

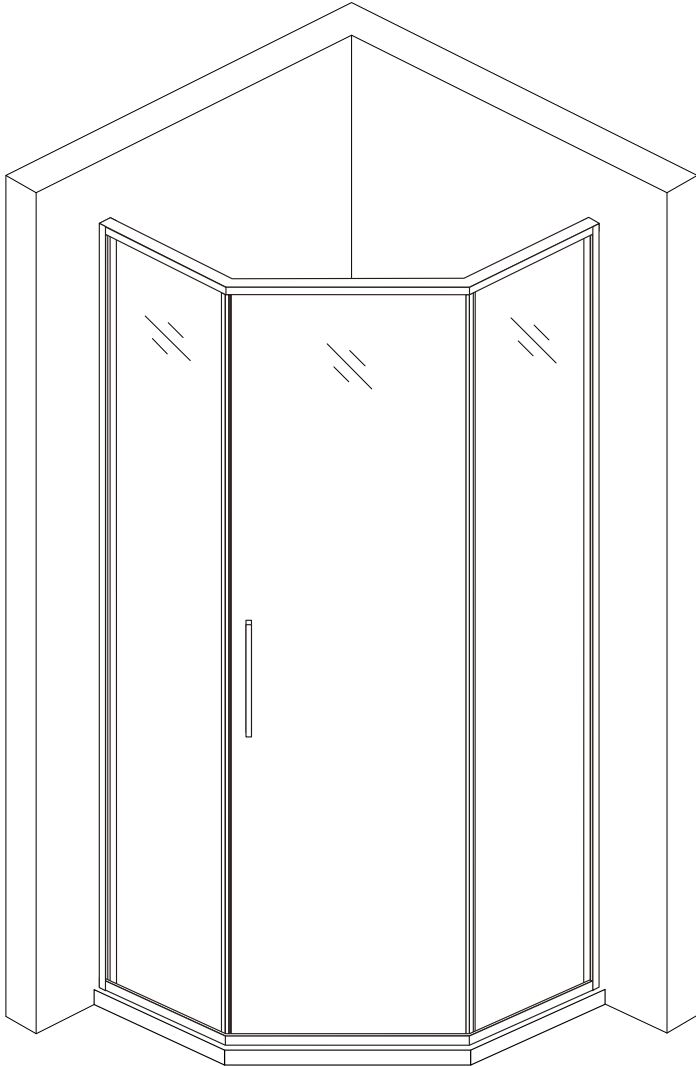


INSTALLATION MANUAL

FOR SHOWER DOOR

INSTALLATION INSTRUCTIONS

Shower Door



SAFETY INFORMATION

CAUTION

Please carefully read the following important safety information before handling or installing this shower door. There is a risk of serious injury while handling this product.

To minimize these risks, please note:

Always wear safety glasses and gloves while handling.

Always follow the installation instructions. Inspect glass for damage before installation.

Extreme caution should be taken while handling the glass during installation as the tempered glass may shatter if in contact with a hard surface.

Do not cut or modify the tempered glass as it will shatter if cut.

Carefully remove product from packaging and keep packaging until installation is complete.

Inspect all parts for damage or missing; If there is damage or part missing to the unit prior to installation, please contact customer service at the number provided in this guide.

Cover the drain with tape to prevent the loss of small parts.

The shower base and finished walls should be installed before beginning the shower door installation.

During the installation, protect the shower floor with a drop cloth to avoid damage. This product should be installed by two people who are familiar with construction requirements. Professional installation is recommended!

Keep this installation manual for future reference.

NOTE: Two people should perform this installation.

NEED TOOLS



Safety Glasses



Silicone Adhesive Sealant



Tape Measure



Rags



Drill Bits



Drill



Screwdriver



Pencil



Hammer



Knife

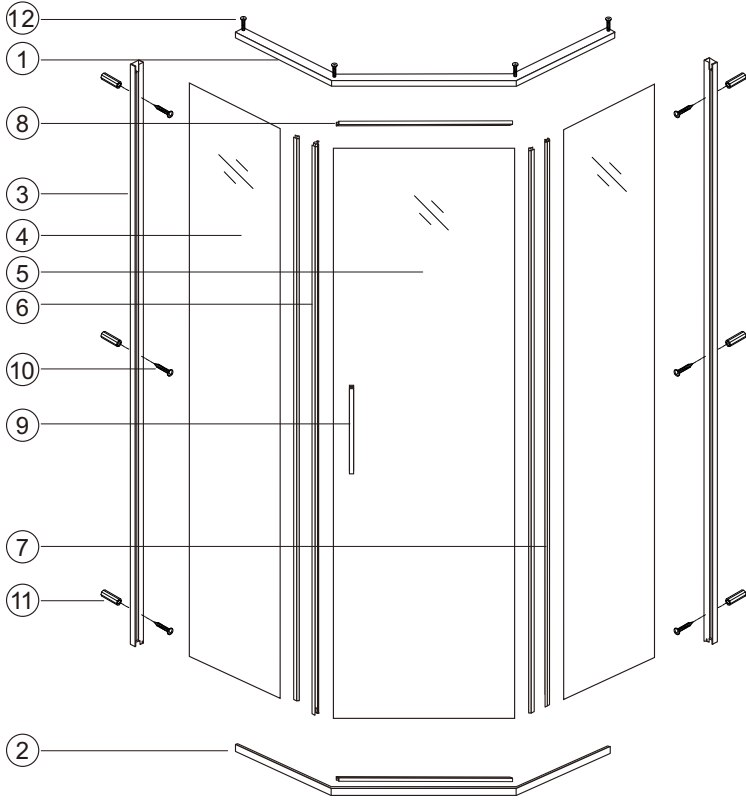






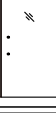





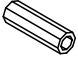
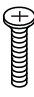

Glove



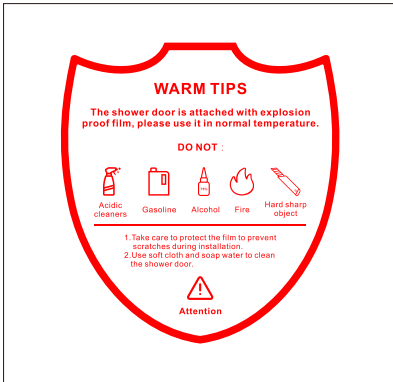
Spirit Level

ESSENTIAL ACCESSORIES LIST

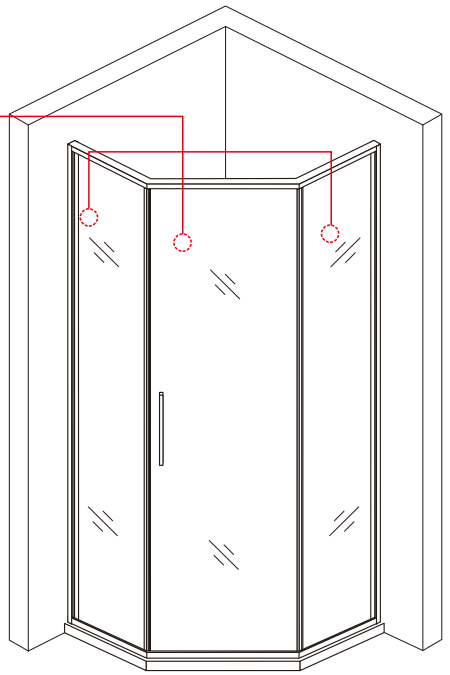


<p>① Top Rail</p>  <p>1Pcs</p>	<p>② Bottom Rail</p>  <p>1Pcs</p>	<p>③ Wall Jamb</p>  <p>2Pcs</p>	<p>④ Fixed Panel</p>  <p>2Pcs</p>	<p>⑤ Glass Door</p>  <p>1Pcs</p>
<p>⑥ Left Anti-Water Profiles</p>  <p>1Pcs</p>	<p>⑦ Right Anti-Water Profiles</p>  <p>1Pcs</p>	<p>⑧ Shower Door Metal Strip</p>  <p>2Pcs</p>	<p>⑨ Handle</p>  <p>2Pcs</p>	<p>⑩ ST4X30 Screw</p>  <p>6Pcs</p>
<p>⑪ Wall Anchor</p>  <p>6Pcs</p>	<p>⑫ Screw</p>  <p>4Pcs</p>	<p>⑬ Wrench</p>  <p>4Pcs</p>		

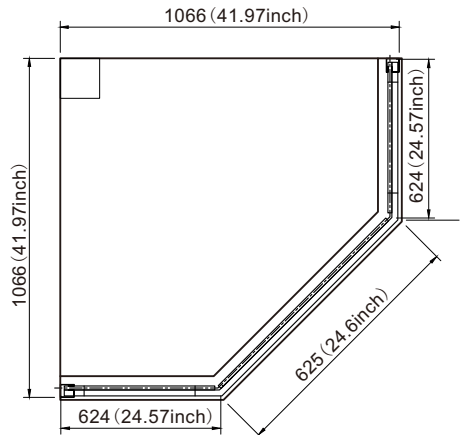
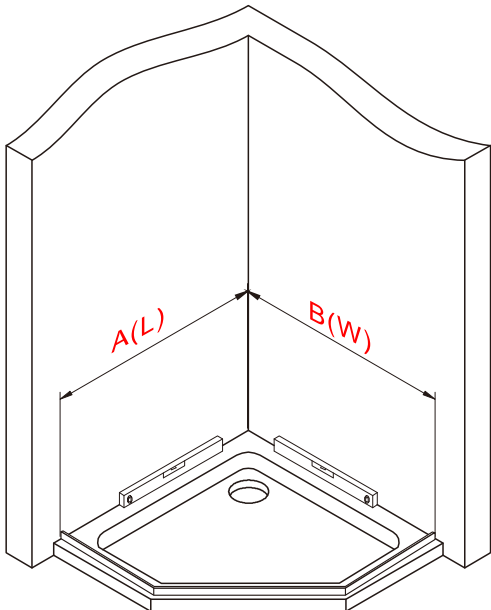
NOTE: Inspect all parts for missing prior to installation! Contact us for any part missing.



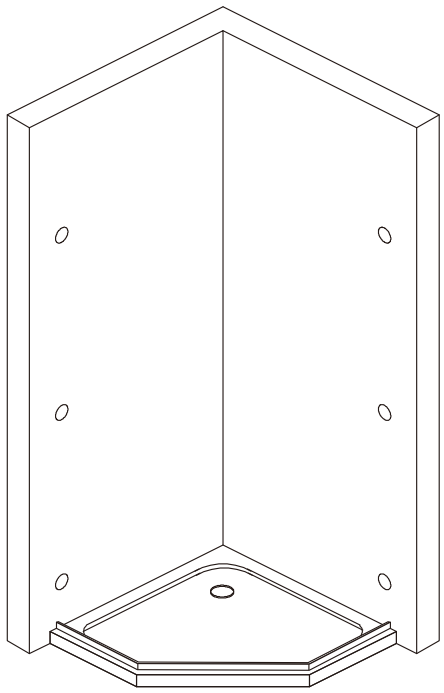
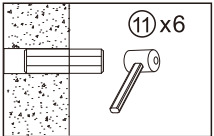
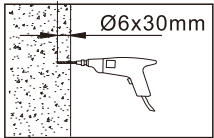
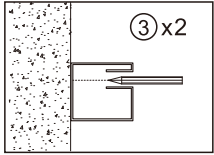
NOTE: Our shower door is affixed with explosion-proof film. Please install the side with the explosion-proof film prompt inside the shower room.



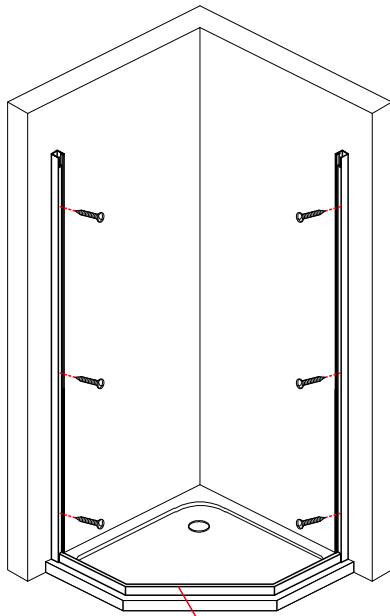
Step 1: Place the Bottom Rail (②x1) on the floor, use the level to make sure the floor is flat and measure dimensions



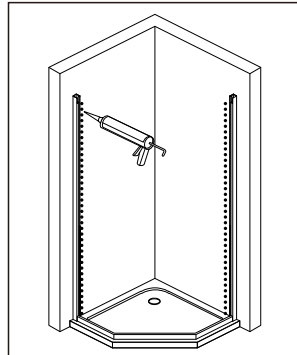
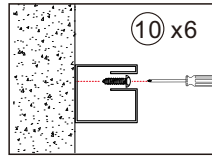
Step2:Place the wall jamb on the wall and mark the wall with hole positions on the jamb. Then,drill the holes and Insert the wall anchors.



Step 3: Place the wall jamb (③x2) onto the wall and use a screwdriver to tighten the ST4X30 Screw (⑩x6) into the wall anchors (■x6) to fix the wall jamb.

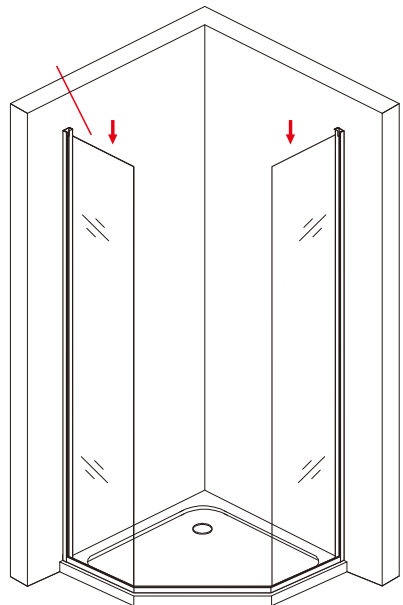
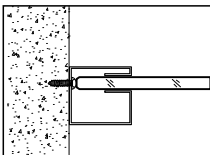
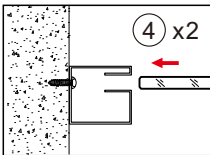


② x1

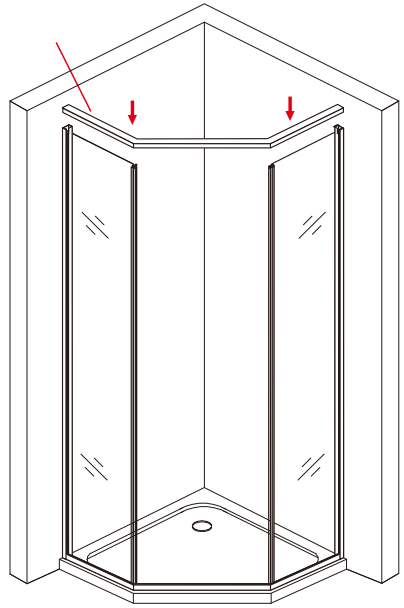
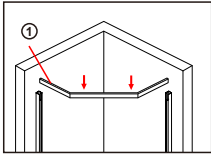


Apply silicone between the wall jamb and the wall.

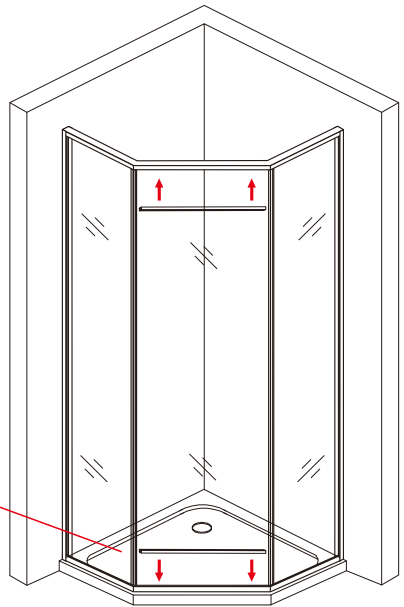
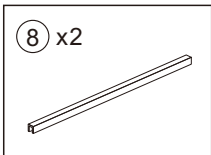
Step 4: Insert the Fixed Panel (④x2) into the wall jamba.



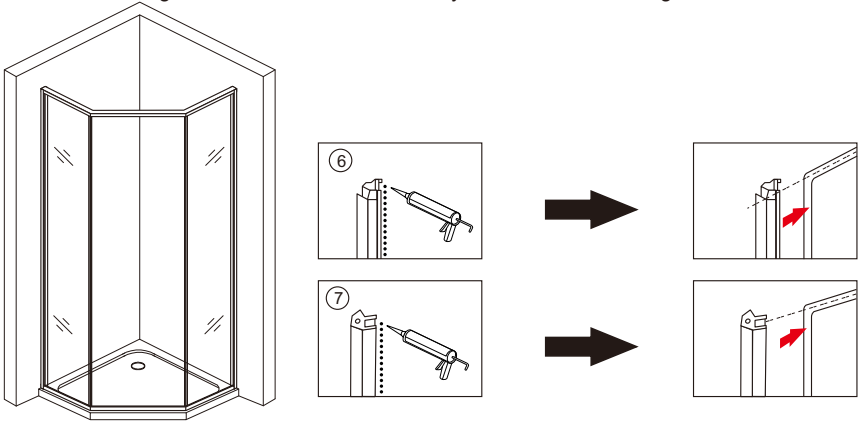
Step 5: Insert the Top Rail (①x1) into the Fixed Panels and Wall Jamb.



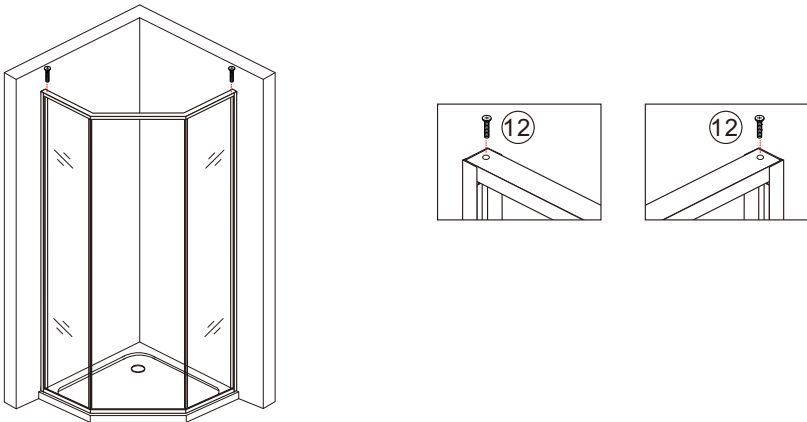
Step 6: Insert the Shower Door Metal Strip (⑧x2) into the grooves of the Top and Bottom Rails (①, ②x1).



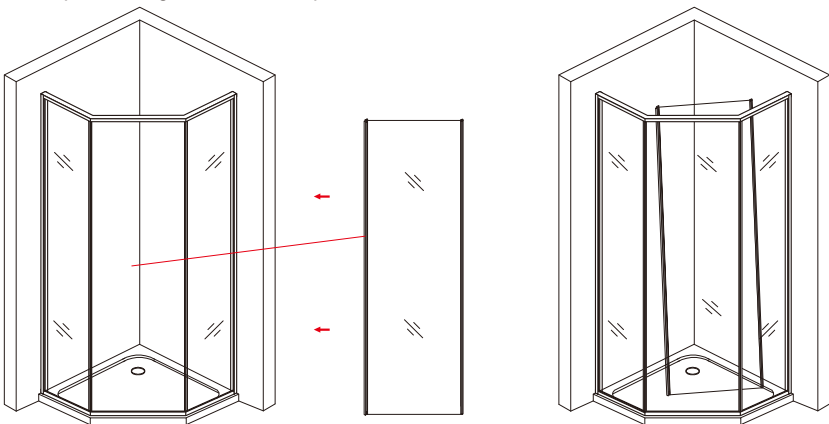
Step 7: Apply the silicone on the groove of the Left & Right Anti-Water Profiles (⑥, ⑦x1). Insert the Left & Right Anti-Water Profiles into the Fixed Panel. Note: Left Anti-Water Profiles can only be installed on the left, Right Anti-Water Profiles can only be installed on the right.



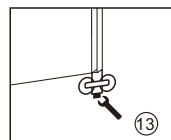
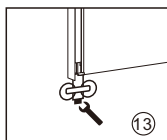
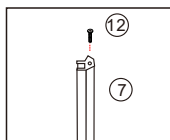
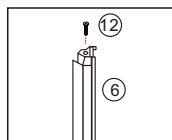
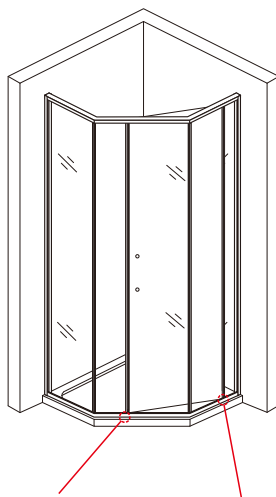
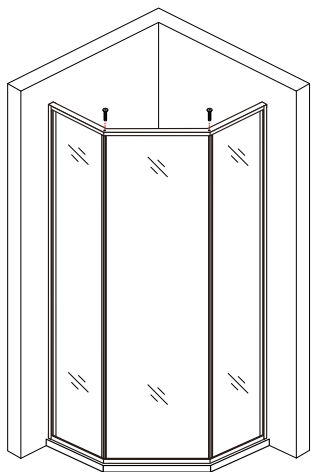
Step 8: Insert the ST4X30 Screws (⑫ x2) into the screw holes at each end of the Top Rail (①x1) and tighten them to lock the Top Rail.



Step 9: Insert the Glass Door (⑤ x1) into the grooves of the Top and Bottom Rails (①, ② x1). First, place the bottom of the Glass Door into the groove of the Bottom Rail, lift the Top Rail slightly, and insert its top into the groove of the Top Rail.

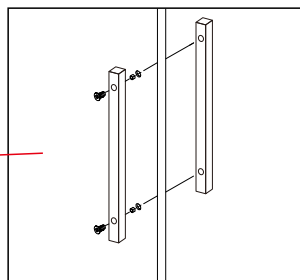
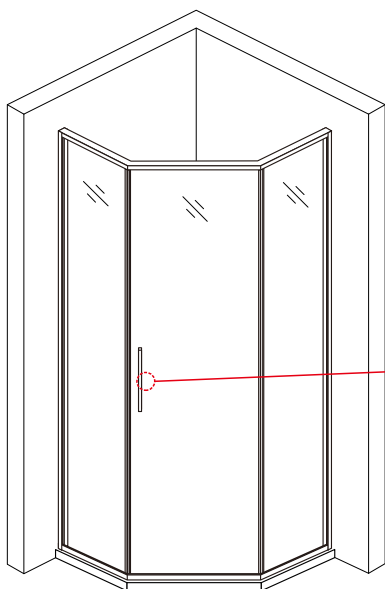


Step 10: Insert the ST4X30 Screws (12)x2) into the screw holes at middle of the Top Rail (1)x1) and tighten them to lock the Top Rail.

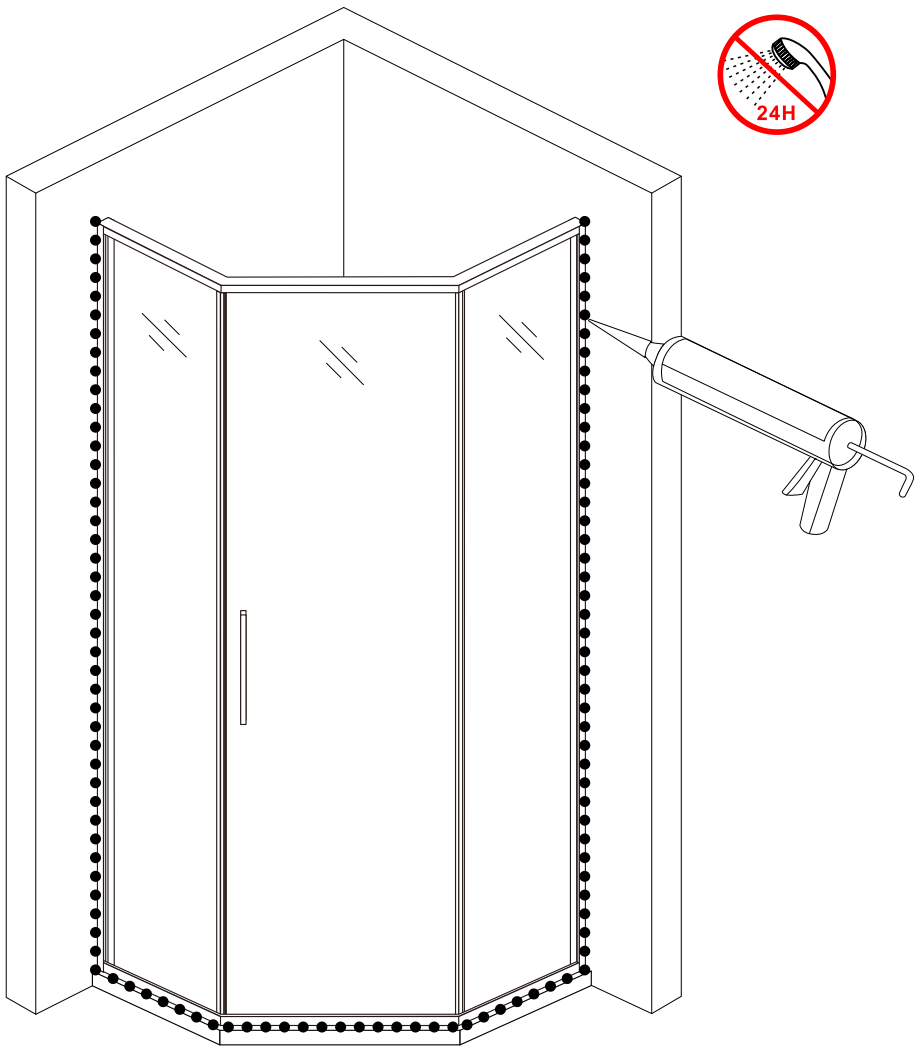


Use Wrench to adjust Glass Door height.

Step 11: Use the Allen wrench to lock the Handle(9)x1) together.



Step 12: Sealing.



SHOWER DOOR MAINTENANCE MANUAL

Cleaning:

1. When cleaning the frame, glass and hardware accessories of the shower door, please use a soft cloth. If there is slight dirt, please use a soft cloth or sponge dipped in "neutral detergent" for cleaning. After removing the stubborn dirt, please rinse with plenty of water to prevent the cleaning agent from remaining on the surface of the shower door and causing corrosion damage.
2. When using the special detergent and cleaning agent for bathroom, please be sure to use it correctly according to the precautions described in the detergent. Incorrect use will cause the product to have some bad conditions, such as paint peeling, color fading, rust, tarnishing, etc.
3. Do not use the following items for cleaning: acid, alkaline solvents, medicines (such as hydrochloric acid), solvents containing bleach, acetone diluent, detergent powder, toilet cleaner, etc, otherwise the product will be damaged. There are some bad conditions, such as paint peeling, discoloration, rust, tarnishing, etc.
4. The cleaning items that can be used for the product are: soft cloth, toothbrush, neutral detergent, a mixture of diluted vinegar and salt. Note: any cleaning agent will have a certain impact on the surface of the product, so use caution. Rinse with clean water in time to prevent damage to the surface caused by the residual detergent.

How to use and maintain the pulley of the shower door:

1. Avoid hitting the movable door with force, so as not to cause the movable door to fall off.
2. Pay attention to regularly clean the slide rails, pulleys and sliders, and add lubricant (lubricating oil or lubricating wax).
3. Regularly adjust the fixing screws of the pulley to ensure the effective bearing and good sliding of the pulley on the movable door.

Maintenance of tempered glass:

1. Do not hit or hit the glass surface with sharp objects to avoid damage.
2. Do not wipe the glass surface with rough objects to avoid scratches.
3. After using for a period of time, the glass will remain dirt, remove the dirt on the glass. you can use a mixture of cool and salt to wash with a toothbrush, you can remove the stains. Pay attention to rinse with clean water in time after use.

THANK YOU FOR SHOPPING WITH US!



Email: servicefast1@outlook.com

**PLEASE DO NOT RETURN TO STORE!
PLEASE CHECK ALL THE ACCESSORIES
BEFORE INSTALLATION.**

Tips: If there is any questions for the products, please feel free to contact us. We will solve it at the first time.

For quick and better to solve problem for you, Required information is a MUST:

1. Where you buy
2. PO Number/Tracking number
3. SKU Number
4. Problem to Clarify
5. Picture/Video