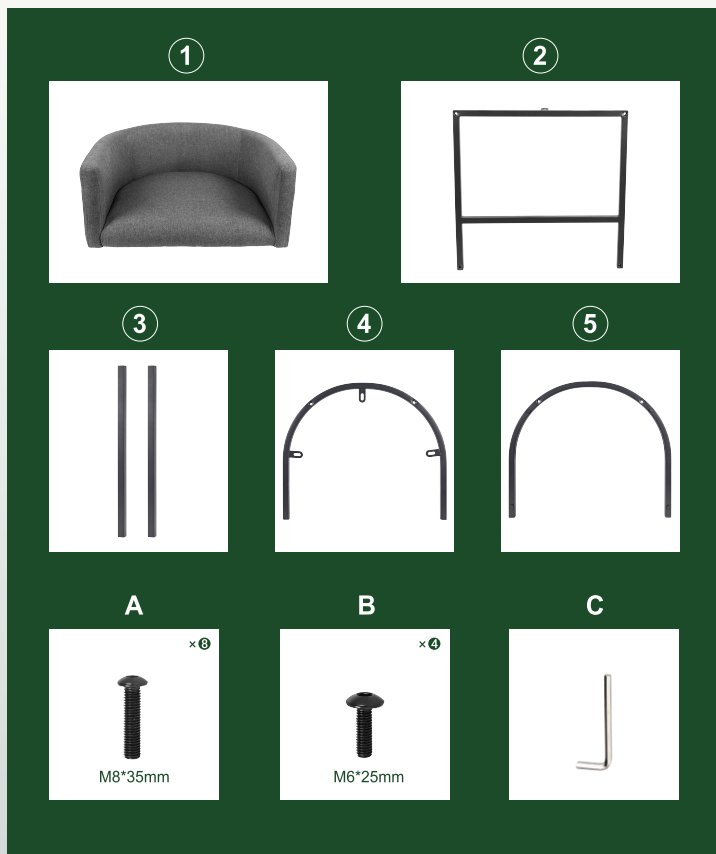


## ⚠ WARNING

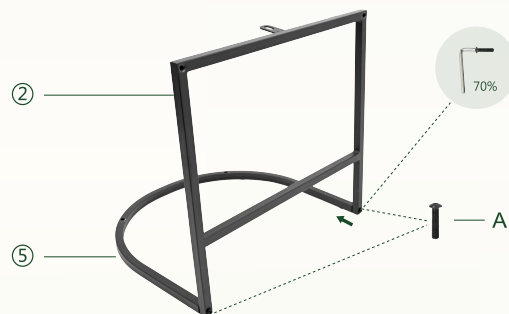
- Read and understand all instructions. Failure to follow all instructions listed below, may result in product damage.
- Before assembly, check all components in the package. Make sure you have hard-wares for operation.
- Please keep your personal property away during the installation to avoid any damage.

The following display shows the components of one chair.



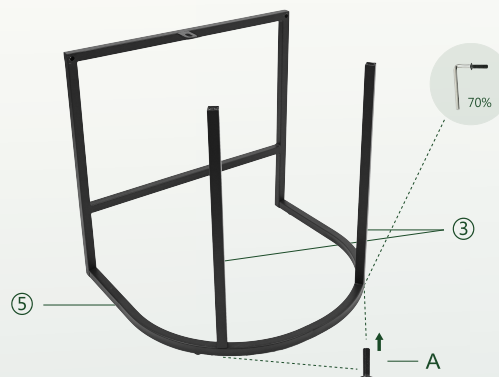
### 1

Attach ② to ⑤ with bolts (A). Tighten the two bolts (A) to approximately 70% with Allen key (C).



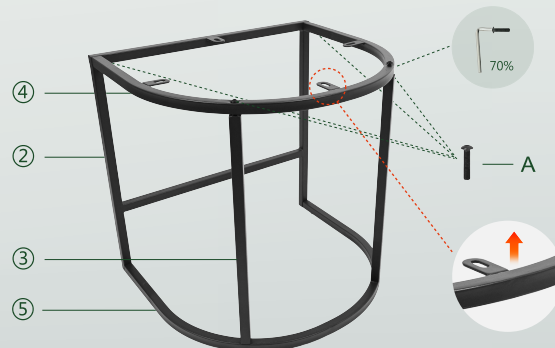
### 2

Attach ③ to ⑤ with bolts (A). Tighten both bolts (A) to around 70% with Allen key (C).



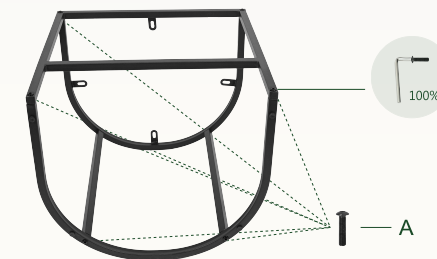
### 3

Attach the ④ to the ② and ③ using bolts(A), ensuring that the holes on pieces ③ and ④ align flat and straight, and holes in pieces ③ and ② align flush too. Tighten the four bolts (A) to approximately 70% with Allen key (C).



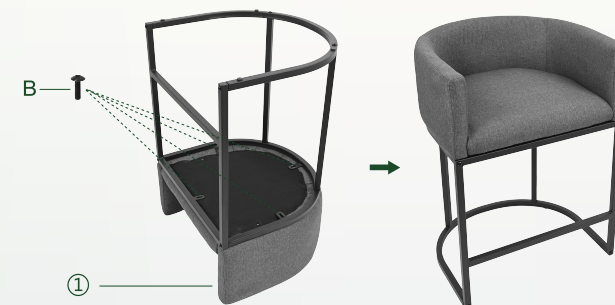
### 4

Tighten up all screws (A), ensuring the base is stable.



### 5

Flip over the seat cushion ① and firmly attach the assembled base to it. Ensure that the base and seat holes are perfectly aligned. Tighten up all the four bolts (B) with Allen key (C)



### MAINTENANCE INSTRUCTION

Clean with a dry cloth, wipe with neutral detergent for seat cushions.

**FRAME:** Wipe with a semi-dry cloth. do not use bleach to clean the frame, and avoid contact of hardware parts with water to prevent rust and prolong the product's lifespan.

**DO NOT USE** the product when it is unsafe for sitting.

### CUSTOMER SERVICE INFO

If you have any product related problems during your assembly or use, we will provide faithful solutions for you.

#### Contact US

Email: [vatros.service@gmail.com](mailto:vatros.service@gmail.com)



Video of installation