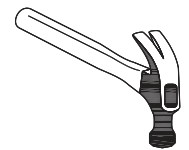
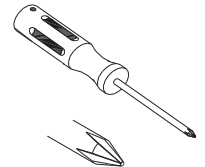
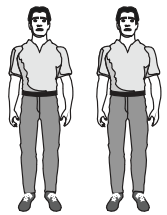


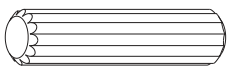
ASSEMBLY INSTRUCTIONS



00:45 Hs



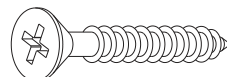
HARDWARE INCLUDED



A - 8,0x25 Wood Dowel
Qty. 26



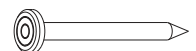
B - 4,0x30 Screw
Qty. 29



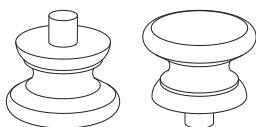
C - 3,5x30 Screw
Qty. 12



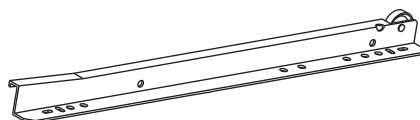
D - 3,5x14 Screw
Qty. 26



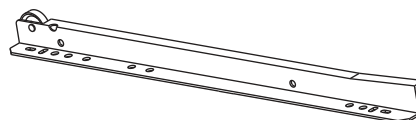
E - 10x10 Nail
Qty. 18



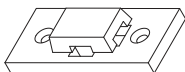
F - Door Knob
Qty. 03



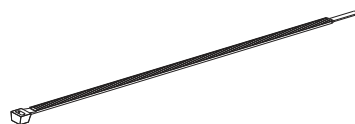
G - Slide Left 350mm
Qty. 03



H - Slide Right 350mm
Qty. 03



I - Plastic wall bracket
Qty. 02

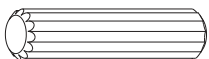
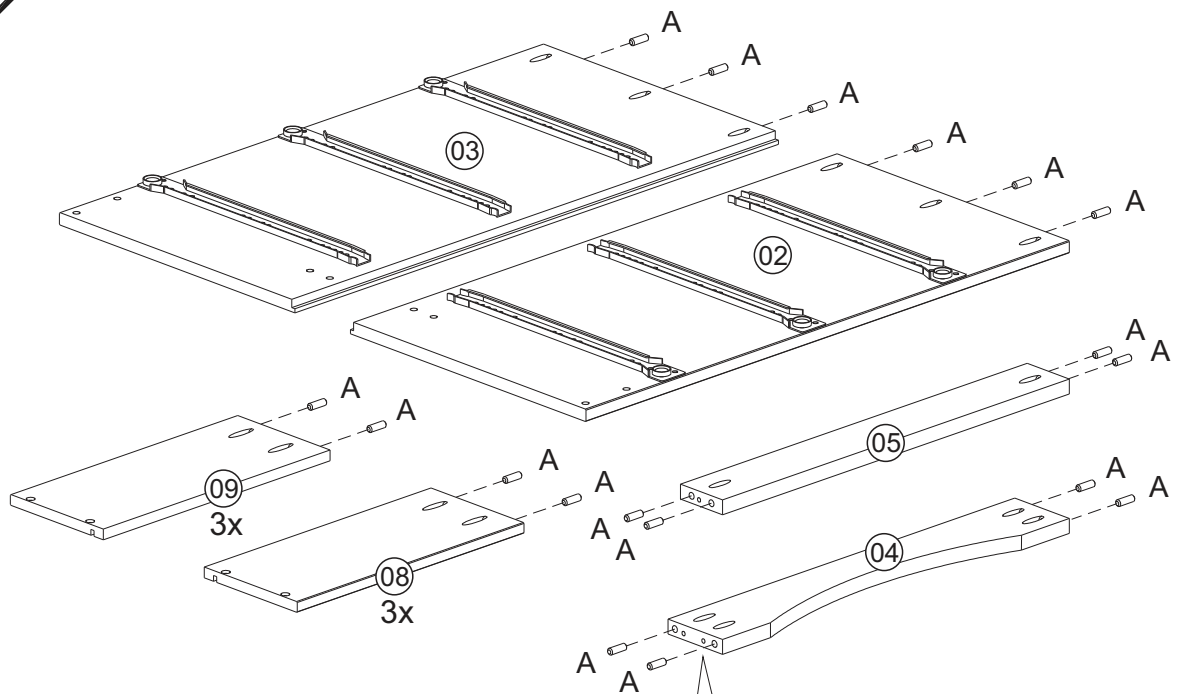
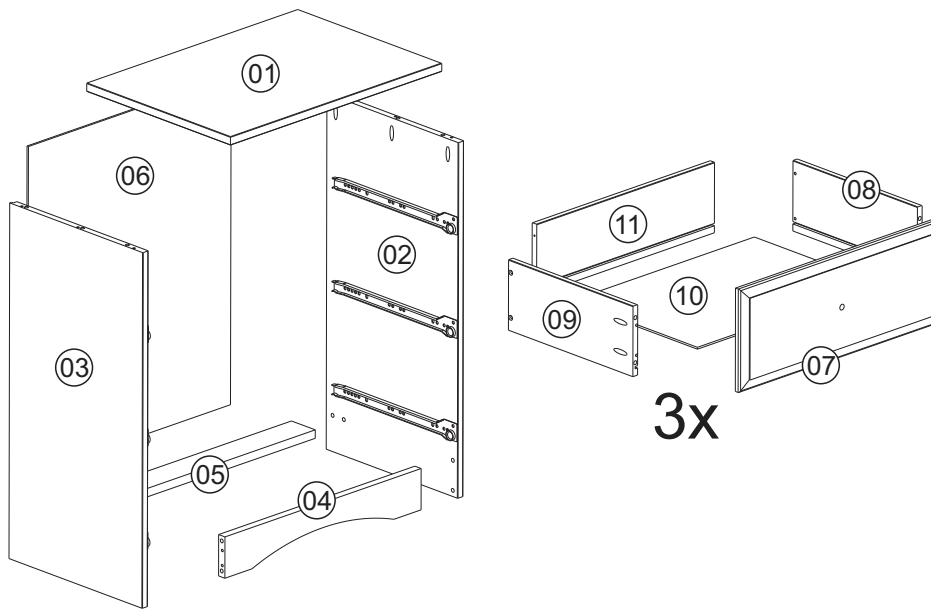


J - Nylon strap 140mm
Qty. 01



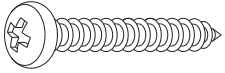
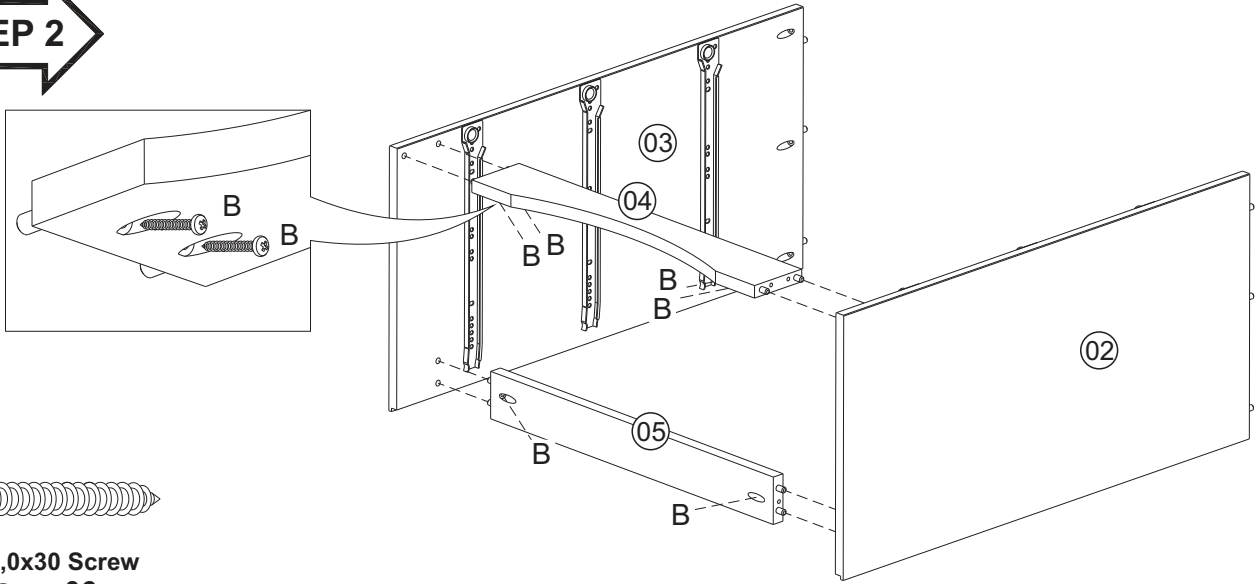
K - Plastic screw anchor 6mm
Qty. 02

PARTS INCLUDED



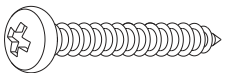
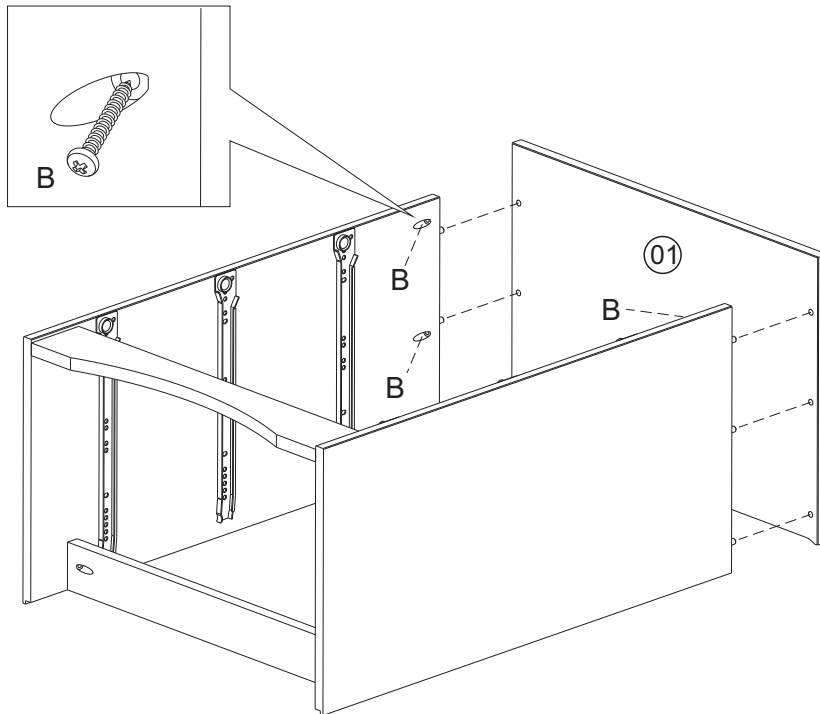
A - 8,0x25 Wood Dowel
Qty. 26

STEP 2



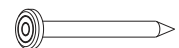
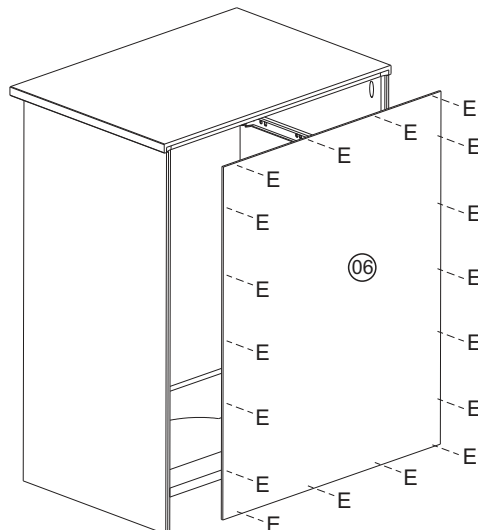
B - 4,0x30 Screw
Qty. 06

STEP 3



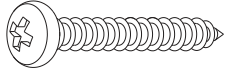
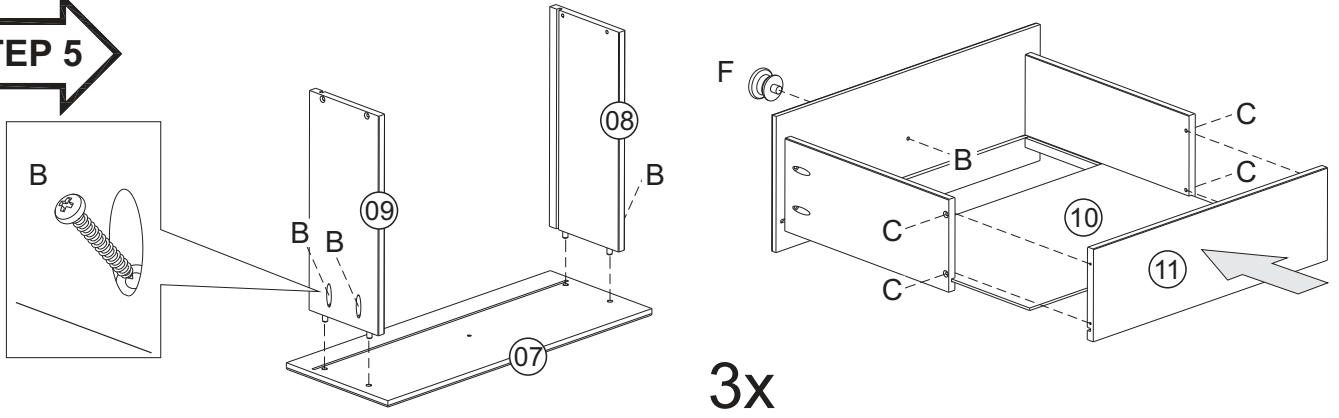
B - 4,0x30 Screw
Qty. 06

STEP 4

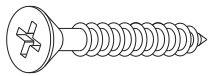


E - 10x10 Nail
Qty. 18

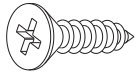
STEP 5



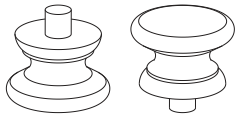
B - 4,0x30 Screw
Qty. 15



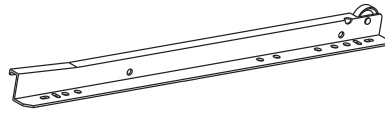
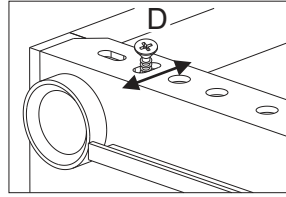
C - 3,5x30 Screw
Qty. 12



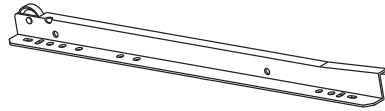
D - 3,5x14 Screw
Qty. 12



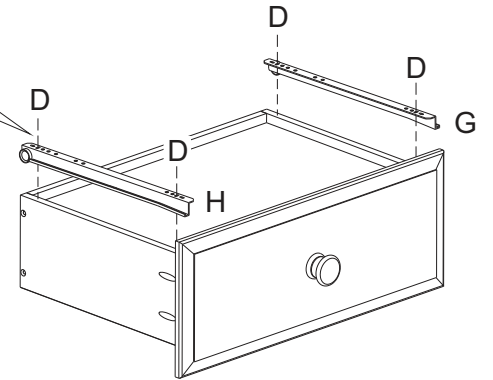
F - Door Knob
Qty. 03



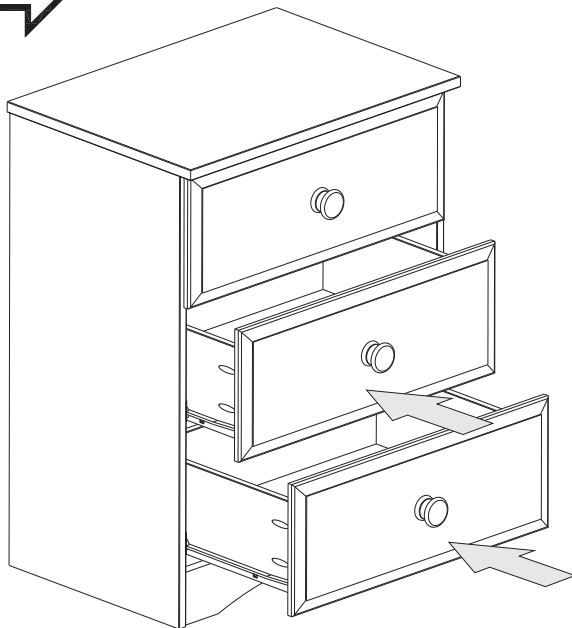
G - Slide Left 350mm
Qty. 03



H - Slide Right 350mm
Qty. 03



STEP 6

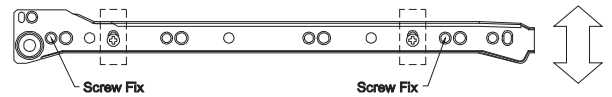


Drawer Glide Adjustments:

The metal drawer glides are designed to allow for slight adjustments vertically and horizontally, if necessary.

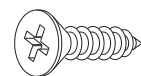
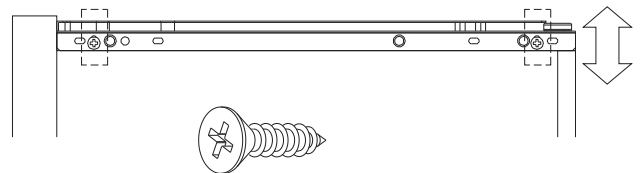
Horizontal Glide Adjustment:

Remove drawer from chest. Loosen screws indicated on side of metal track. Make needed space adjustment and re-tighten screws and add 2 additional screws in holes as indicated in diagram below:

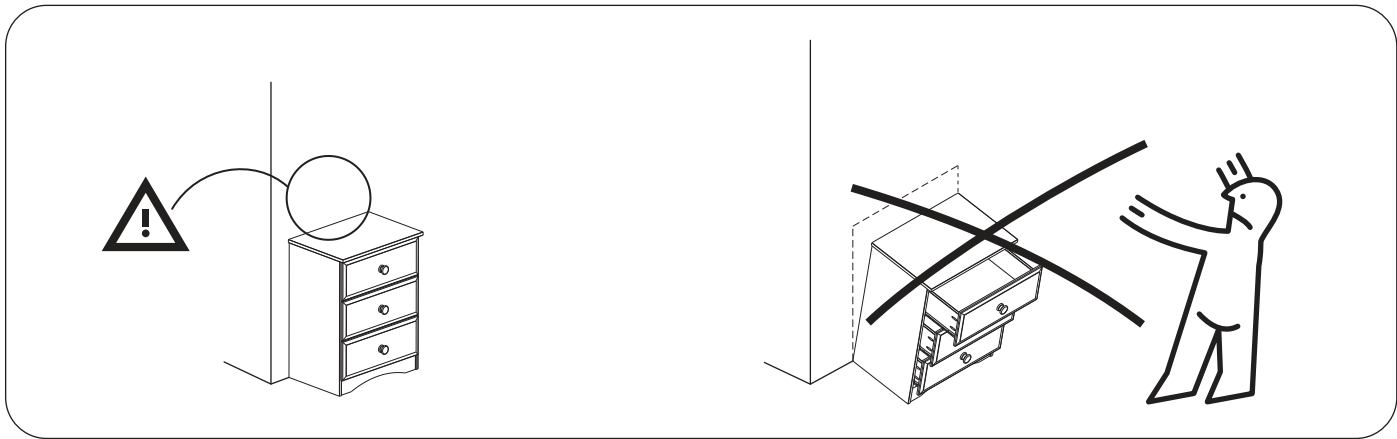


Vertical Glide Adjustment:

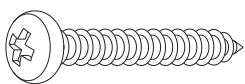
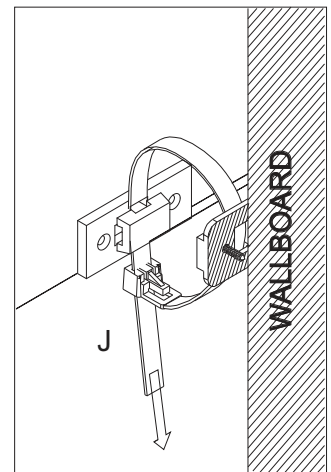
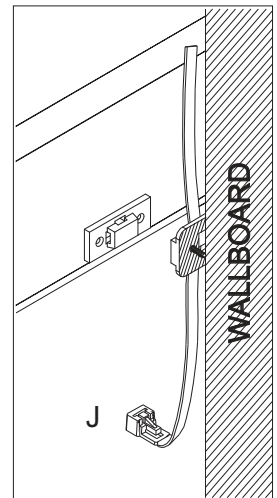
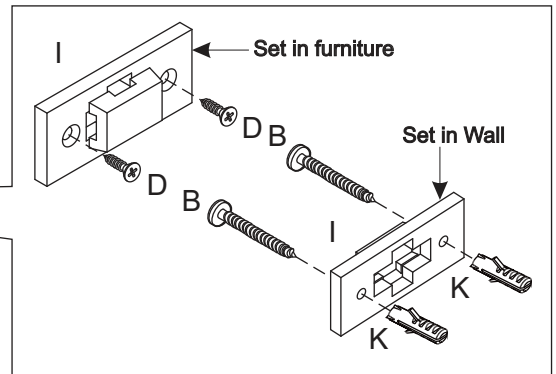
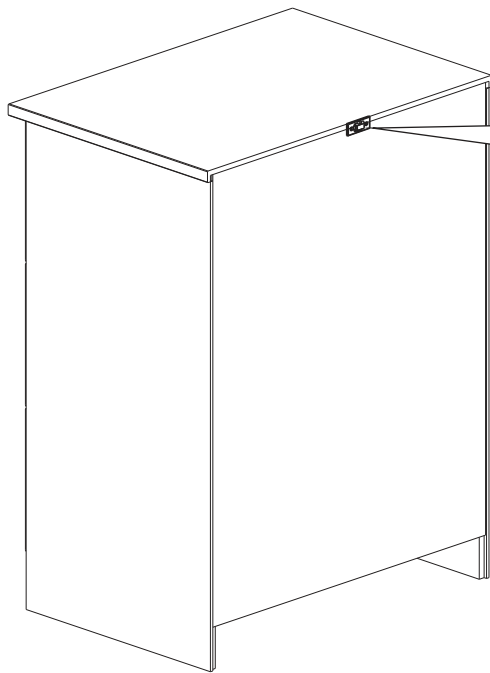
Remove drawer from chest. Loosen Screws on underside of metal track. Make needed space adjustment and re-tighten screws as indicated in diagram below:



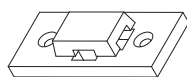
D - 3,5x14 Screw
Qty. 12



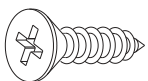
Anti-Tip Kit



B - 4,0x30 Screw
Qty. 02



I - Plastic wall bracket
Qty. 02



D - 3,5x14 Screw
Qty. 02



J - Nylon strap 140mm
Qty. 01



K - Plastic screw anchor 6mm
Qty. 02