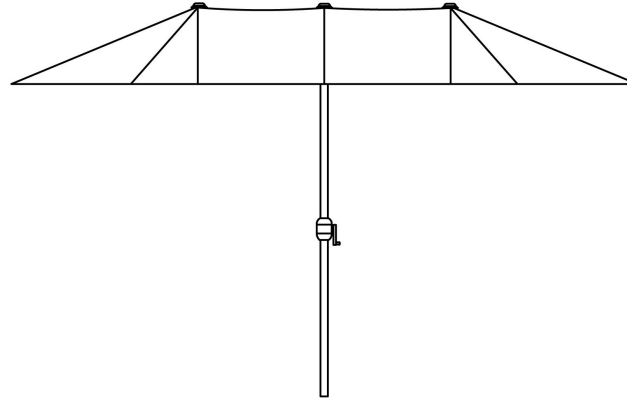


Thanks for choosing our product, kindly check parts listed below and read this manual very carefully, then assemble them step by step, please feel free to contact us for any questions.



A

1

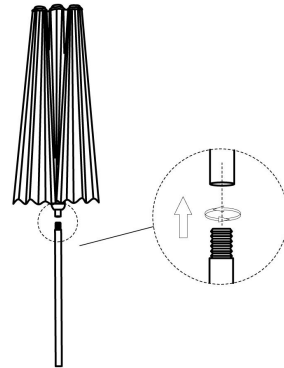


B

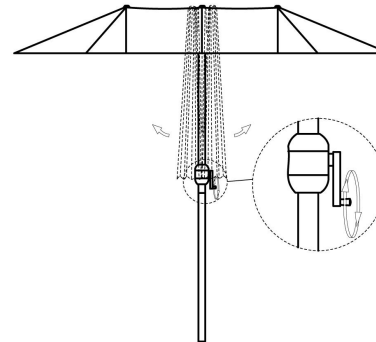
1



STEP 01:



STEP 02:



Attention

1. To clean your canopy, use only mild liquid soap and water, and a soft sponge to loosen and dirt. Never use bleach or leaning solvents as it will discolor your canopy. Use a mild soap and cloth to clean your aluminum or steel frame.
2. Allow umbrella to dry naturally in open position.
3. It is always recommended that an umbrella cover be used when not in use, as prolonged exposure to the sun's rays will eventually cause canopy fading or discoloring.
4. We recommend that this product be closed and secured during high winds and heavy rainy conditions.