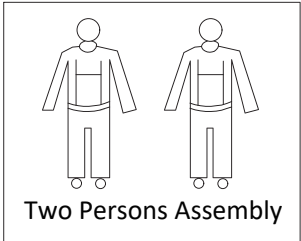
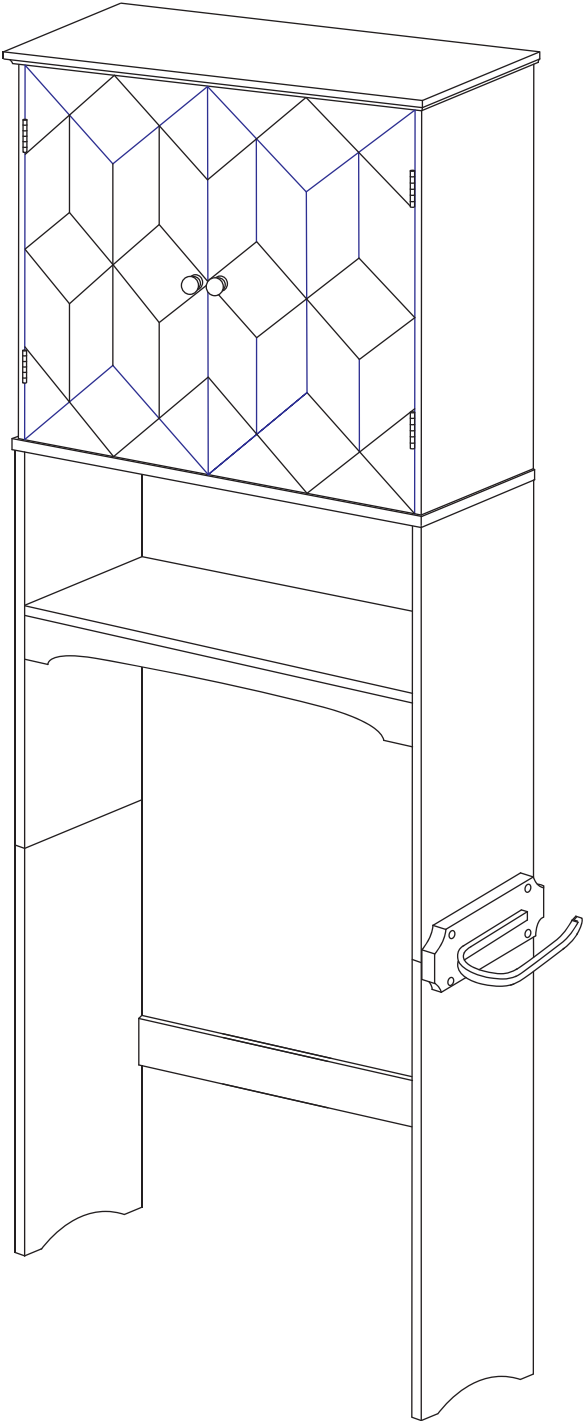
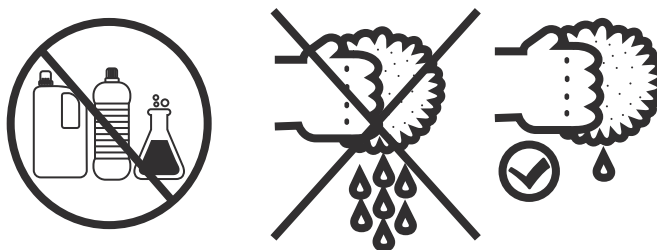
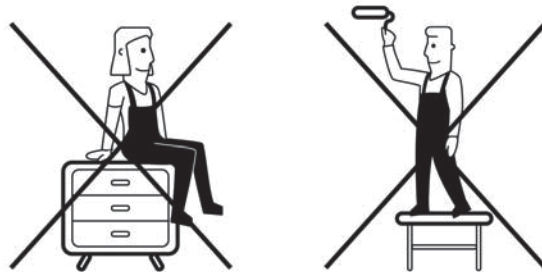
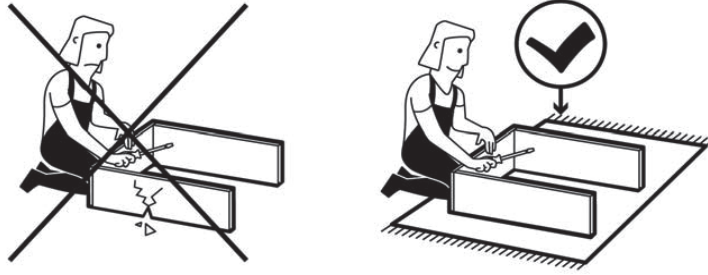
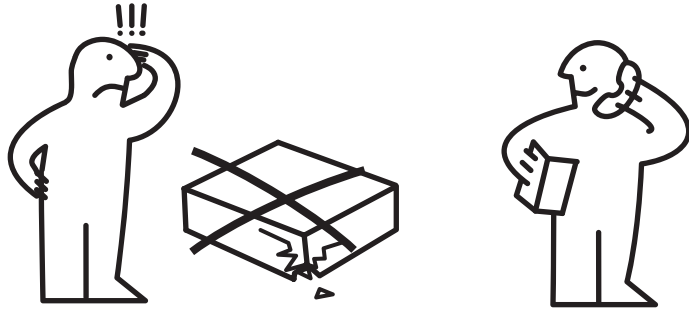
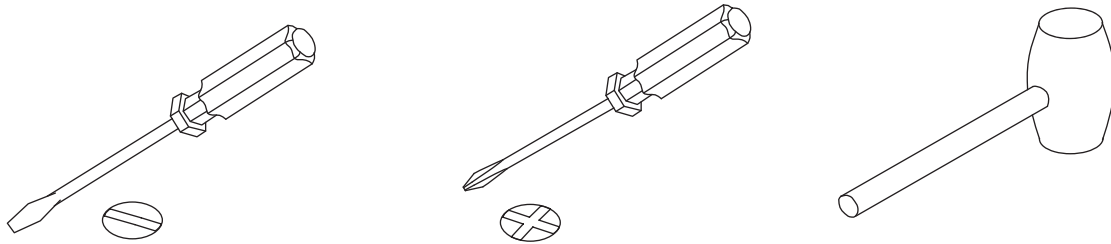


ASSEMBLY INSTRUCTIONS



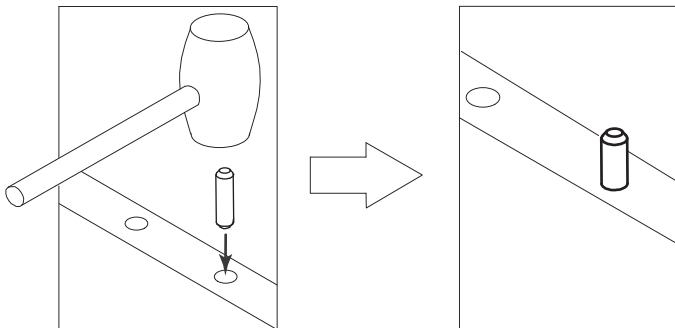


ASSEMBLY TOOLS REQUIRED (NOT INCLUDED)



- * Before discarding packing materials, please check all parts and hardware are presented.
- * Please follow the instructions closely.
- * After few days of initial assembly, the product may have acclimated to new environment, please tighten all hardware again.

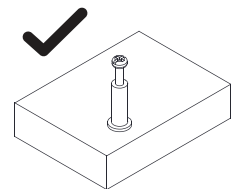
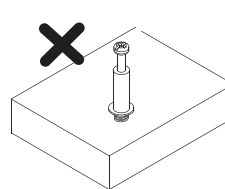
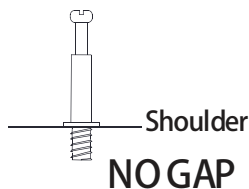
Dowel Installation



Gently tap dowel into hole with rubber mallet.

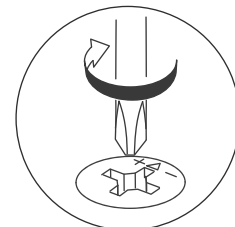
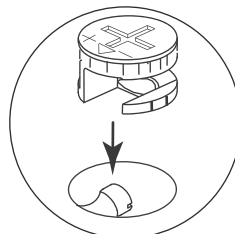
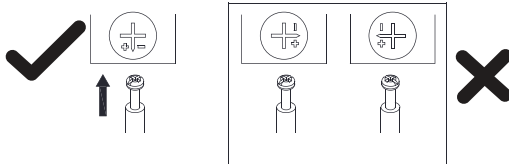
CAM-LOCK

Tighten until shoulder is flush with panel. Do not over-tighten or under-tighten

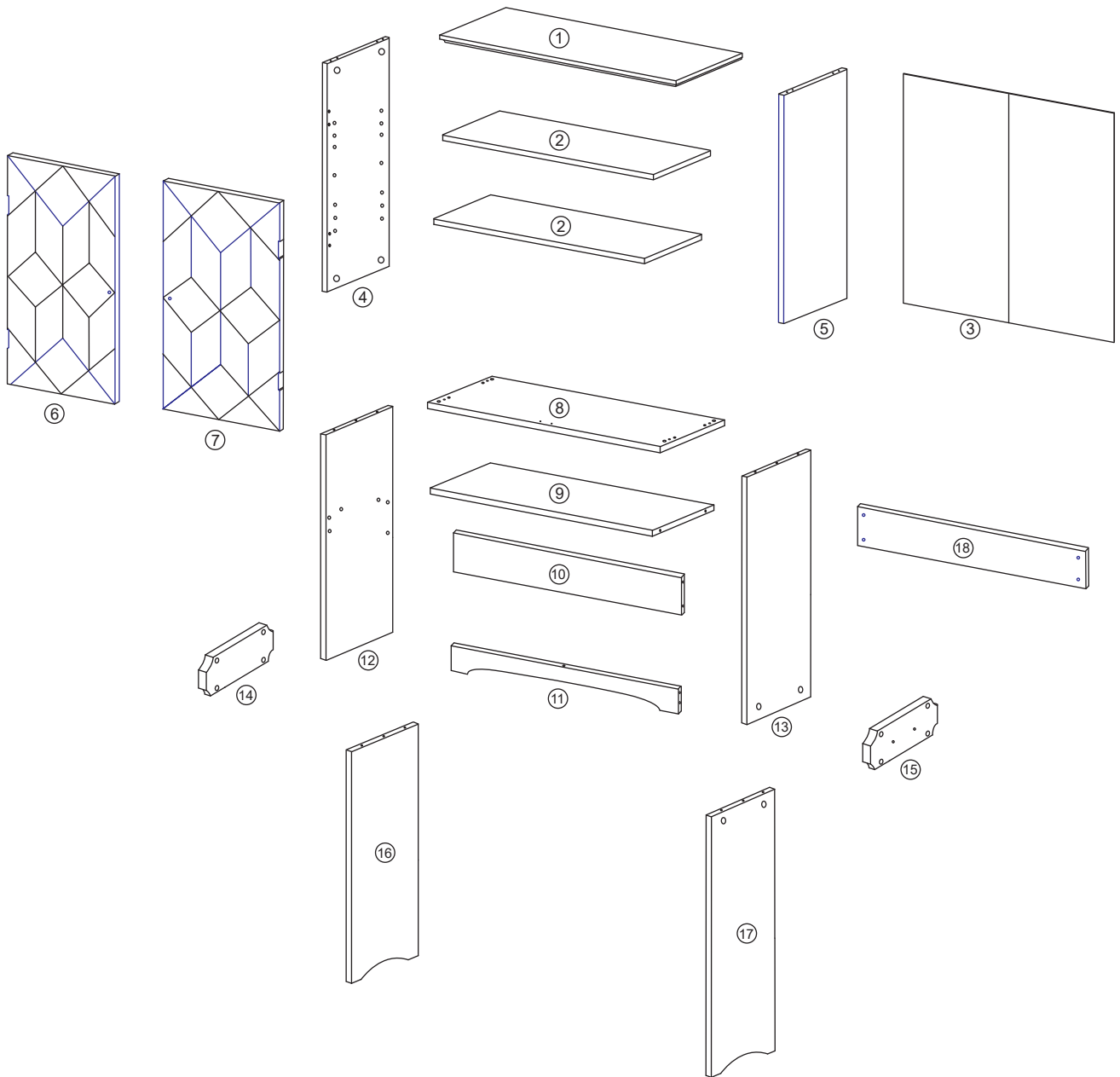


WHEN FITTING CAMS

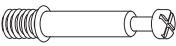
ENSURE STARTING POSITION IS CORRECT BEFORE YOU INSERT CONNECTING CAM-PILLAR. TURN CLOCKWISE UNTIL SECURE




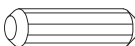
Laying out all the parts and hardware and identifying each part as shown below. It may help you when you assemble the item.





① ×1	② ×2	③ ×1	④ ×1	⑤ ×1	⑥ ×1
⑦ ×1	⑧ ×1	⑨ ×1	⑩ ×1	⑪ ×1	⑫ ×1
⑬ ×1	⑭ ×1	⑮ ×1	⑰ ×1	⑱ ×1	⑲ ×1

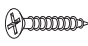
A	x18+2(Spare)
	
ø6×27mm	

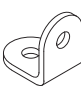
B	x18+2(Spare)
	
ø15×9.5mm	


C	x20+2(Spare)
	
ø6×30mm	

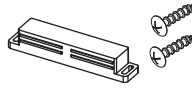
D	x8+1(Spare)
	
FA3×12mm	

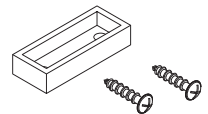
E	x4+1(Spare)
	
FA4×35mm	

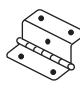
F	x4+1(Spare)
	
FA3×14mm	

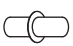
G	x4
	

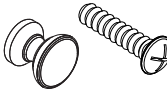
H	x20+2(Spare)
	
FA3×10mm	

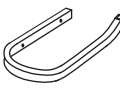
I	x1
	
FA3×16mm	


J	x1
	
FA3×12mm	


K	x4
	


L	x8+1(Spare)
	
5×8/5×8mm	

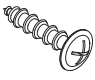
M	x2
	
M4×16mm	


N	x1
	

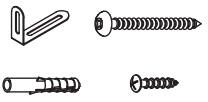
O	x2+1(Spare)
	
FA4×20mm	

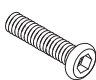
P	x2
	
FA3×12mm	

Q	x2
	

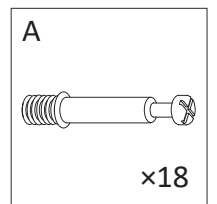
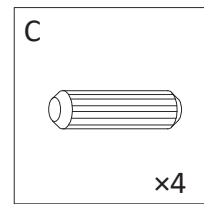
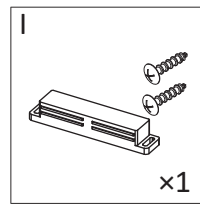
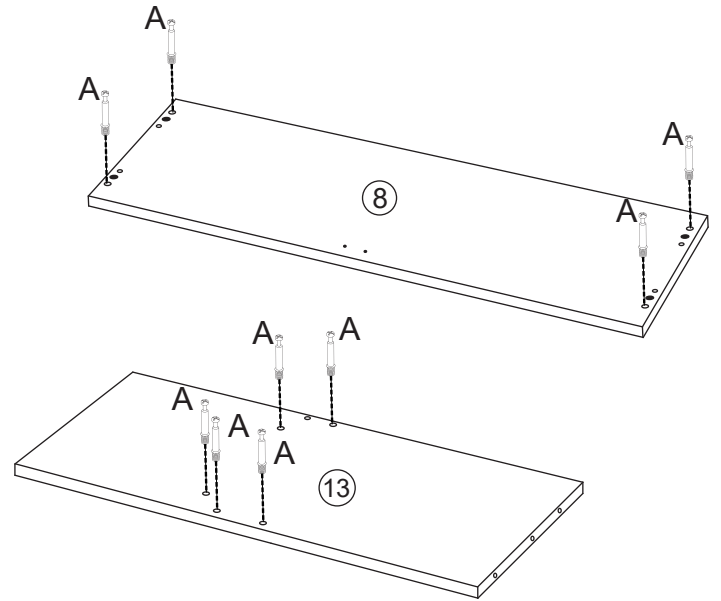
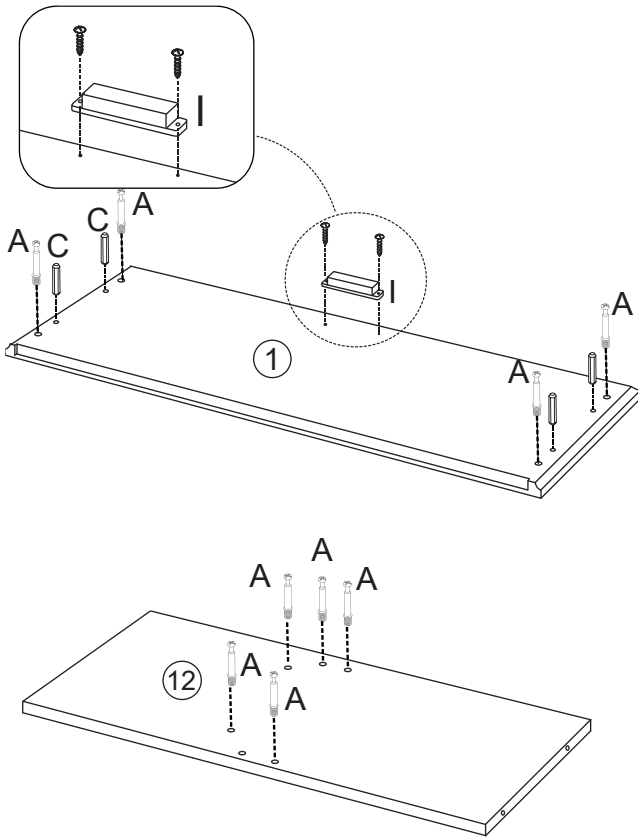
R	x14+1(Spare)
	
FA3×12mm	

S	x1
	
M4	

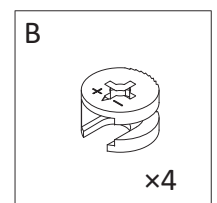
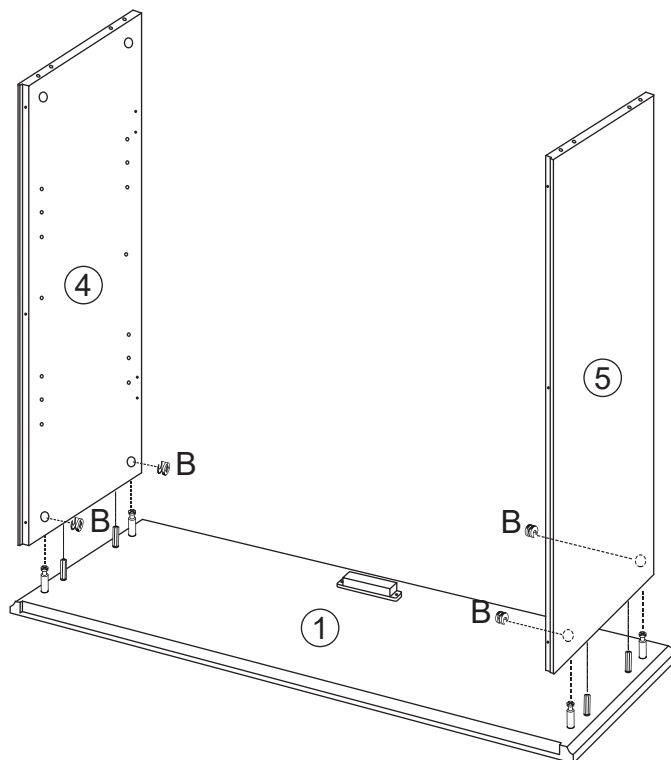
T	x2
	
FA4×40mm/4×12mm	

U	x8+1(Spare)
	
M6×22mm	

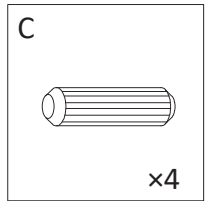
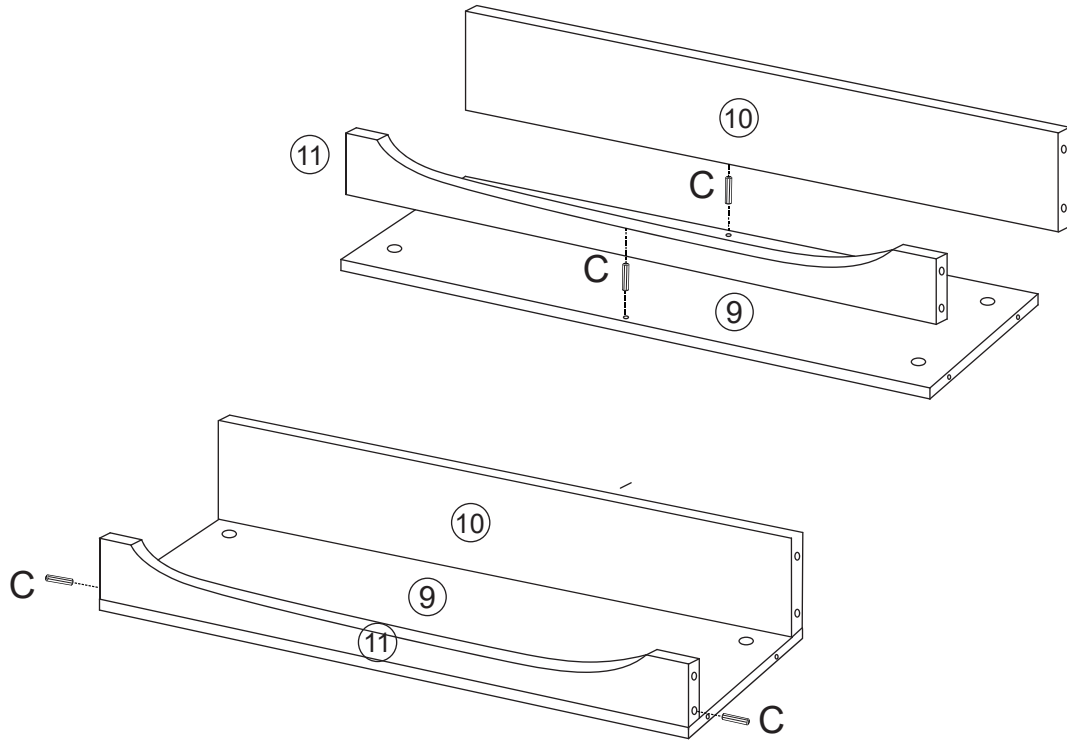
1



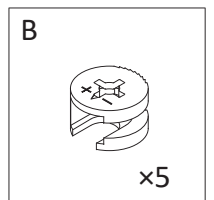
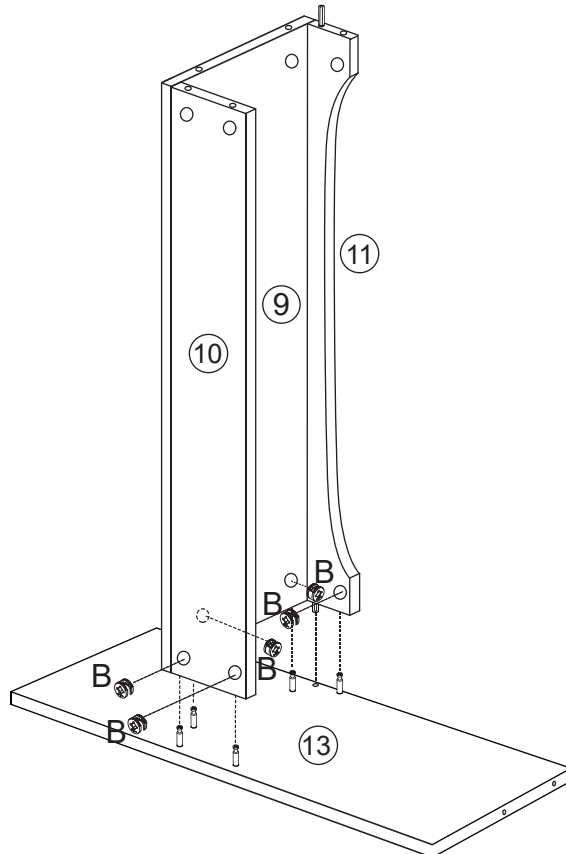
2



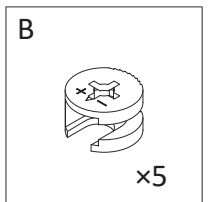
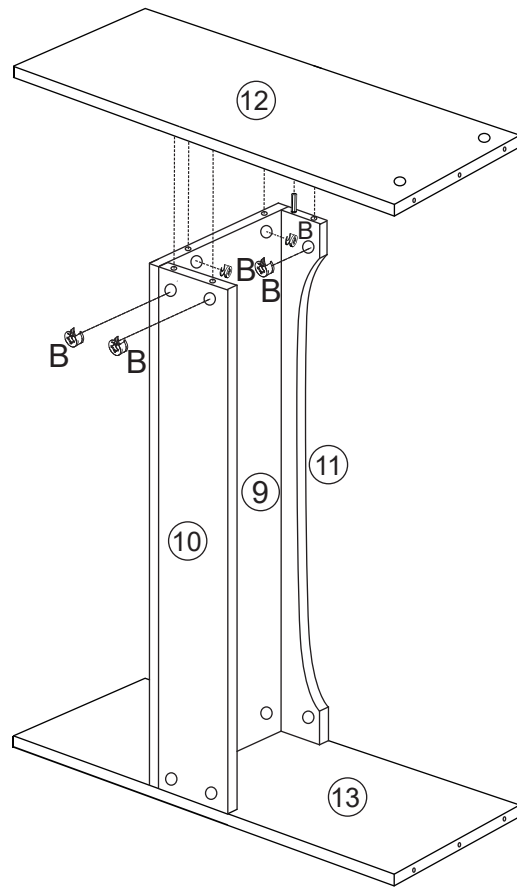
3



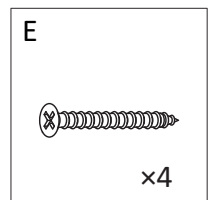
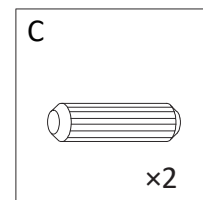
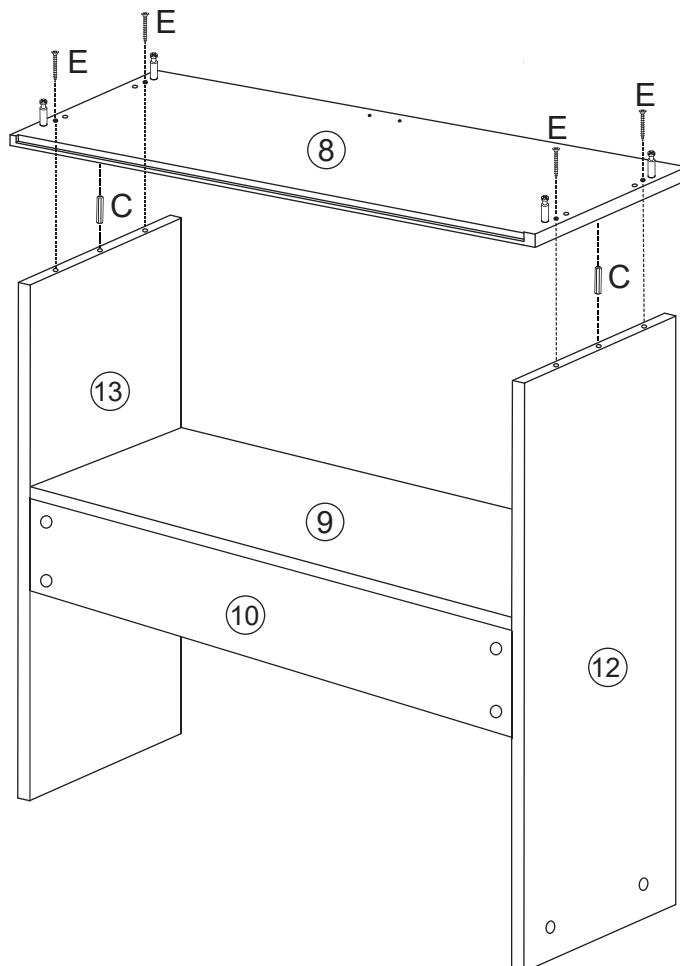
4



5

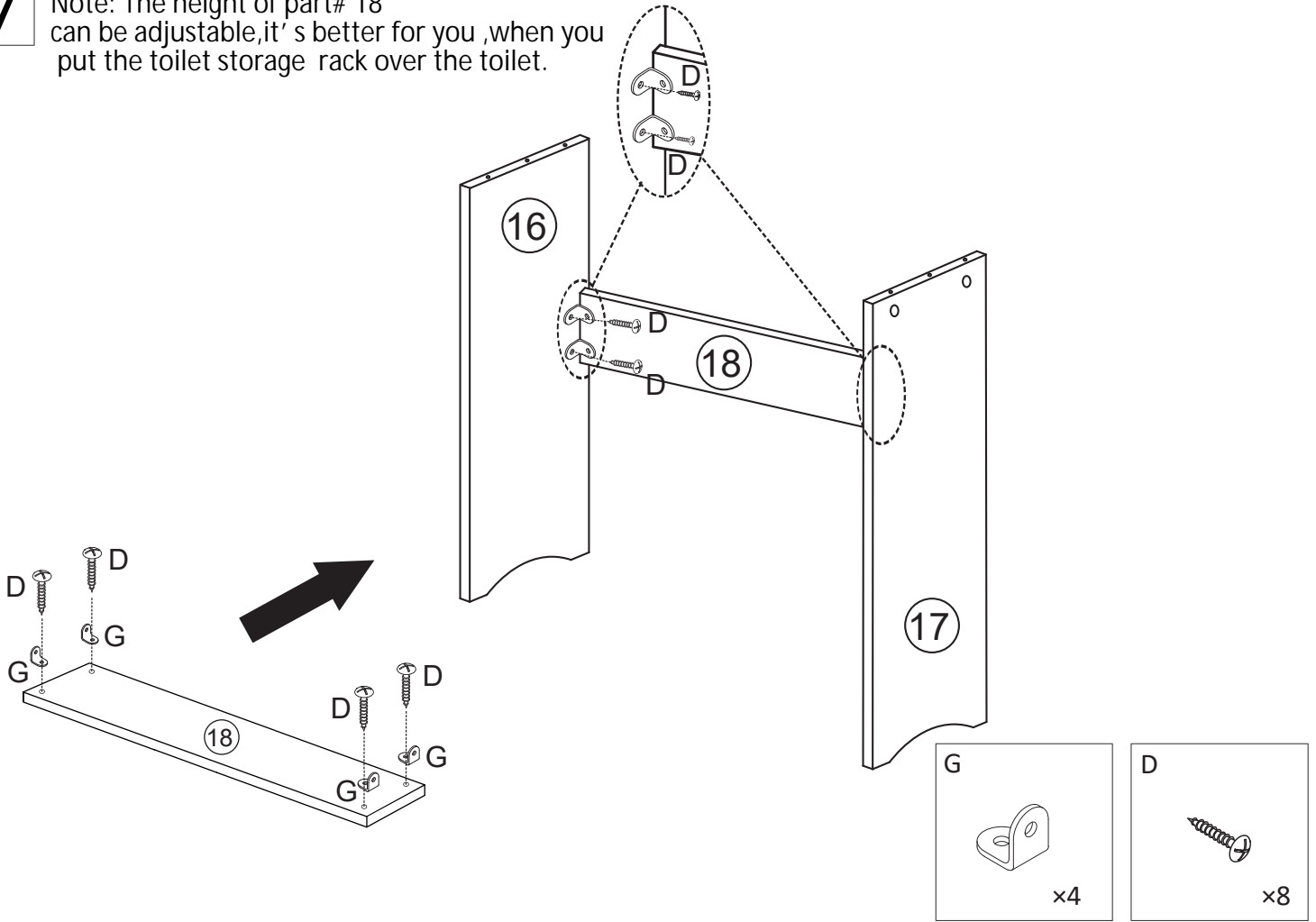


6

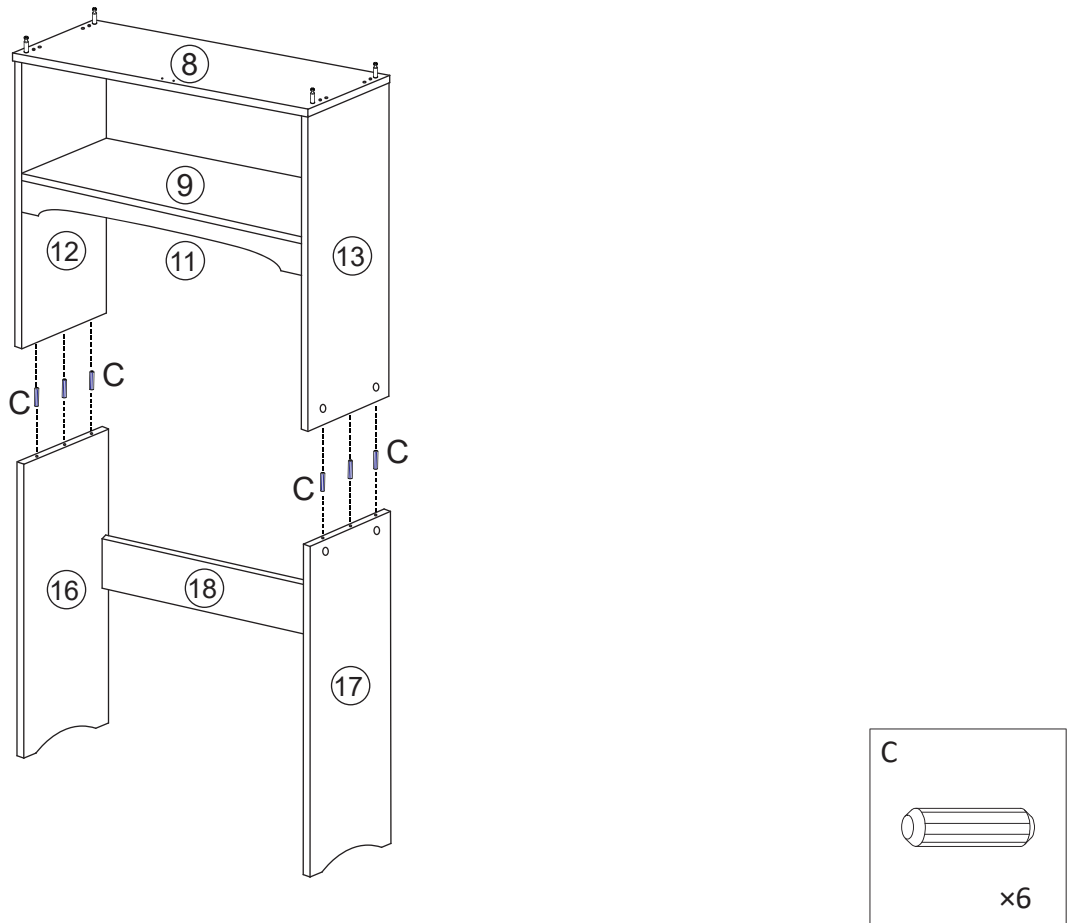


7

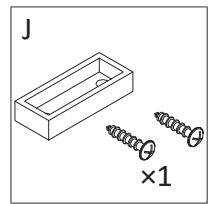
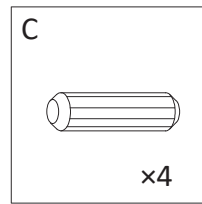
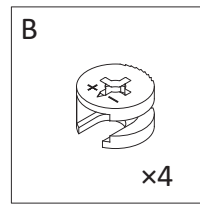
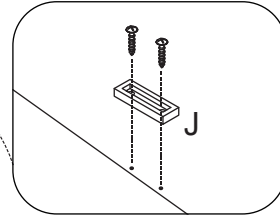
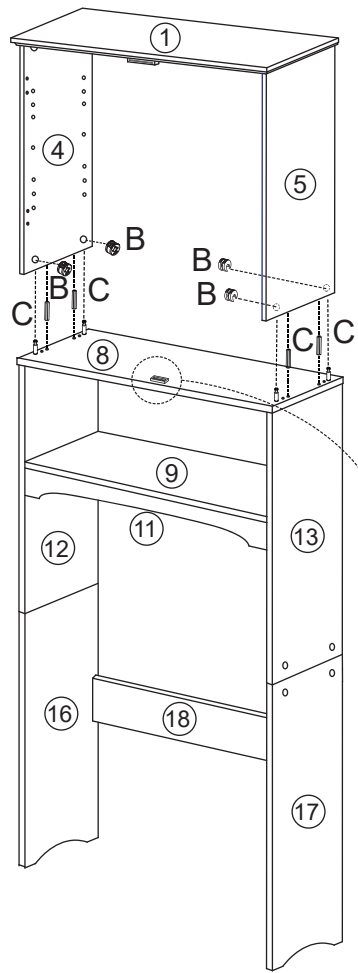
Note: The height of part# 18 can be adjustable, it's better for you, when you put the toilet storage rack over the toilet.



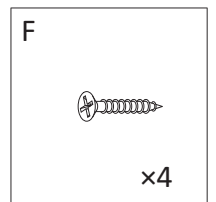
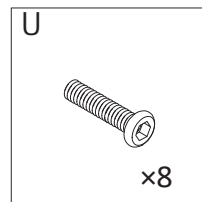
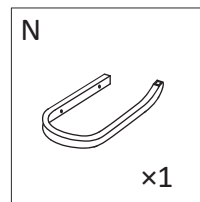
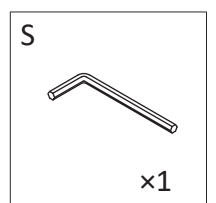
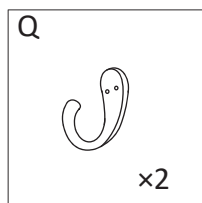
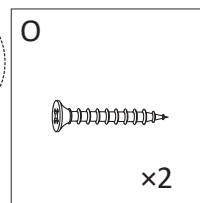
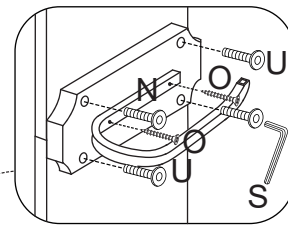
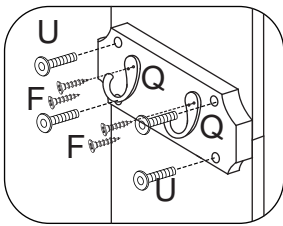
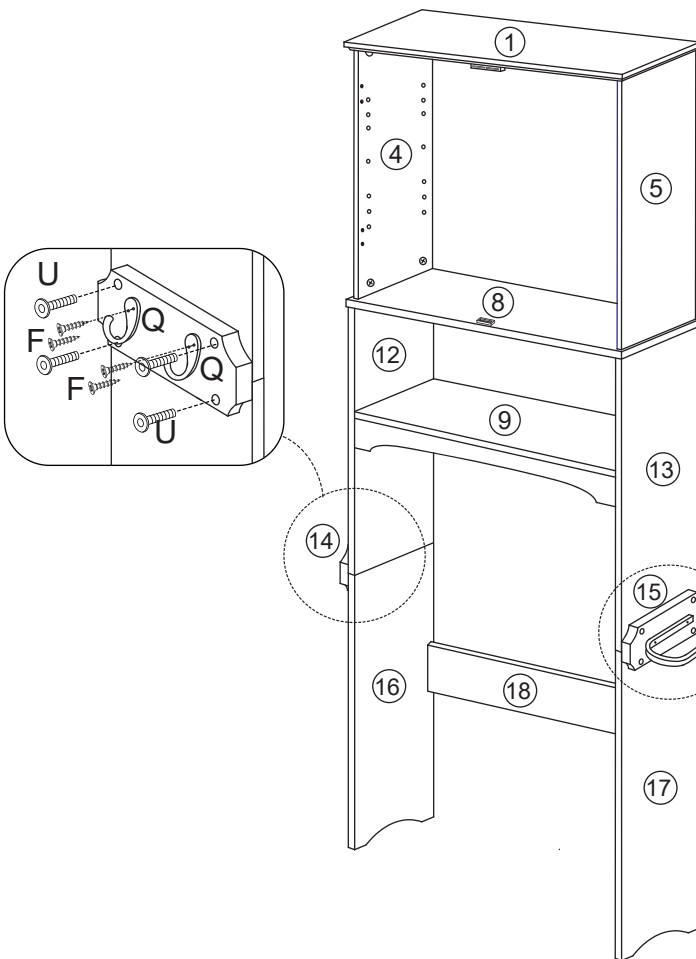
8



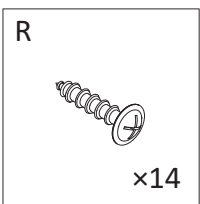
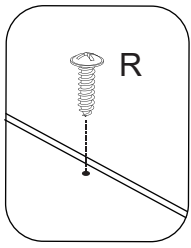
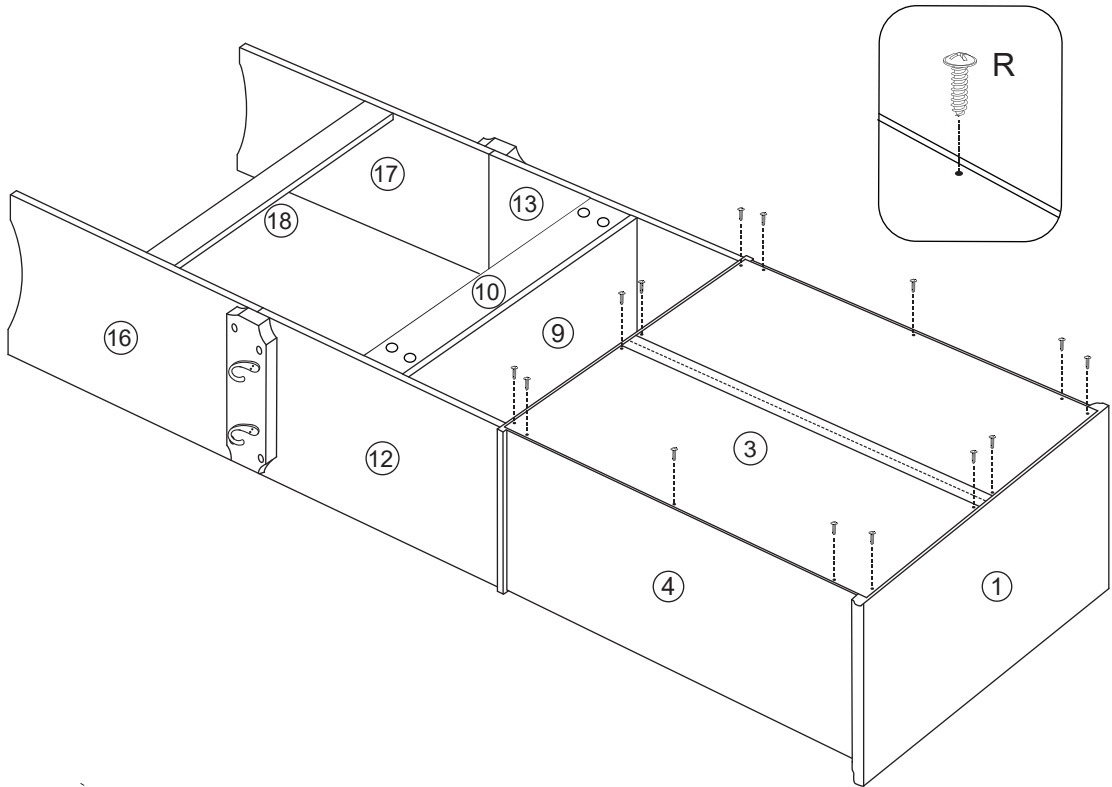
9



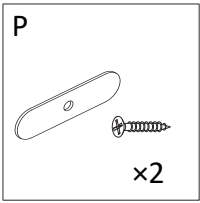
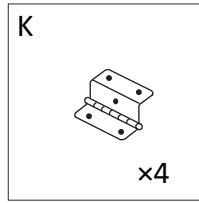
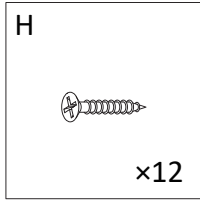
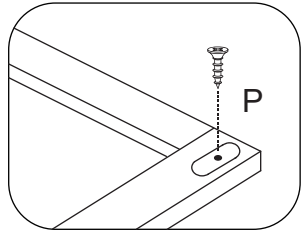
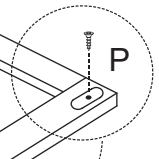
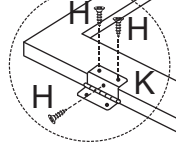
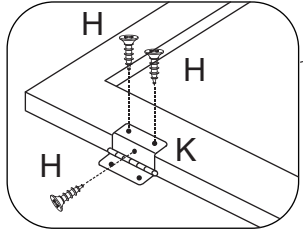
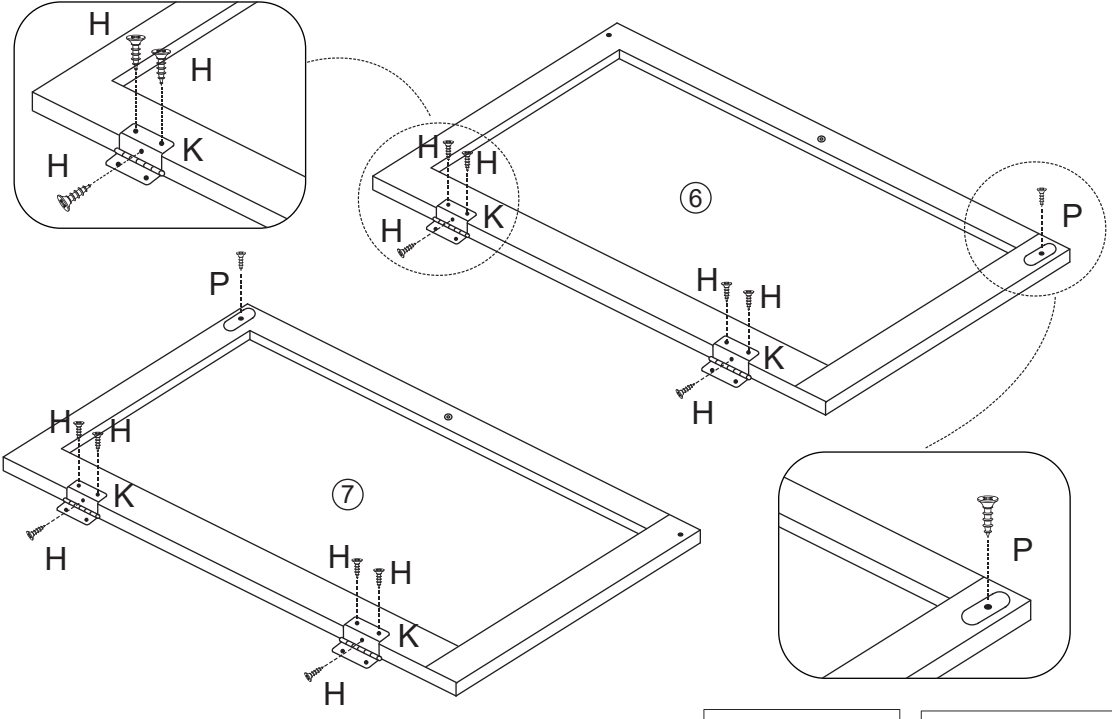
10



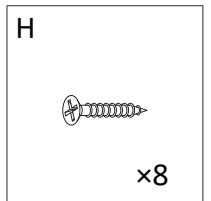
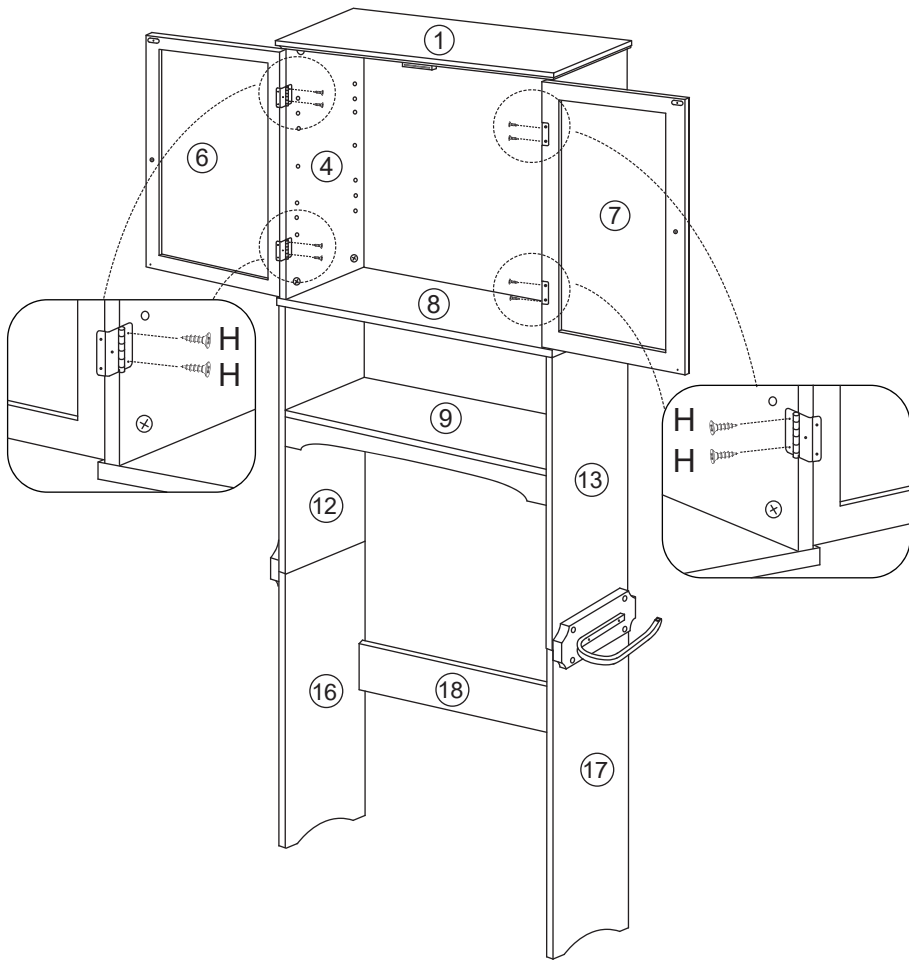
11



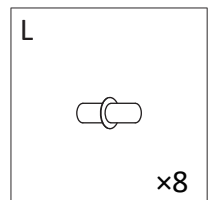
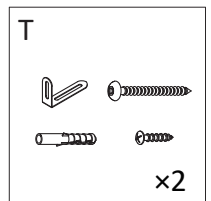
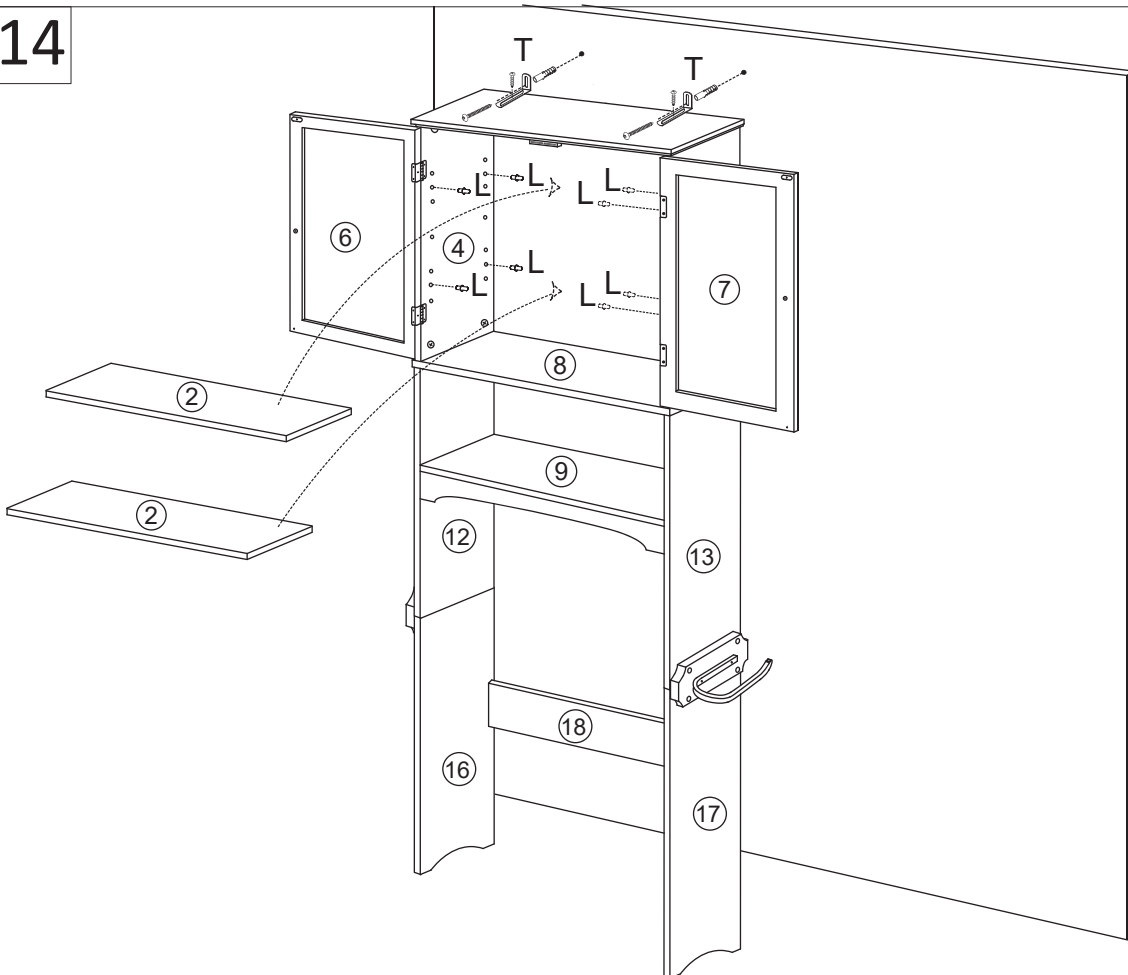
12



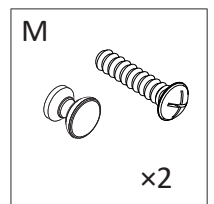
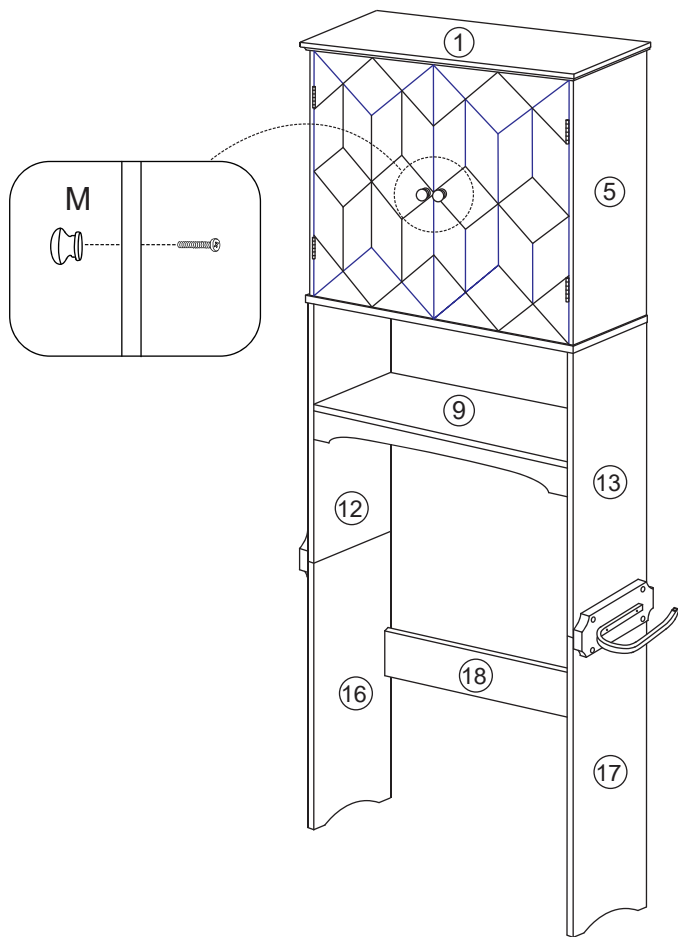
13



14



15



16

