



20-year warranty



Having trouble?

If you have questions or concerns regarding assembly instructions or missing parts, please contact us



Cleaning tips

For a Quick Clean:

Simply wipe down with soap and water.

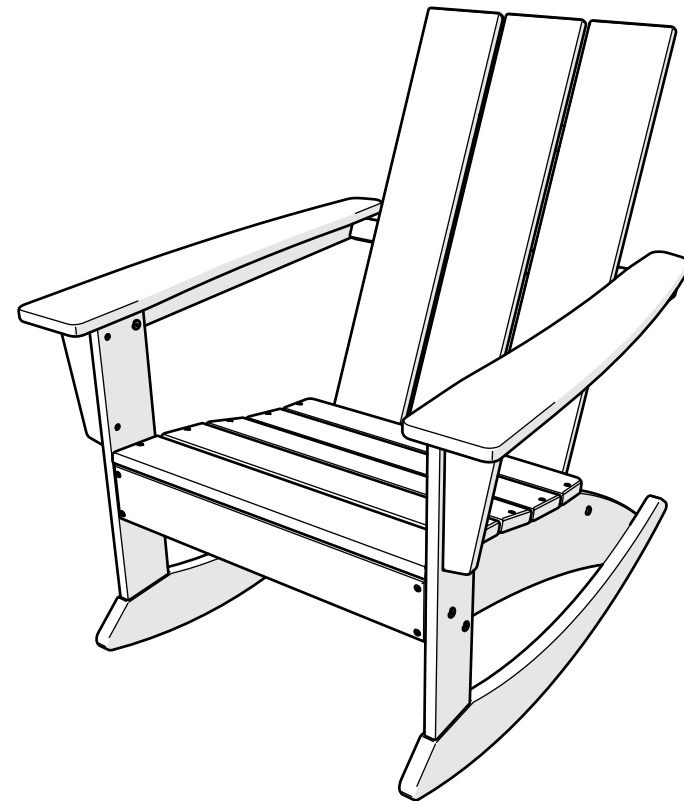
For a Deep Clean:

Wipe on $\frac{1}{3}$ bleach and $\frac{2}{3}$ water solution with a clean cloth and let it sit on the lumber for a few minutes (this will not affect the color). Then, loosen any dirt and debris that may catch in surface grooves with a soft bristle brush; hose down to rinse.

For a High-Power Clean:

Use a pressure power washer (not exceeding 1,500 psi) to spray off dirt and debris. Apply a $\frac{1}{3}$ bleach and $\frac{2}{3}$ water solution and scrub with a soft-bristle brush. Hose down to rinse.

Assembly Instructions



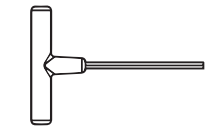
Adirondack Rocker

Thank You

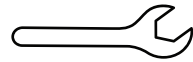
Thank you for your purchase!

We hope our furniture helps create a gathering place for you and your loved ones to enjoy for many years to come!

TOOLS

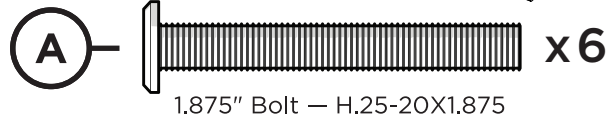
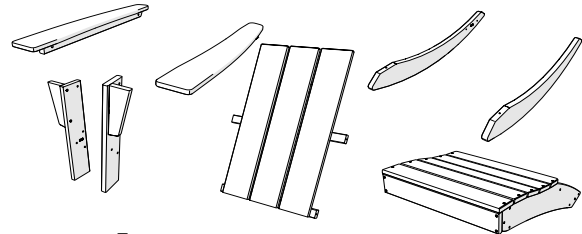


4mm T-handle
hex key (included)



7/16" wrench
(not included)

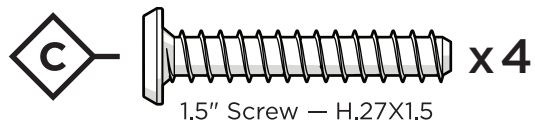
PARTS



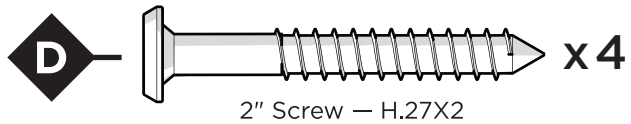
1.875" Bolt — H.25-20X1.875



2.25" Bolt — H.25-20X2.25



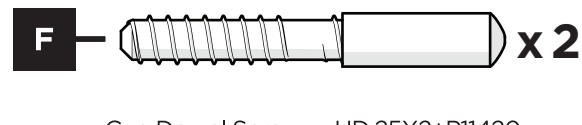
1.5" Screw — H.27X1.5



2" Screw — H.27X2



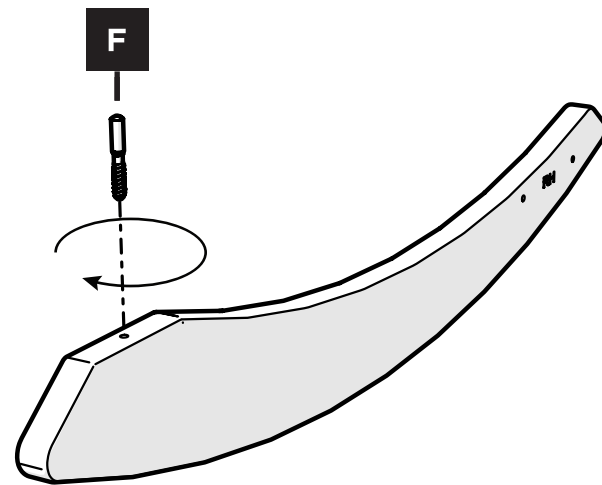
Flange Nylon Lock Nut



Cap Dowel Screw — HD.25X2+P11420

1

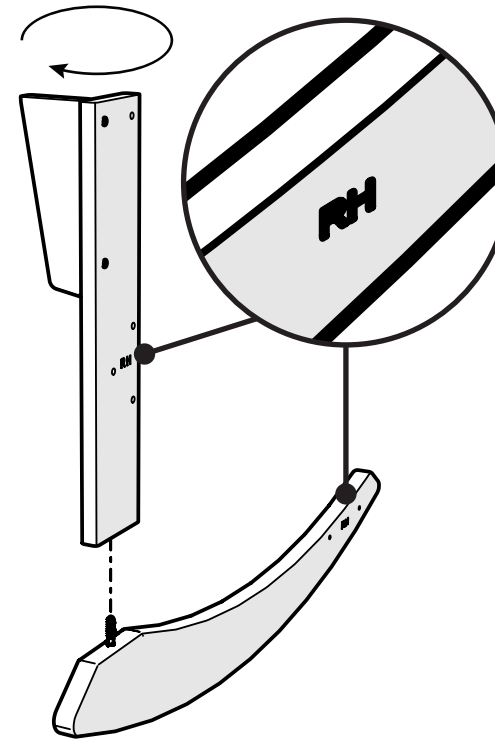
Twist dowel screw into rocker until
finger-tight, remove protective cap



Repeat other side

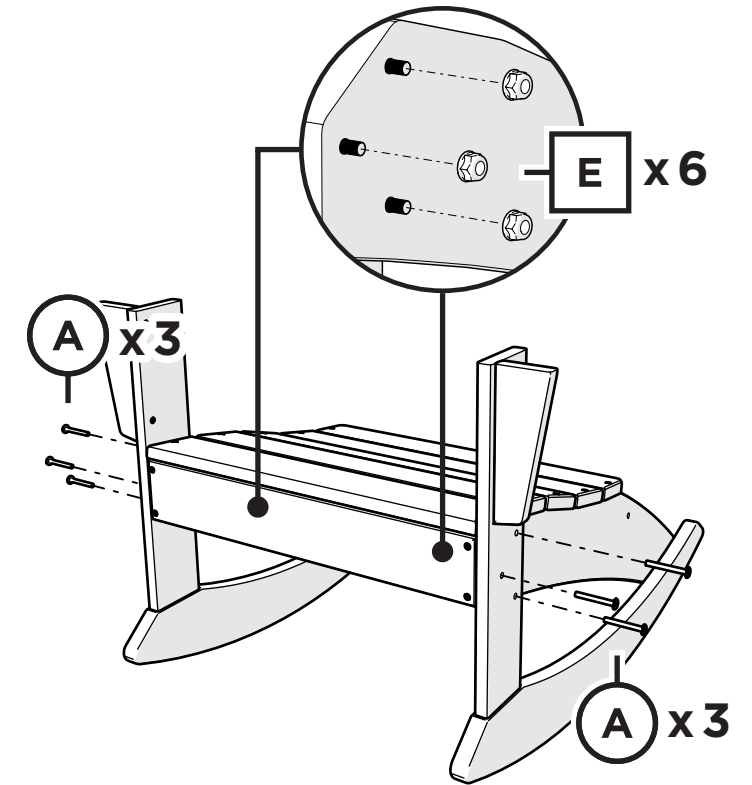
2

Match RH leg with RH rocker

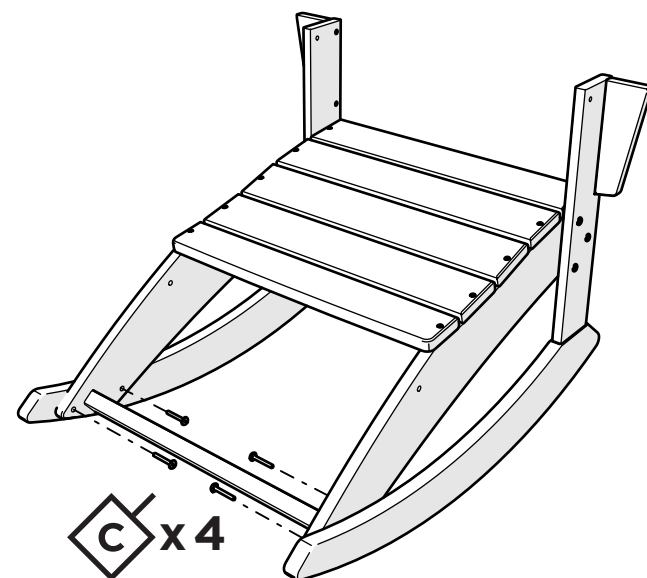


Repeat with LH parts

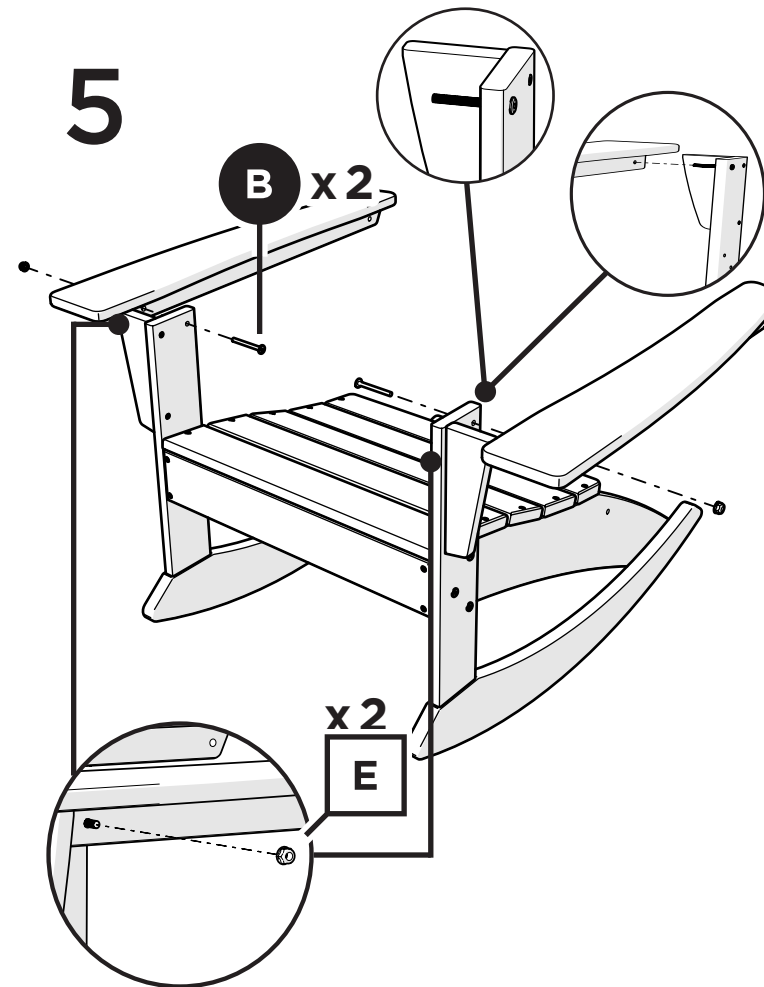
3



4



5



6

