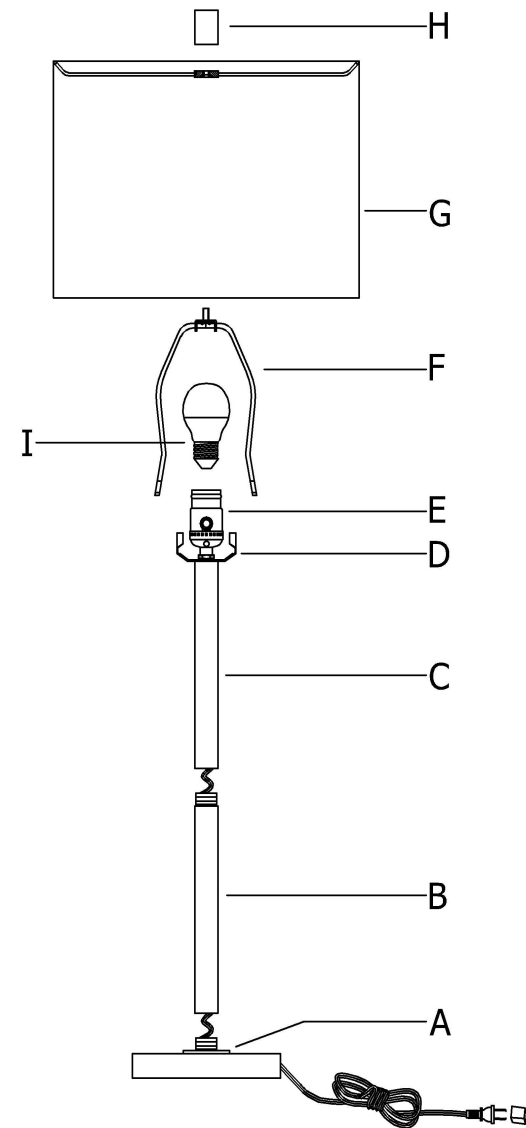


Installation Instructions

TABLE LAMP ASSEMBLY INSTRUCTIONS

1. SCREW TUBE "B" INTO THE LAMP BASE "A"
2. SCREW TUBE "C" INTO THE TUBE "B"
3. SCREW THE BULB "I" INTO THE SOCKET "E".
4. INSERT HARP "F" INTO THE SADDLE "D" .
5. REMOVE THE FINIAL "H" FROM THE HARP "F", PLACE THE SHADE "G"
ONTO THE HARP "F" AND TIGHTEN "G" BY FINIAL "H" .
6. PLEASE USE MAX 60W TYPE A BULB OR MAX 9W LED BULB. (LED BULB INCLUDED)



IMPORTANT SAFETY INSTRUCTIONS

THIS PORTABLE LAMP HAS A POLARIZED PLUG (ONE BLADE IS WIDER THAN OTHER) AS A SAFETY FEATURE TO REDUCE THE RISK OF ELECTRIC SHOCK THIS PLUG WILL FIT IN A POLARIZED OUTLET ONLY ONE WAY. IF THE PLUG DOES NOT FIT FULLY IN THE OUTLET, REVERSE THE PLUG. IF IT STILL DOES NOT FIT, CONTACT A QUALIFIED ELECTRICIAN NEVER USE WITH AN EXTENSION CORD UNLESS PLUG CAN BE FULLY INSERTED. DO NOT ALTER THE PLUG.