

# VEVOR

**Affordable. Reliable. Home Improvement.**

## **Outdoor Pizza Oven**

**MODEL:SRWP001**

**VEVOR Support Center**



**SRWP001**

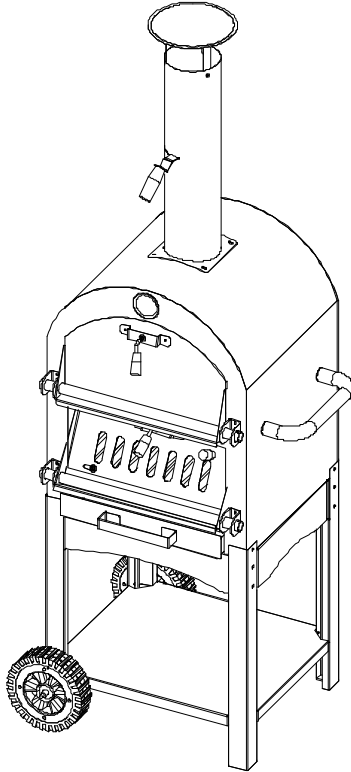


# VEVOR

Affordable. Reliable. Home Improvement.

## Outdoor Pizza Oven

**MODEL: SRWP001**



This is the original instruction, please read all manual instructions carefully before operating. VEVOR reserves a clear interpretation of our user manual. The appearance of the product shall be subject to the product you received. Please forgive us that we won't inform you again if there are any technology or software updates on our product.

# IMPORTANT SAFEGUARDS

## **WARNING:**

1. Read the instructions before using the appliance. and Retain this manual for future reference.
3. It is the consumer's responsibility to see that the outdoor pizza oven is properly assembled, installed, and taken care of Failure to follow instructions in this manual could result in bodily injury and/or property damage.
3. Hazardous fire may result If Instructions are Ignored
4. Use outdoors only.
5. Warning accessible parts may be very hot. Keep young children away.
6. Do not move the appliance during use.
7. Turn off the ignition source at the outdoor pizza oven after use.
8. Do not modify the appliance.
9. This appliance must be kept away from flammable materials during use.
10. A spanner must be used to tighten the nut onto the connection thread.
11. Do not keep any gas cylinder inside the outdoor pizza oven when using. Its forbid to insert / put gas cylinder in to the appliance.

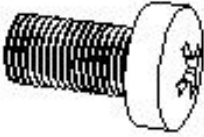
## **DANGER:**

1. Never operate this appliance unattended. If a fire should occur, keep away from the appliance and immediately call your fire department.
2. This appliance shall be used only outdoors, and shall not be used in a building, garage, or any other enclosed area.
3. The appliance should not be located or used under overhead unprotected flammable building materials or surfaces. For outdoor pizza oven, the minimum clearance to any structure or combustible material should be at least 10 feet (3 metres).

## **SAVE THESE INSTRUCTIONS**

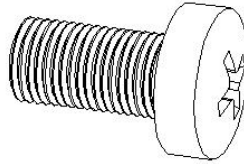
# HARDWARE

M5\*10 Screw



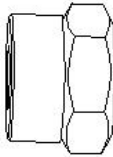
36PCS

M8\*10 Screw



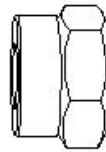
2 PCS

M6 Locknut



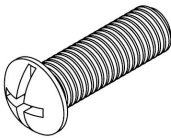
2 PCS

M8 Locknut



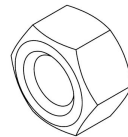
2 PCS

M5\*16 Screw



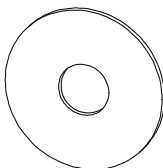
1 PCS

M5 Locknut



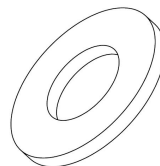
2 PCS

Gasket



5 PCS

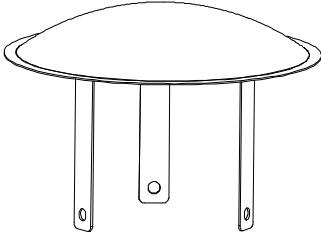
Gasket



2 PCS

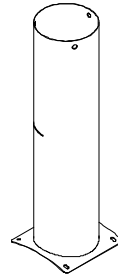
## PARTS

(A) Cowl:  $\phi 135 \times 108 \text{mm}$



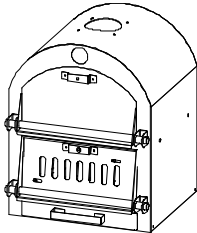
1 PCS

(B) Chimney:  $\phi 95 \times 402 \text{mm}$



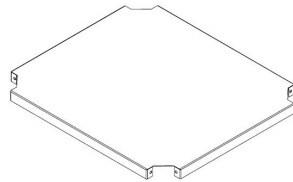
1 PCS

(C) Furnace body:  
 $500 \times 402 \times 395 \text{mm}$



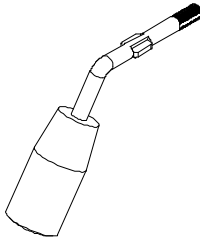
1 PCS

(D) Baseplate:  $407 \times 351 \times 20 \text{mm}$



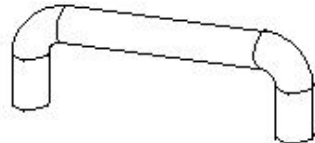
1 PCS

(E) Bakelite handle:  $\phi 25 \times 123$



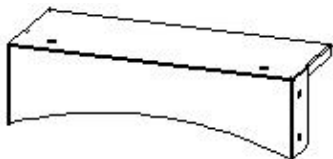
2 PCS

(F) Bakelite handle:  $180 \times 60 \text{mm}$



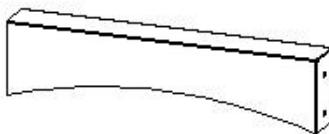
1 PCS

(G) Foot Connecting Plates:  
268\*100\*75mm



2 PCS

(H) Foot Connecting Plates:  
320\*75\*40mm



PCS

(I) Front left foot: 430\*40\*40mm



1 PCS

(J) Front right foot: 430\*40\*40mm



1 PCS

(K)Rear left foot: 385\*40\*40mm



1 PCS

(L) Rear right foot:385\*40\*40mm



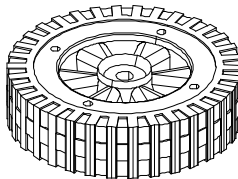
1 PCS

(M) Wheel shank:  $\phi 10*465$ mm



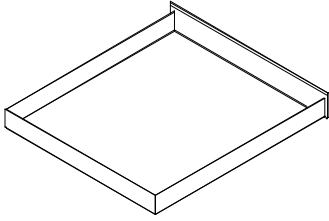
1 PCS

(N) Wheel: $\Phi 150*38$ mm



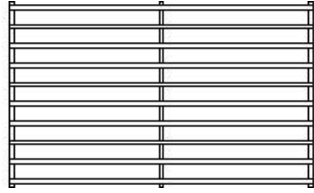
2 PCS

(O) Baseplate: 390\*265\*25mm



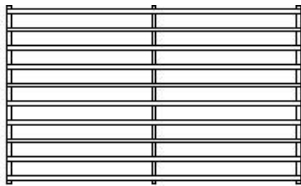
1 PCS

(P) Stainless Steel Baking Tray:  
320\*193mm



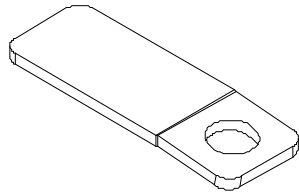
2 PCS

(Q) Iron Carbon Mesh:  
320\*193mm



2 PCS

(R) Cover Plate Stator: 50\*20mm



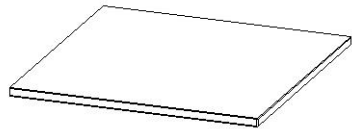
2 PCS

(S) Cross Wrench



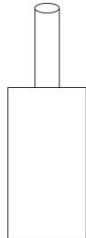
1 PCS

(T) Pizza Stone: 305\*305mm



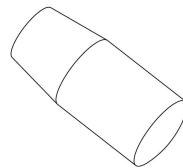
1 PCS

(U) Cloth Bag: 1420\*960mm

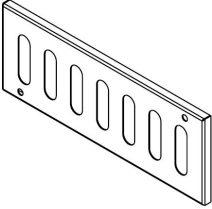
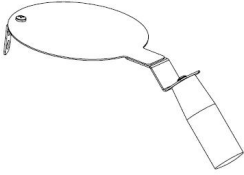


1 PCS

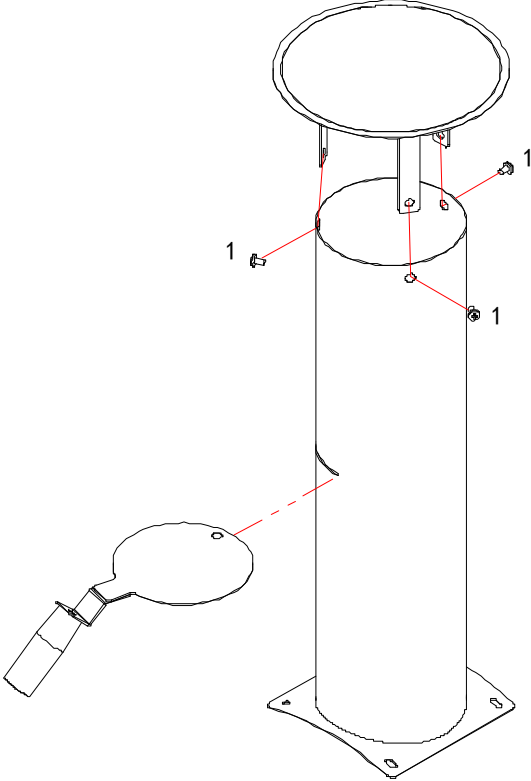

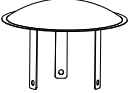


(V) Handle



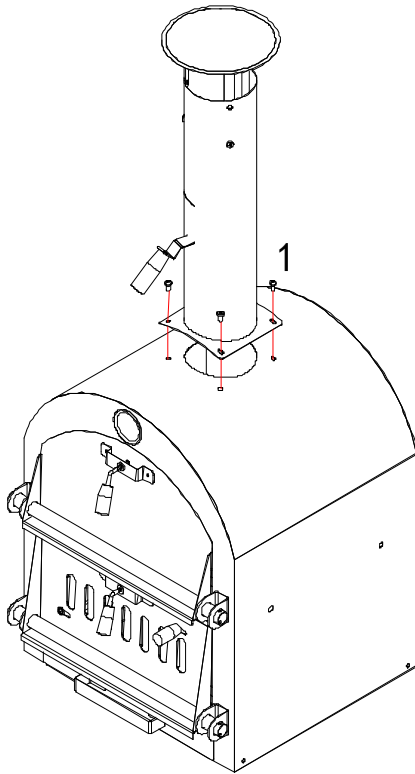
1 PCS

<p>(W)</p>  <p>1 PCS</p>	<p>(X)</p>  <p>1 PCS</p>
---	---

## PRODUCT ASSEMBLY

<p><b>Step1</b></p> 	<p>Hardware 1</p>  <p>M5*10 Screw 3PCS</p>
	<p>Part A</p>  <p>1 PCS</p>
	<p>Part B</p>  <p>1 PCS</p>
	<p>Part X</p>  <p>1PCS</p>

**Step2**

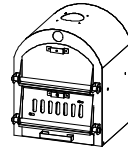


Hardware 1  
M5\*10 Screw



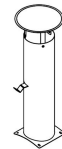
3PCS

Part C



1 PCS

Part A&B



1 PCS

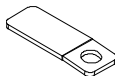
**Step3**

Part E



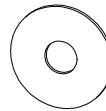
2 PCS

Part R



2 PCS

Hardware 7



5 PCS

Part V



1 PCS

Hardware 5



1 PCS

Hardware 6

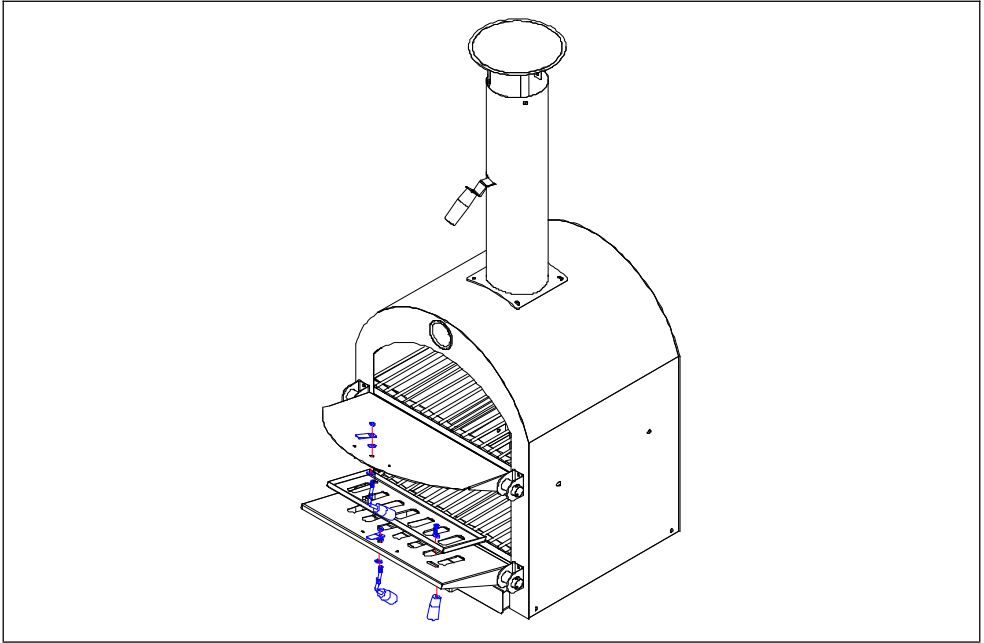


1 PCS

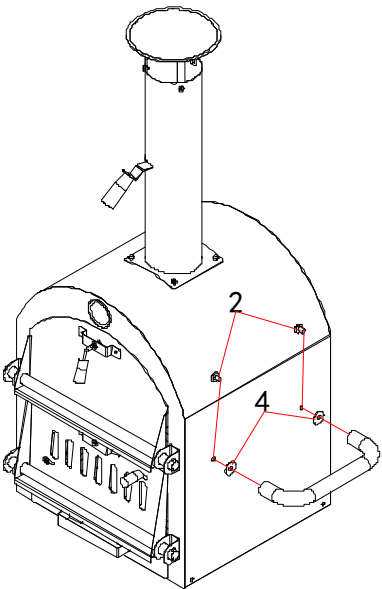
Part W



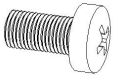
1 PCS



**Step4**



Part 2  
M8\*10 Screw



2 PCS

Part F



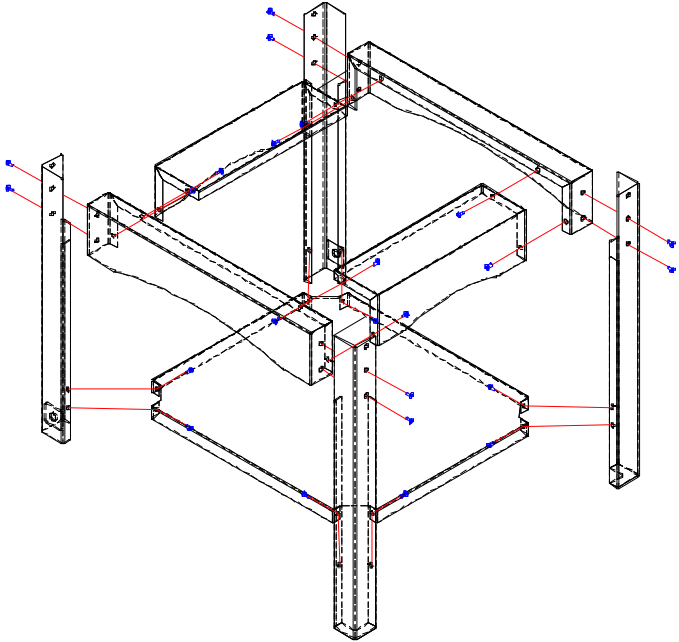
1 PCS

Hardware 8



2PCS

# Step5



Part I



1 PCS

PartJ



1 PCS

PartK



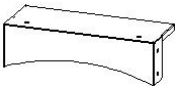
1 PCS

Part L



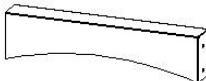
1 PCS

Part G



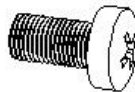
2 PCS

Part H



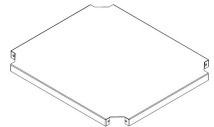
2 PCS

Hardware 1



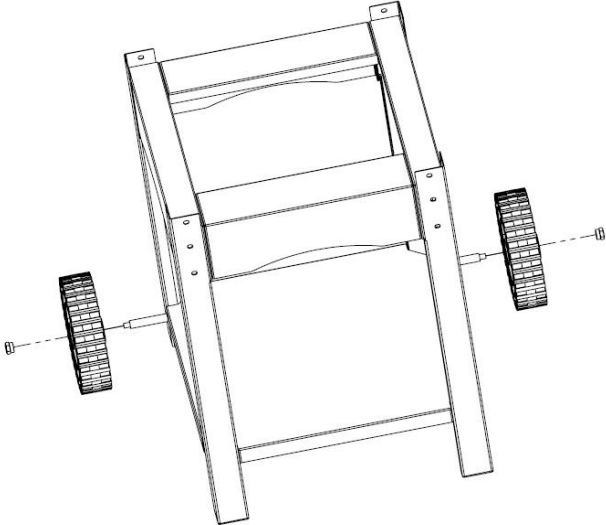
31 PCS

Part D



1 PCS

**Step6**

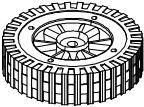


Hardware 4



2 PCS

Part N



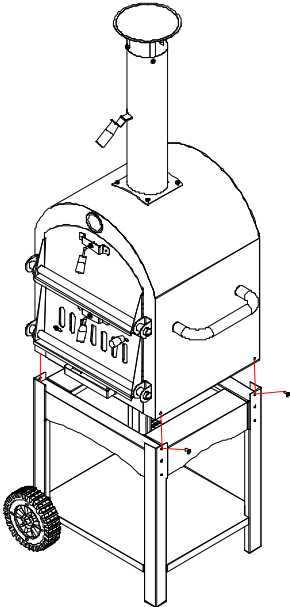
2 PCS

Part M

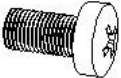


1 PCS

**Step7**

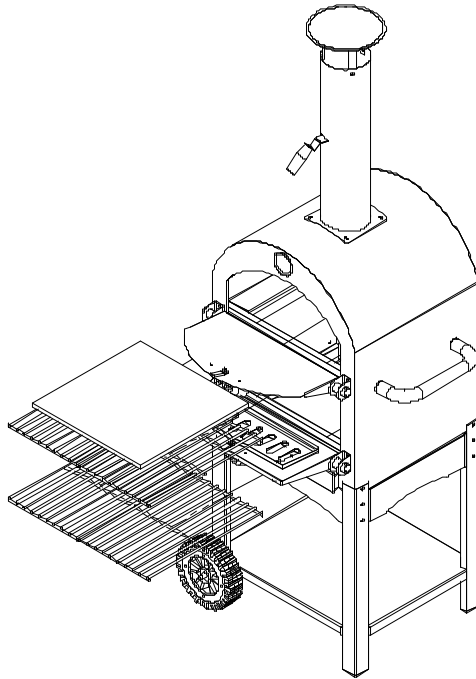


Hardware 1  
M5\*10 Screw

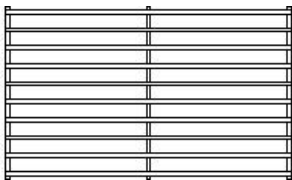


4PCS

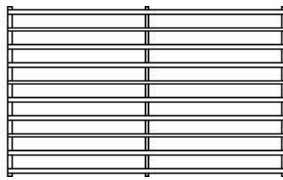
## Step8



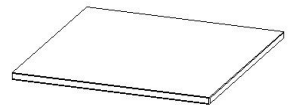
Part P



Part Q



Part T



**Manufacturer:** Shanghaimuxinmuyeyouxiangongsi

**Address:** Shuangchenglu 803nong11hao1602A-1609shi, baoshanqu, shanghai 200000 CN.

**Imported to AUS:** SIHAO PTY LTD. 1 ROKEVA STREETEASTWOOD NSW 2122 Australia

**Imported to USA:** Sanven Technology Ltd. Suite 250, 9166 Anaheim Place, Rancho Cucamonga, CA 91730

<b>UK</b>	<b>REP</b>
-----------	------------

YH CONSULTING LIMITED. C/O YH Consulting  
Limited Office 147, Centurion House, London  
Road, Staines-upon-Thames, Surrey, TW18 4AX

<b>EC</b>	<b>REP</b>
-----------	------------

E-CrossStu GmbH  
Mainzer Landstr.69,  
60329 Frankfurt am Main.

