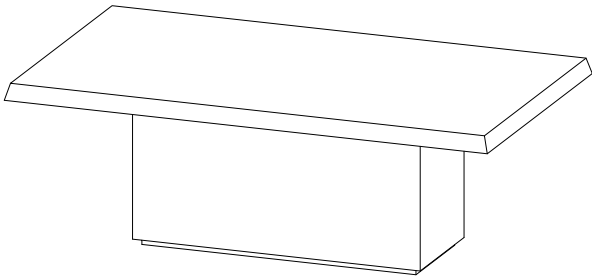


ASSEMBLY INSTRUCTION FOR MODEL: AVILA OUTDOOR RECTANGULAR DINING TABLE

PŒŒÖY ŒŒÖÄŠÖŒV

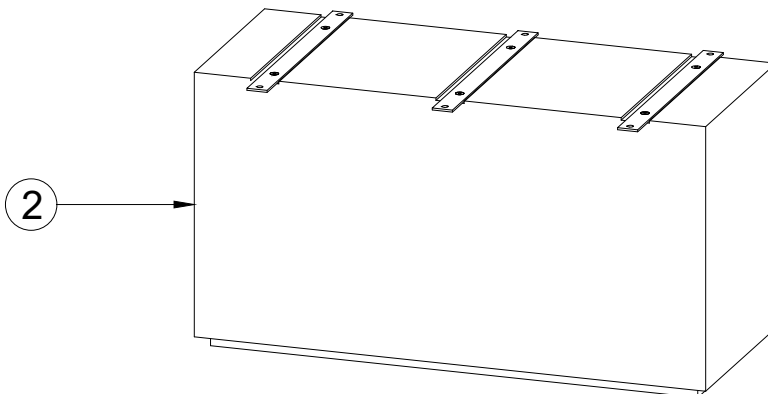
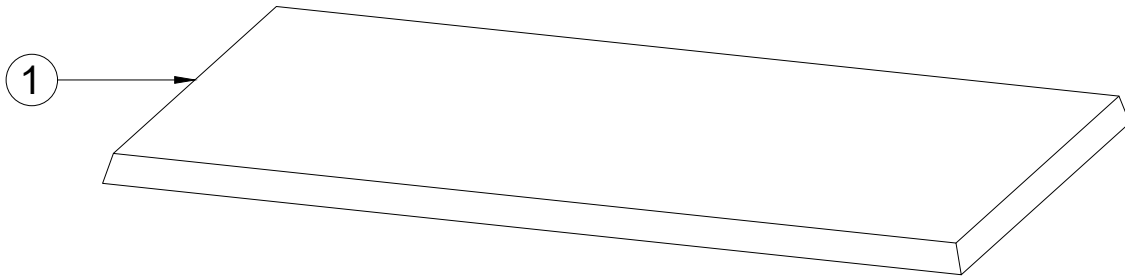
A		Bolts	M8x20mm	6 (already on base)
B		Bolts	M8x25mm	6
C		Located Bolts	8x50mm	2
D		Flat Washer	8x23mm	6
E		Lock Washer	8x12mm	6
F		Key K4		1

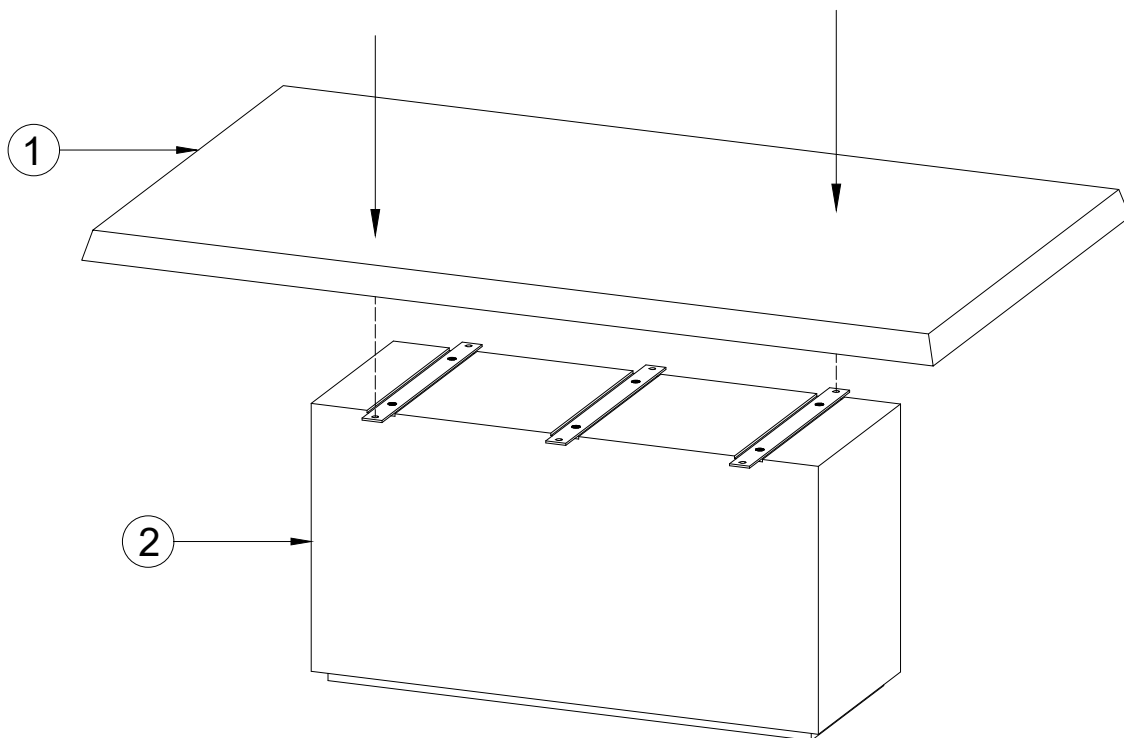
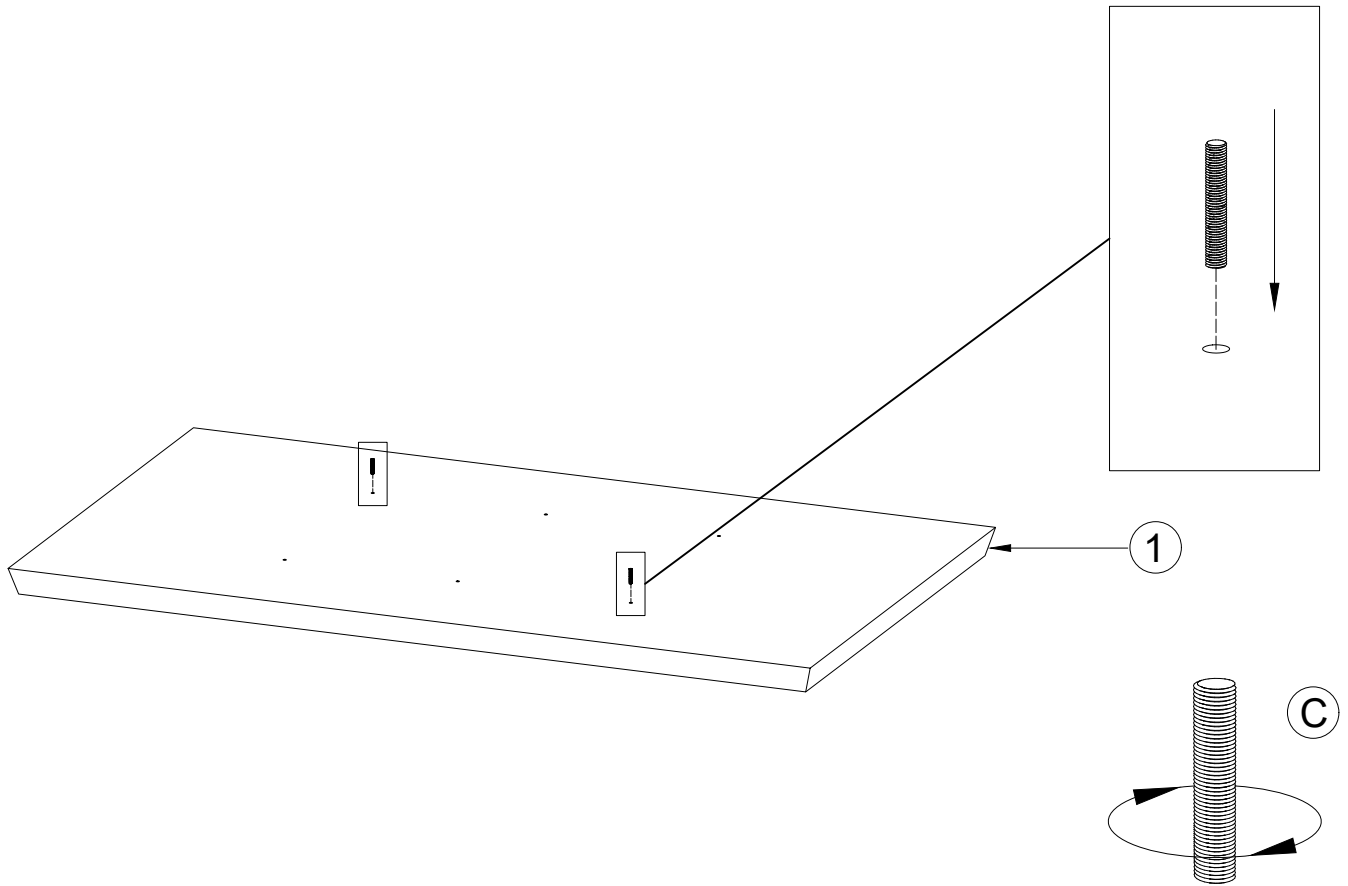


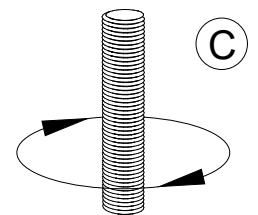
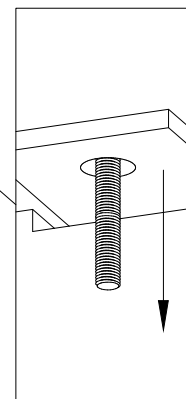
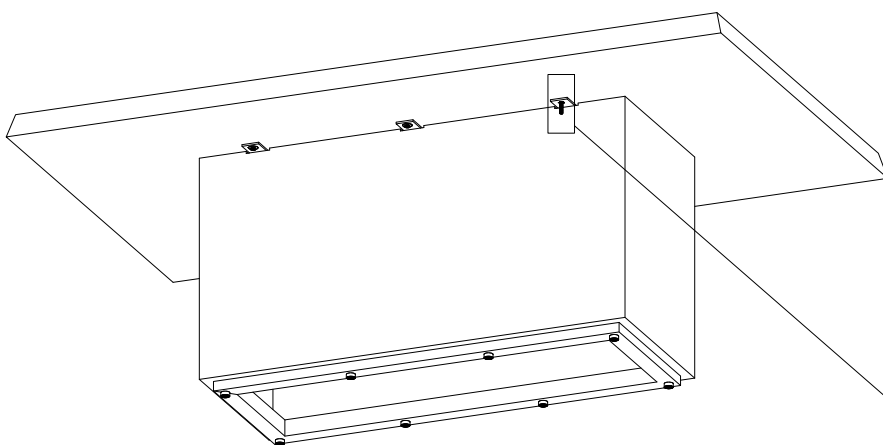
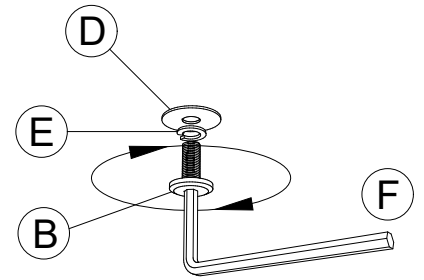
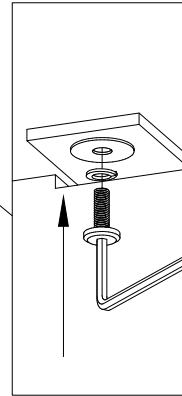
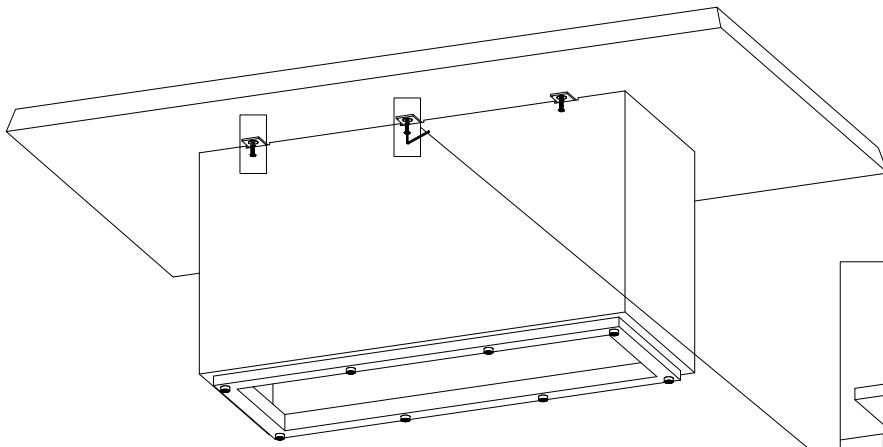
PROFESSIONAL INSTALLATION REQUIRED

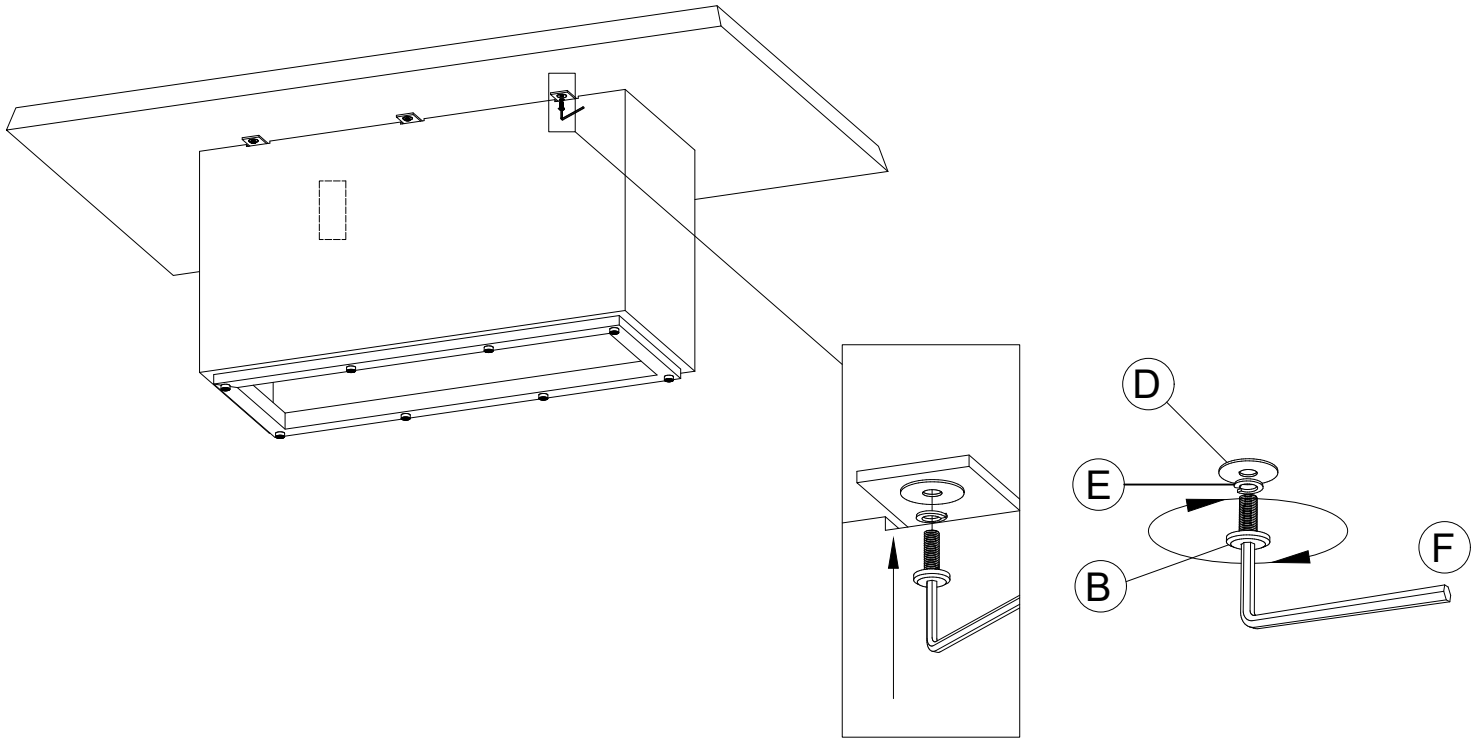


x4









Adjusting Floor Levelers

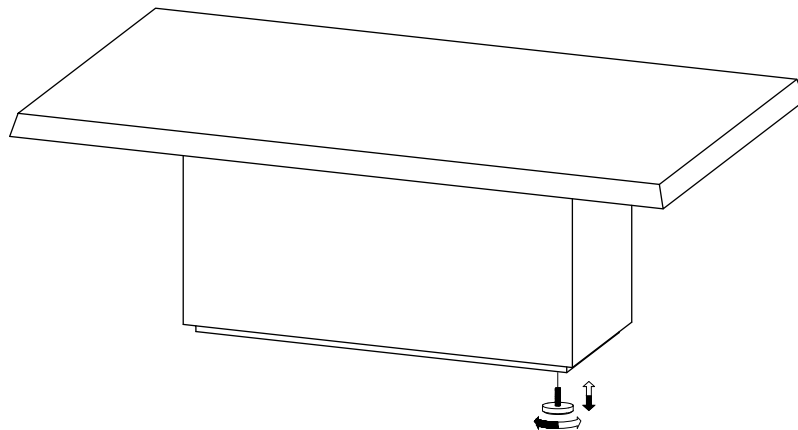
Your furniture has been expertly crafted and pre-adjusted by professionals. However, slight shifts can occur during transportation. If you notice that the doors are not perfectly aligned or the furniture wobbles, a quick adjustment can help ensure stability and a seamless look.

Adjust the Floor Levelers

Check for Stability – Place the furniture in its final position on a level surface. If it wobbles or doesn't sit evenly, the floor levelers need adjusting.

Locate the Levelers – These are small adjustable feet found at the bottom corners of your furniture.

Adjust as Needed – Using your hand or a wrench, turn the levelers clockwise to raise or counterclockwise to lower the furniture. Make small adjustments and check stability after each turn.



Adjust leveler to balance the products.