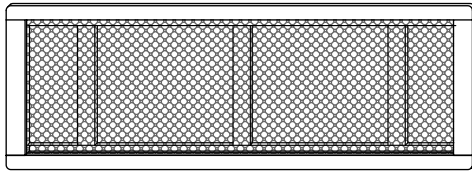


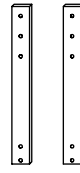
Full Headboard

Assembly Instructions

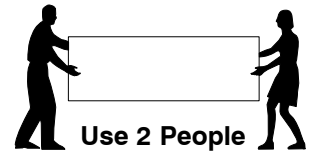
1 Parts List



A Headboard Panel x 1



B Support Bar x 2



2 Hardware List



1 M6 x 35mm JCB x 6



2 Spring Washer x 6



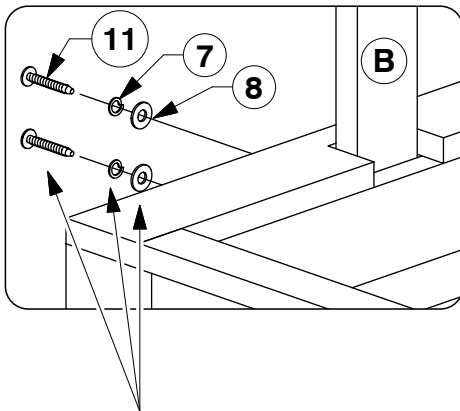
3 Flat Washer x 6



4 Allen Key x 1

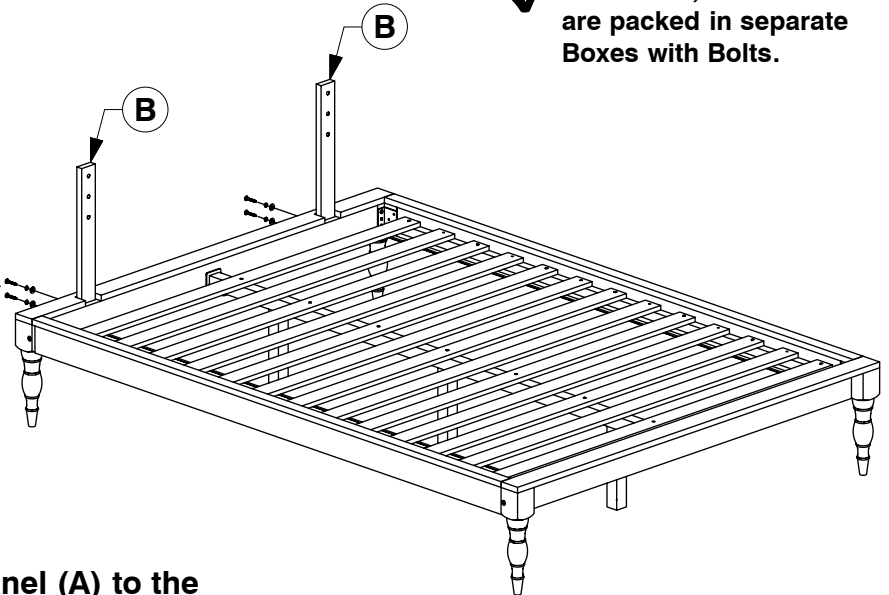
Note: Do not assemble using power tools. This can cause the bolts to be overtightened

3 Assemble the Support Bars (B) to the Headboard Panel.

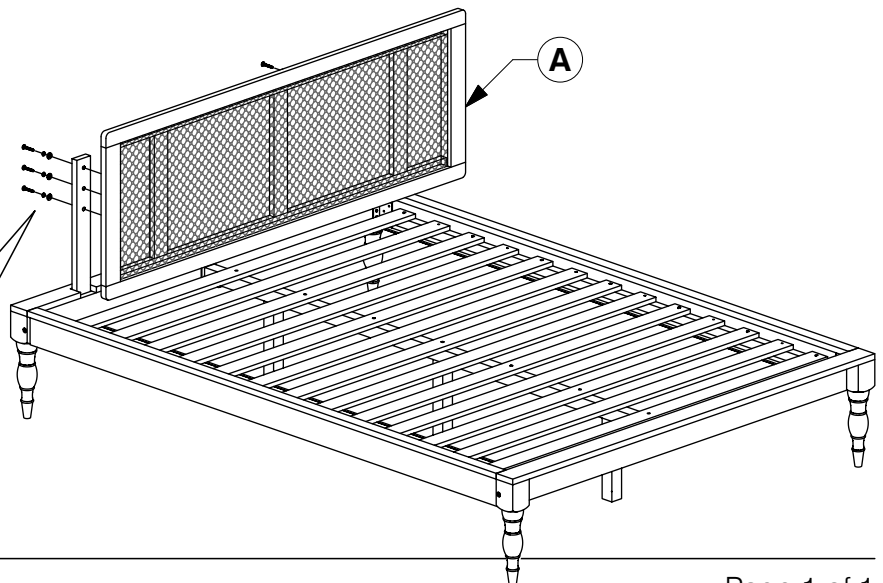
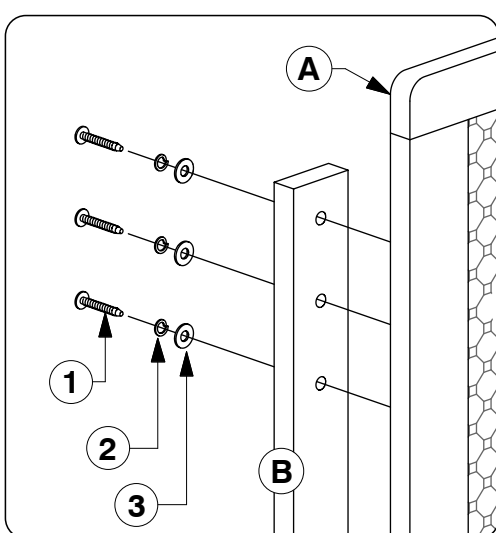


Note: Bolts & Washers from Footboard, Rails & Slats Box.

✓ Footboard, Rails & Slats are packed in separate Boxes with Bolts.



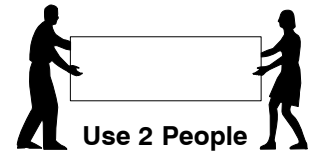
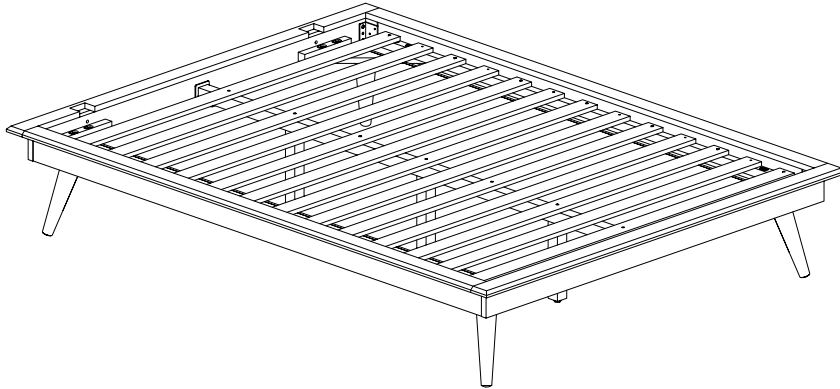
4 Assemble the Headboard Panel (A) to the Support Bars (B).



Full Bed

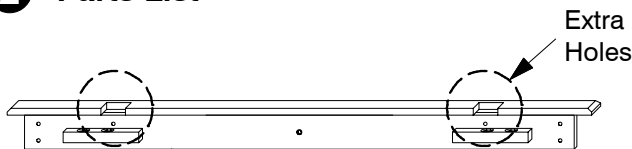
Assembly Instructions

1 Assembled View



Note: Do not assemble using power tools. This can cause the bolts to be overtightened

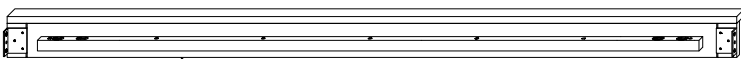
2 Parts List



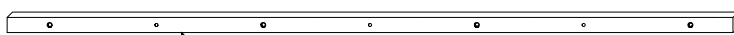
A Headboard Panel x 1



B Footboard Panel x 1



C Side Rail x 2



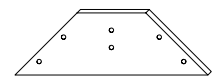
D Long Support x 1



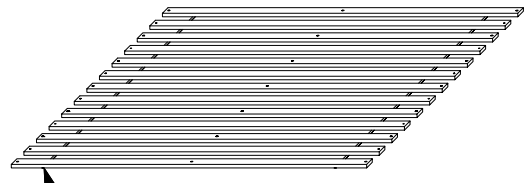
E Post x 4



F Support Leg x 3



G Support Panel x 4



H Set of Bed Slats x 1

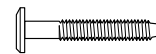
3 Hardware List



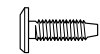
1 M6 x 100mm JCB x 3



2 M6 x 50mm JCB x 16



3 M6 x 40mm JCB x 22



4 M6 x 20mm JCB x 8



5 M6 x 15mm JCB x 4



6 M8 x 50mm JCB x 8



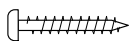
7 Barrel Nut x 3



8 Spring Washer x 28



9 Flat Washer x 28



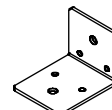
10 Wood Screw (M4 x 32mm) x 12



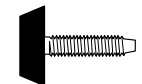
11 M4 Allen Key x 1



12 M5 Allen Key x 1



13 Center Rail Bracket x 2

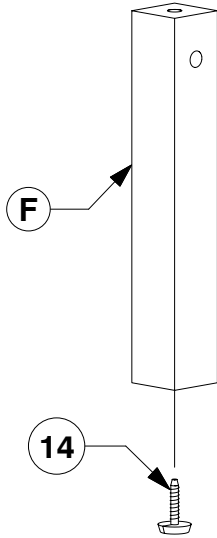


14 Adjustable Foot x 3

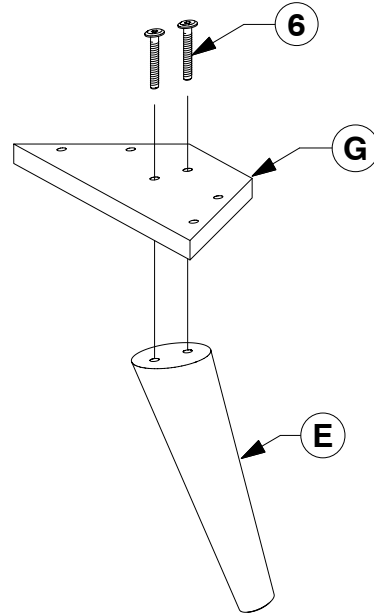
Full Bed

Assembly Instructions

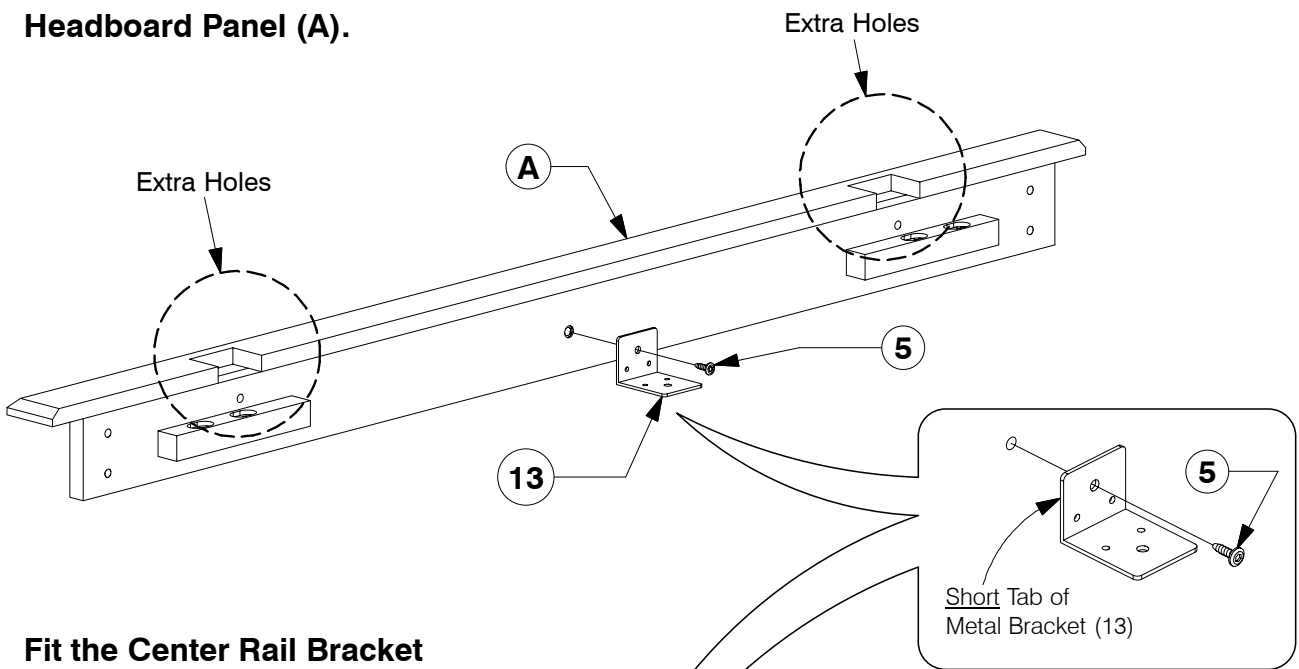
- 4** Fix the Adjustable foot to the bottom of the Support Leg (F).



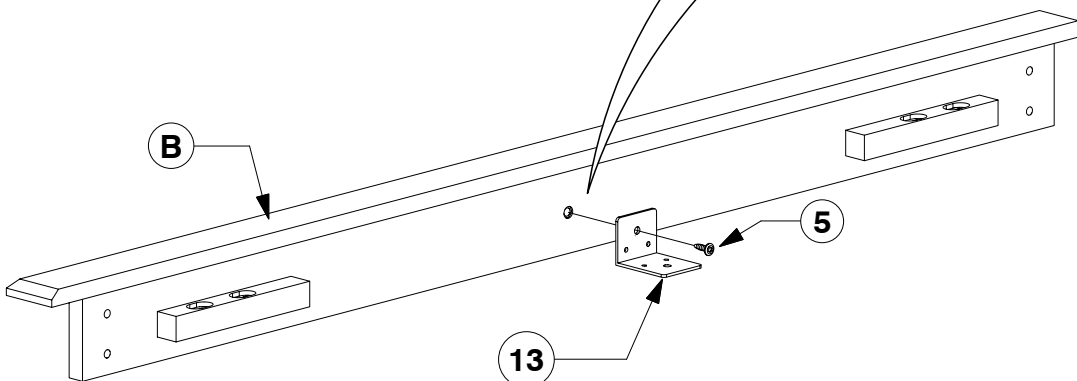
- 5** Fit the Post (E) to the Support Panel (G).



- 6** Fit the Center Rail Bracket to the Headboard Panel (A).



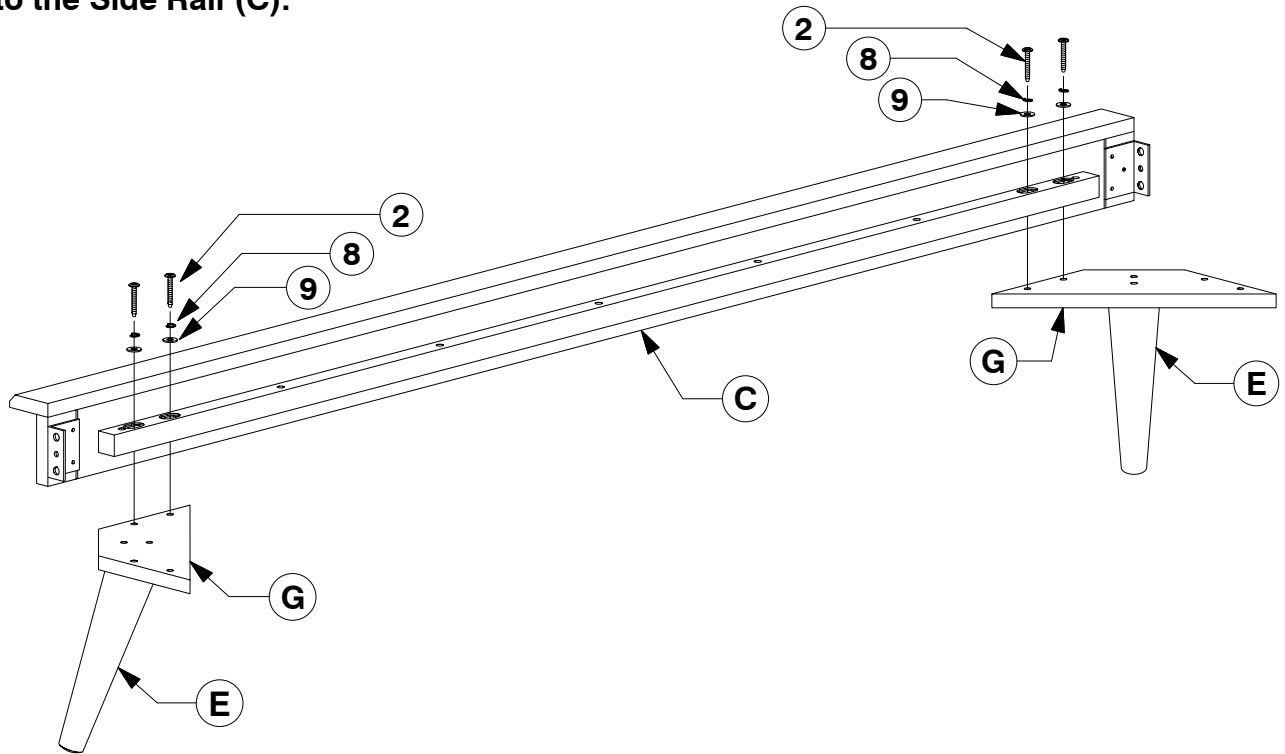
- 7** Fit the Center Rail Bracket to the Footboard Panel (B).



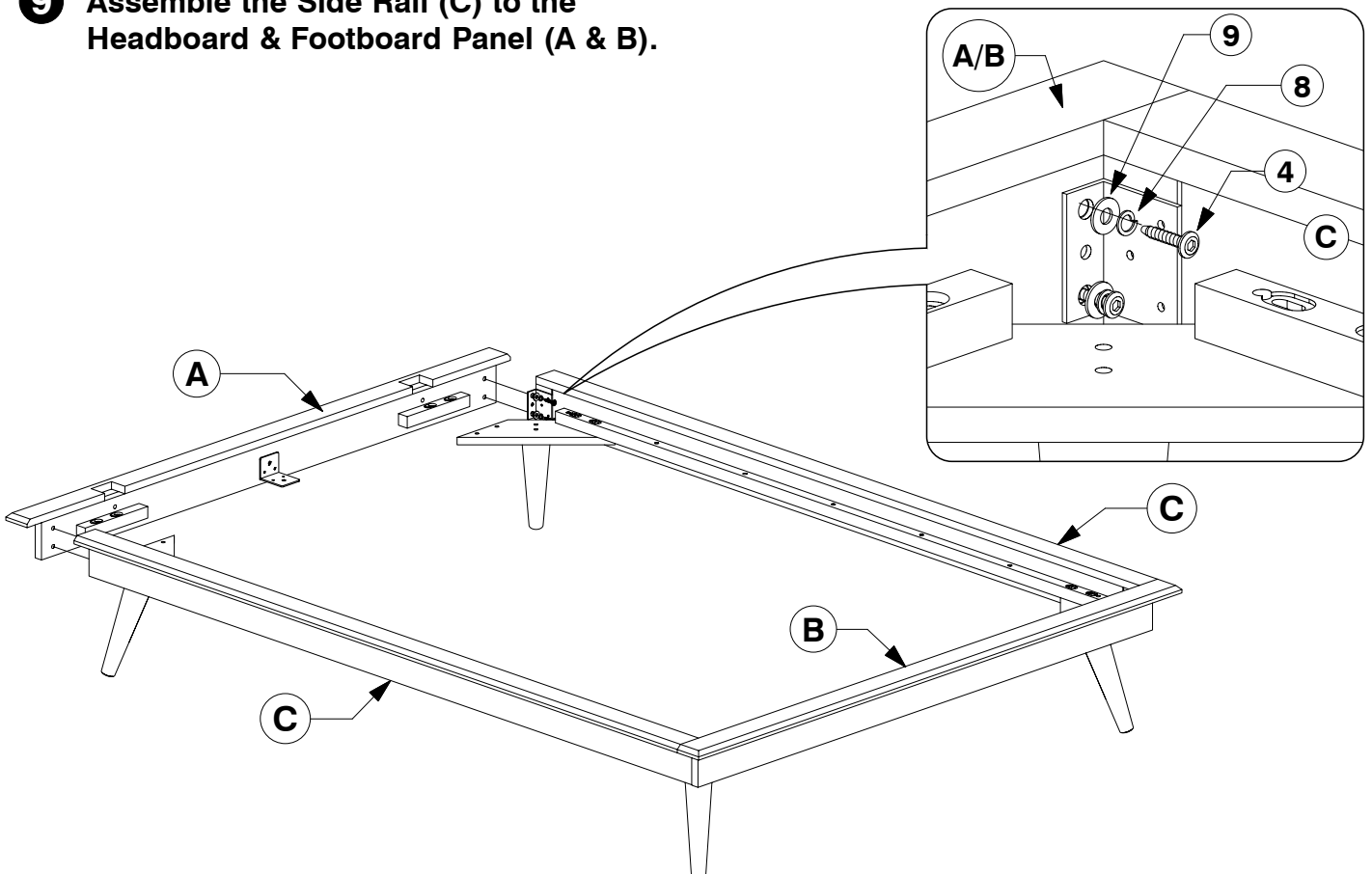
Full Bed

Assembly Instructions

- 8** Bolt the Post & Support Panel (E & G) to the Side Rail (C).



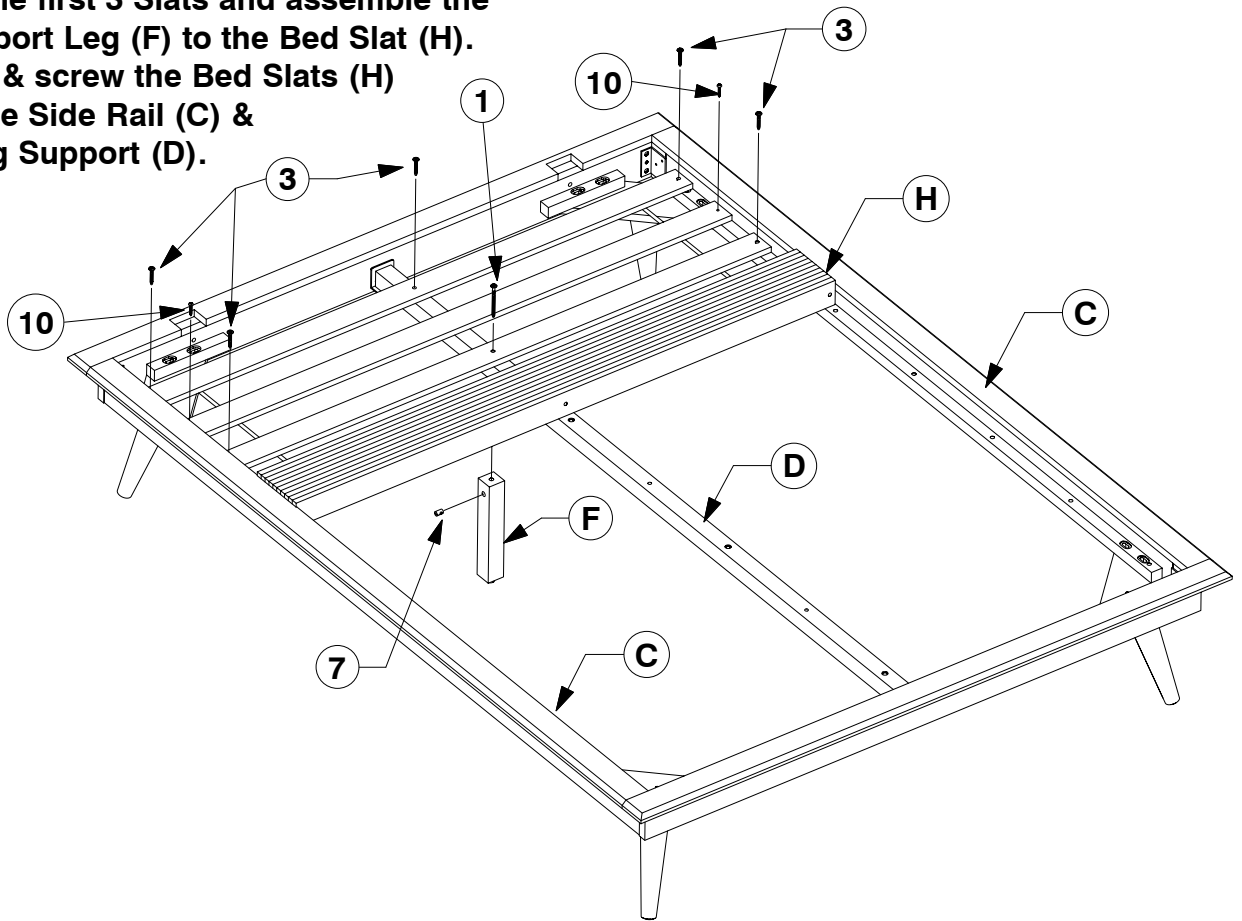
- 9** Assemble the Side Rail (C) to the Headboard & Footboard Panel (A & B).



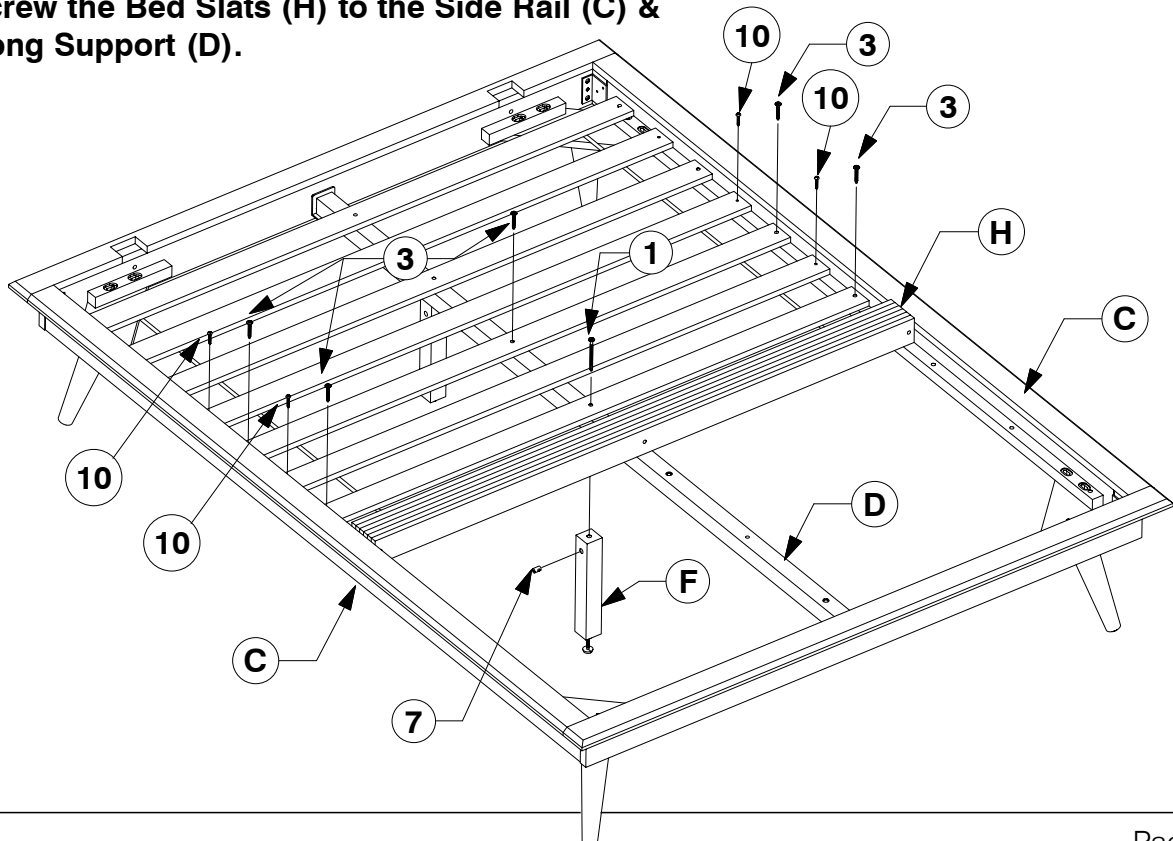
Full Bed

Assembly Instructions

- 12** Fit the first 3 Slats and assemble the Support Leg (F) to the Bed Slat (H). Bolt & screw the Bed Slats (H) to the Side Rail (C) & Long Support (D).



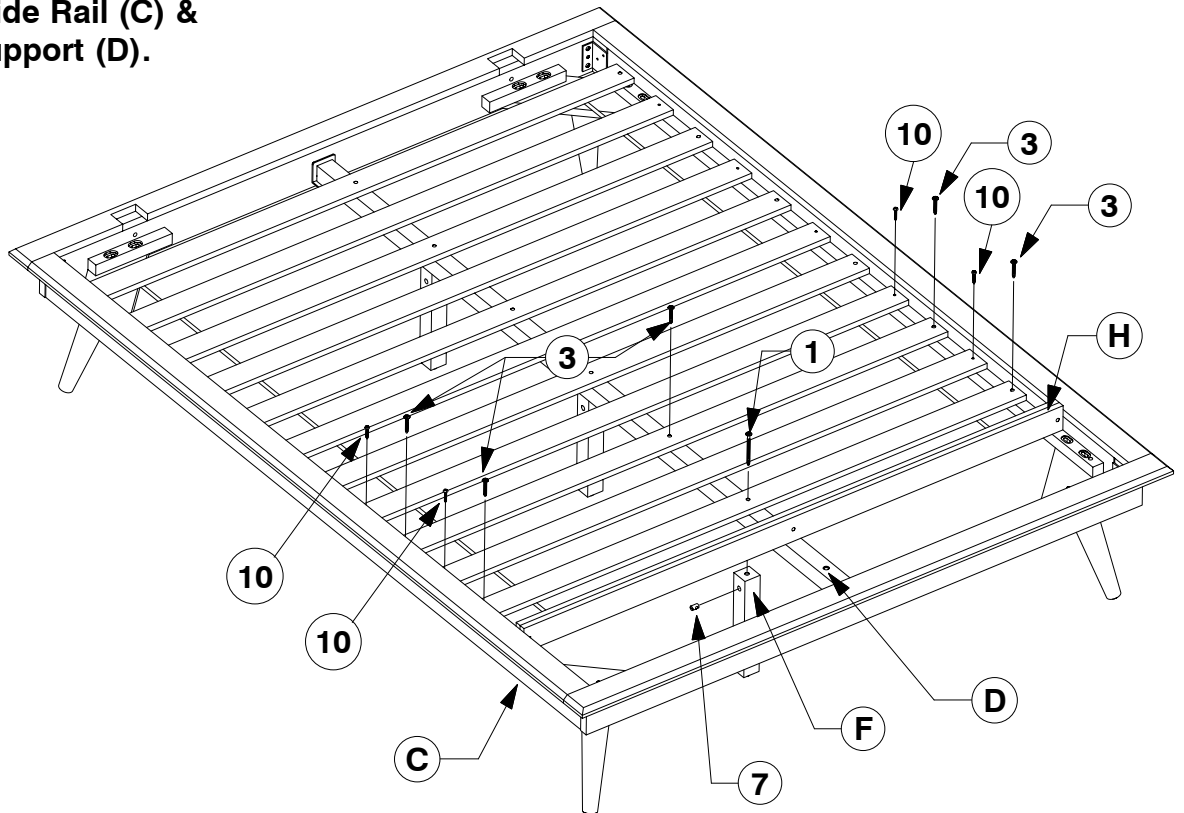
- 13** Fit the other Slats out and assemble the Support Leg (F) to the Bed Slat (H). Bolt & screw the Bed Slats (H) to the Side Rail (C) & Long Support (D).



Full Bed

Assembly Instructions

- 14** Fit the other Slats out and assemble the Support Leg (F) to the Bed Slat (H). Bolt & screw the Bed Slats (H) to the Side Rail (C) & Long Support (D).



- 15** Bolt & screw the remaining Bed Slats (H) to the Side Rail (C).

