

# 1-Light Adjustable Wall Sconce

**Caution:** Please turn off power before installation and read the manual carefully, we advise you contact professional electricians to install for safety purpose.

## Product Features

Style: Modern/Contemporary/Minimalist

Material: Metal

Color: Black+Brass

Base Type: E12

Light Source Included: No

Voltage: 110VAC

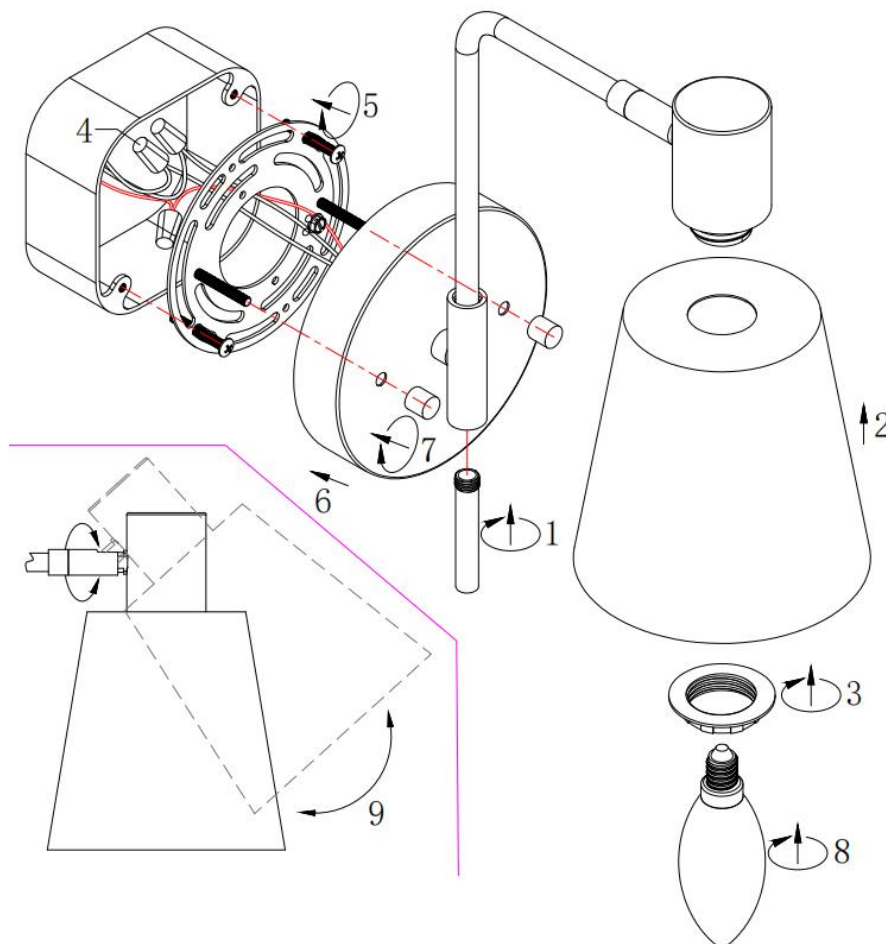
Wattage: 40W

## Package includes

1 x Wall Light

1 x Accessories Kit

1 x User's Manual



## Installation Instructions

1. Tighten the threaded straight pipe (1) on the the lamp arm connection.
2. Use the socket ring (3) to fix the lampshade (2) on the lamp holder.
3. Use the wiring cap (4) to connect the black (live) wire of the lamp to the black (live) wire, and the white (neutral) wire of the lamp to the white (neutral) wire. Ensure no wires are exposed during wiring.
4. Fix the mounting plate to the junction box with screws (5).
5. Fix the lamp body (6) to the mounting plate with the decorative nuts (7).
6. Install the bulb (8) (not included) on the lamp holder.
7. Adjust the lampshade (9) to the appropriate position.

**Note:** Please use this product accordingly to its intended purpose, do not retrofit or remodeling the product. The warranty does not cover if the failure is caused by the third party product, or natural disasters.

Made in China