



# Assembly & Installation Instructions

**CAUTION:** Read instructions carefully and turn electricity off at main circuit breaker panel before beginning installation.

**WARNING** -If any special control devices are used with this fixture, follow the instructions carefully to assure full compliance with N.E.C. requirements. If there are any questions, contact a qualified electrical contractor.

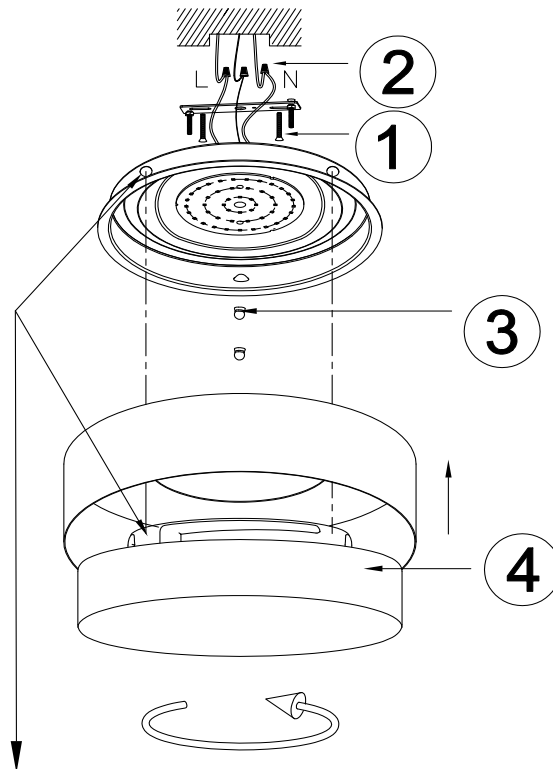
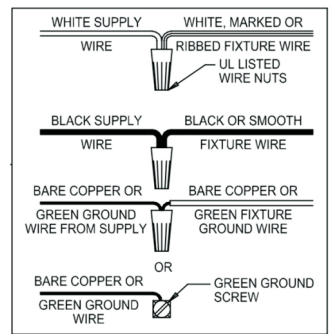
**WARNING** -This product contains chemicals known to the State of California to cause cancer, birth defects, and/or other reproductive harm, Thoroughly wash hands after installing, handling, cleaning or otherwise touching this product.

**CAUTION** -All glass is fragile, use care when handling glass component(s) and or lamp(s). Installation has to be made by a qualified / registered electrician.

Item Number: **C3336XS-LED**

## ASSEMBLY STEPS:

- ① Install the mounting plate on the junction box.
- ② Connect the power cord. →
- ③ Fix the base to the mounting plate by fix nut.
- ④ Install the bulb (Not included) .
- ⑤ Install the glass with the aluminum shade (Rotate) .
- ⑥ Please make sure the base salient point alignment the glass groove then according to the label instruction on the glass to install the glass carefully.



**IMPORTANT:** Please make sure the base salient point ( 6 ) alignment in the glass groove ( 7 ) then according to the label instruction on the glass to rotate the glass carefully.

