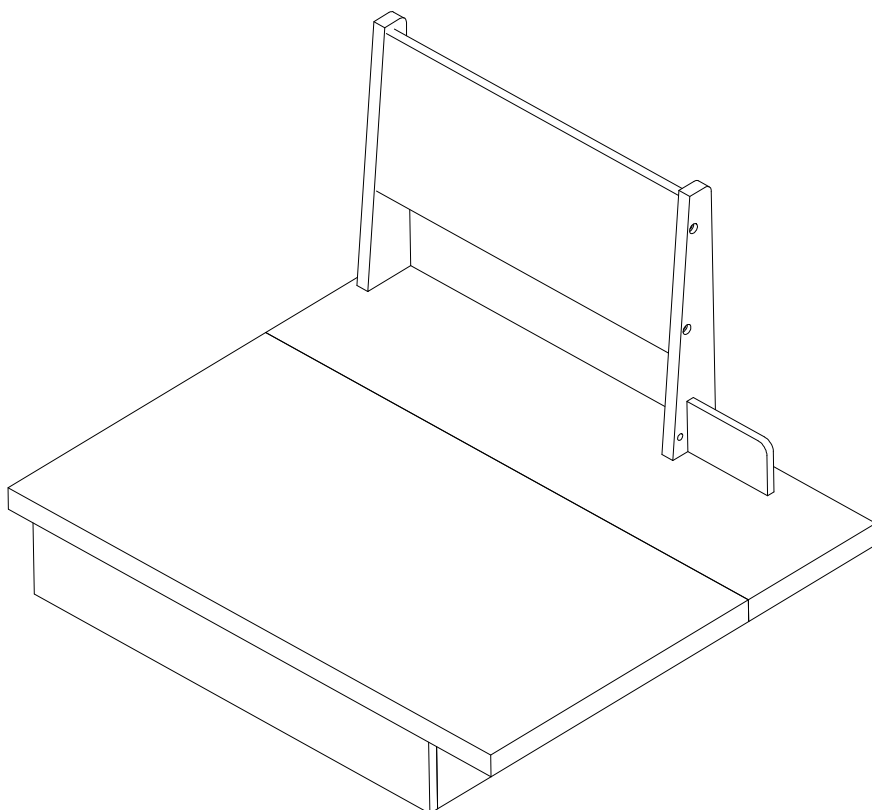
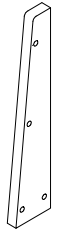

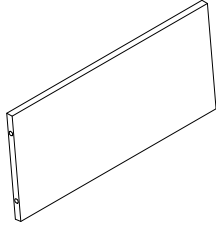
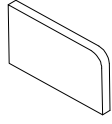
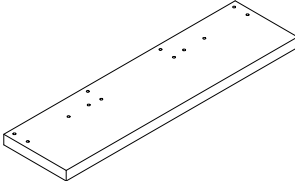
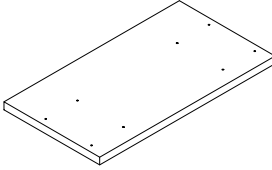
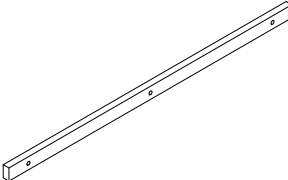
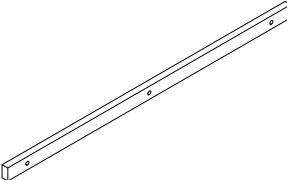
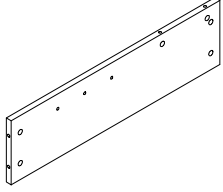
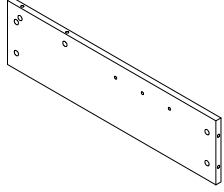
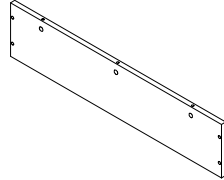
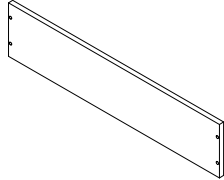
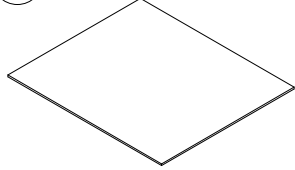


# Installation Instruction


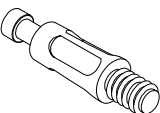
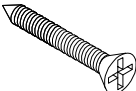



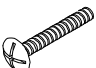





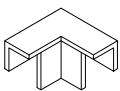
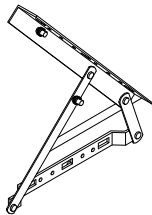
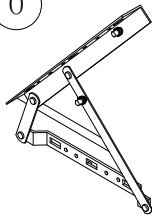
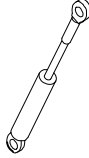
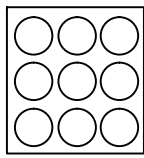


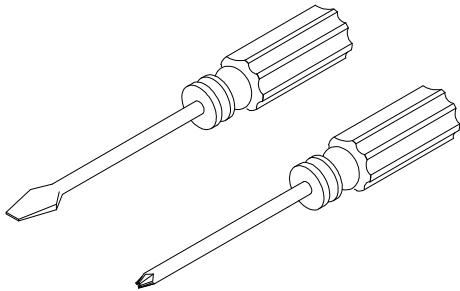
USER'S MANUAL  
S2112K  
(L) single sofa

# PARTS LIST

<p>1</p> 	<p>2</p> 	<p>3</p> 	<p>4</p> 
(L) back cube panel=1	(R) back cube panel=1	backplane=1	back baffle=1
<p>5</p> 	<p>6</p> 	<p>7</p> 	<p>8</p> 
back panel=1	front panel=1	742 long zipper=2	830 long zipper=2
<p>9</p> 	<p>10</p> 	<p>11</p> 	<p>12</p> 
left side panel=1	right side panel=1	back side panel=1	front side panel=1
<p>13</p> 			
bottom panel=1			

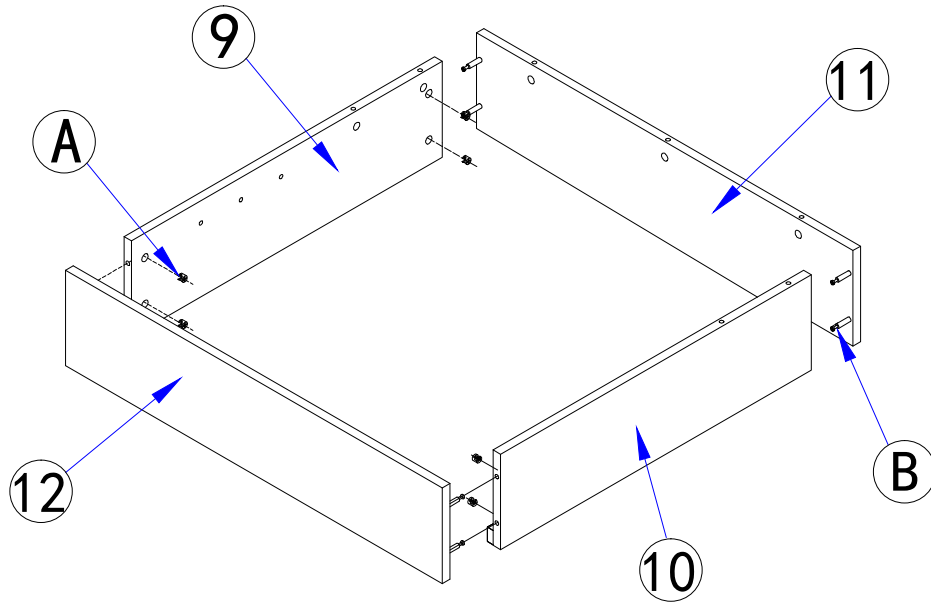
# HARDWARE LIST

<p>(A)</p> 	<p>(B)</p> 	<p>(C)</p> 	<p>(D)</p> 	
cam lock (20 pcs)	rod (20 pcs)	4*25 self-tapping screw=16	rubber pad=14	
<p>(E)</p> 	<p>(F)</p> 	<p>(G)</p> 	<p>(H)</p> 	
8mm gasket=8	8*70 big flat screw=4	8*50 big flat screw=4	8mm hammer nut=8	
<p>(I)</p> 	<p>(J)</p> 	<p>(K)</p> 	<p>(L)</p> 	
6mm gasket=10	6*16 big flat screw =10	rubber cover (20) =4	rubber cover (10) =4	
<p>(M)</p> 	<p>(N)</p> 	<p>(O)</p> 	<p>(P)</p> 	
rubber edge protector=4	left pneumatic rod=1	right pneumatic rod=1	pneumatic rod=2	hole sticker=24



phillips head screw driver required  
for assemble---not include

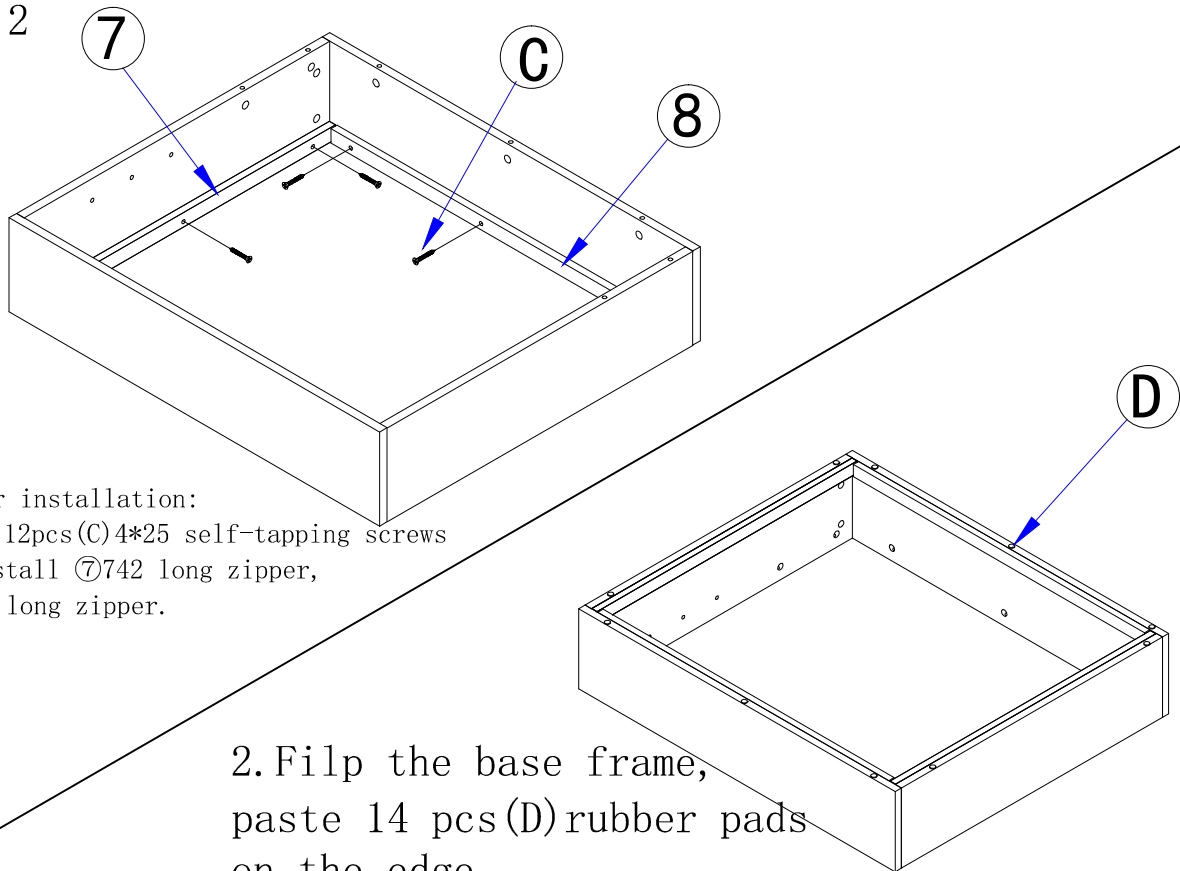
## Step 1



### Base frame installation:

1. Use eight pcs (A) cam locks, eight pcs (B) rods to connect ⑨ left side panel, ⑩ right side panel and ⑪ back side panel, ⑫ front side panel.

## Step 2

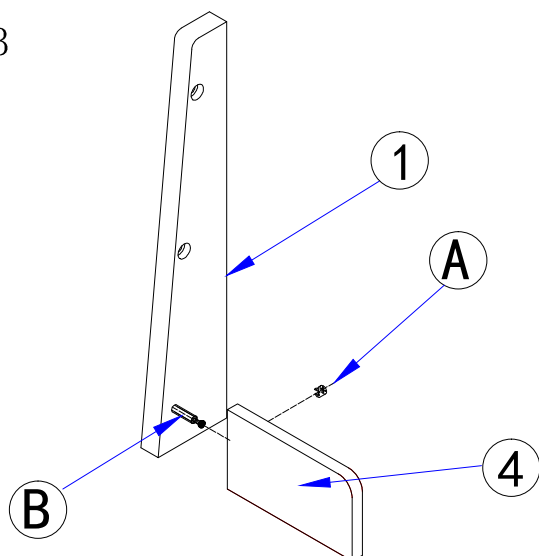


### Zipper installation:

1. Use 12 pcs (C) 4\*25 self-tapping screws to install ⑦ 742 long zipper, ⑧ 830 long zipper.

2. Flip the base frame, paste 14 pcs (D) rubber pads on the edge.

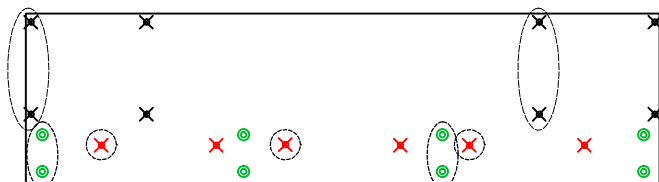
Step 3



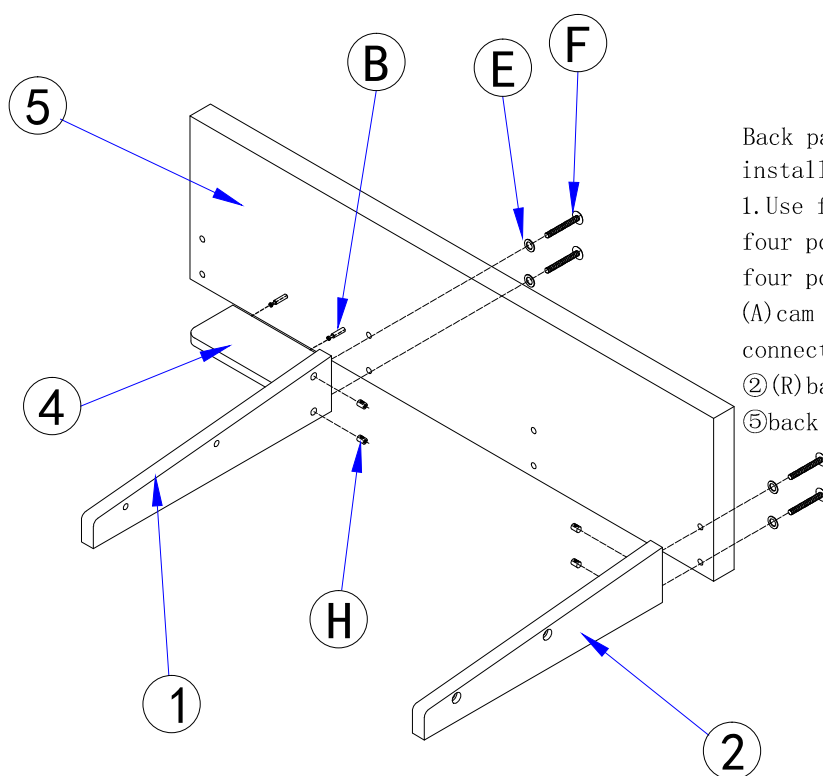
Back cube panel and back baffle installation:

1. Use one pcs (A) cam locks, one pcs (B) rods to connect ①back cube panel and ④back baffle.

Step 4



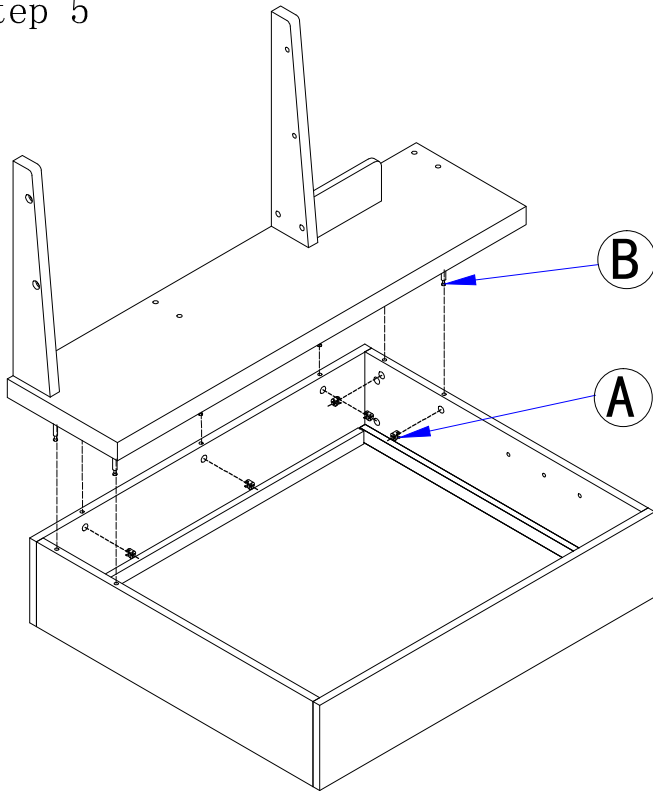
Left sofa back panel installation  
Hole map indication



Back panel and back cube panel installation:

1. Use four pcs (E) 8mm gaskets, four pcs (F) 8\*70 big flat screws, four pcs (H) 8mm hammer nuts, two pcs (A) cam locks, two pcs (B) rods to connect ①(L) back cube panel, ②(R) back cube panel, ④back baffle, ⑤back panel.

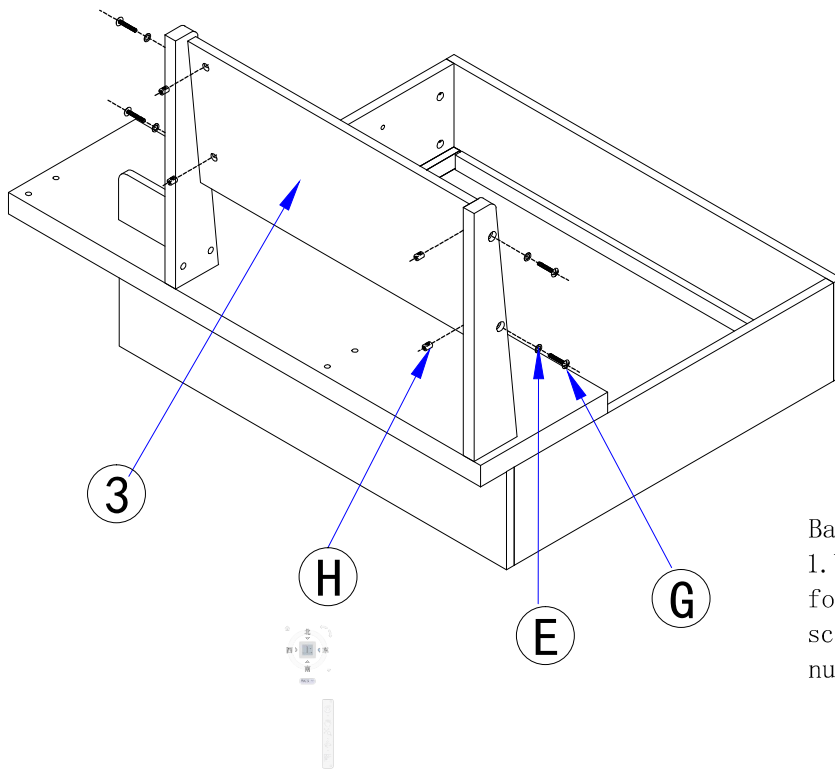
### Step 5



#### 6. Base frame and back panel installation:

1. Use seven pcs (A) cam locks, seven pcs (B) rods to connect base frame and back panel.

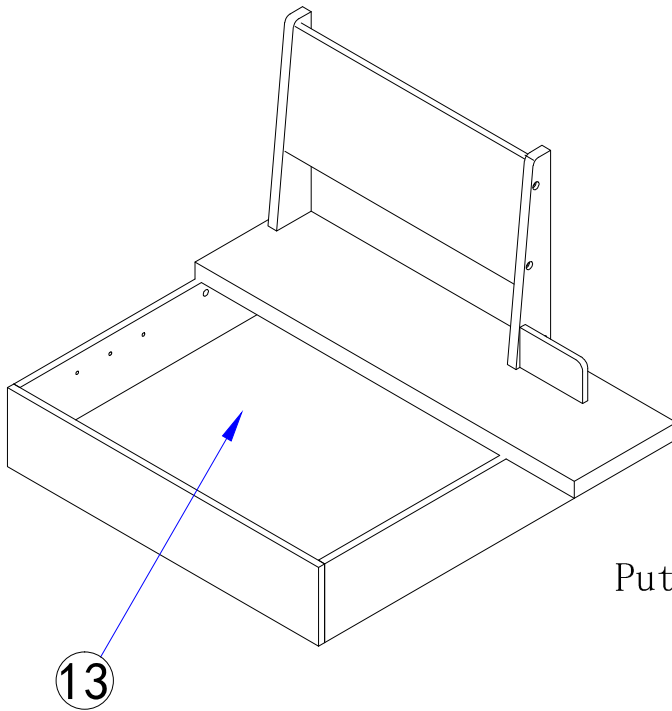
### Step 6



#### Backplane installation:

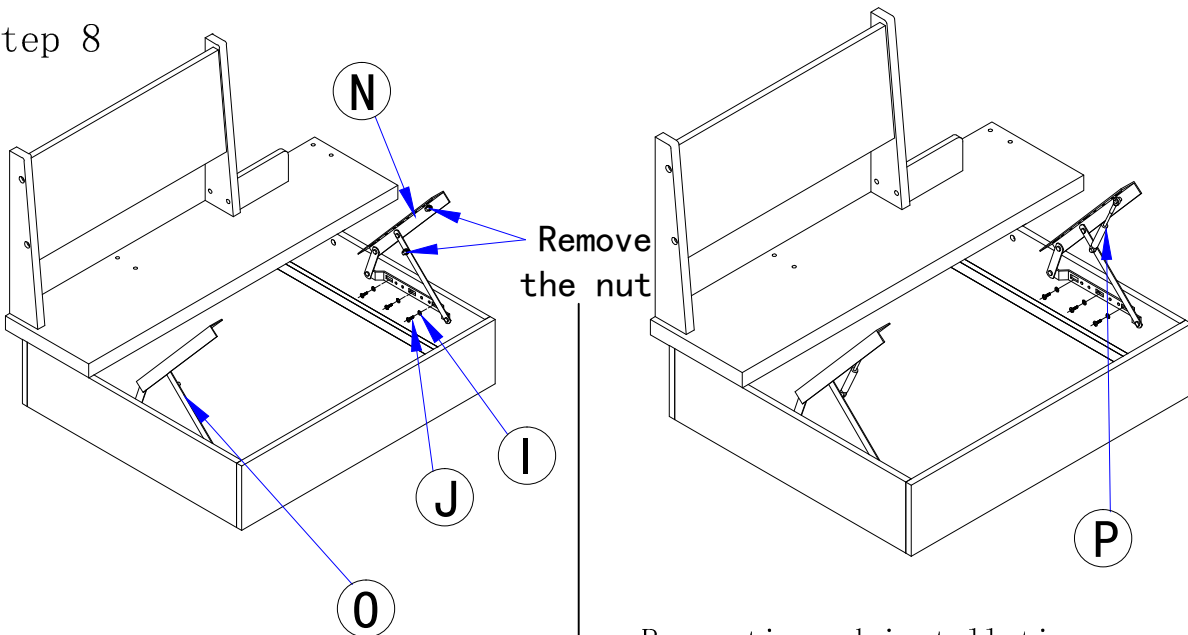
1. Use four pcs (E) 8mm gaskets, four pcs (G) 8\*50 big flat screws, four pcs (H) 8mm hammer nuts to install ③ backplane.

### Step 7



Put in 13 bottom panel.

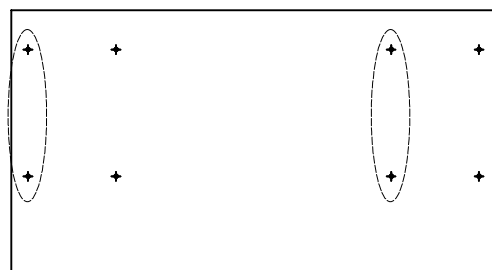
### Step 8



Pneumatic rod installation:  
1. Use six pcs(I)6mm gaskets,  
six pcs(J)6\*16 big flat screws  
to install(N)left pneumatic rod  
and(O)right pneumatic rod.

Pneumatic rod installation:  
2. Install(P)pneumatic rod with  
the removed nut.  
Note:The nut is divided in to  
front and back.

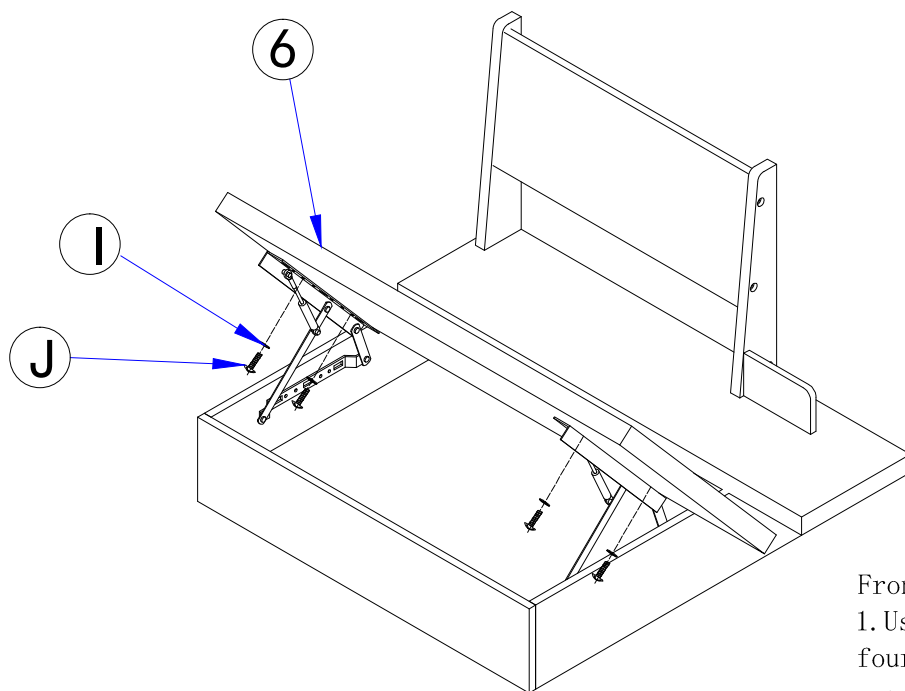
## Step 9



(Front)

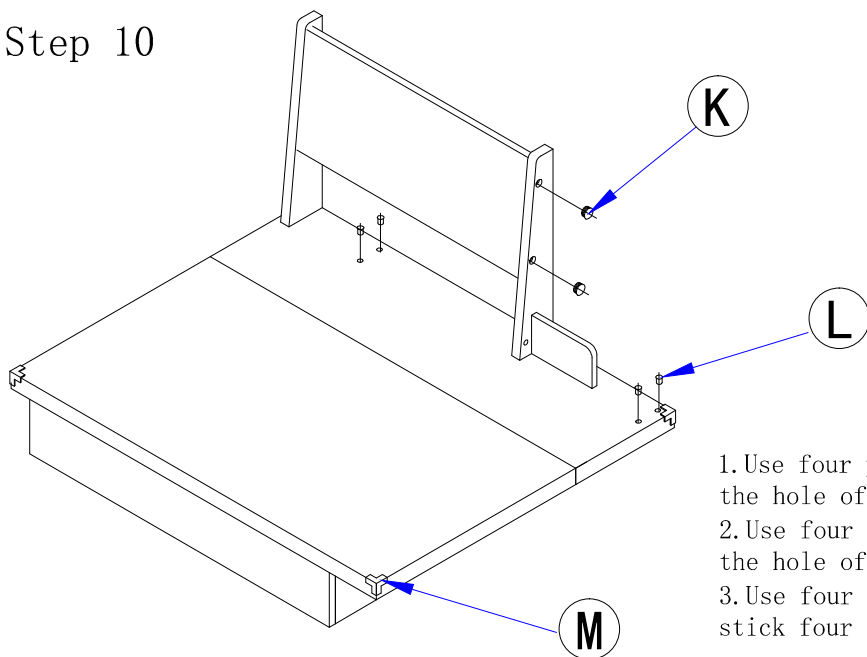
Left sofa front panel  
installation hole map indication  
Pay attention to the front  
and back when installing.

(Back)

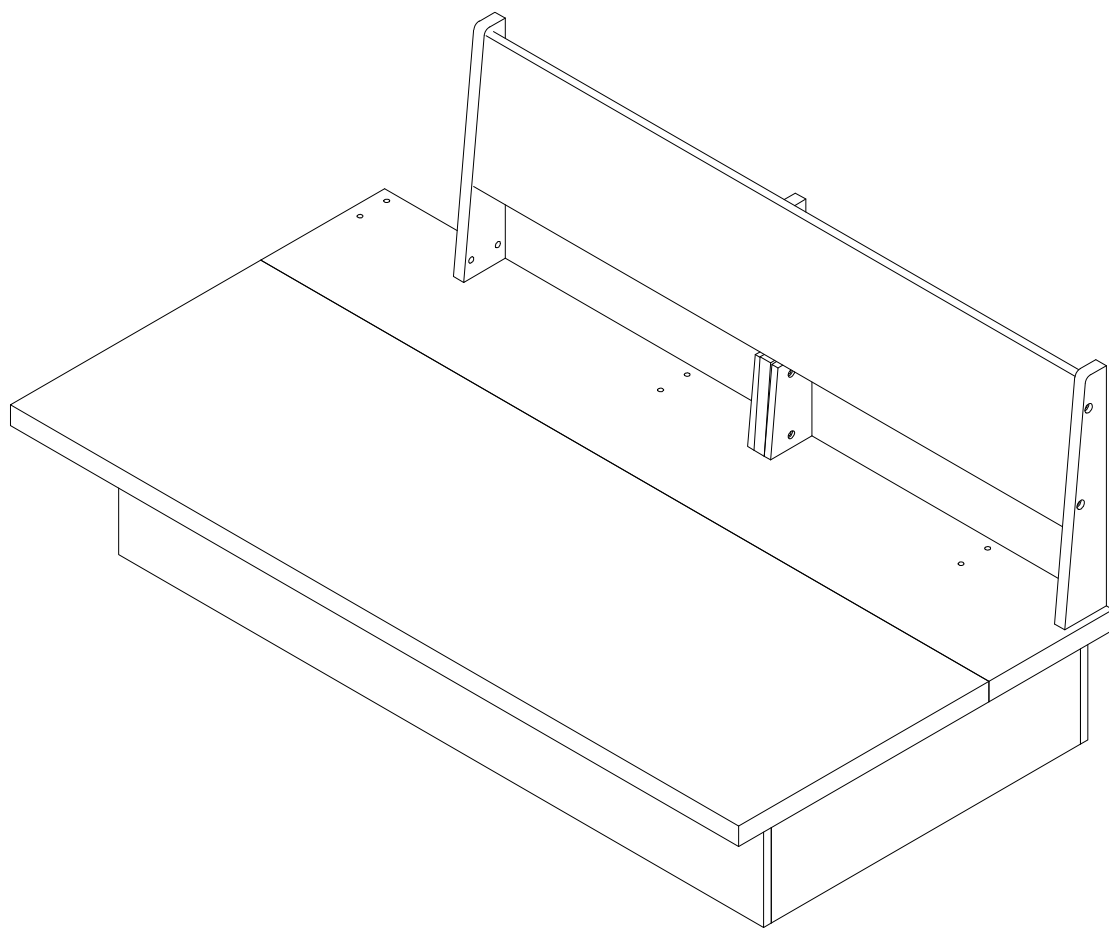


Front panel installation:  
1. Use four pcs (I) 6mm gaskets,  
four pcs (J) 6\*16 big flat  
screws to install front panel.

## Step 10






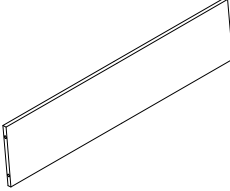
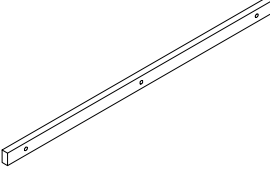
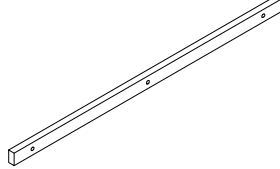
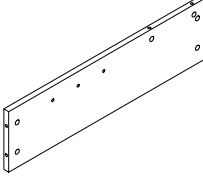
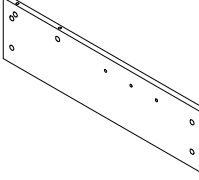
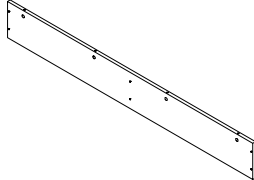
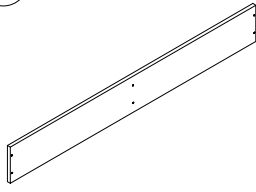
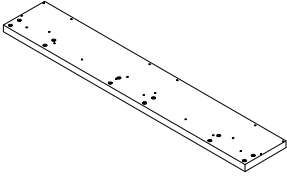
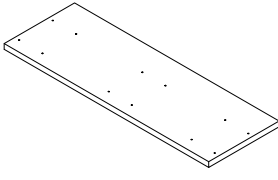
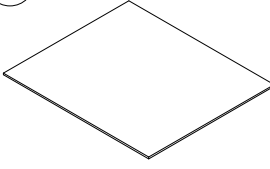


1. Use four pcs (K) rubber cover (20) to cover  
the hole of back cube panel.  
2. Use four pcs (L) rubber cover (10) to cover  
the hole of back panel.  
3. Use four pcs (M) rubber edge protector to  
stick four corners of the sofa.

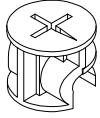
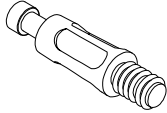
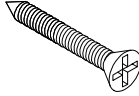


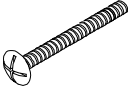




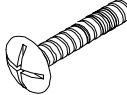
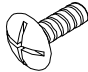


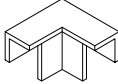
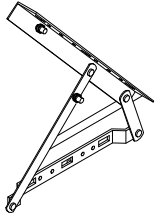
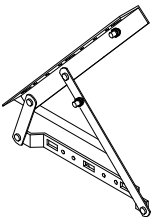
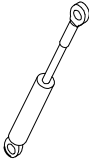
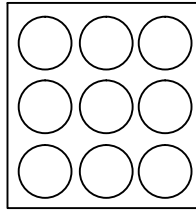
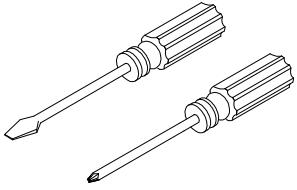


USER'S MANUAL  
S2112K (L)  
two seaters sofa

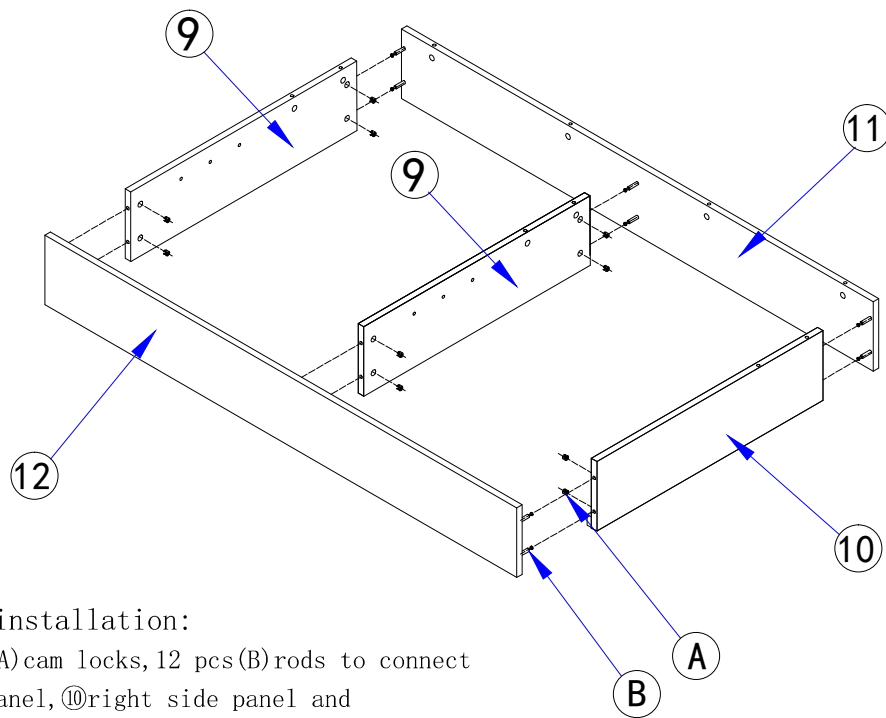
## PARTS LIST

<p>1</p> 	<p>2</p> 	<p>3</p> 	<p>4</p> 
(L) back cube panel=1	(R) back cube panel=1	middle back cube panel=1	left back baffle=1
<p>5</p> 	<p>6</p> 	<p>7</p> 	<p>8</p> 
right back baffle=1	back panel=1	744 long zipper=4	716 long zipper=4
<p>9</p> 	<p>10</p> 	<p>11</p> 	<p>12</p> 
left side panel=2	right side panel=1	back side panel=1	front side panel=1
<p>13</p> 	<p>14</p> 	<p>15</p> 	
back panel=1	front panel=1	bottom panel=2	

## HARDWARE LIST

A	B	C	D
			
cam lock (24 pcs)	rod (24 pcs)	4*25 self-tapping screw =30	rubber pad=16
E	F	G	H
			
8mm gasket=12	8*70 big flat screw=6	8*50 big flat screw=4	8mm hammer nut=10
I	J	K	L
			
8*30 big flat screw=2	6mm gasket=20	6*25 big flat screw=4	6*16 big flat screw=15
M	N	O	P
			
rubber cover (10) =6	rubber cover (20) =6	rubber edge protector=4	left pneumatic rod=2
Q	R		
			
right pneumatic rod=1	pneumatic rod=3	hole sticker=30	phillips head screw driver required for assemble—not include

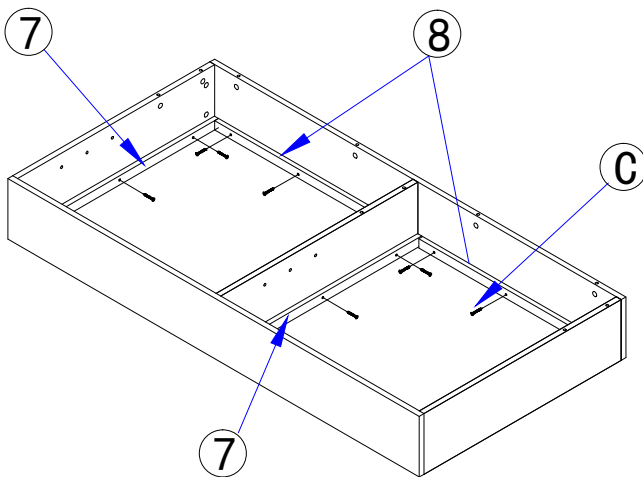
## Step 1



Base frame installation:

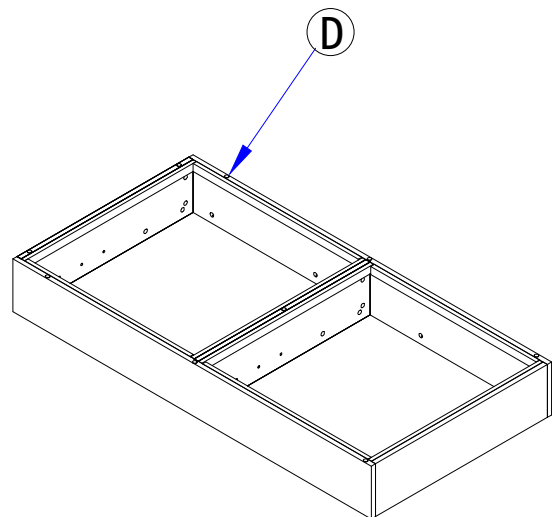
1. Use 12 pcs(A) cam locks, 12 pcs(B) rods to connect  
⑨left side panel, ⑩right side panel and  
⑪back side panel, ⑫front side panel.

## Step 2



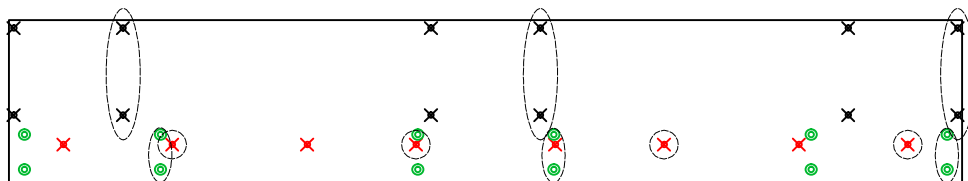
Zipper installation:

1. Use 24 pcs(C) 4\*25 self-tapping screws to install ⑦744 long zipper and ⑧716 long zipper.

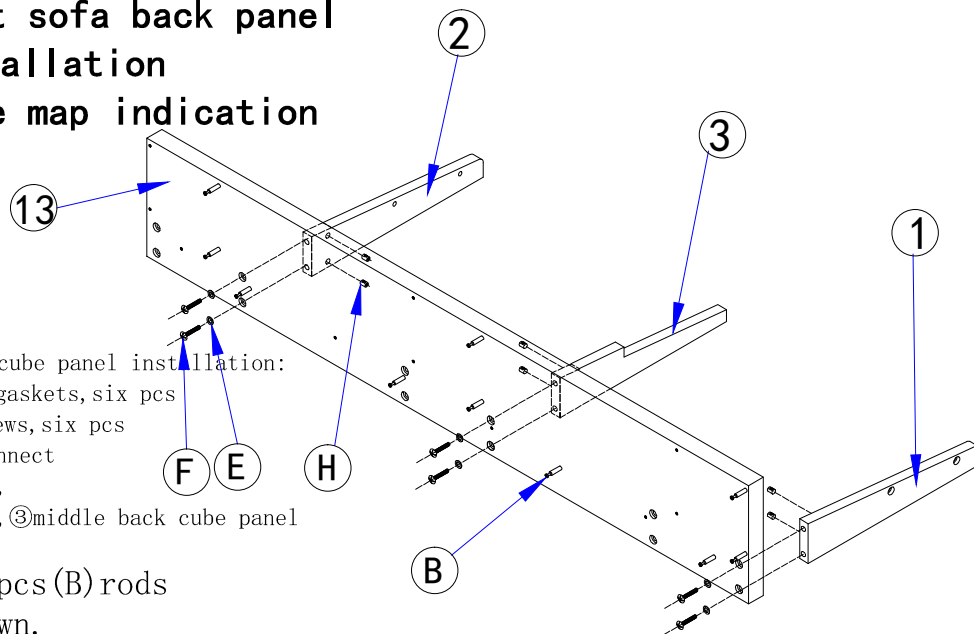


2. Flip the base frame, stick 16 pcs(D) rubber pads on the edge.

### Step 3



### Left sofa back panel installation Hole map indication

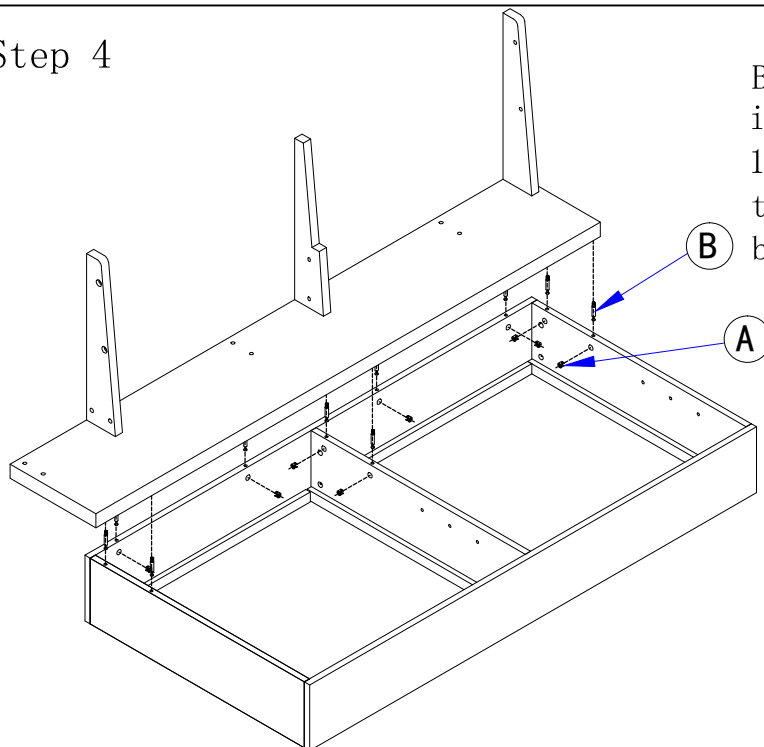


Back panel and back cube panel installation:

1. Use six pcs (E) 8mm gaskets, six pcs (F) 8\*70 big flat screws, six pcs (H) hammer nuts to connect  
①(L) back cube panel,  
②(R) back cube panel, ③ middle back cube panel  
and ⑬ back panel.

2. Install ten pcs (B) rods  
as picture shown.

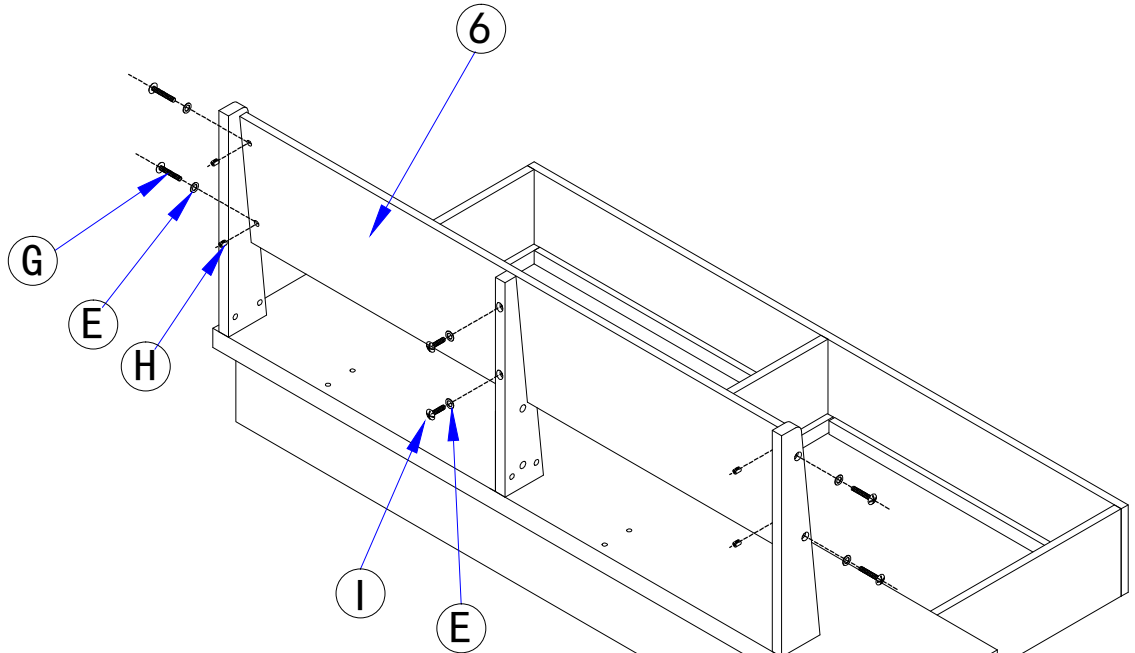
### Step 4



Base frame and back panel installation:

1. Use ten pcs (A) cam locks,  
ten pcs (B) rods to connect  
base frame and ⑬ back panel.

## Step 5



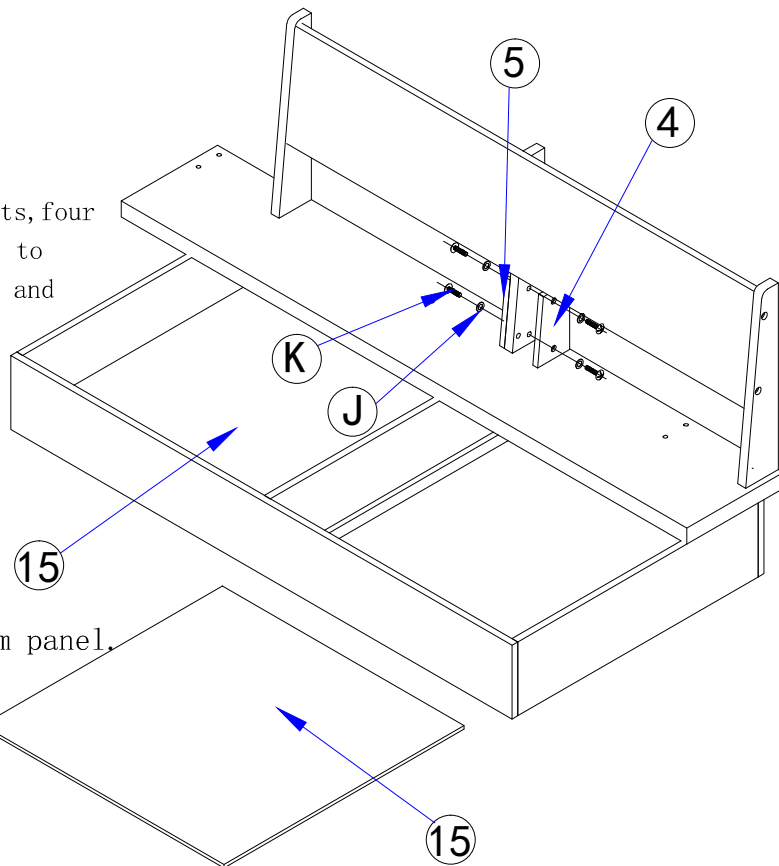
Back panel installation:

1. Use six pcs (E) 8mm gaskets, four pcs (G) 8\*50 big flat screws, four pcs (H) 8mm hammer nuts and two pcs (I) 8\*30 big flat screws to install ⑥ back panel.

## Step 6

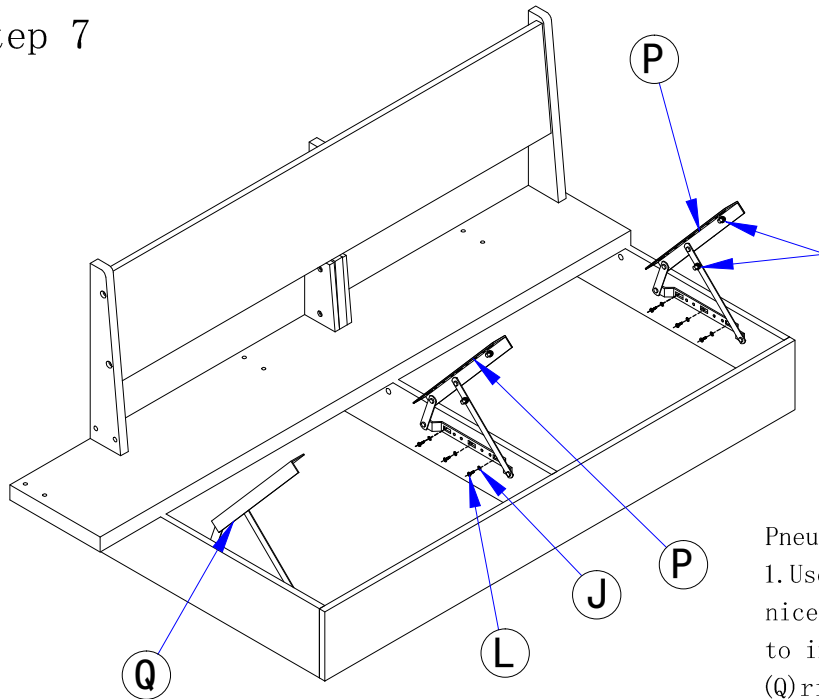
Back baffle installation:

1. Use four pcs (J) 6mm gaskets, four pcs (K) 6\*25 big flat screws to install ④ left back baffle and ⑤ right back baffle.



2. Put in ⑮ bottom panel.

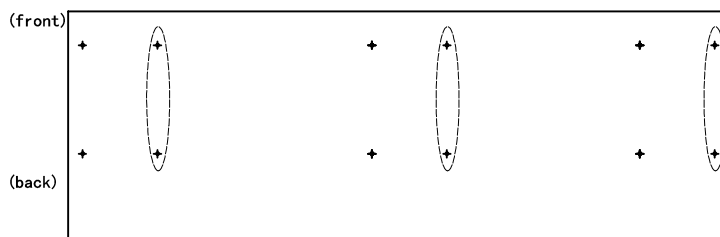
## Step 7



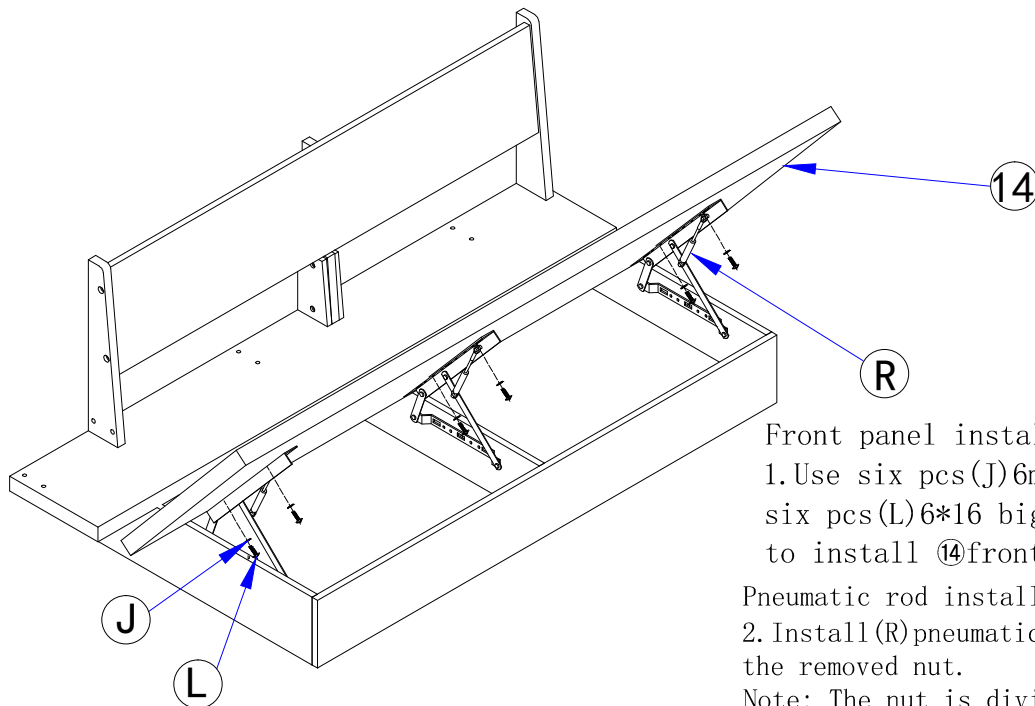
Remove  
the nuts

Pneumatic rod installation:  
1. Use nice pcs(J) 6mm gaskets,  
nice pcs(L) 6\*16 big flat screws  
to install (P) left pneumatic rod,  
(Q) right pneumatic rod.

## Step 8



Left sofa front panel  
installation  
Hole map indication  
Pay attention to the front  
and back when installing

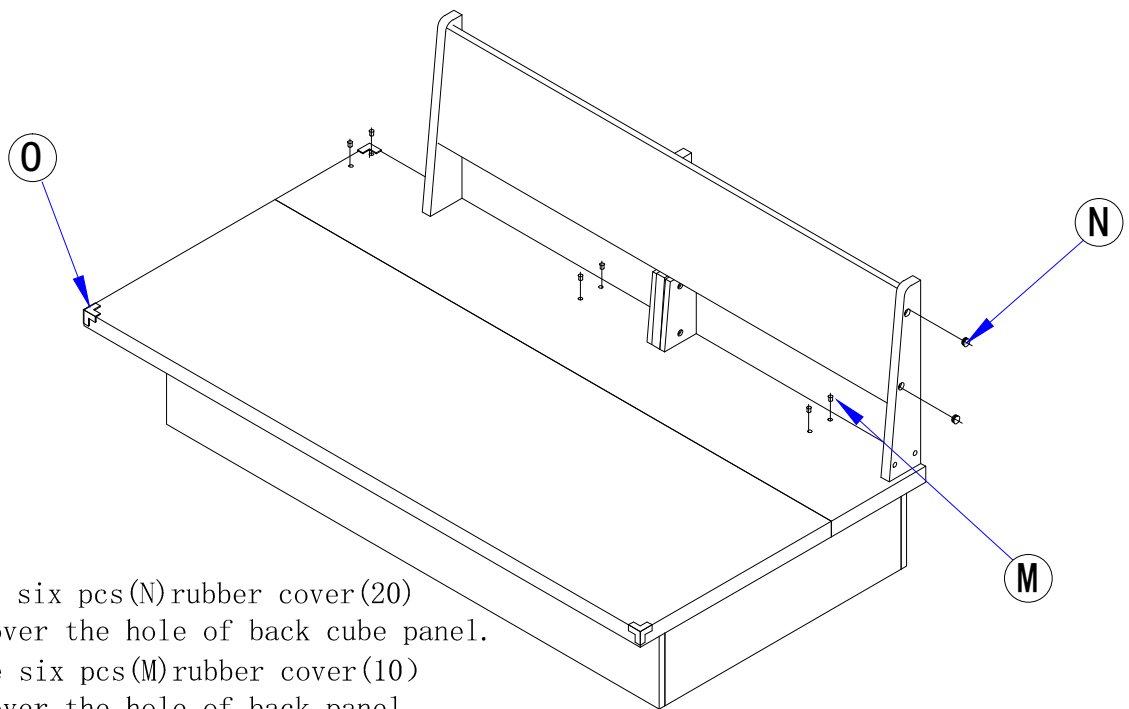


Front panel installation:  
1. Use six pcs(J) 6mm gaskets,  
six pcs(L) 6\*16 big flat screws  
to install ⑭ front panel.

Pneumatic rod installation:  
2. Install (R) pneumatic rod with  
the removed nut.

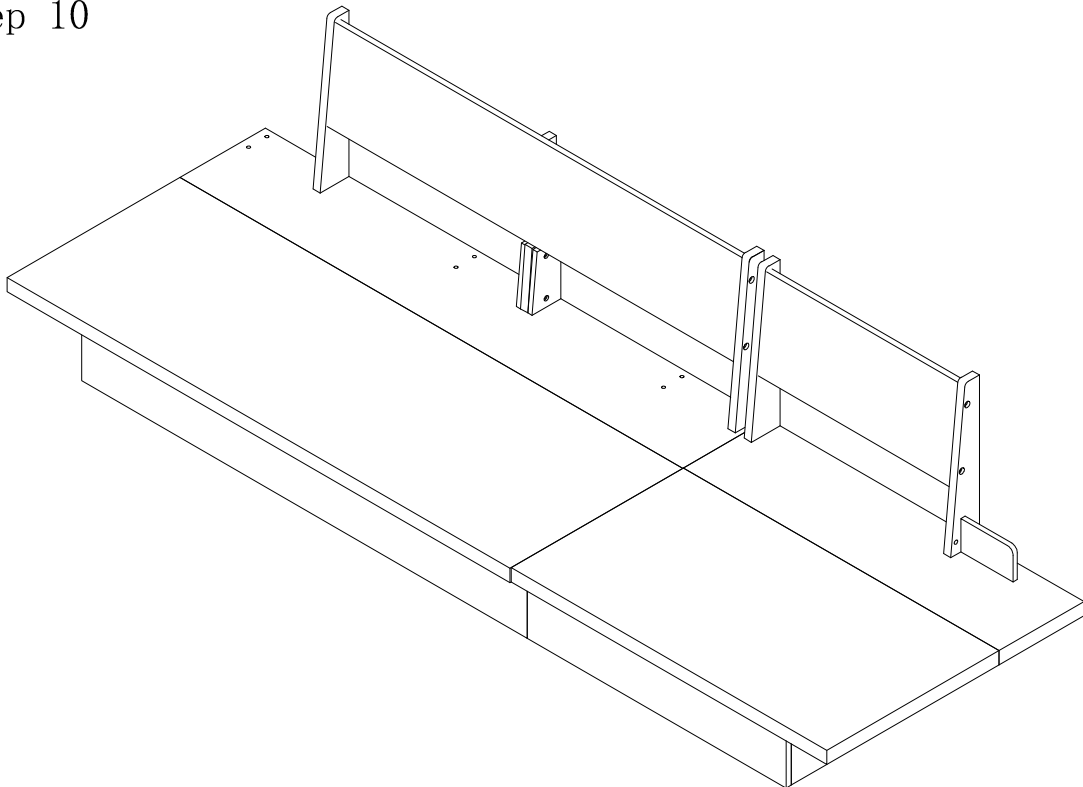
Note: The nut is divided into  
front and back.

## Step 9

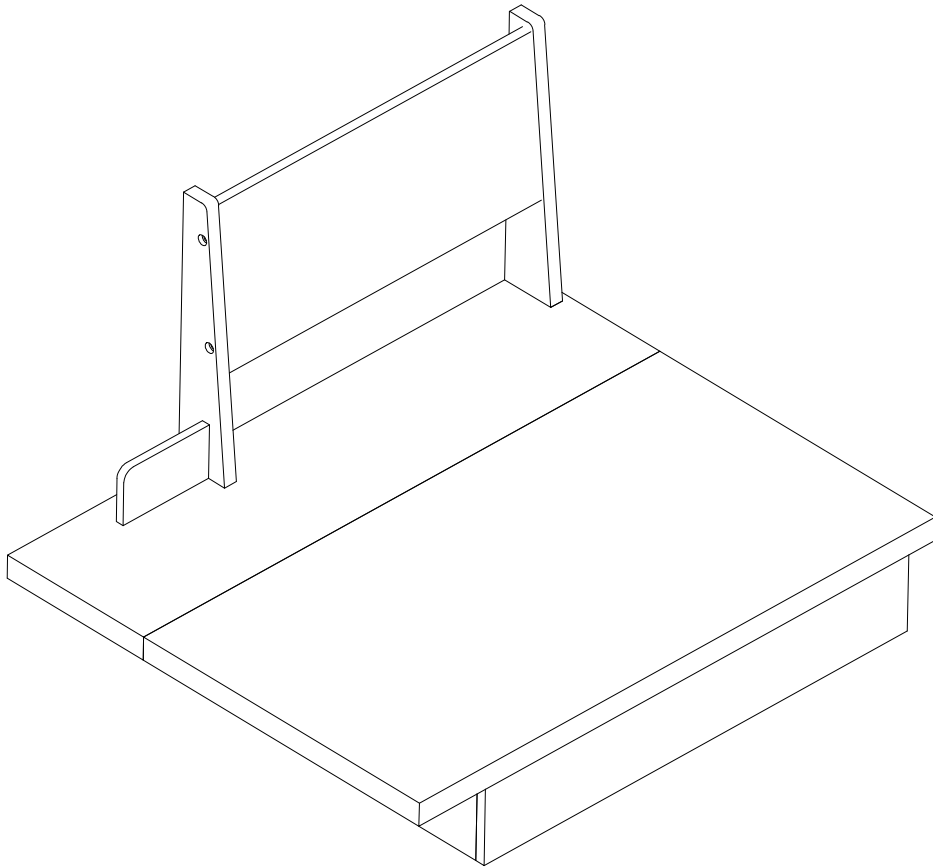


1. Use six pcs(N)rubber cover(20) to cover the hole of back cube panel.
2. Use six pcs(M)rubber cover(10) to cover the hole of back panel.
3. Use four pcs(O)rubber edge protectors to stick four corners of sofa.

## Step 10



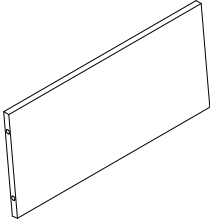
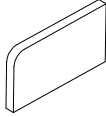
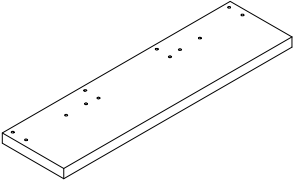
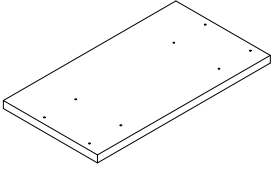
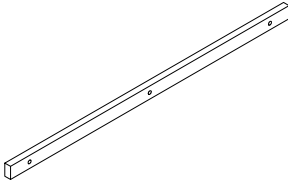
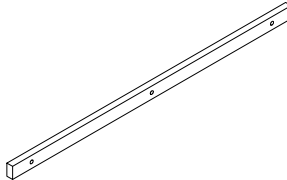
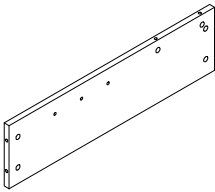
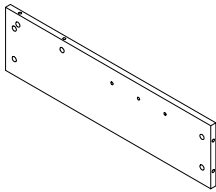
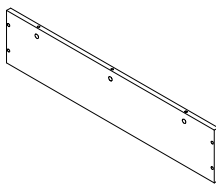
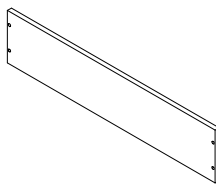
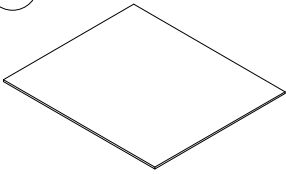


# Installation Instruction

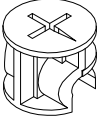
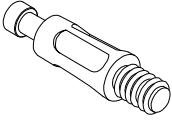
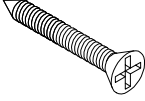


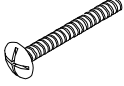
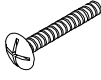


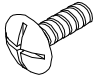
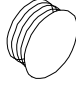

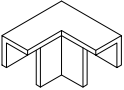
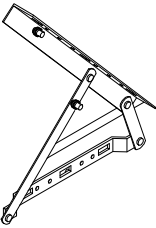
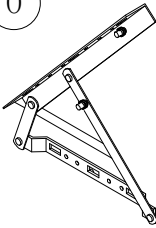
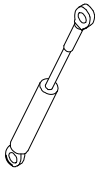
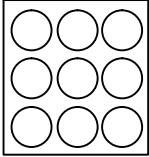


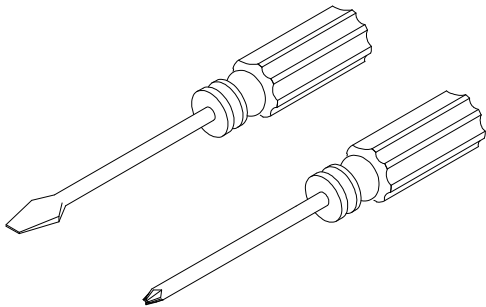
USER'S MANUAL  
S2112K (R) single sofa

# PARTS LIST

			
(L) back cube panel=1	(R) back cube panel=1	backplane=1	back baffle=1
			
back panel=1	front panel=1	742 long zipper=2	830 long zipper=2
			
left side panel=1	right side panel=1	back side panel=1	front side panel=1
			
bottom panel=1			

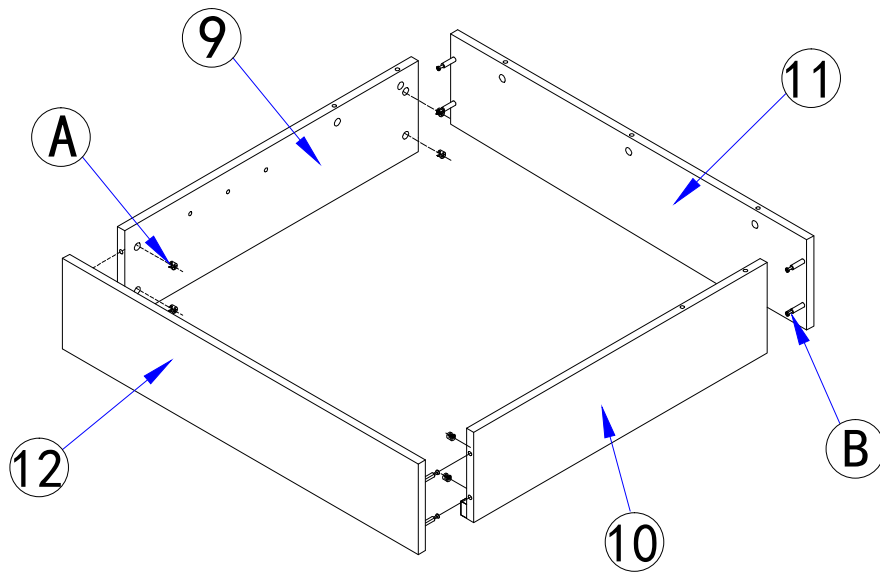
# HARDWARE LIST

				
cam lock (20 pcs)	rod (20 pcs)	4*25 self-tapping screw=16	rubber pad=14	
				
8mm gasket=8	8*70 big flat screw=4	8*50 big flat screw=4	8mm hammer nut=8	
				
6mm gasket=10	6*16 big flat screw=10	rubber cover (20) =4	rubber cover (10) =4	
				
rubber edge protector=4	left pneumatic rod=1	right pneumatic rod=1	pneumatic rod=2	hole sticker=24



phillips head screwdriver required  
for assemble---not include

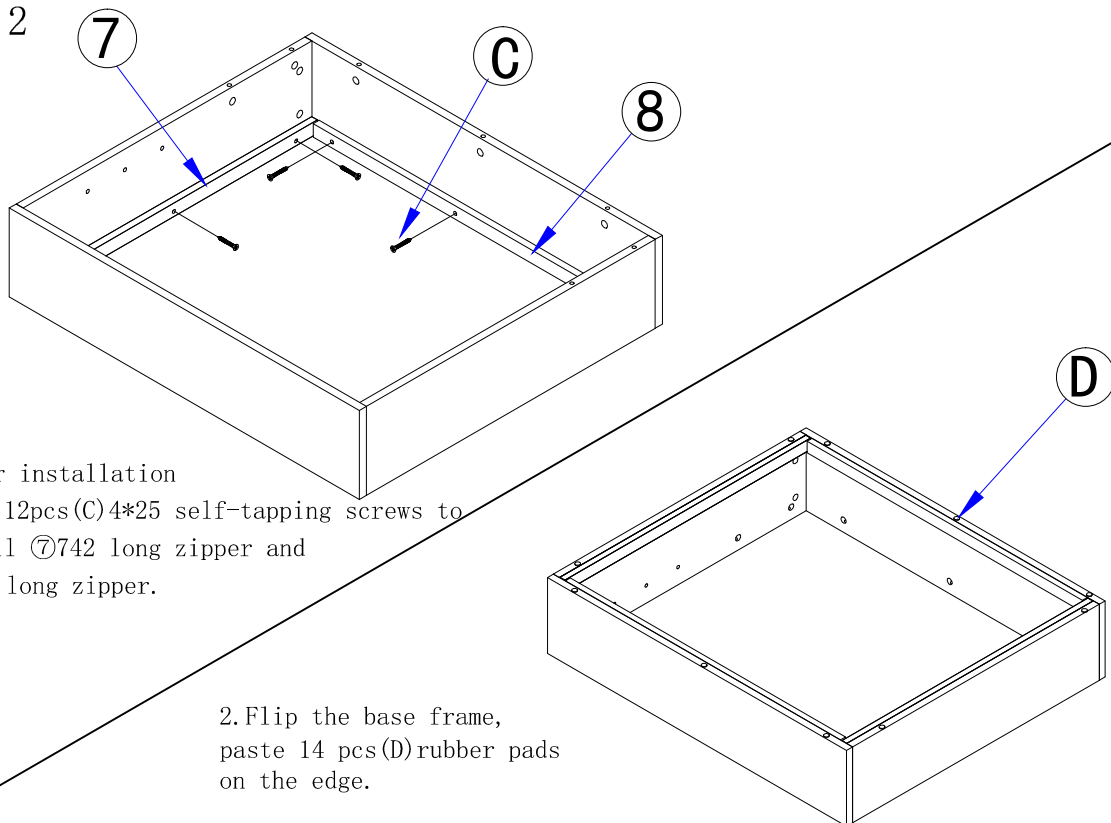
## Step 1



### Base frame installation

1. Use eight pcs(A) cam locks, eight pcs(B) rods to connect ⑨left side panel, ⑩right side panel and ⑪back side panel, ⑫front side panel.

## Step 2

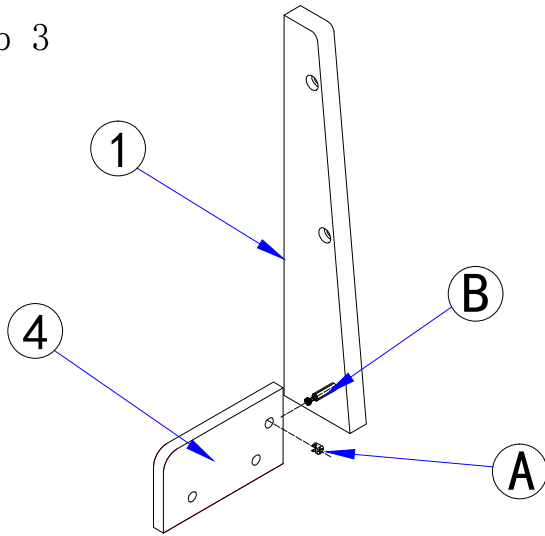


### Zipper installation

1. Use 12pcs(C) 4\*25 self-tapping screws to install ⑦742 long zipper and ⑧830 long zipper.

2. Flip the base frame, paste 14 pcs(D) rubber pads on the edge.

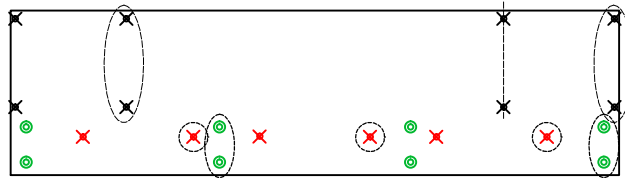
### Step 3



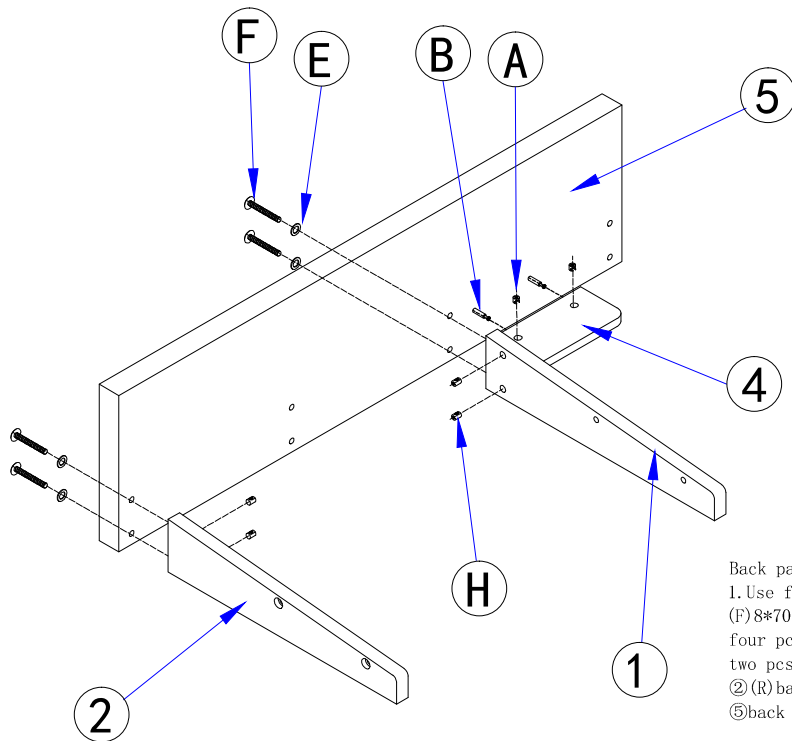
Back cube panel and back baffle installation:

1. Use one pcs (A) cam locks, one pcs (B) rods to connect ①back cube panel and ④back baffle.

### Step 4



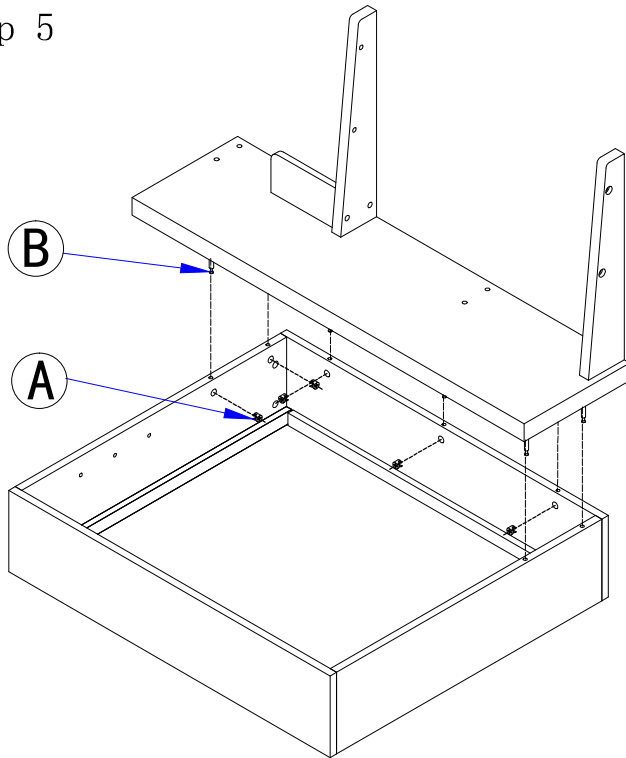
Right sofa back panel installation  
Hole map indication



Back panel and back cube panel installation:

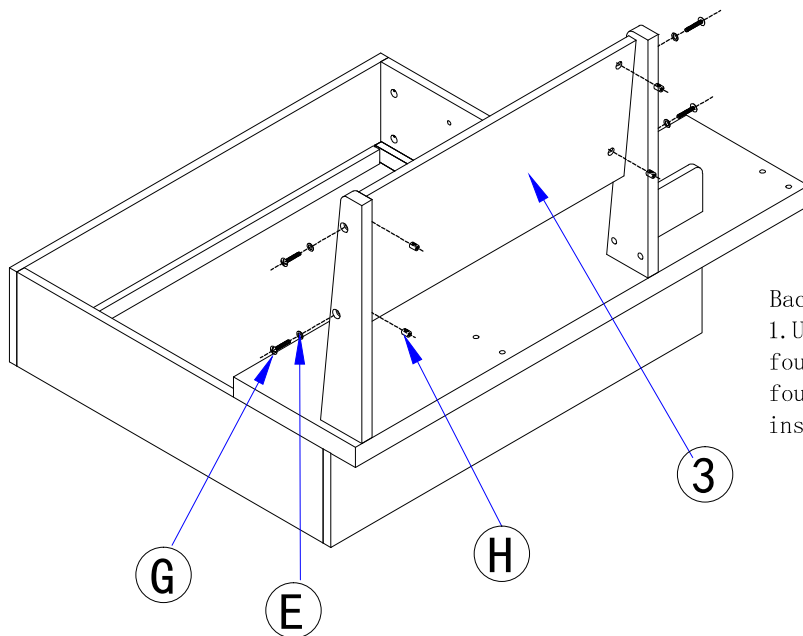
1. Use four pcs (E) 8mm gasket, four pcs (F) 8\*70 big flat screws, four pcs (H) 8mm hammer nuts, two pcs (A) cam locks, two pcs (B) rods to connect ①(L) back cube panel, ②(R) back cube panel, ④back baffle, ⑤back panel.

### Step 5



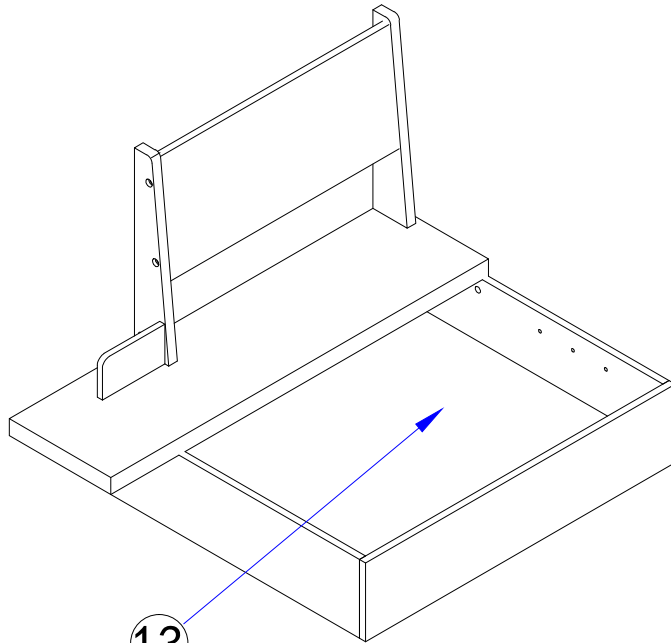
Base frame and back panel installation:  
1. Use seven pcs (A) cam locks, seven pcs (B) rods to connect base frame and back panel.

### Step 6



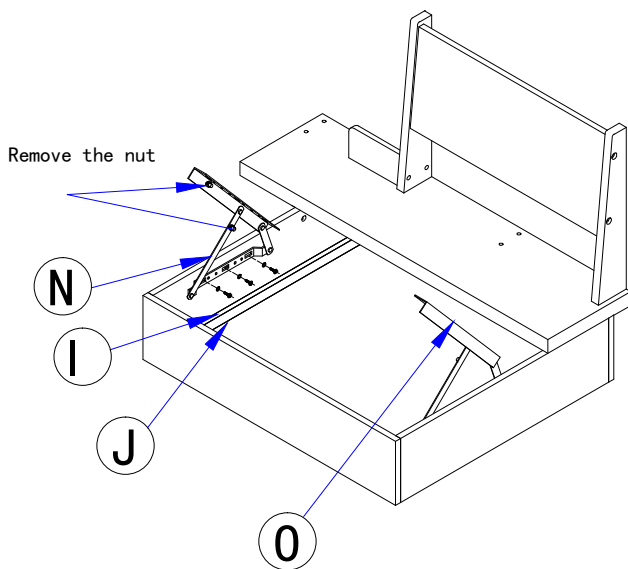
Backplane installation:  
1. Use four pcs (E) 8mm gaskets, four pcs (G) 8\*50 big flat screws, four pcs (H) 8mm hammer nuts to install ③ backplane.

## Step 7

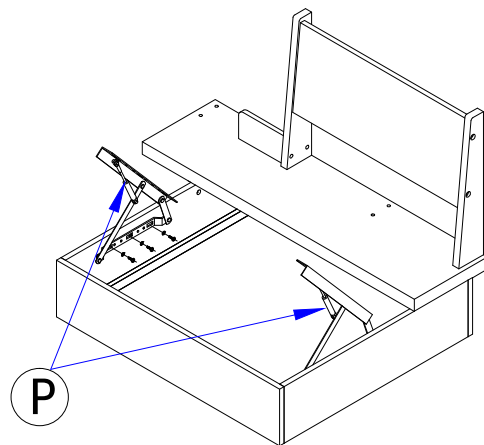


Put in ⑬ bottom panel.

## Step 8

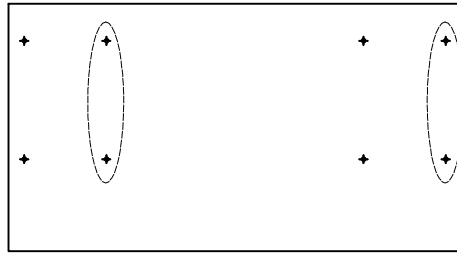


Pneumatic rod installation:  
1. Use six pcs (I) 6mm gaskets, six pcs (J) 6\*16 big flat screws to install (N) left pneumatic rod and (O) right pneumatic rod.

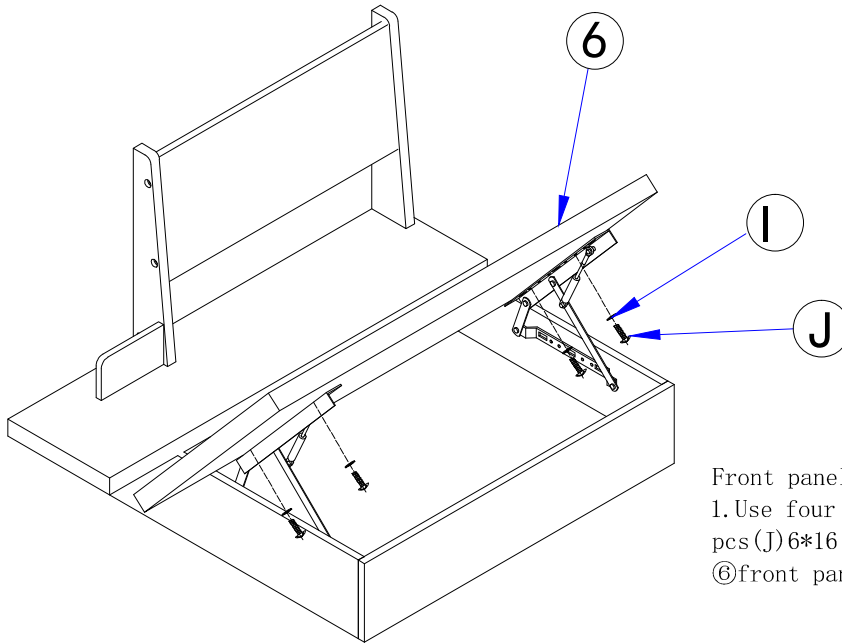


Pneumatic rod installation:  
2. Install (P) pneumatic rod with the removed nut.  
Note: The nut is divided into front and back.

Step 9

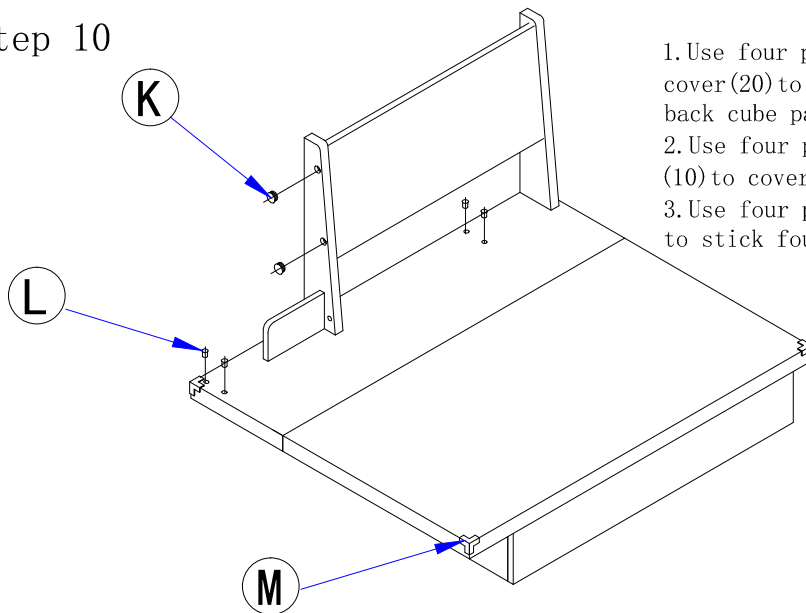


Right sofa front panel  
installation hole map indication  
Pay attention to the  
front and back when installing

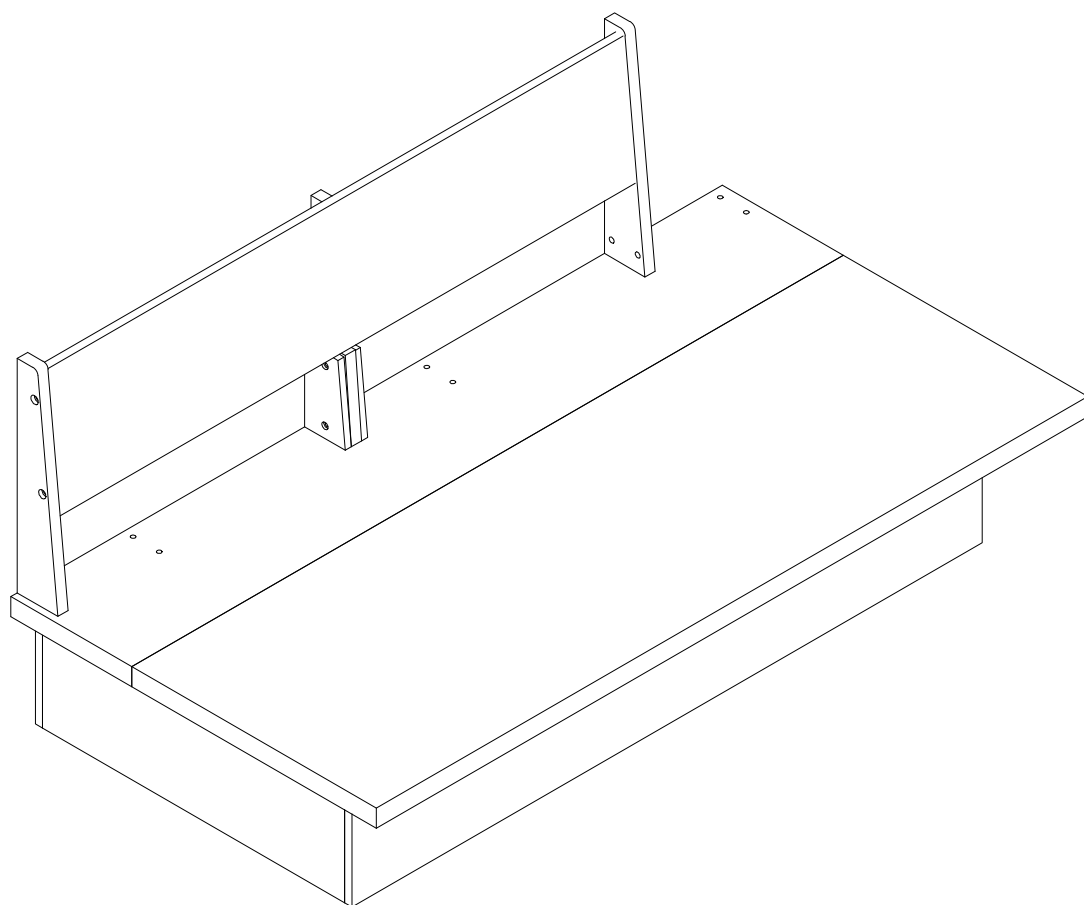


Front panel installation:  
1. Use four pcs(I)6mm gaskets, four  
pcs(J)6\*16 big flat screws to install  
⑥front panel.

Step 10






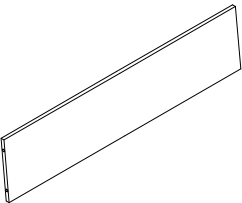
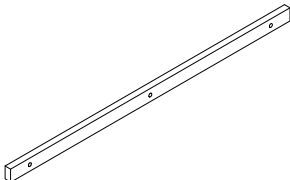
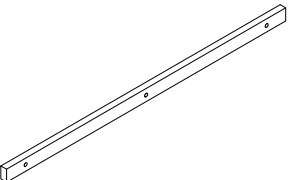
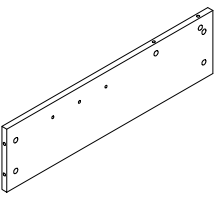
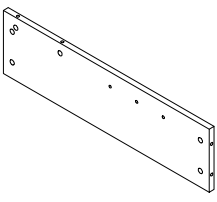
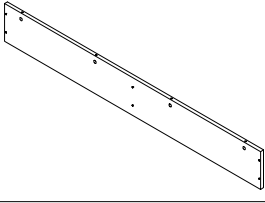
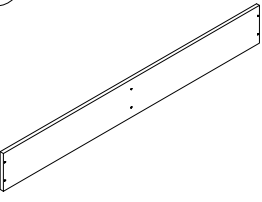
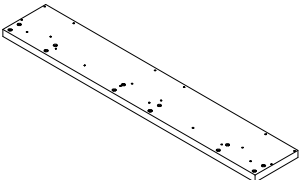
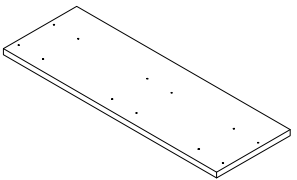
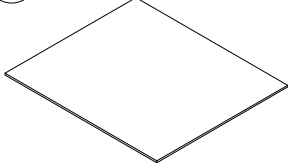


1. Use four pcs(K)rubber  
cover(20) to cover the hole of  
back cube panel.  
2. Use four pcs(L)rubber cover  
(10) to cover the hole of back panel.  
3. Use four pcs(M)rubber edge protector  
to stick four corners of the sofa.


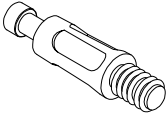
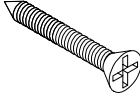


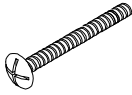




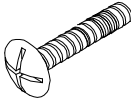
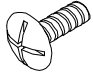


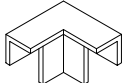
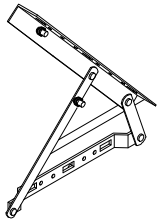
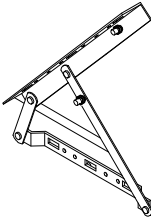
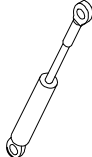
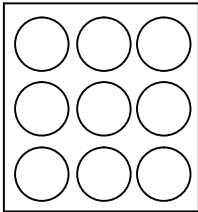
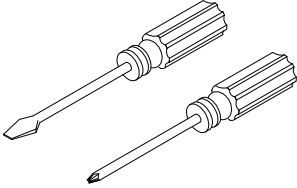


USER'S MANUAL  
S2112K (R)  
two seaters sofa

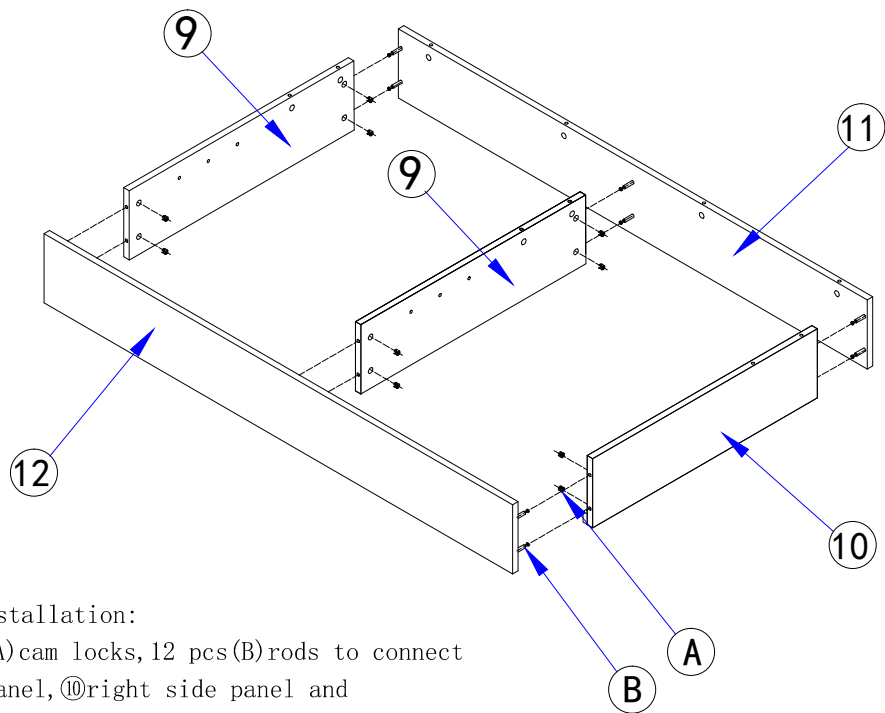
# PARTS LIST

<p>1</p> 	<p>2</p> 	<p>3</p> 	<p>4</p> 
(L) back cube panel=1	(R) back cube panel=1	middle back cube panel=1	left back baffle=1
<p>5</p> 	<p>6</p> 	<p>7</p> 	<p>8</p> 
right back baffle=1	back panel=1	744 long zipper=4	716 long zipper=4
<p>9</p> 	<p>10</p> 	<p>11</p> 	<p>12</p> 
left side panel=2	right side panel=1	back side panel=1	front side panel=1
<p>13</p> 	<p>14</p> 	<p>15</p> 	
back panel=1	front panel=1	bottom panel=2	

## HARDWARE LIST

<p>(A)</p> 	<p>(B)</p> 	<p>(C)</p> 	<p>(D)</p> 
cam lock (24 pcs)	rod (24 pcs)	4*25 self-tapping screw=30	rubber pad=16
<p>(E)</p> 	<p>(F)</p> 	<p>(G)</p> 	<p>(H)</p> 
8mm gasket=12	8*70 big flat screw=6	8*50 big flat screw=4	8mm hammer nut=10
<p>(I)</p> 	<p>(J)</p> 	<p>(K)</p> 	<p>(L)</p> 
8*30 big flat screw=2	6mm gasket=20	6*25 big flat screw=4	6*16 big flat screw=15
<p>(M)</p> 	<p>(N)</p> 	<p>(O)</p> 	<p>(P)</p> 
rubber cover (10) =6	rubber cover (20) =6	rubber edge protector=4	left pneumatic rod=2
<p>(Q)</p> 	<p>(R)</p> 		 <p>phillips head screw driver required for assemble—not include</p>
right pneumatic rod=1	pneumatic rod=3	hole sticker=30	

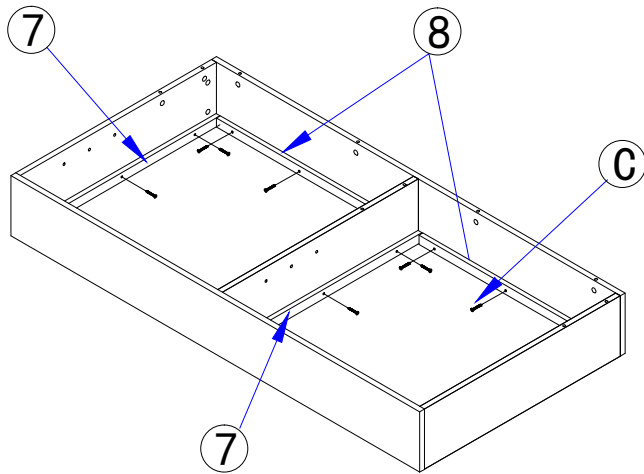
## Step 1



Base frame installation:

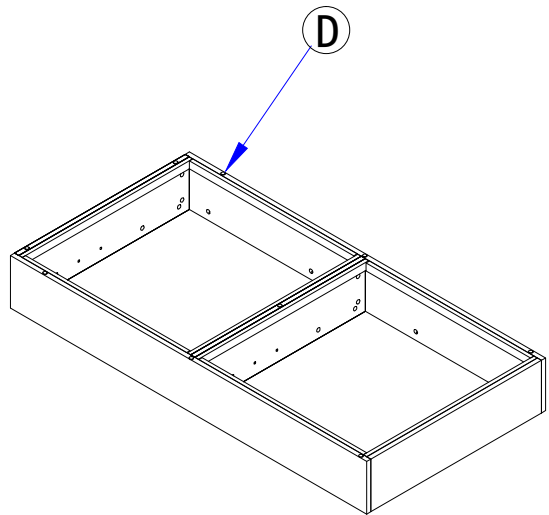
1. Use 12 pcs(A) cam locks, 12 pcs(B) rods to connect ⑨left side panel, ⑩right side panel and ⑪back side panel, ⑫front side panel.

## Step 2



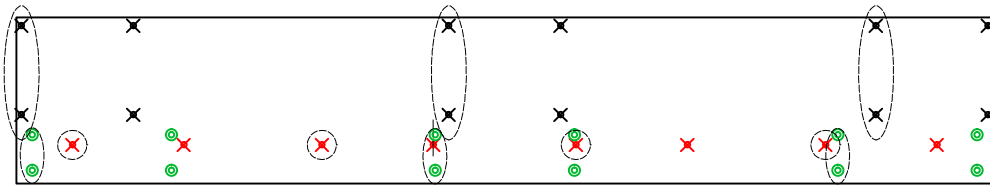
Zipper installation:

1. Use 24pcs(C) 4\*25 self-tapping screws to install ⑦744 long zipper and ⑧716 long zipper.

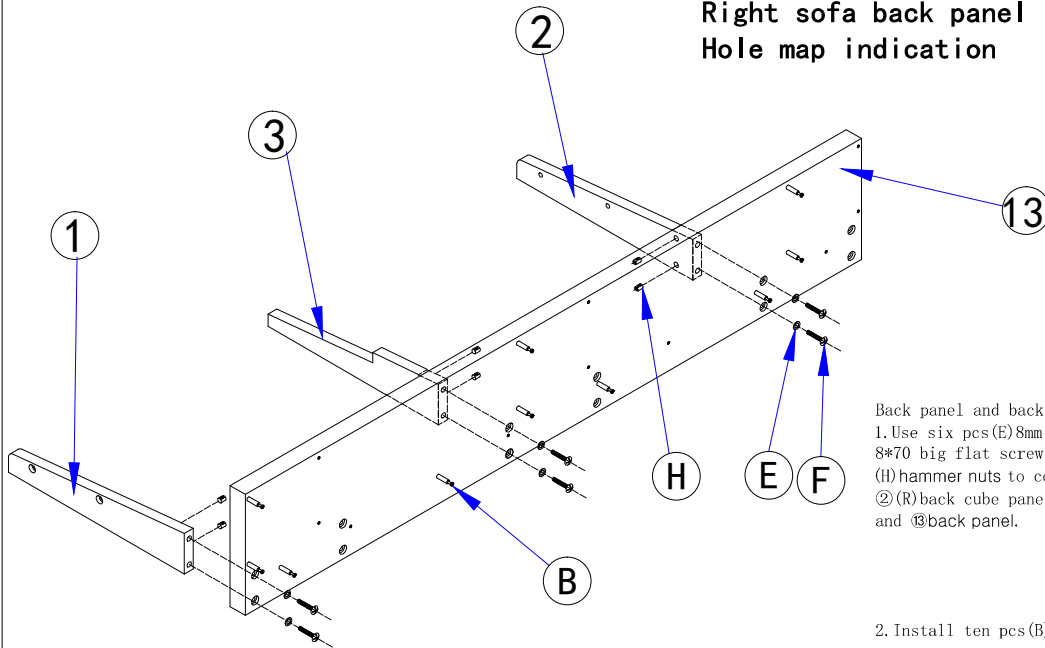


2. Flip the base frame, stick 16 pcs(D) rubber pads on the edge.

### Step 3



### Right sofa back panel installation Hole map indication



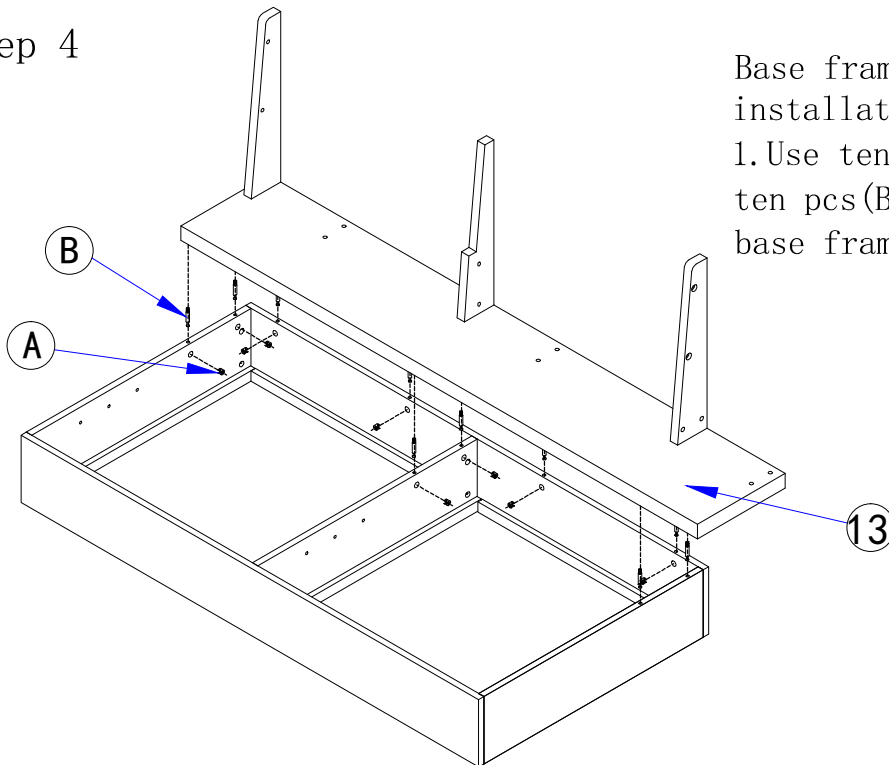
Back panel and back cube panel installation:  
 1. Use six pcs (E) 8mm gaskets, six pcs (F) 8\*70 big flat screws, six pcs (H) hammer nuts to connect ①(L) back cube panel, ②(R) back cube panel, ③ middle back cube panel and ⑬ back panel.

2. Install ten pcs (B) rods as picture shown.

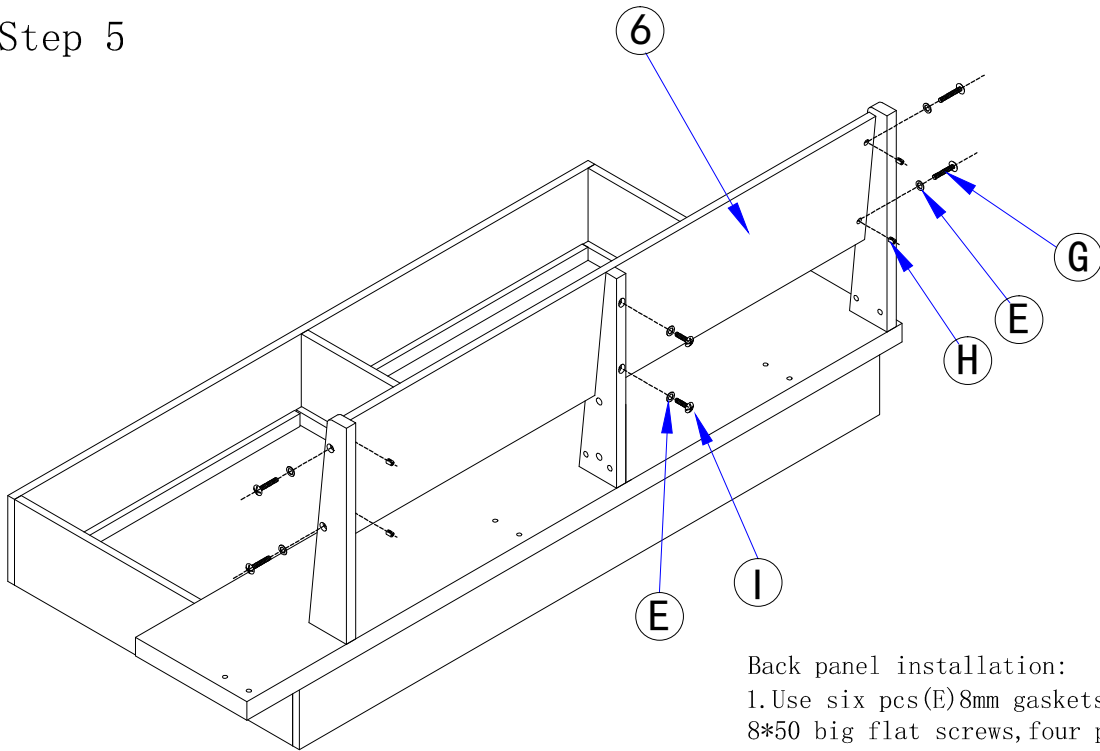
### Step 4

### Base frame and back panel installation:

1. Use ten pcs (A) cam locks, ten pcs (B) rods to connect base frame and ⑬ back panel.



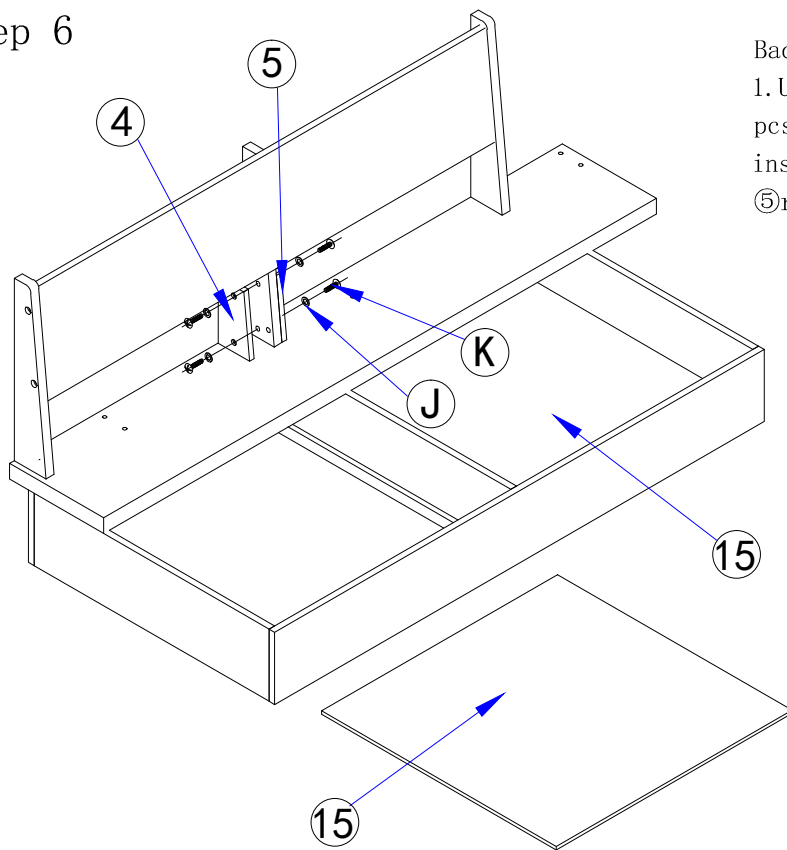
## Step 5



### Back panel installation:

1. Use six pcs (E) 8mm gaskets, four pcs (G) 8\*50 big flat screws, four pcs (H) 8mm hammer nuts and two pcs (I) 8\*30 big flat screws to install back panel.

## Step 6

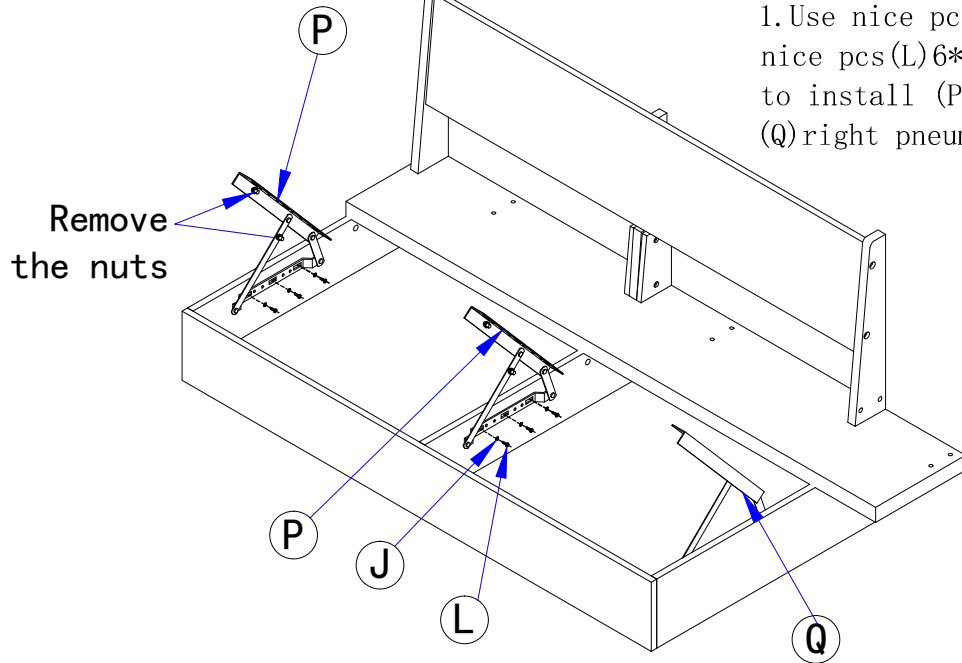


### Back baffle installation:

1. Use four pcs (J) 6mm gaskets, four pcs (K) 6\*25 big flat screws to install ④ left back baffle and ⑤ right back baffle.

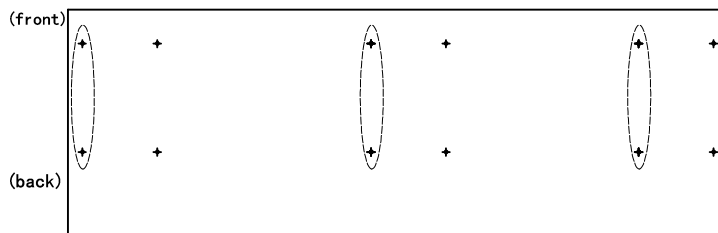
2. Put in ⑮ bottom panel.

## Step 7

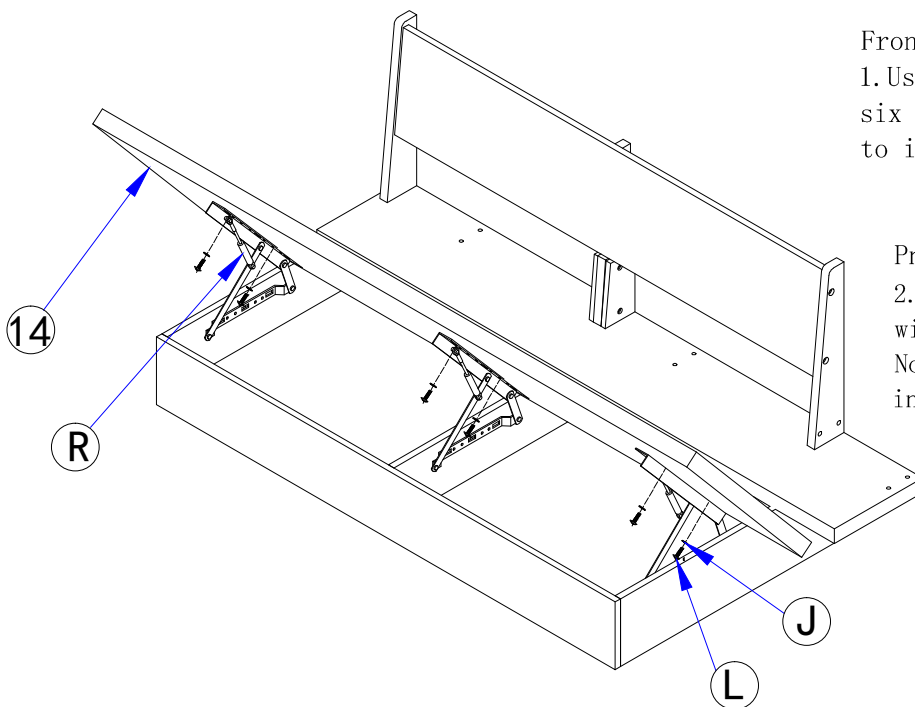


Pneumatic rod installation:  
 1. Use nice pcs(J)6mm gaskets,  
 nice pcs(L)6\*16 big flat screws  
 to install (P)left pneumatic rod,  
 (Q)right pneumatic rod.

## Step 8



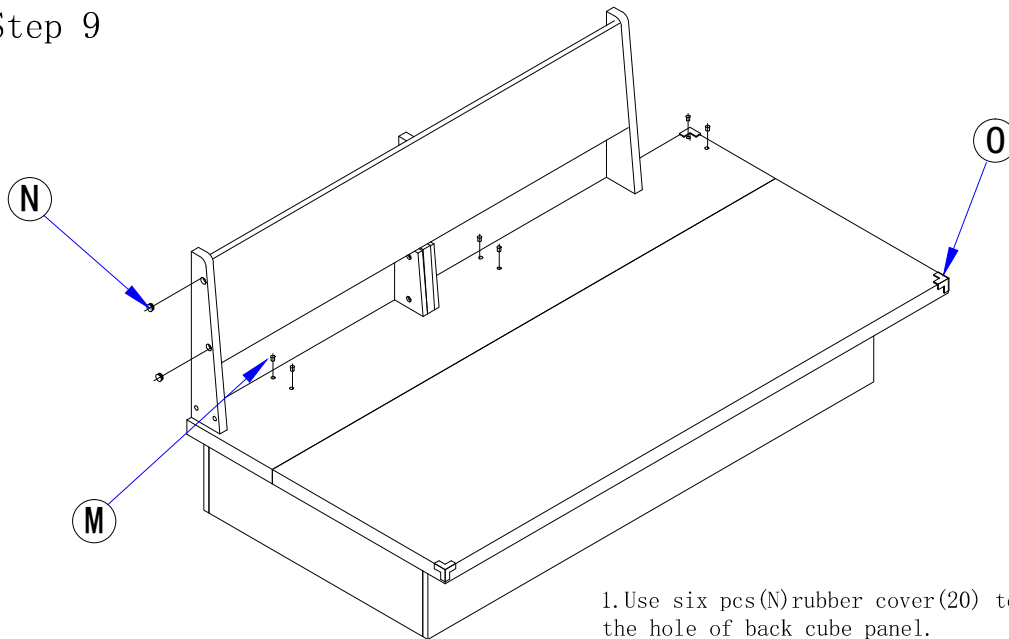
**Right sofa front panel  
 installation  
 Hole map indication  
 Pay attention to the front  
 and back when installing**



Front panel installation:  
 1. Use six pcs(J)6mm gaskets,  
 six pcs(L)6\*16 big flat screws  
 to install ⑭front panel.

Pneumatic rod installation:  
 2. Install(R)pneumatic rod  
 with the removed nut.  
 Note: The nut is divided  
 into front and back.

### Step 9



1. Use six pcs(N) rubber cover(20) to cover the hole of back cube panel.
2. Use six pcs(M) rubber cover(10) to cover the hole of back panel.
3. Use four pcs(O) rubber edge protectors to stick four corners of sofa.

### Step 10

