

## Specifications:

<b>Installation:</b>	deck mount 3-hole, two levers	
<b>Exterior Dimensions:</b>	H: 8 1/4" SPOUT: 5 1/4"	
<b>Material:</b>	solid brass construction	
<b>Water use:</b>	1.2 GPM	
<b>Pop-up:</b>	no	
<b>Finishes:</b>	PS- polished brass	51- brushed brass
	PB- polished bronze	BB- brushed bronze
	CR- polished chrome	NI- brushed nickel
	PN- polished nickel	BG- brushed gold
	BK- black chrome	GM- gun metal
	TN- titanium	44- matte black
<b>Cutout Size:</b>	Ø 1 3/8"	
<b>Accessories included:</b>	24" flexible hot/cold water supply lines, and click-clack drain	

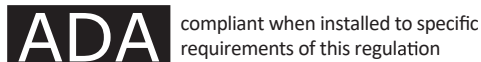


## Features:

- Deck-mount three hole faucet with goose-neck swiveling spout and two lever handles
- Brass construction with hot and cold ceramic disc cartridges
- Complements the Cigno Collection
- Includes flexible supply lines and click-click drain assembly

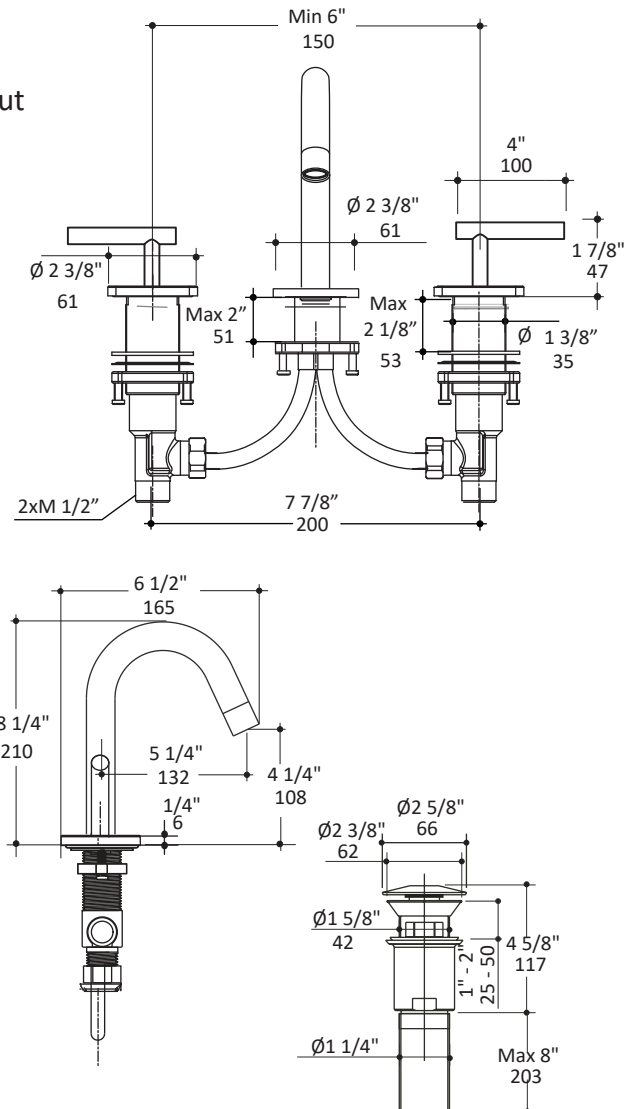
## Codes + Standards:

- Meets and exceeds applicable national codes and standards
  - ASME A112.18.1/CSA B125.1
  - NSF/ANSI/CAN61
  - NSF/ANSI/CAN372
  - CalGreen/CEC
- Compliant with California AB-100



## Recommended Items:

- Replacement parts:
  - 1582-AERATOR - Replacement aerator cartridge
  - R027-28 - Replacement ceramic disc cartridge pair
- European drain with overflow
  - 7100-16OF Click-clack drain
  - 7100-13OF Stationary drain



LACAVA reserves the right to revise any dimension or information on this sheet without notice. Dimensions are nominal and may vary within an industry accepted tolerance of 1/4". Drawings provided herein are meant to give the user an idea of the product and are not made to scale. Location of plumbing is meant for reference, your specific application may vary.