

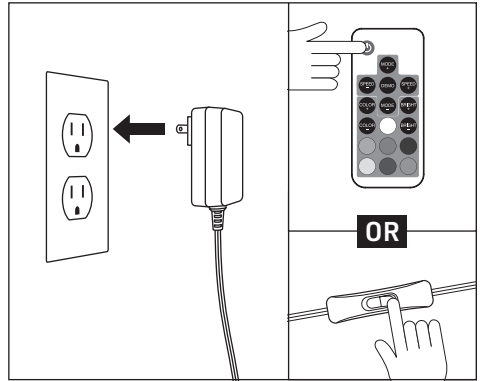
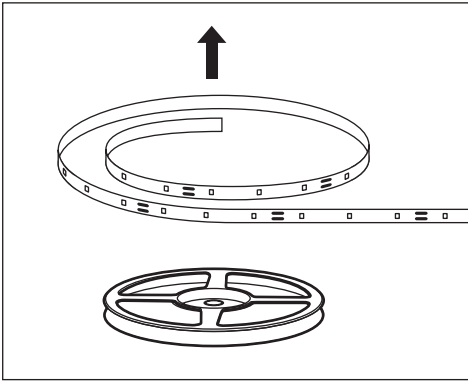
**birch** lighting

# LED Strip Light Kits

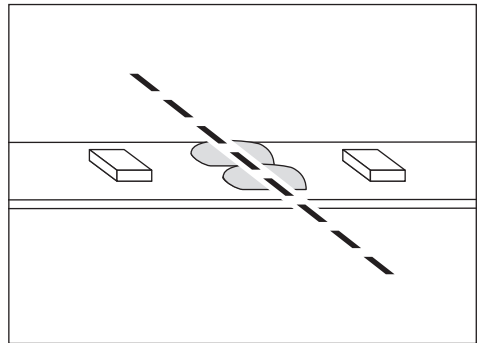
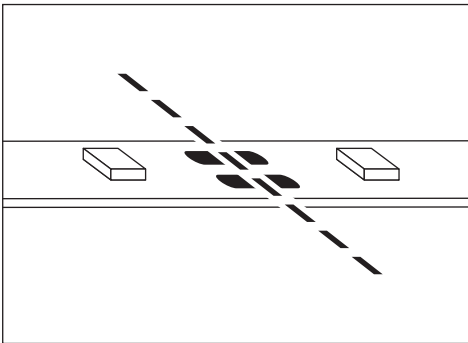
## Safety Information

- Do not stare directly at LEDs
- Do not power while LED tape is still on the reel
- Keep low-voltage wiring separate from high-voltage wiring runs
- For indoor/dry location use only

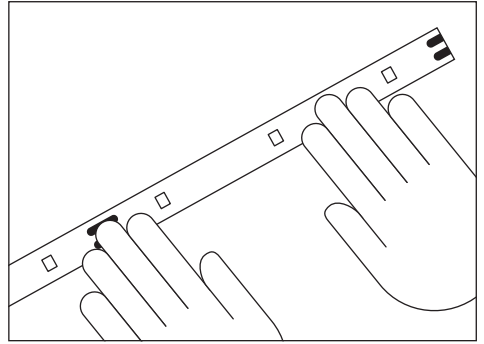
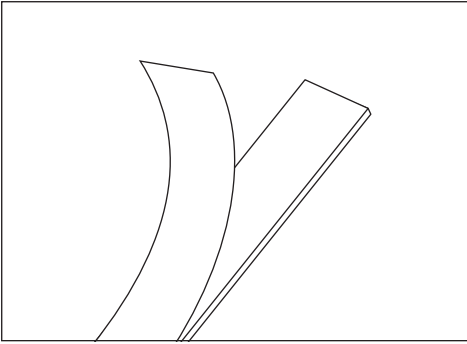
## Installation



Unwind tape from reel and test prior to installation



Tape may be cut to size at the copper pads or solder joints

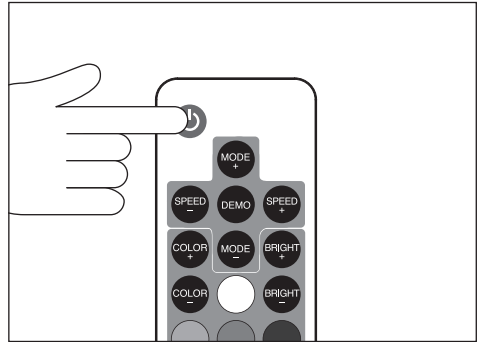
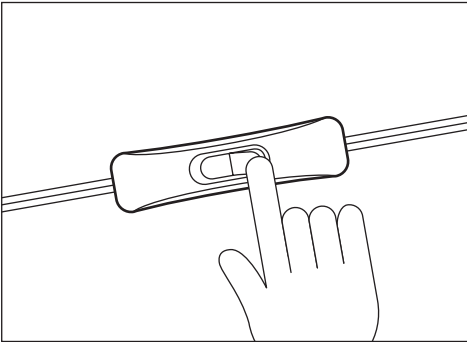


Remove protective backing from adhesive and press tape into place

## Tips

- Make sure surface is clean and dry before installing
- Do not bend the LED tape
- Use painters tape to temporarily install to test

## Operation



Control of the kit will be either via in-line on/off switch or included remote

## Troubleshooting

### LED strip will not light

- Make sure the outlet has power and that a switched outlet switch is on

### Remote unresponsive

- Move closer to the the receiver
- Check the battery and replace if needed

**One-year limited warranty.** This product is for dry location use only. Improper installation, improper powering, abuse, or failure to use this device for its intended purpose will void warranty. Proof of purchase is required for all returns.

This device complies with part 15 of the FCC Rules. Operation is subject to the following two conditions: (1) This device may not cause harmful interference, and (2) this device must accept any interference received, including interference that may cause undesired operation.

For support, visit [birchlighting.com](http://birchlighting.com).

© 2022 Birch Lighting, Baltimore, MD 21225