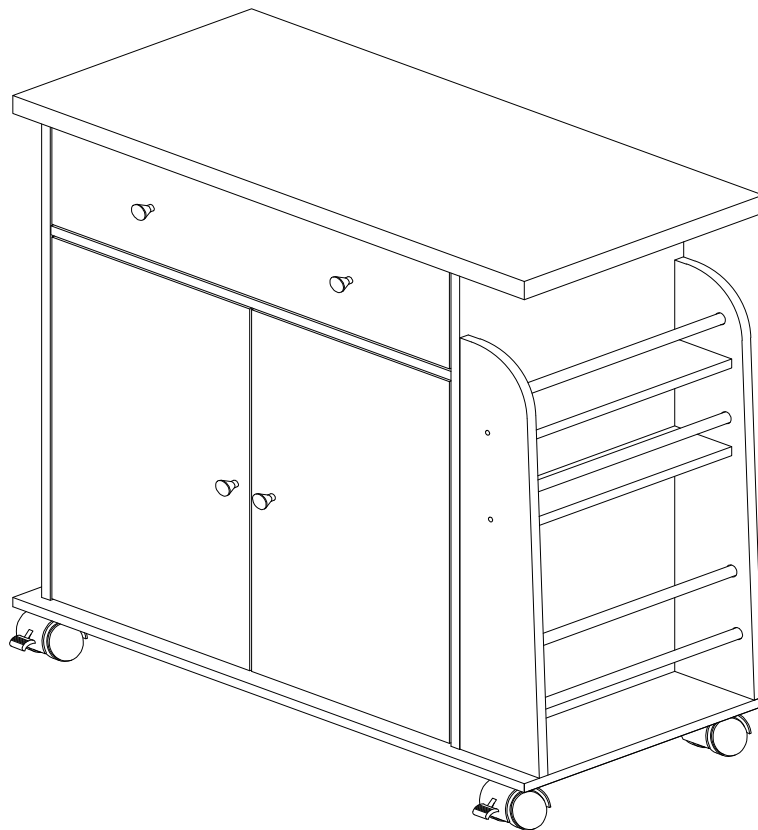




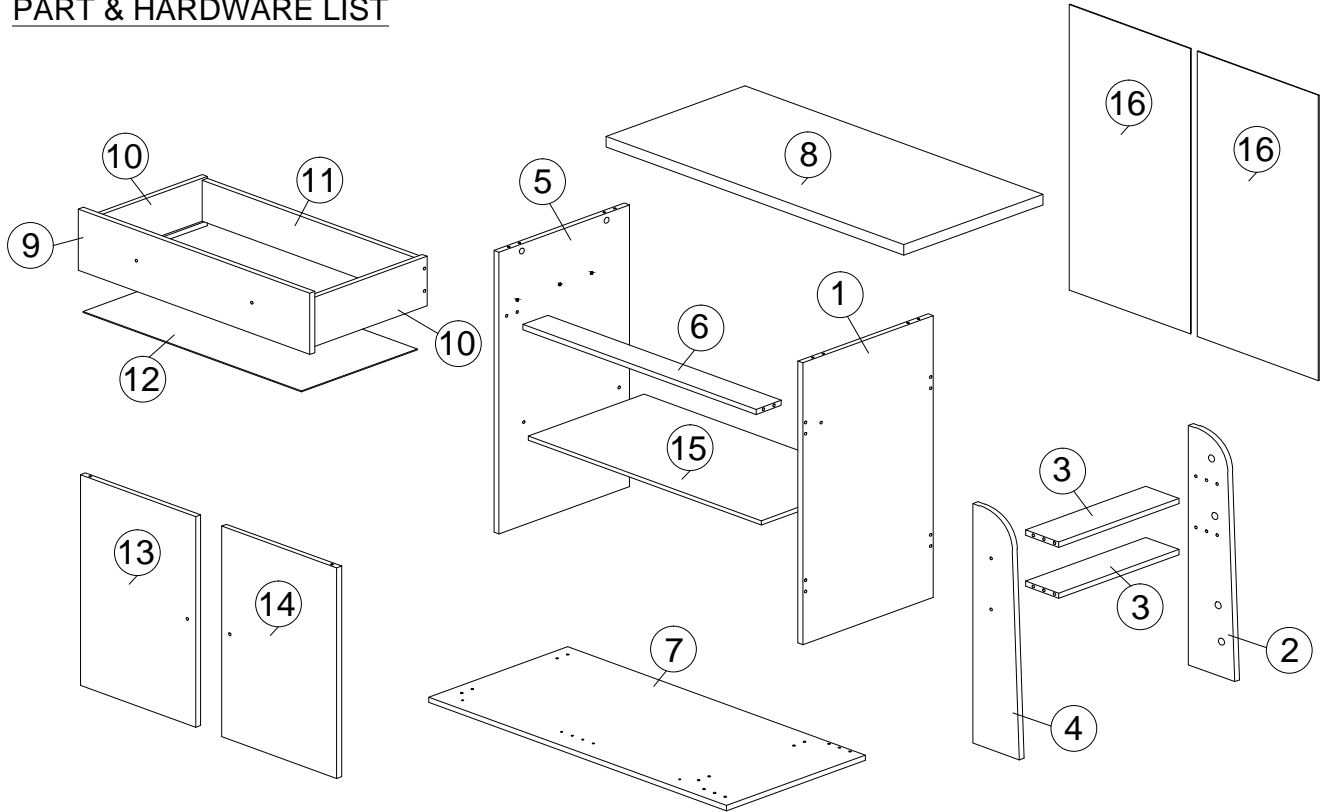
**Hodedah**  
[www.hodedah.com](http://www.hodedah.com)  
[support@hodedah.com](mailto:support@hodedah.com)



**HIK 65-MOP**  
**L35<sup>4</sup>/<sub>8</sub>" X D16<sup>4</sup>/<sub>8</sub>" X H35"**



## PART & HARDWARE LIST



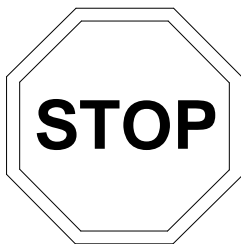
A		PLASTIC DOWEL M8 X 25MM	26
B		CB SCREW M3 X 12MM	2
C		CB SCREW M3.5 X 12MM	12
D		CB SCREW M3.5 X 16MM	16
E		CB SCREW M4 X 25MM	2
F		CB SCREW M4 X 35MM	8
G		CSK CAP M6 X 40MM	16
H		PVC SHELF SUPPORT	4
I		DOOR SUPPORT SPRING	4
J1		902 MAGNET PLATE	2
J2		902 MAGNET	2
K		MINIFIX 5654	4
L		CAP	14

M1		HANDLE SV 48 (SILVER)	4
M2		P/H SCREW M4 X 24MM	2
M3		P/H SCREW M4 X 40MM	2
N		POWER NAIL 6/8	40
O		DRAWER SLIDE 14"	2+2
P1		PLATE CASTER WITHOUT LOCK	2
P2		PLATE CASTER WITH LOCK	2
Q		ALLEN KEY	1
R		ALUMINIUM PIPE (384MM)	4



**Hodedah**  
[www.hodedah.com](http://www.hodedah.com)  
[support @hodedah.com](mailto:support@hodedah.com)

- This product contains small components, please ensure that they are kept away from small children.
- THIS INSTRUCTION BOOKLET CONTAINS **IMPORTANT** SAFETY INFORMATION. PLEASE READ AND KEEP FOR FUTURE REFERENCE.



DO NOT RETURN PRODUCT TO THE STORE.

If a part is missing or damaged, email our customer service. We will gladly ship your replacement parts **FREE** of charge.

Need Parts or Assistance?

email us at

**[support@hodedah.com](mailto:support@hodedah.com)**

For prompt, reliable service; please have your assembly manual ready.



**Hodedah**  
[www.hodedah.com](http://www.hodedah.com)  
[support @hodedah.com](mailto:support@hodedah.com)

Thank you for purchasing from Hodedah

**To learn more about hodedah and our products visit  
[www.hodedah.com](http://www.hodedah.com)**

**READ BEFORE BEGINNING ASSEMBLY**

- Read each step carefully. It is very important that each step of instruction is performed in the correct order. If these steps are not followed in sequence, assembly difficulties will occur.
- Make sure all parts are included. Most parts are labeled or stamped on the raw edge.
- Work in spacious area, preferably on a carpet, near the place the unit will be used.
- Do not use power tools to assemble your furniture. Power tools may strip or damage the parts.

**HELPFUL HINTS**

- Call us if you need assistance.
- Move your new furniture carefully, with two people lift and carry the unit to it's new location.
- Never push, drag or pull your furniture (especially on carpet).

**Warranty Information**

Hodedah warrants this product to be free from defects in material and workmanship agrees to remedy any such defect. This warranty covers one year from the date of original purchase. This is solely limited to be repair or replacement of defective parts and no assembly labor is included.

This warranty does not apply to any product which has been improperly assembled, subjected to misuse or abuse or which has been altered or repaired in any way.

To obtain warranty, purchaser must present original bill of sale. Components repaired or replaced warranted through the remainder of the original warranty period only. The defective components will be repaired or replaced without charge, subject to the terms and conditions described above.



**For help with assembly, identifying parts, product information or to  
order parts, please contact us :**

Call us at :  
718-456-0505  
Monday - Friday  
9:00am - 5:00pm

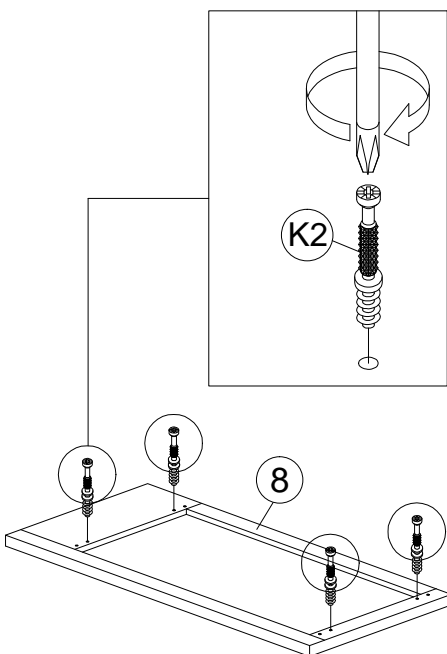
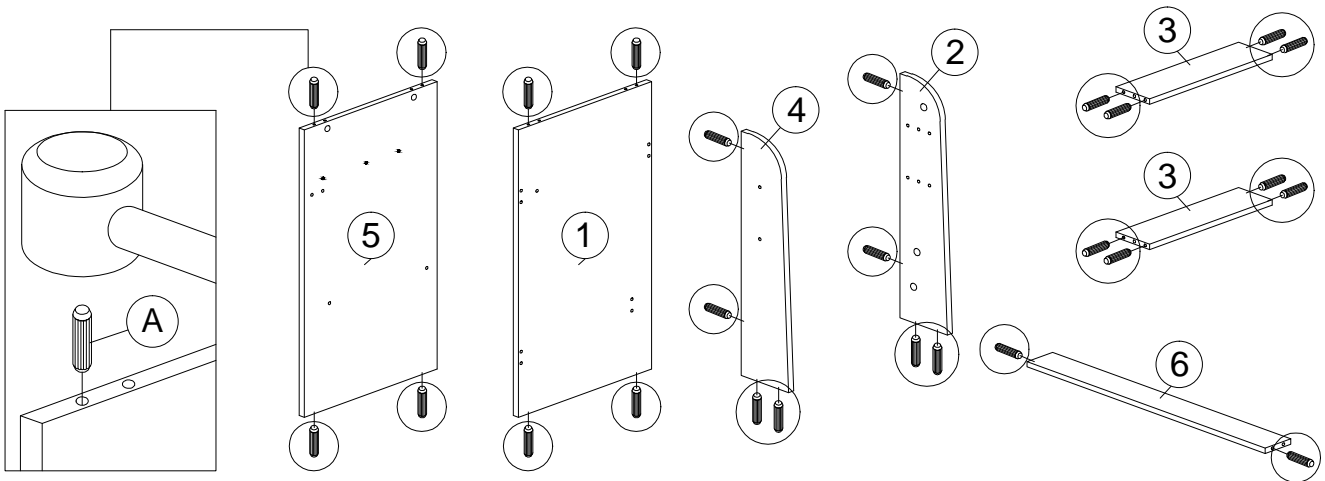
Visit our website :  
[www.hodedah.com](http://www.hodedah.com)



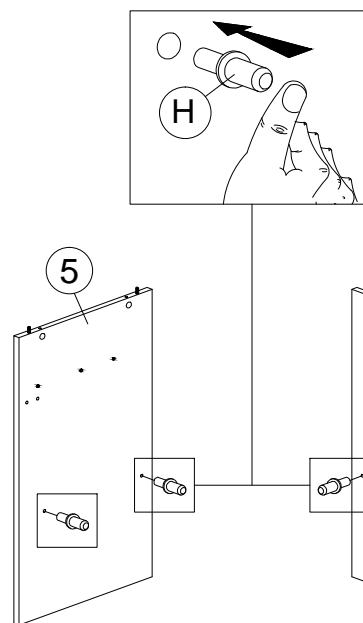
## STEP 1

A		PLASTIC DOWEL M8 X 25MM	26
H		PVC SHELF SUPPORT	4

K2		MINIFIX 5654	4
----	--	--------------	---



BOTTOM VIEW



LEFT VIEW

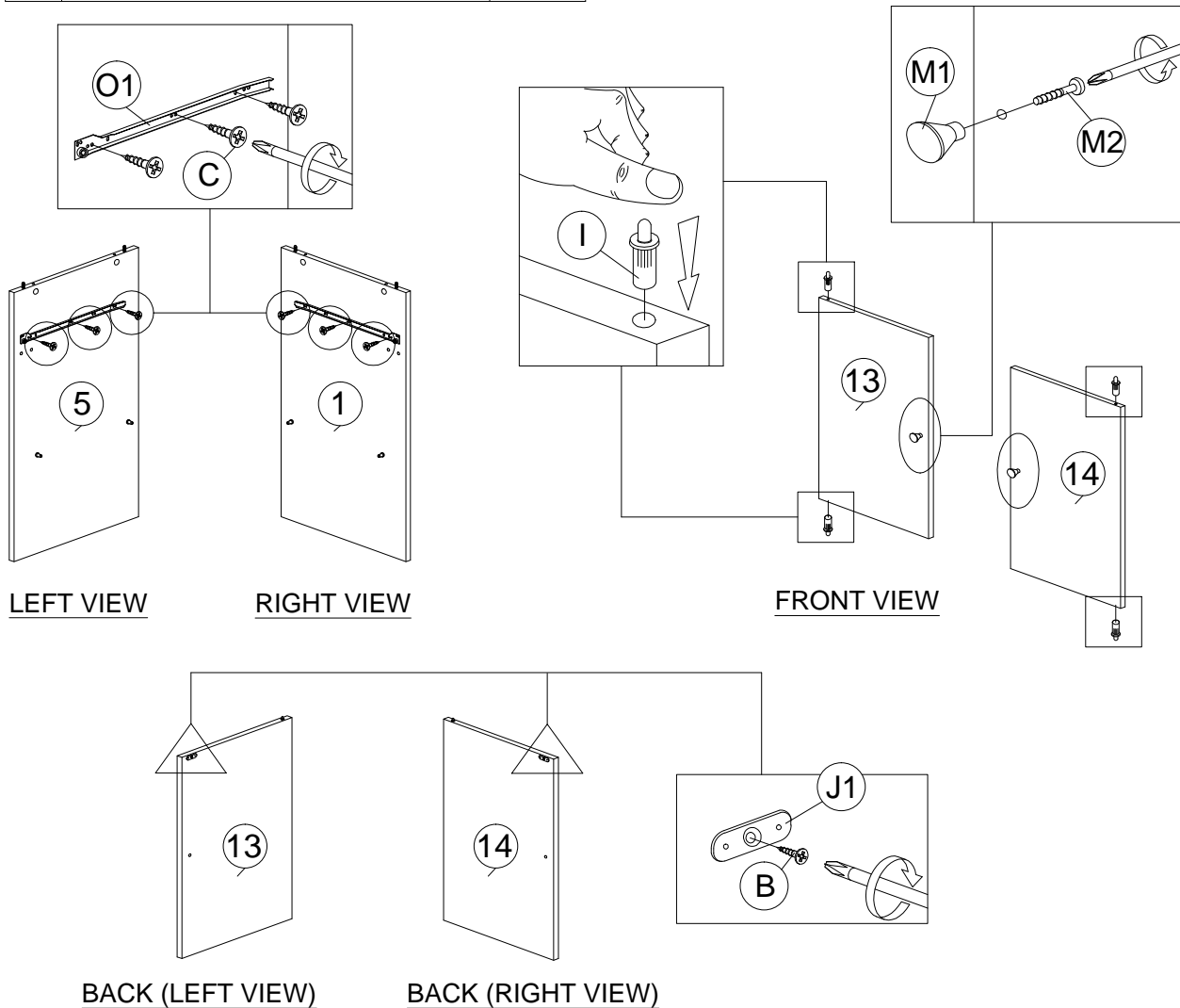
RIGHT VIEW

- Insert 26 x Plastic dowel (A) into Panels (1), (2) (3), (4), (5) & (6) using a plastic hammer.
- Insert 4 x Minifix 5654 (K2) into the bottom of Panel (8) using a Philips head screwdriver.
- Insert 4 x Pvc shelf support (H) into panels (1) & (5) by push with thumb.

## STEP 2

B		CB SCREW M3 X 12MM	2
C		CB SCREW M3.5 X 12MM	6
I		DOOR SUPPORT SPRING	4
J1		902 MAGNET PLATE	2

M1		HANDLE SV 48 (SILVER)	2
M2		P/H SCREW M4 X 24MM	2
O1		DRAWER SLIDE 14"	2



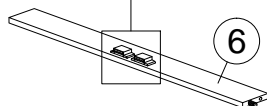
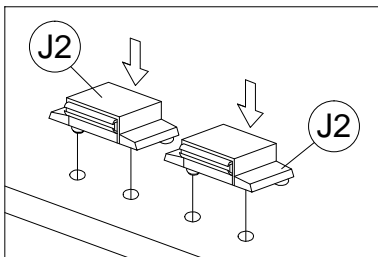
- Assemble 2 x Drawer slide (O1) to Panel (1) & (5) with 6 x CB Screw M3.5 x 12m (C) using Philips head screwdriver.
- Insert 4 x Door support spring (I) into Panel (13) & (14) by push with thumb.
- Attach 2 x Handle SV 48 (M1) to Panel (13) & (14) front with 2 x P/H Screw M4 x 24mm (M2) using a Philips head screwdriver.
- Fix 2 x Magnet plate (J1) to Panel (13) & (14) back with 2 x CB Screw M3 x 12mm (B) using a Philips head screwdriver.



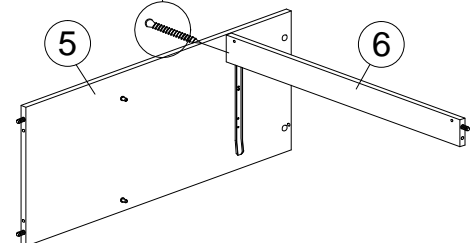
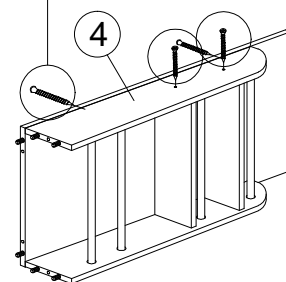
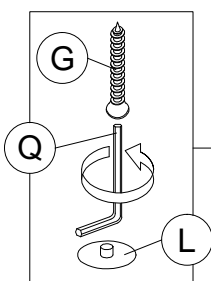
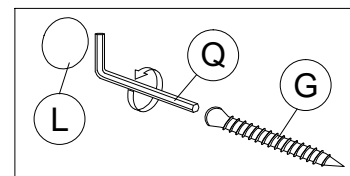
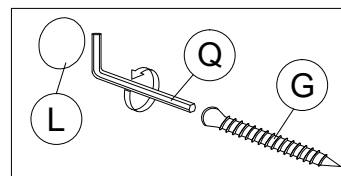
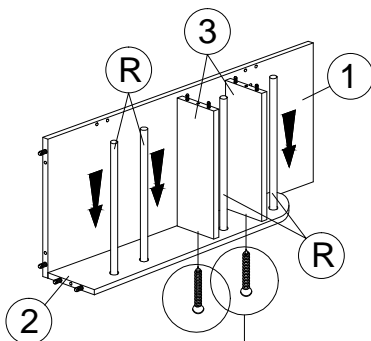
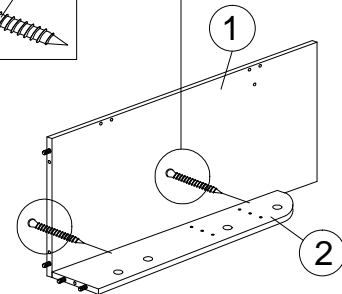
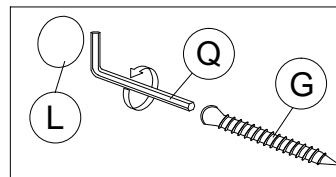
## STEP 3

G		CSK CAP M6 X 40MM	9
J2		902 MAGNET	2
L		CAP	9

Q		ALLEN KEY	1
R		ALUMINIUM PIPE (384MM)	4



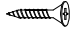
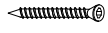

BOTTOM VIEW






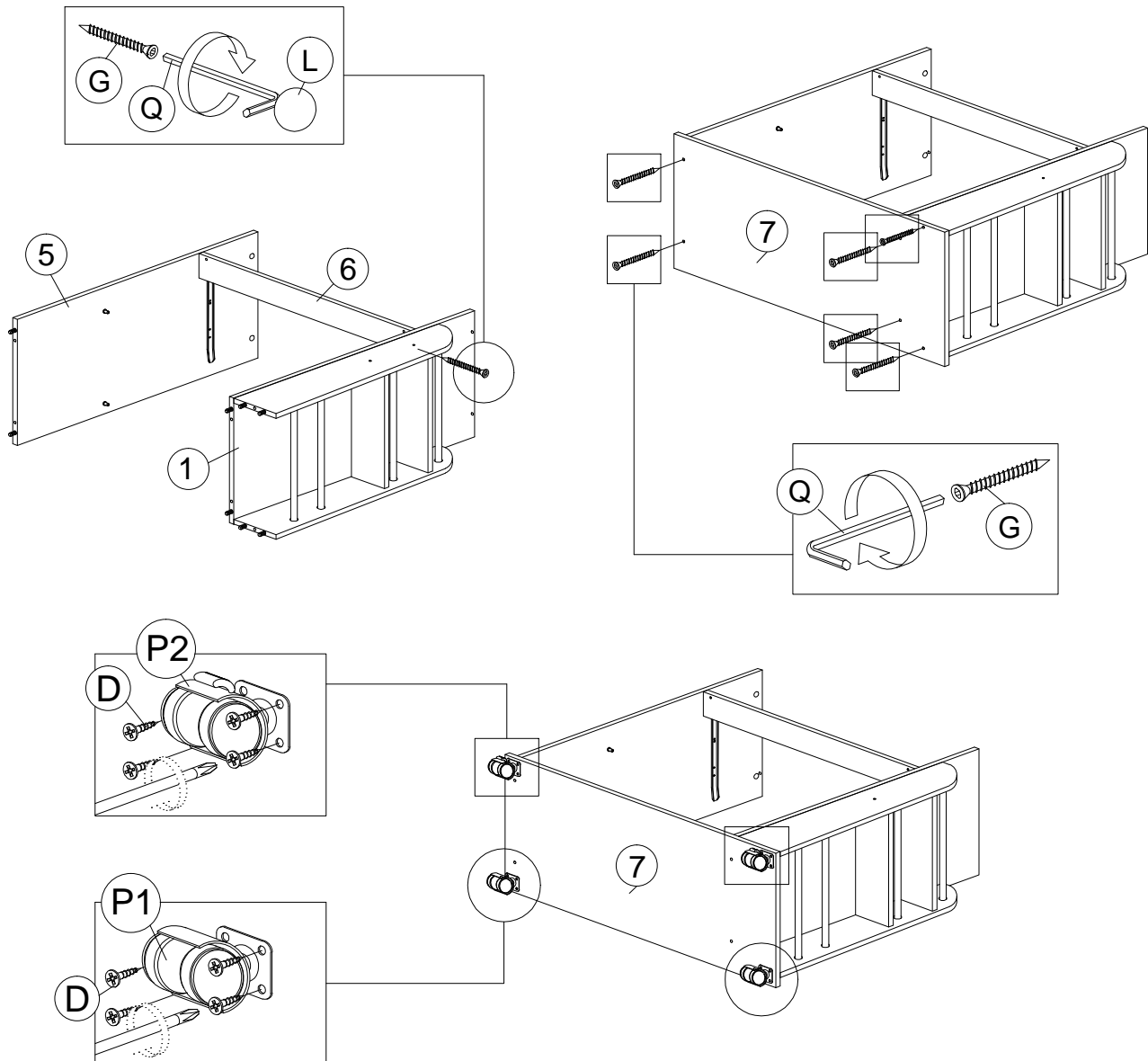
- Insert 2 x Magnet (J2) to Panel (6) base by using a plastic hammer (Knock gently).
- Attach Panel (2) into Panel (1). Insert 2 x Csk Cap M6 x 40 (G), tighten with Allen key (Q) & insert Cap (L).
- Attach Panel (3) into Panel (2). Insert 2 x Csk Cap M6 x 40 (G), tighten with Allen key (Q) & insert Cap (L).
- Slot 4 x Alluminium pipe (R) into Panel (2).
- Attach Panel (4) and insert 4 x Csk Cap M6 x 40mm (G), tighten with Allen key (Q) & insert Cap (L).
- Attach Panel (6) to Panel (5) & insert 1 x Csk Cap M6 x 40mm (G), tighten with Allen key (Q) & insert Cap (L).



## STEP 4

D		CB SCREW M3.5 X 16MM	16
G		CSK CAP M6 X 40MM	7
L		CAP	1

Q		ALLEN KEY	1
P1		PLATE CASTER WITHOUT LOCK	2
P2		PLATE CASTER WITH LOCK	2



- Attach Panel (6) to Panel (1). Insert 1 x CSK Cap M6 x 40mm (G) & Cap (L) by using Allen key (Q).
- Attach Panel (7) to Panel (5) & (1) with 6 x CSK Cap M6 x 40mm (G), tighten with Allen key (Q) & insert Cap (L).
- Fix 2 x Plate caster without lock (P1) & Plate caster with lock (P2) into Panel (7) base.  
Use 16 x Csk M3.5 x 16mm (D) & tighten using Phillips Head screwdriver.



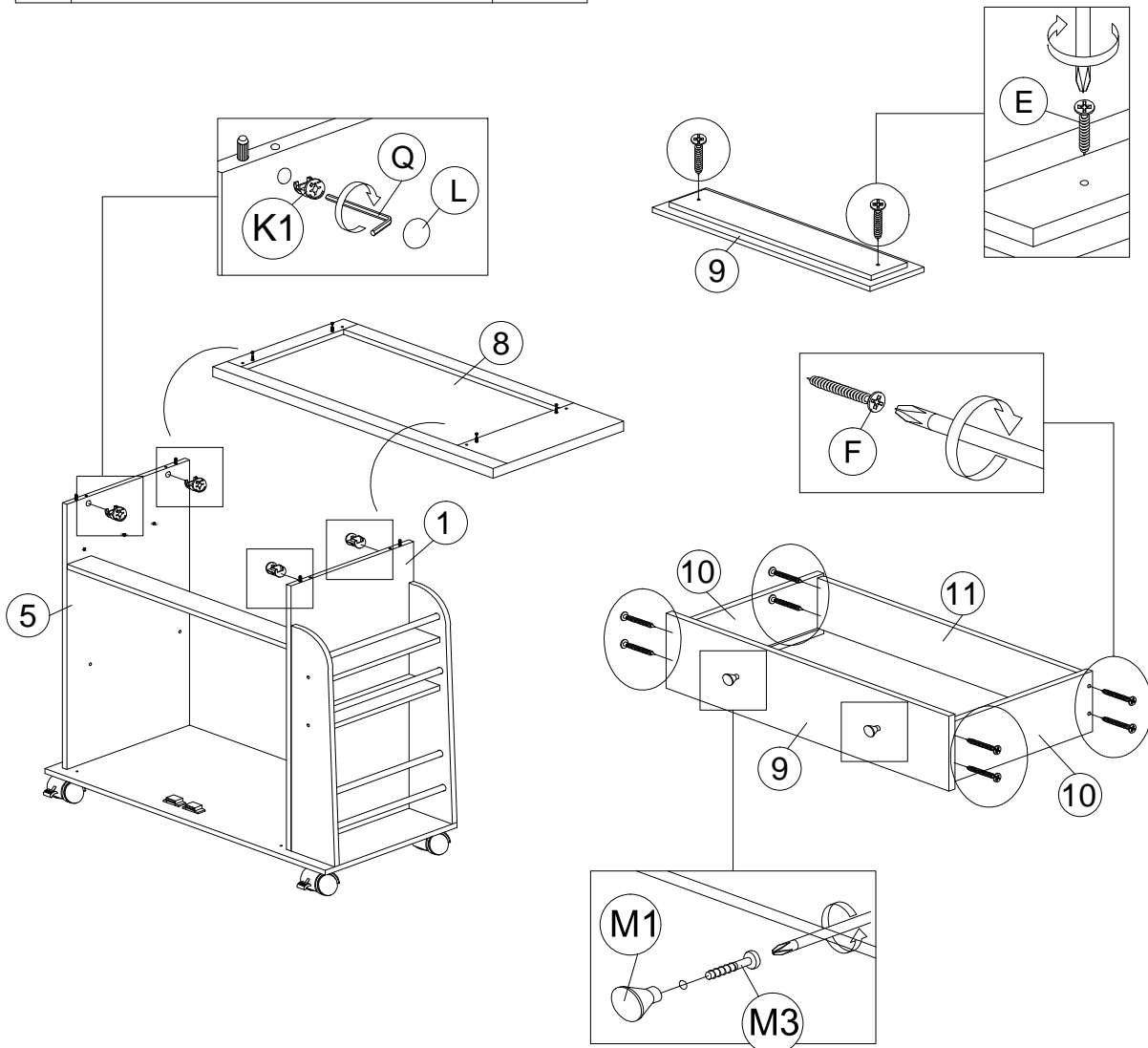
# Hodedah

[www.hodedah.com](http://www.hodedah.com)  
[support @hodedah.com](mailto:support@hodedah.com)

## STEP 5

E		CB Screw M4 X 25MM	2
F		CB Screw M4 X 35MM	8
K1		MINIFIX 5654	4
L		CAP	4



M1		HANDLE SV 48 (SILVER)	2
M3		P/H SCREW M4X40	2
Q		ALLEN KEY	1



- Attach panel (8) to panels (1) & (5), insert 4 x Minifix (K1), tighten with Allen key (Q) & insert Cap (L).
- Insert 2 x CB Screw M4 x 25mm (E) to Panel (9) back using a Phillips head screwdriver.
- Attach 2 x Panel (10) to Panel (9). Then attach Panel (11) to Panel (10) using CB screw M4 x 35mm (F) using Phillips head screwdriver.
- Fix 2 x Handle (M1) to Panel (9) front. Insert 2 x P/H Screw M4 x 40mm (M3) & tighten with Phillips head screwdriver.



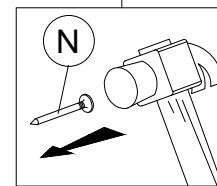
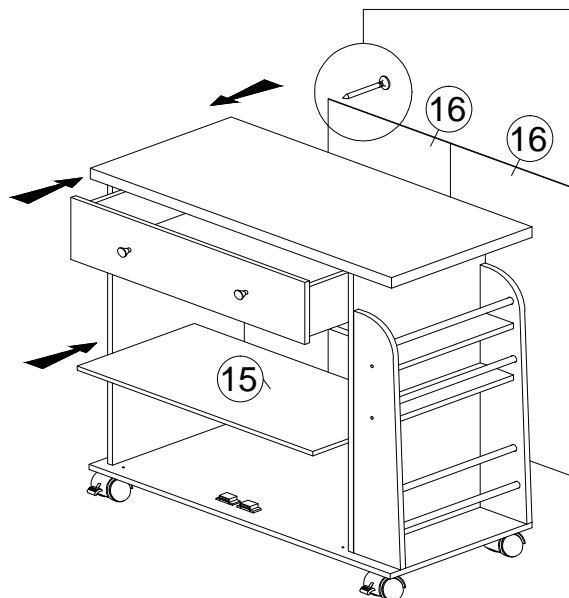
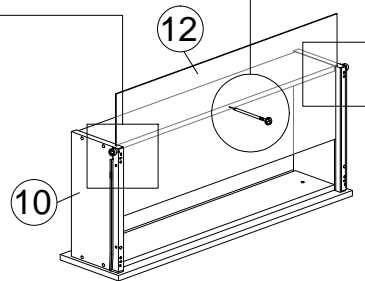
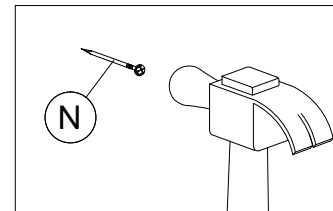
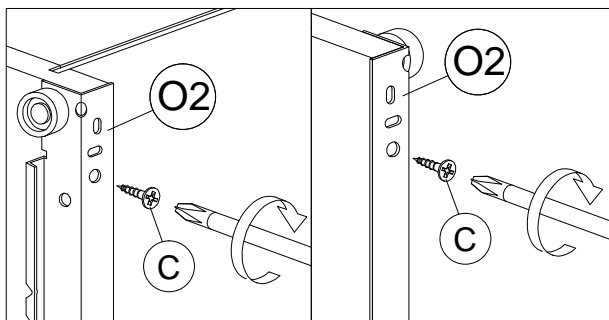
## STEP 6

C		CB SCREW M3.5 X 12MM	6
N		POWER NAIL 5/8"	40

O2		DRAWER SLIDE 14"	2
----	--	------------------	---

RIGHT

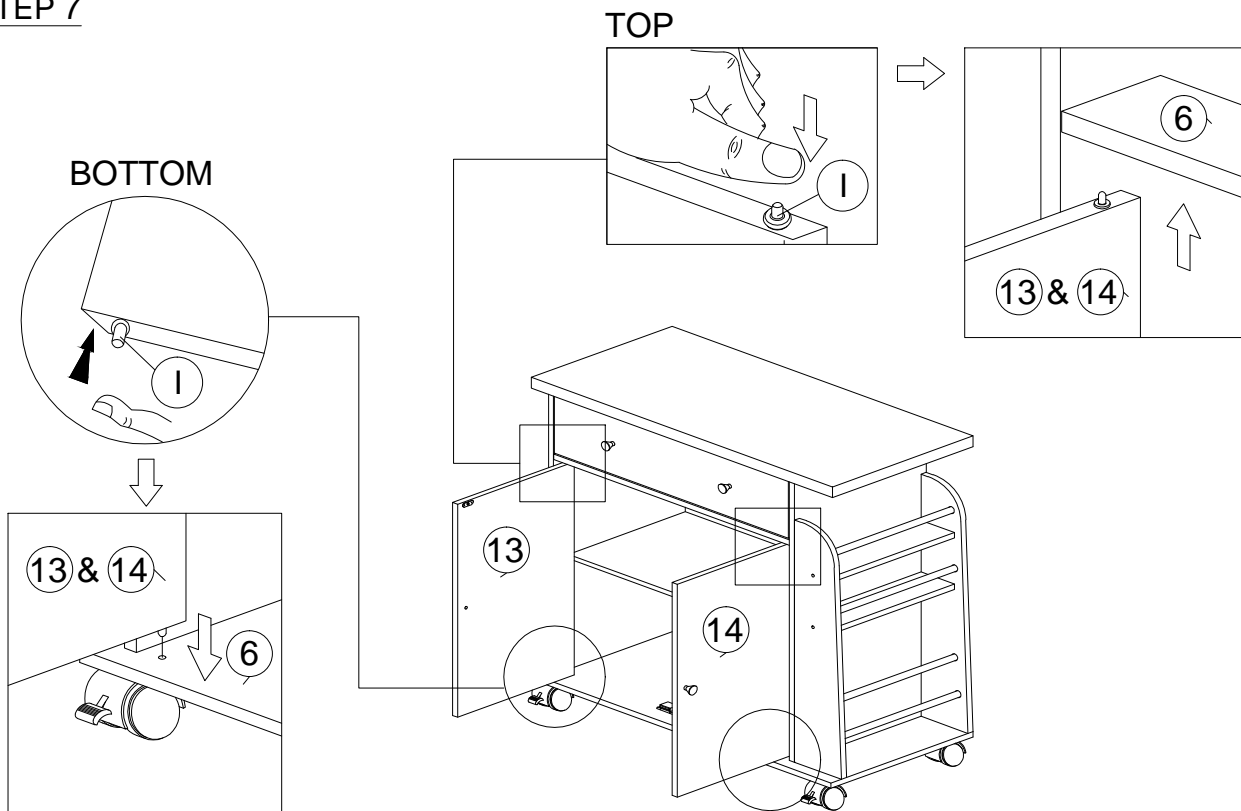
LEFT



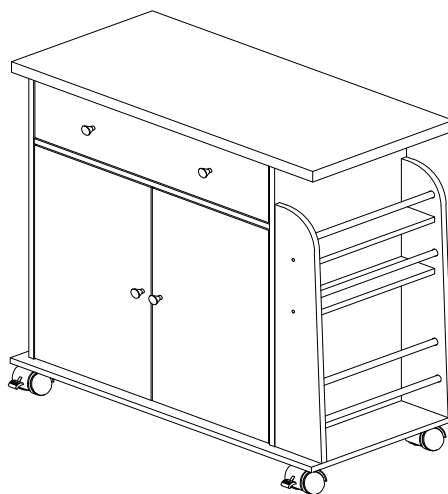
- Fix 2 x Drawer slide 14" (O2) into both Panel (10) using CB Screw M3.5 x 12mm (C) & tighten with Philip head screwdriver.
- Slot 1 x Panel (12) into Panel (10) groove & use 15 x Power nail (N) for fix it. Knock by using a hammer.
- Place the 2 x Panel (16) at the back of finish good. Use 25 x Power nail (N) for fix it. Knock with a hammer
- Slide the drawer box into the drawer slide at the Panel (1) & (5).
- Slide 1 x Panel (15) between Panel (1) & Panel (5).



## STEP 7



- Press & insert the Door support spring (I) at the panel (13) & (14) top into the hole at bottom of Panel (6).
- Press the Door support spring (I) at the panel (13) & (14) base & insert into the hole at panel (7).



**Job Complete !**

In the interest of our environment please dispose of all packaging thoughtfully.