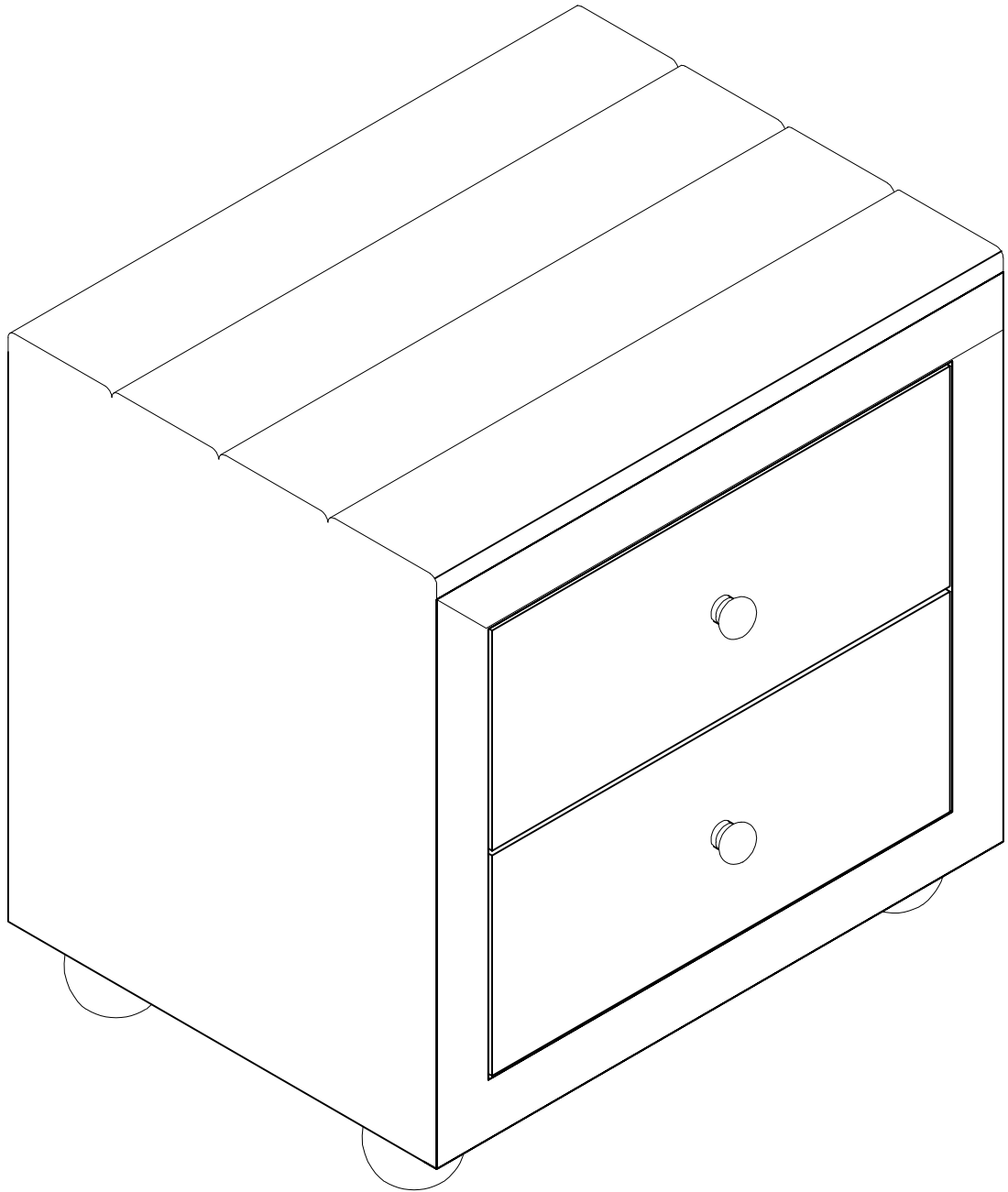
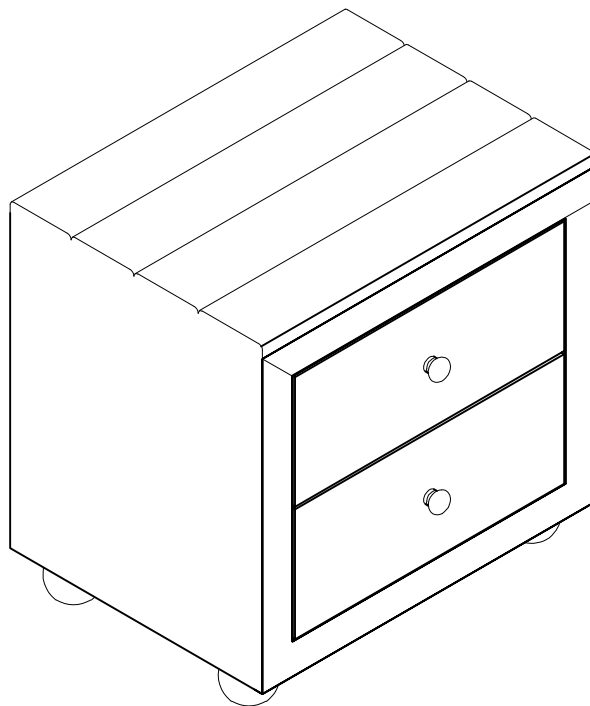


# ASSEMBLY INSTRUCTION



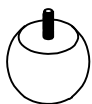
## Part List



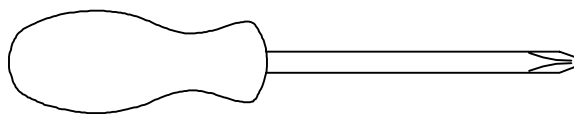
(A) Cabinet - 2 Drawer: 1pc

## Hardware List

1

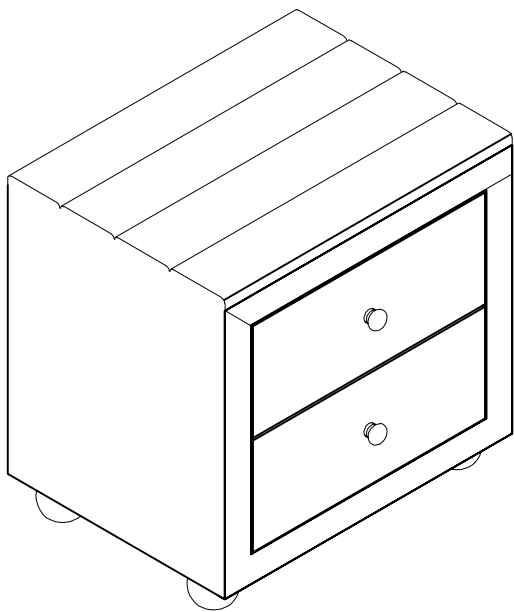
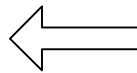
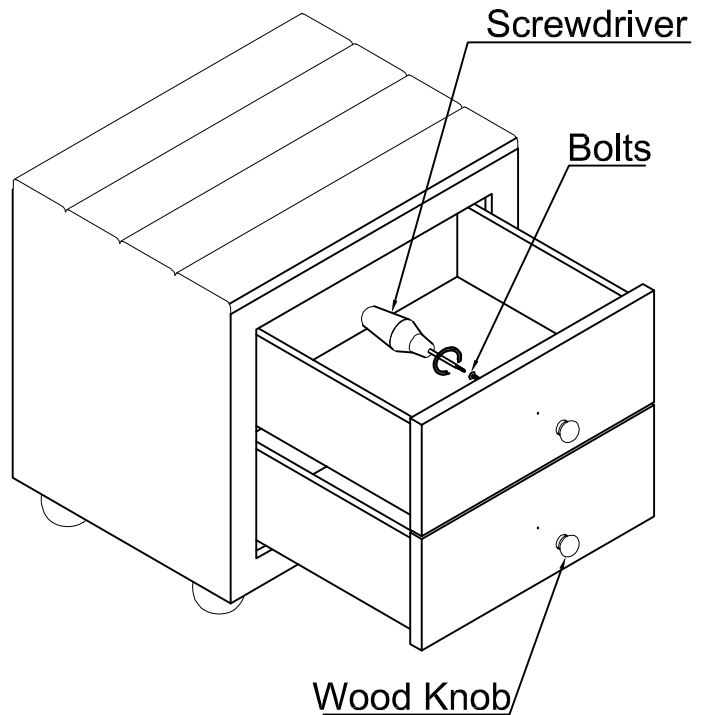
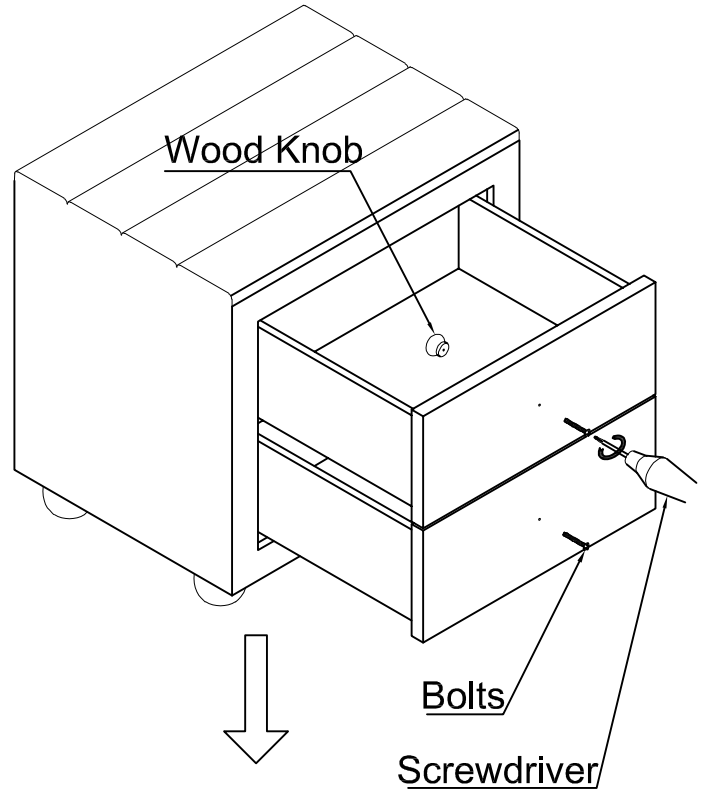
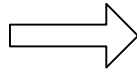
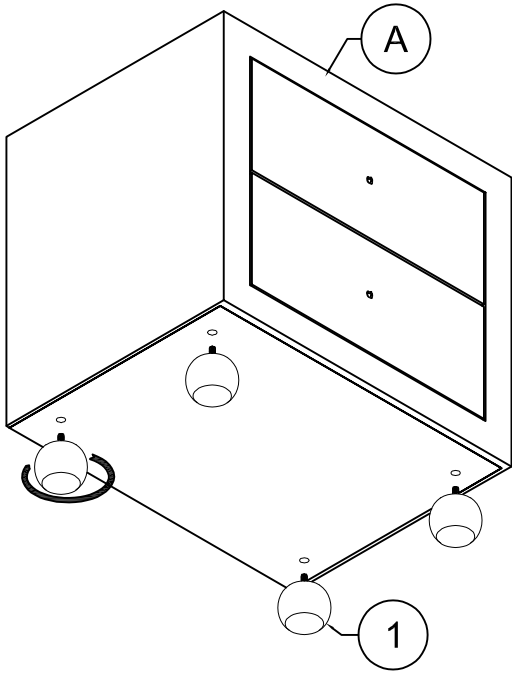


Wood foot  
4pcs



**Assembly Tools Required (Not Included)**

# ASSEMBLY INSTRUCTION



**Finish**