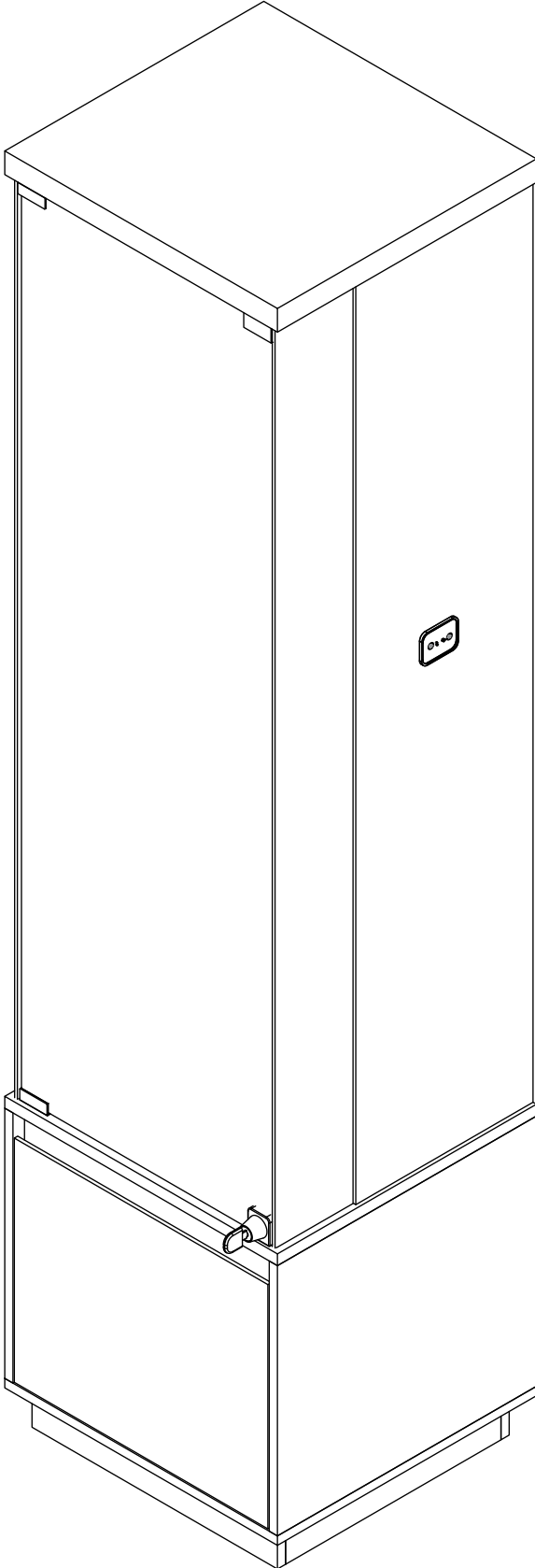
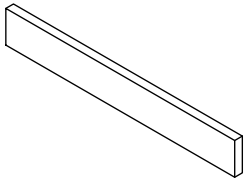
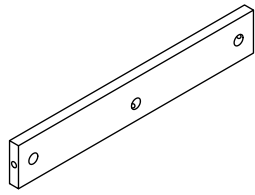


Product Installation Instructions

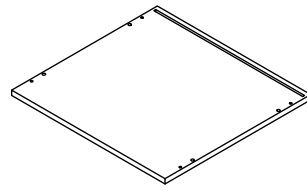




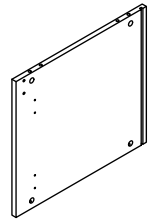
Ax2



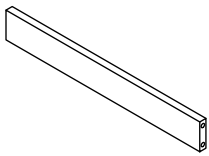
Bx2



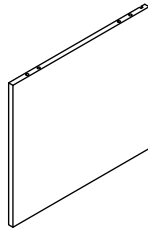
Cx1



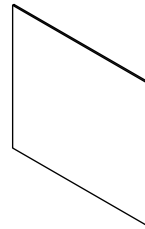
Dx1



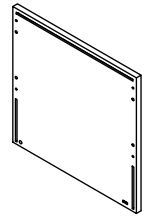
Ex1



Fx1



Gx1



Hx1



Ix1



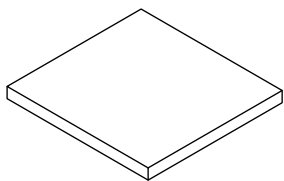
Jx1



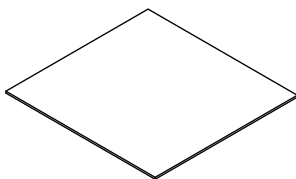
Kx1



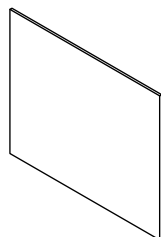
Lx2



Mx1



Nx2



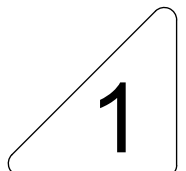
Ox1



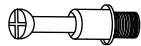

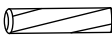

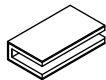
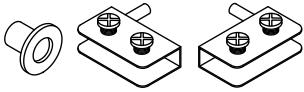

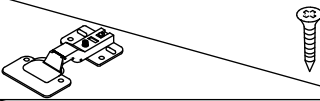
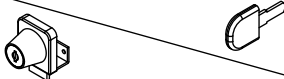



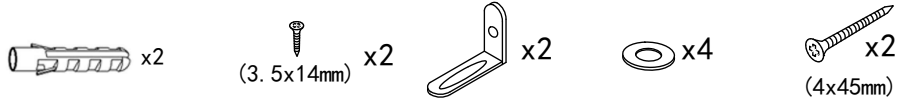
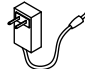
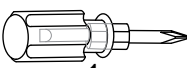
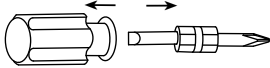
Px1



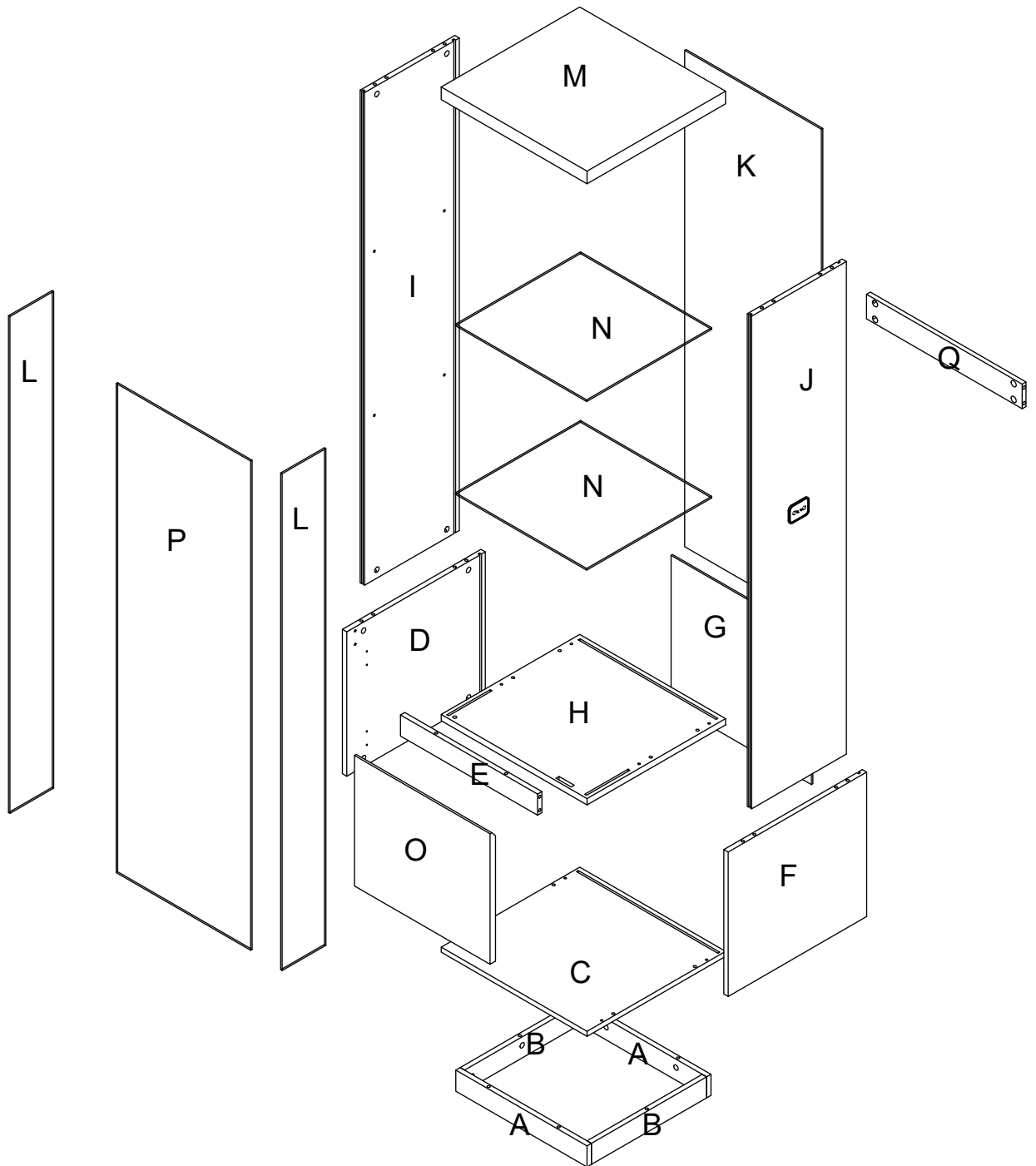
Qx1

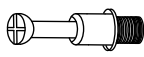

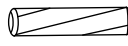






















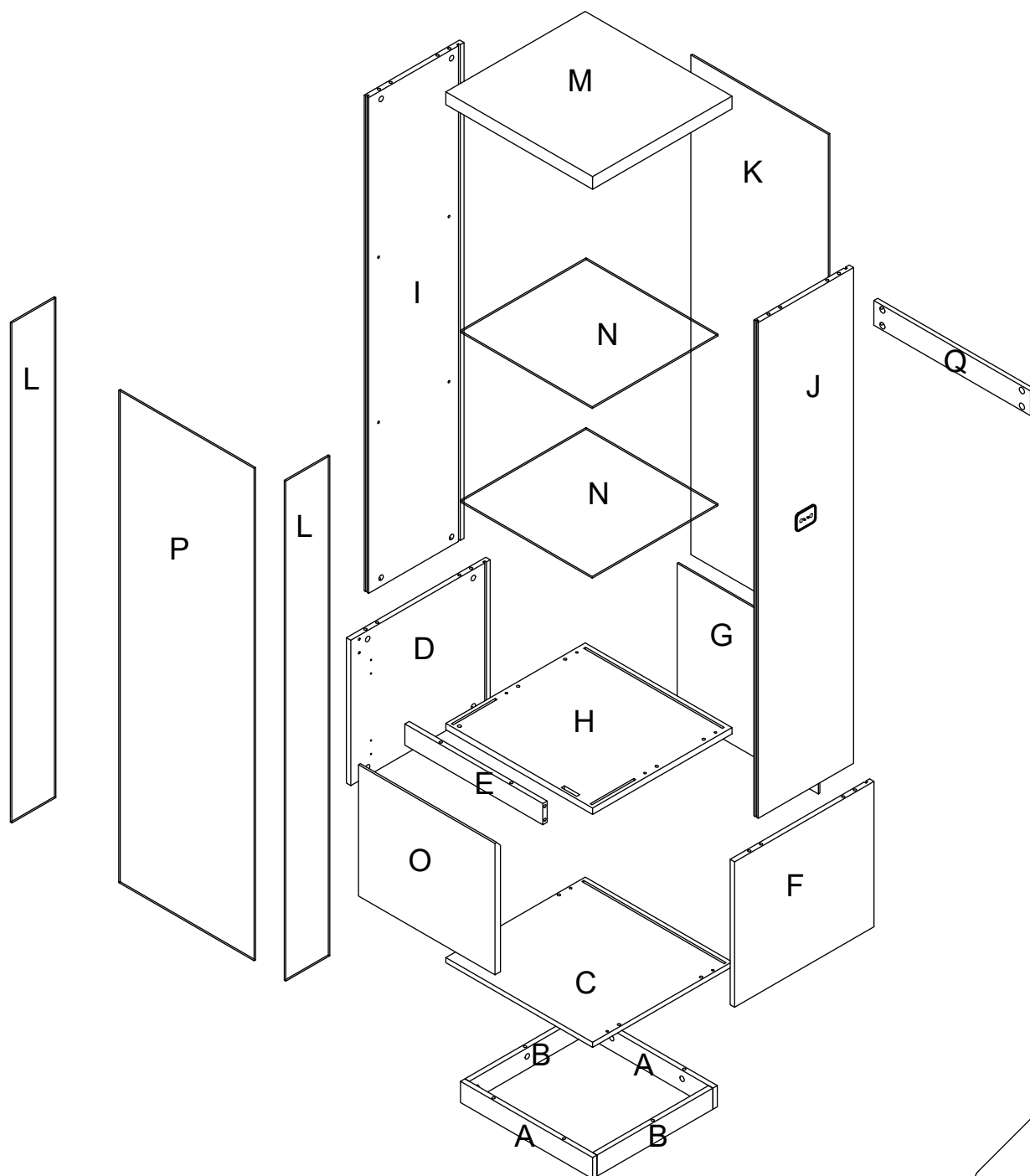
Accessories list

①		Two In One Screw (6x28mm)	36pcs +3pcs
②		Two In One Nut (10x12mm)	36pcs +3pcs
③		Wood Chipping (6x30mm)	16pcs +2pcs
④		Rebound device & Screw (3x16mm)	4pcs +1pcs 1pcs
		Iron sheet	1pcs
		Hinge	2pcs
⑤		Laminate support nail	8pcs +2pcs
⑥		Hinge & Screw (3.5x12mm)	12pcs +2pcs 2pcs
⑦		Single door glass lock Key	2pcs 1pcs
⑧		Fixing clip & screw (3x16mm)	10pcs +2pcs 10pcs
⑨		Clamp	2pcs
⑩		Non-slip pads	4pcs +2pcs
⑪			
		AC/DC Adapter (12V=2.0A)	1pcs
		1pcs	
		Double-head screwdriver, use as required	

Product structure decomposition

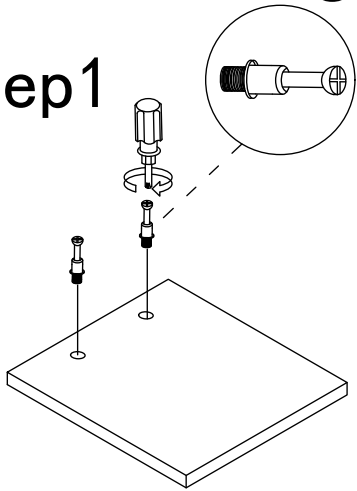


①		32pcs	②		32pcs	③		16pcs
④	 1pcs	 4pcs	 1pcs	 2pcs	 1pcs	 1pcs	⑤	 8pcs
⑥	 2pcs	 12pcs	⑦	 1pcs	 2pcs	⑧	 10pcs	 10pcs
⑨	 2pcs	⑩	 4pcs					
⑪	 2pcs	 2pcs	 2pcs	 4pcs	 2pcs			

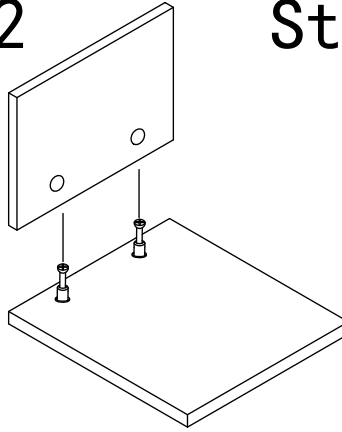


Use parts A and B

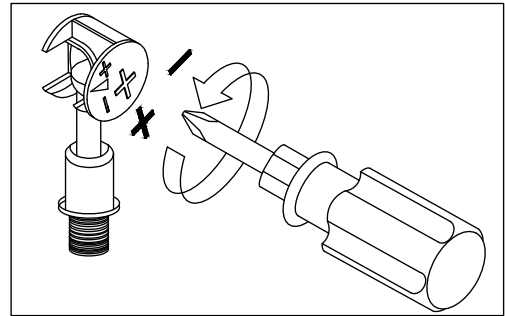
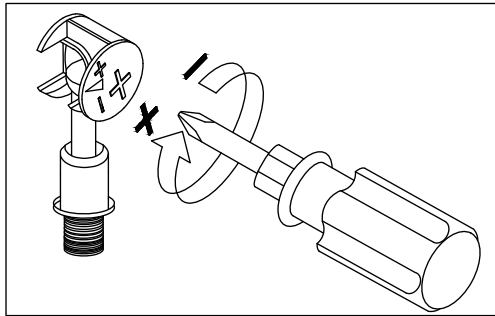
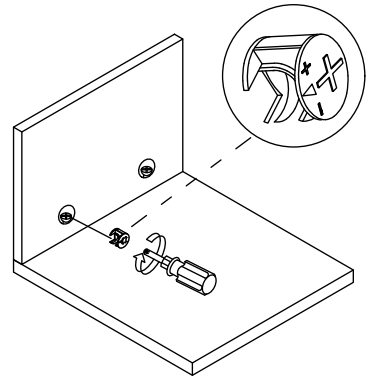
Step1



Step2



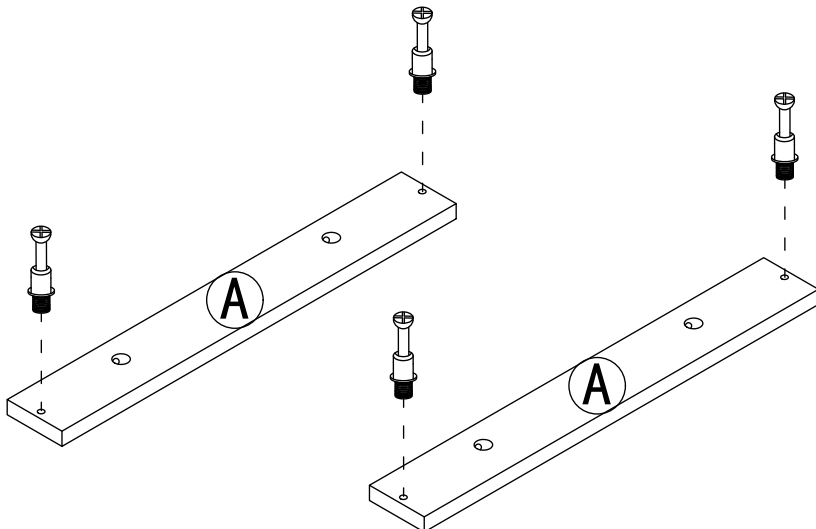
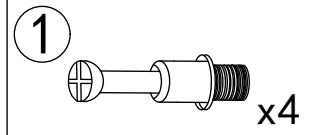
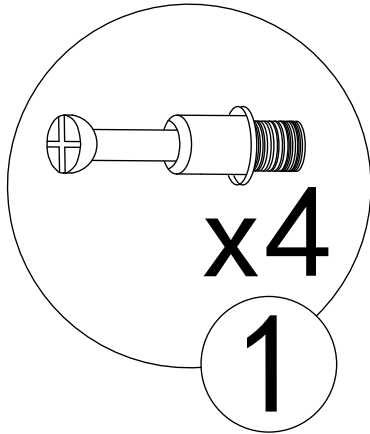
Step3



Use a screwdriver to lock in the direction of the "+" sign

Disassemble along the direction of "-" sign

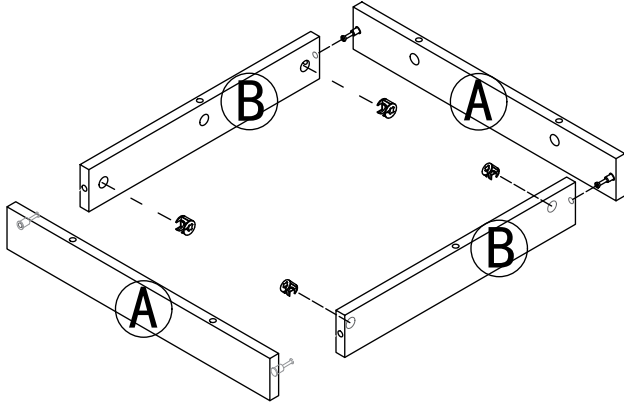
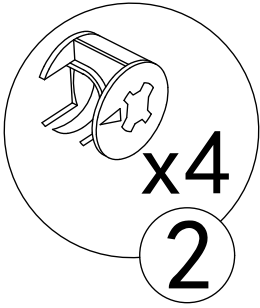
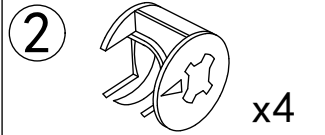
Step 1



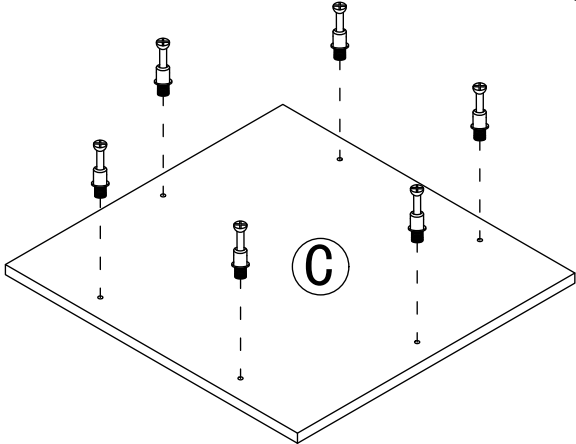
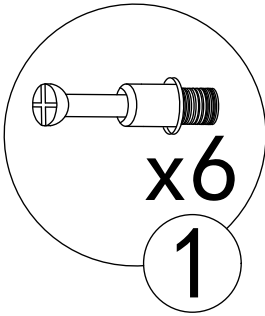
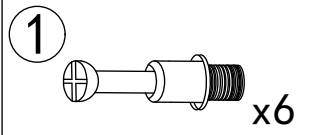
X2

5

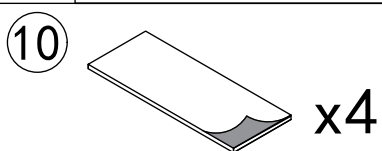
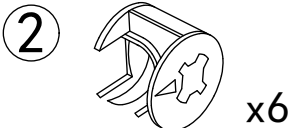
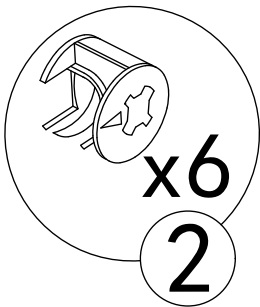
Step 2



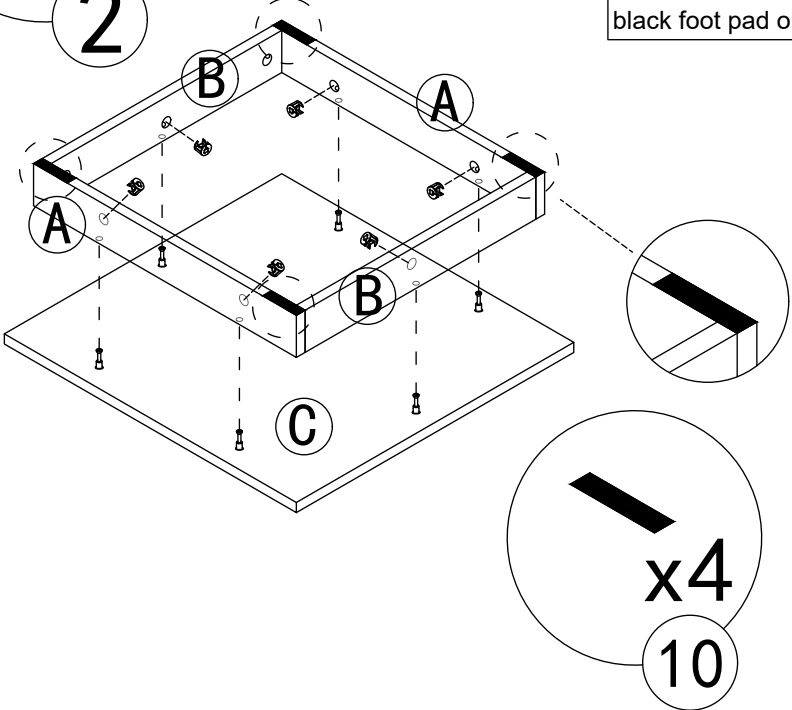
Step 3



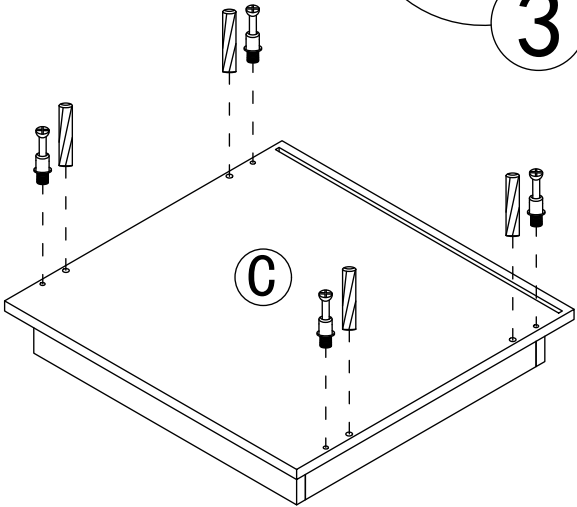
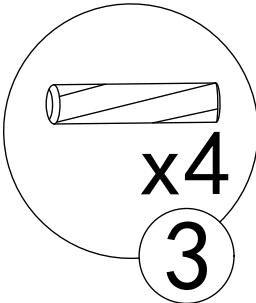
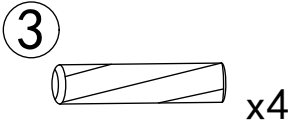
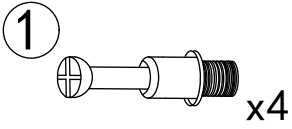
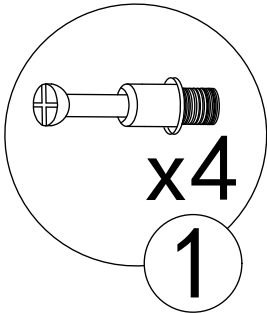
Step 4



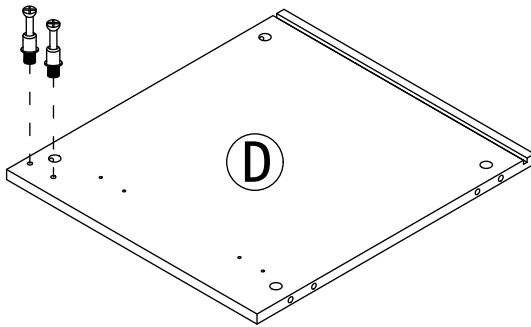
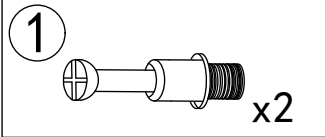
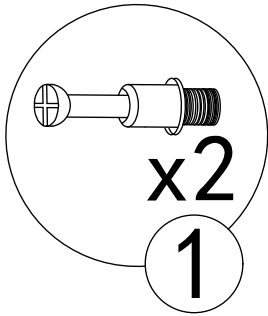
Tear off release paper and stick the black foot pad on the board



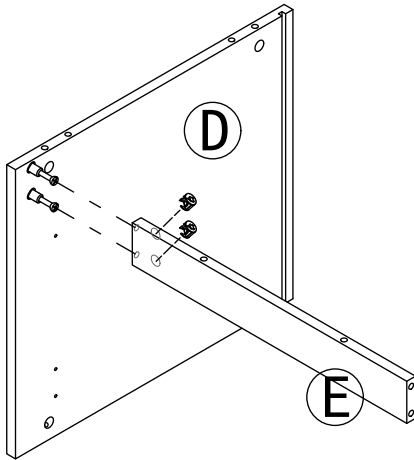
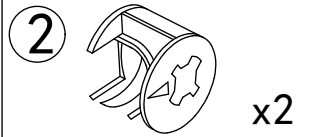
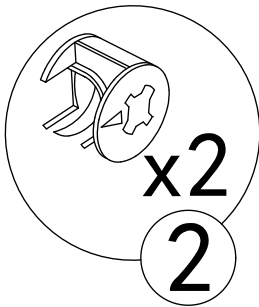
Step 5



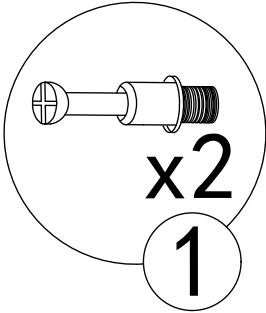
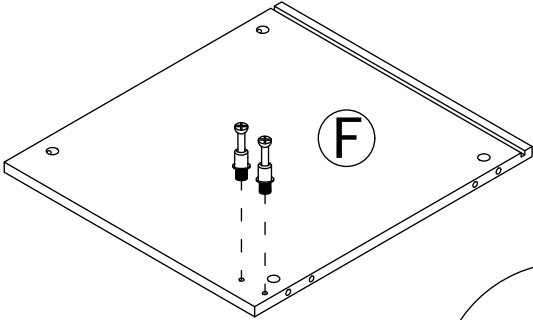
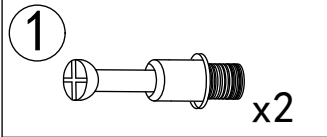
Step 6



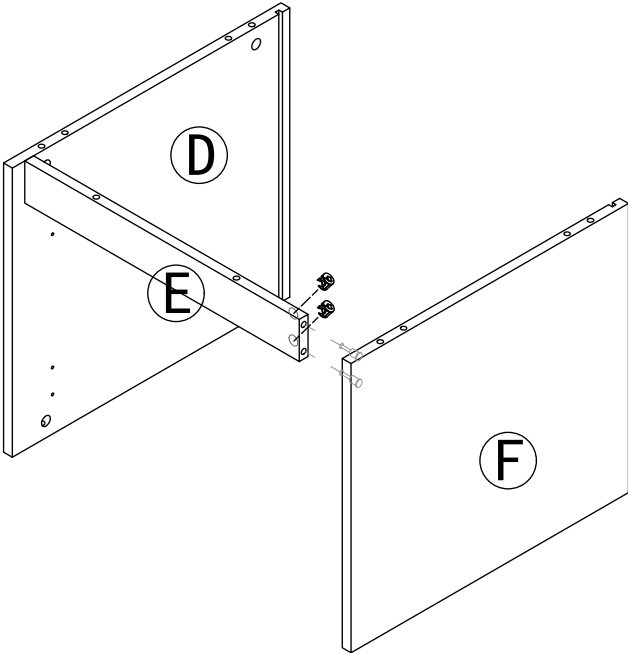
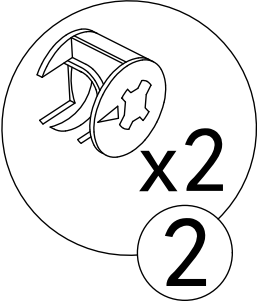
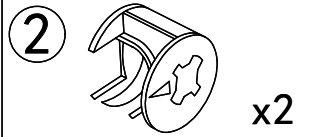
Step 7



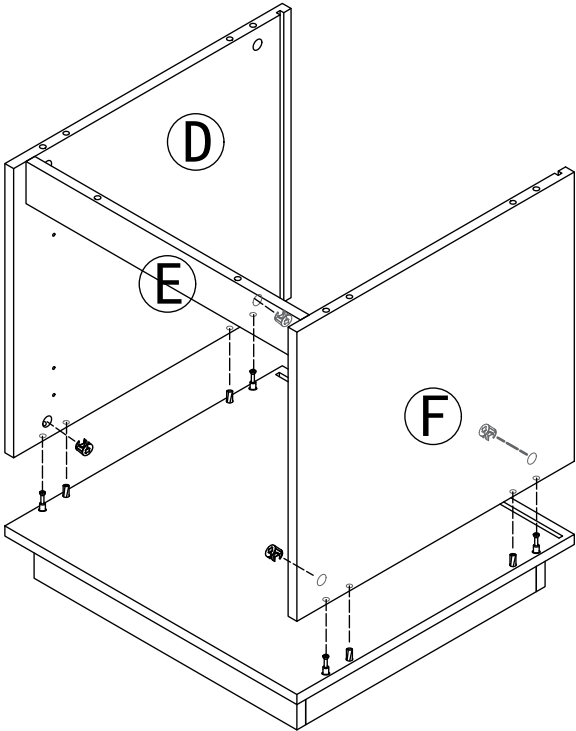
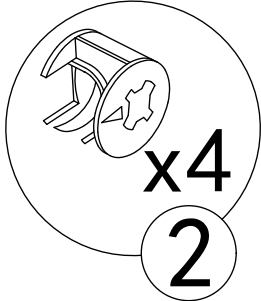
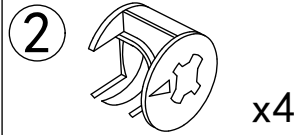
Step 8



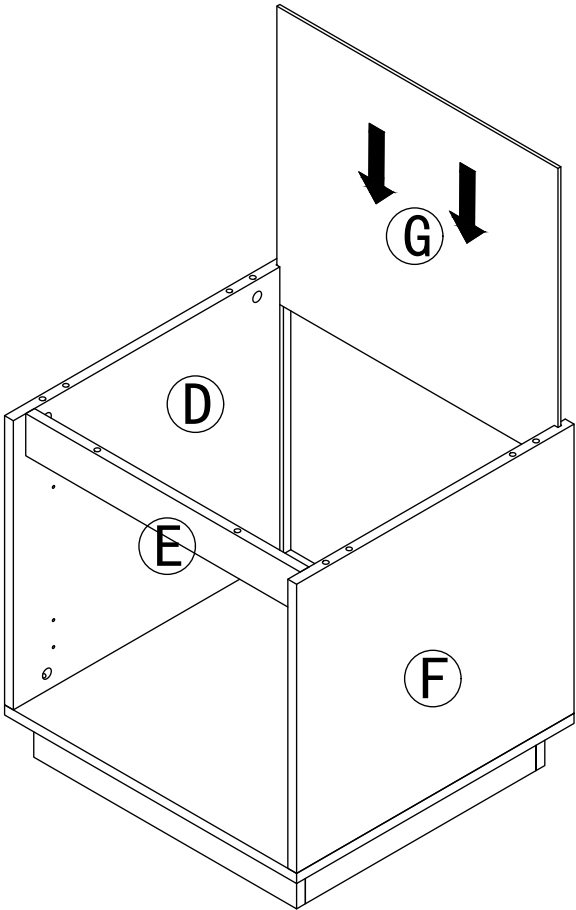
Step 9



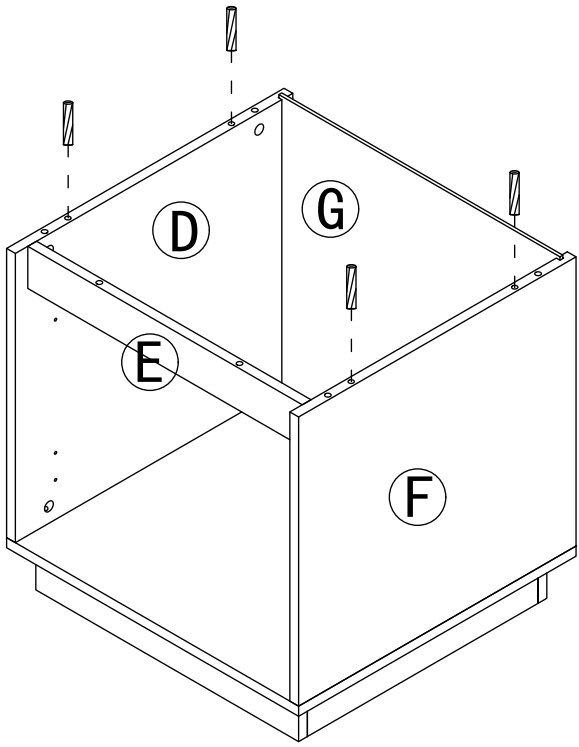
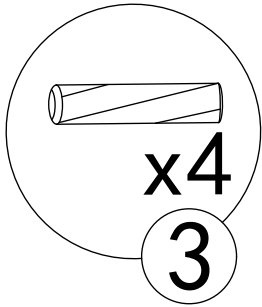
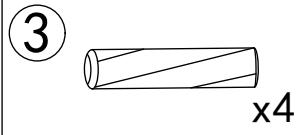
Step 10



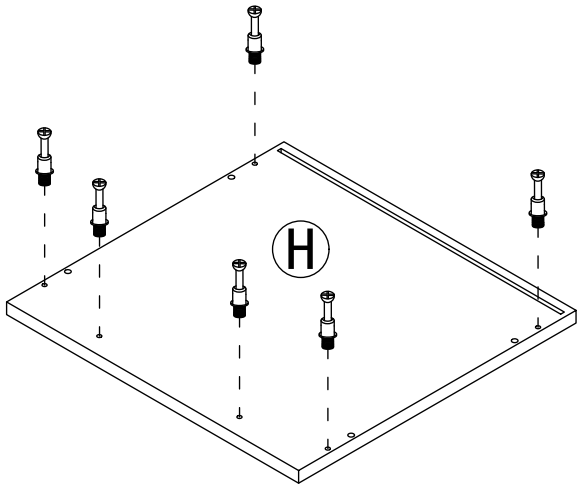
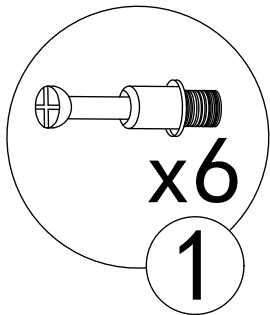
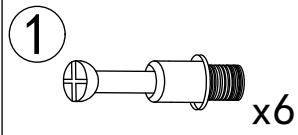
Step 11



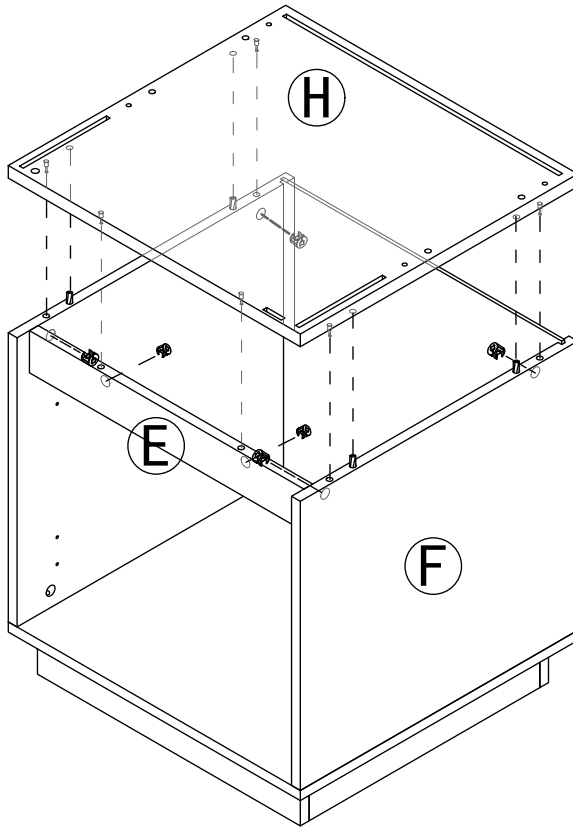
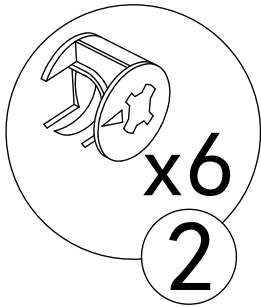
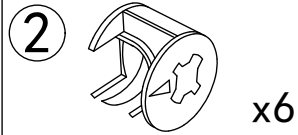
Step 12



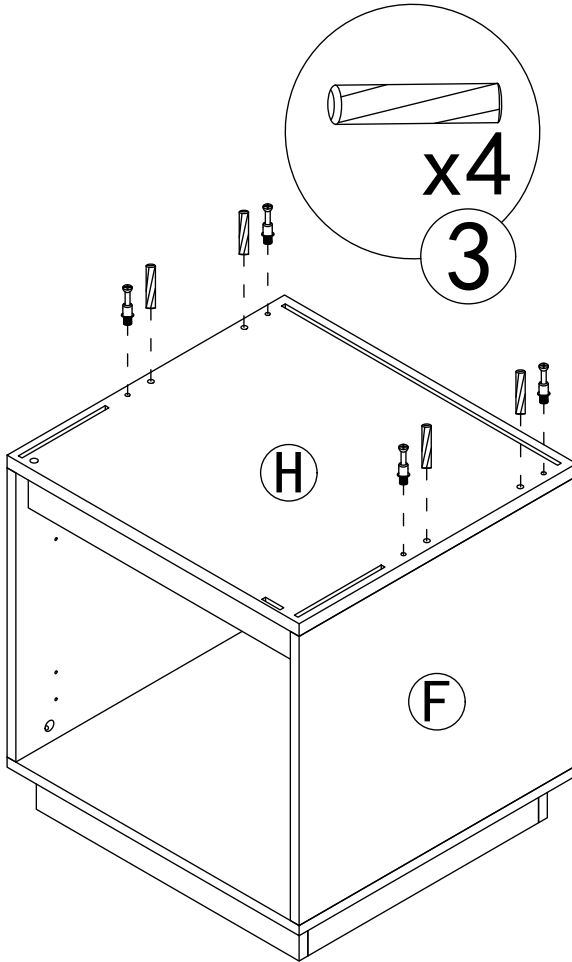
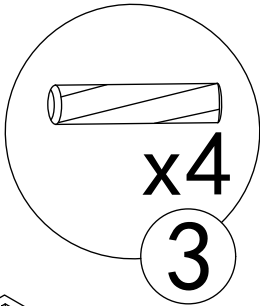
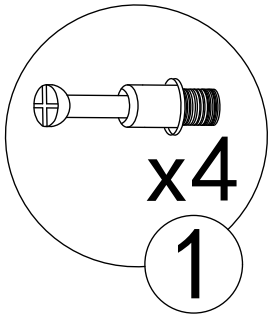
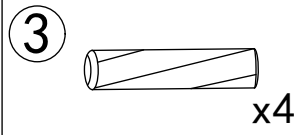
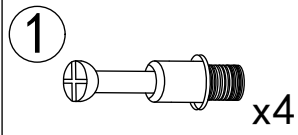
Step 13



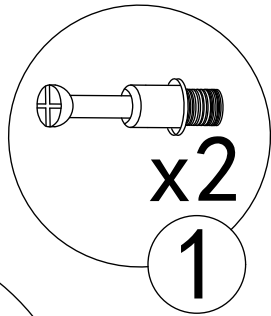
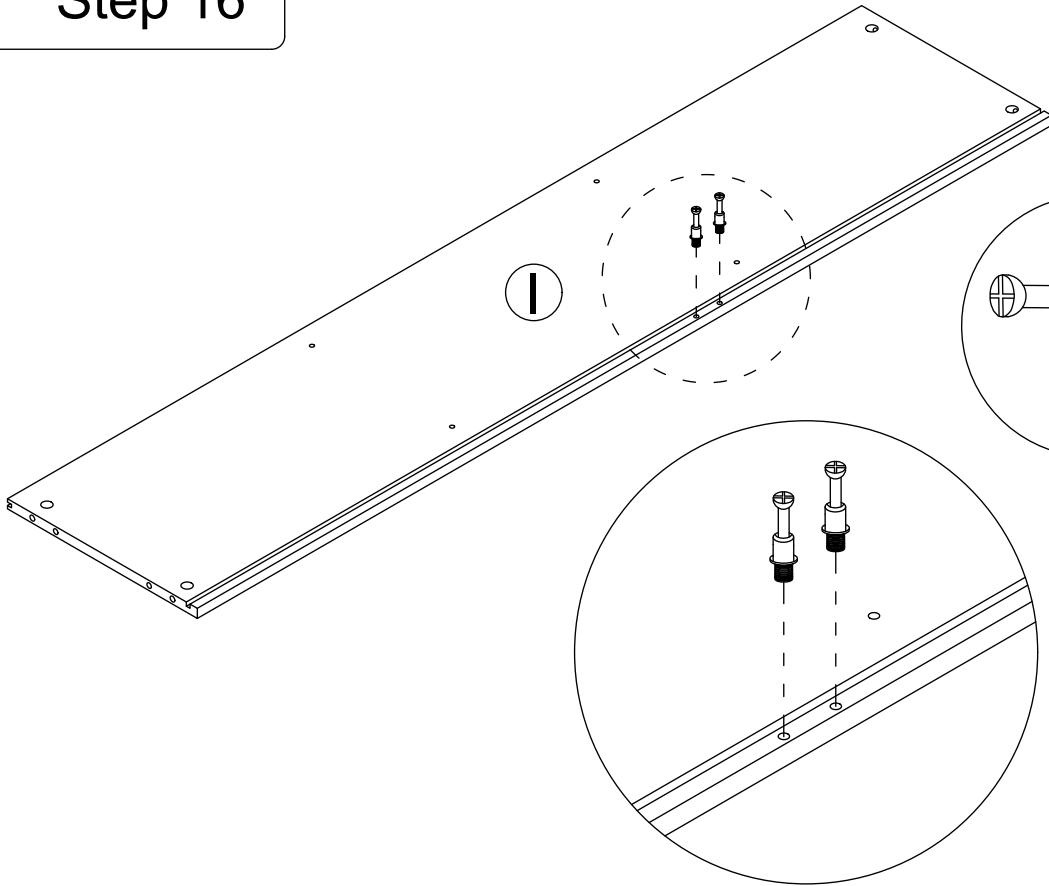
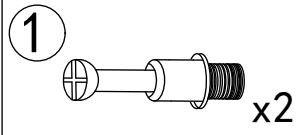
Step 14



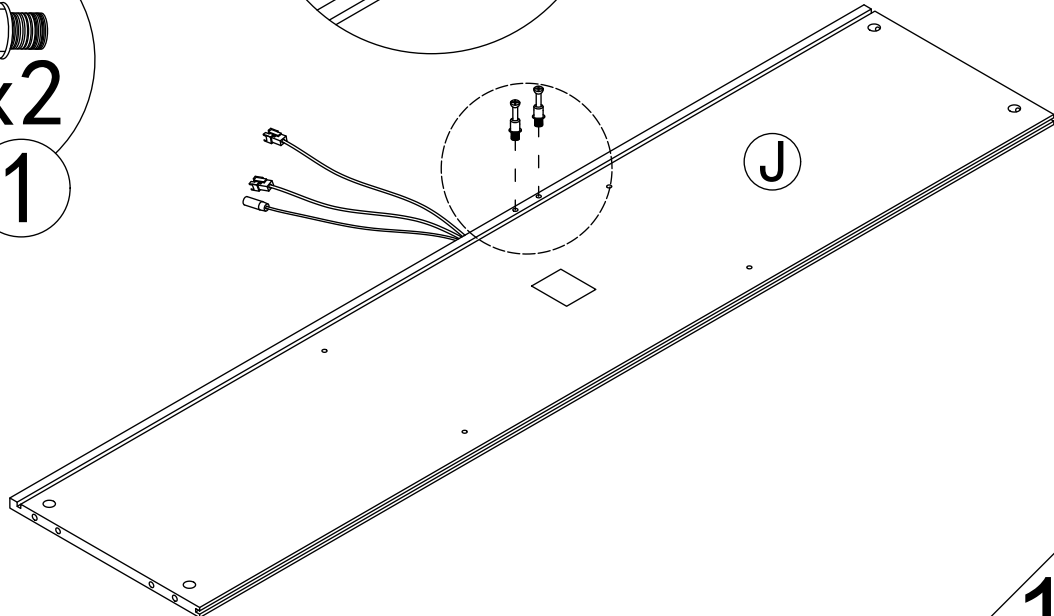
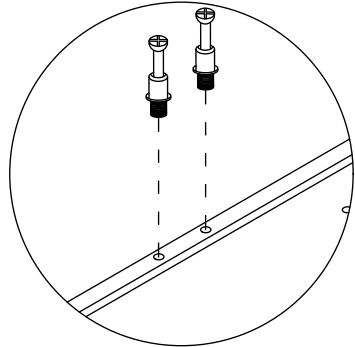
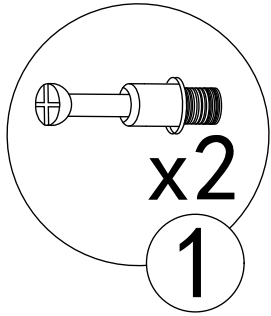
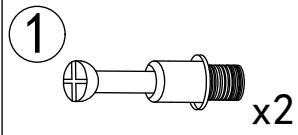
Step 15



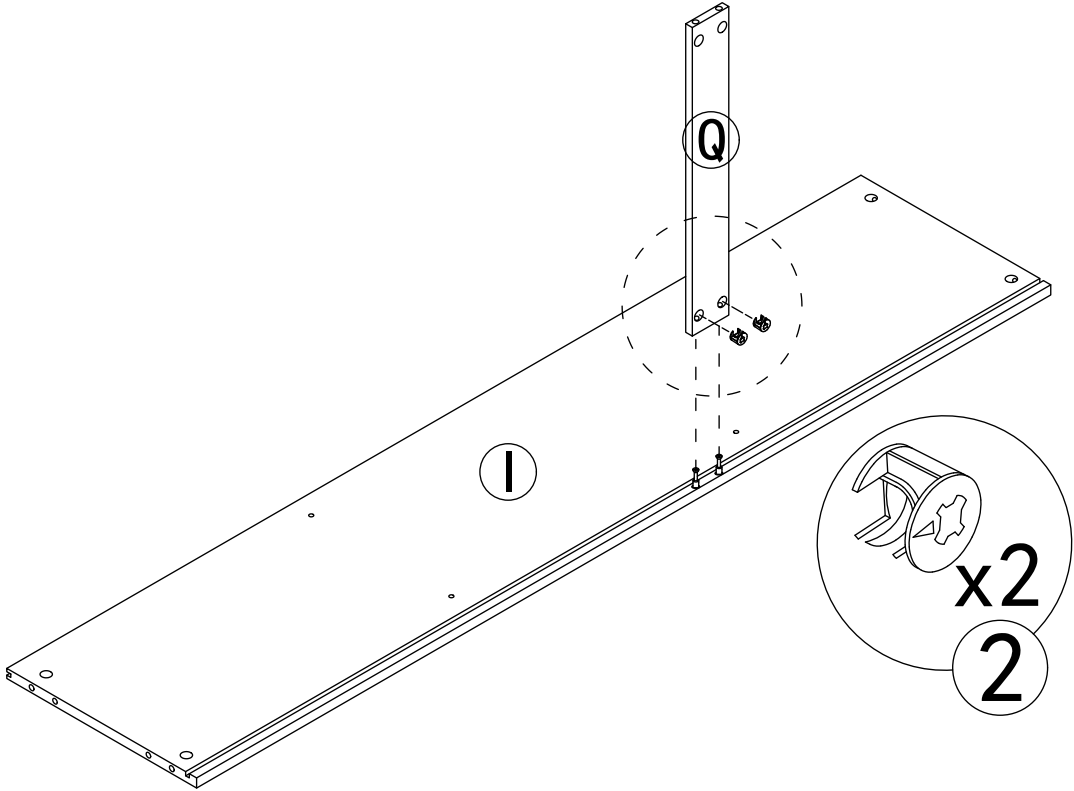
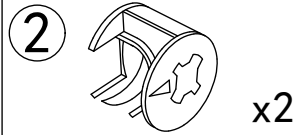
Step 16



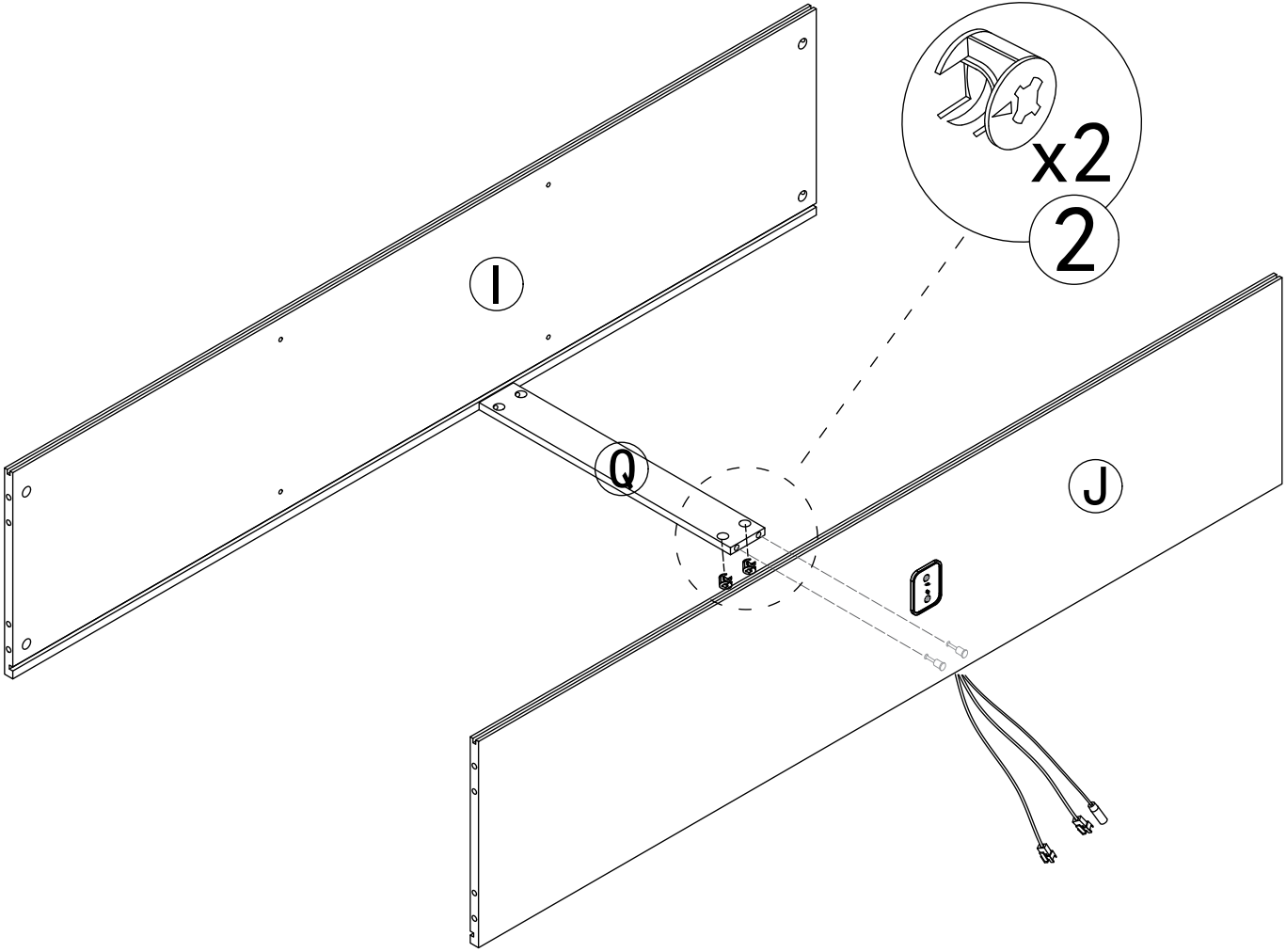
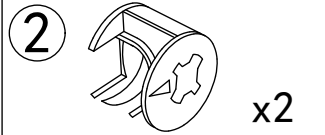
Step 17



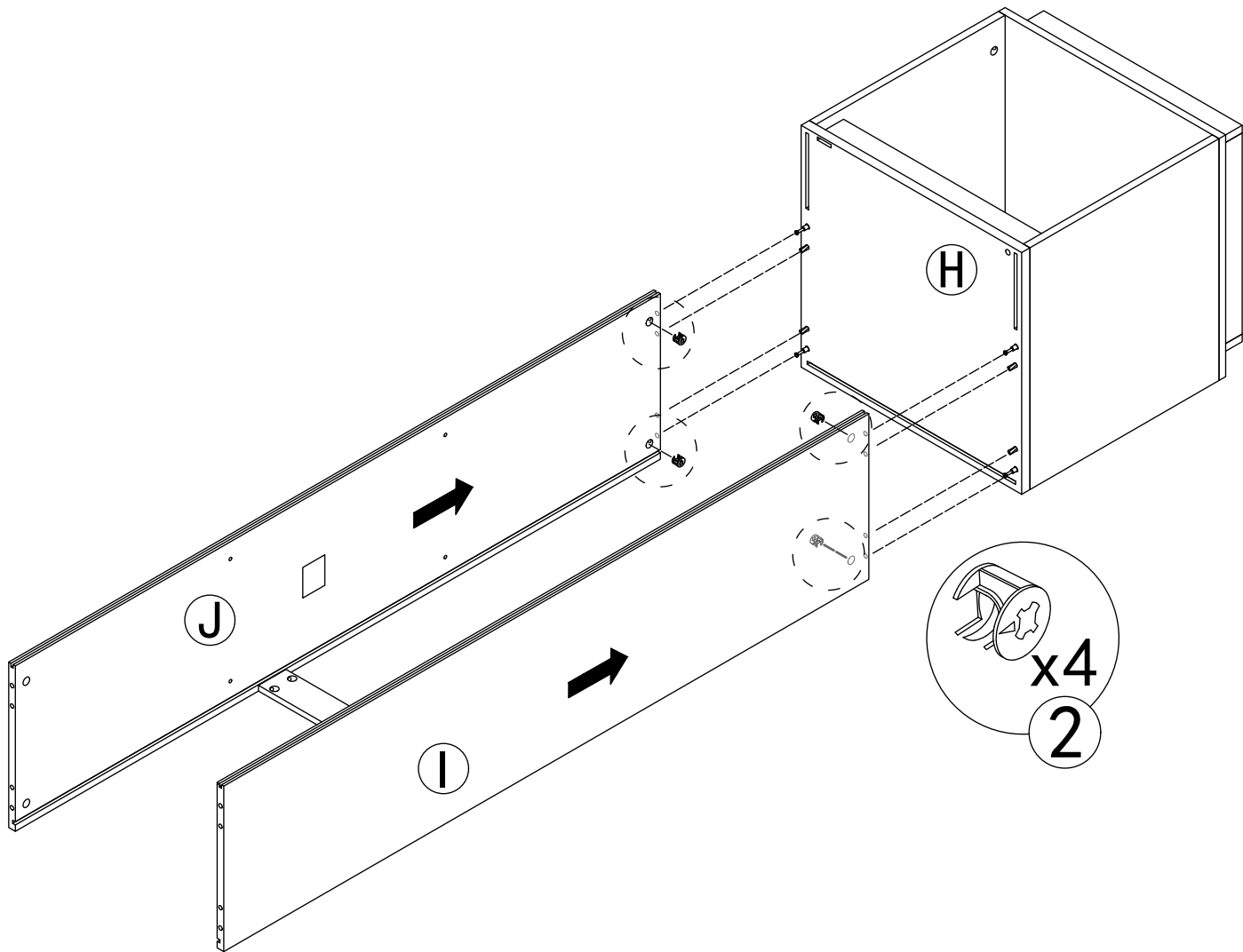
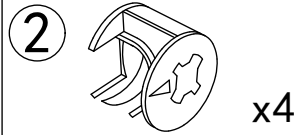
Step 18



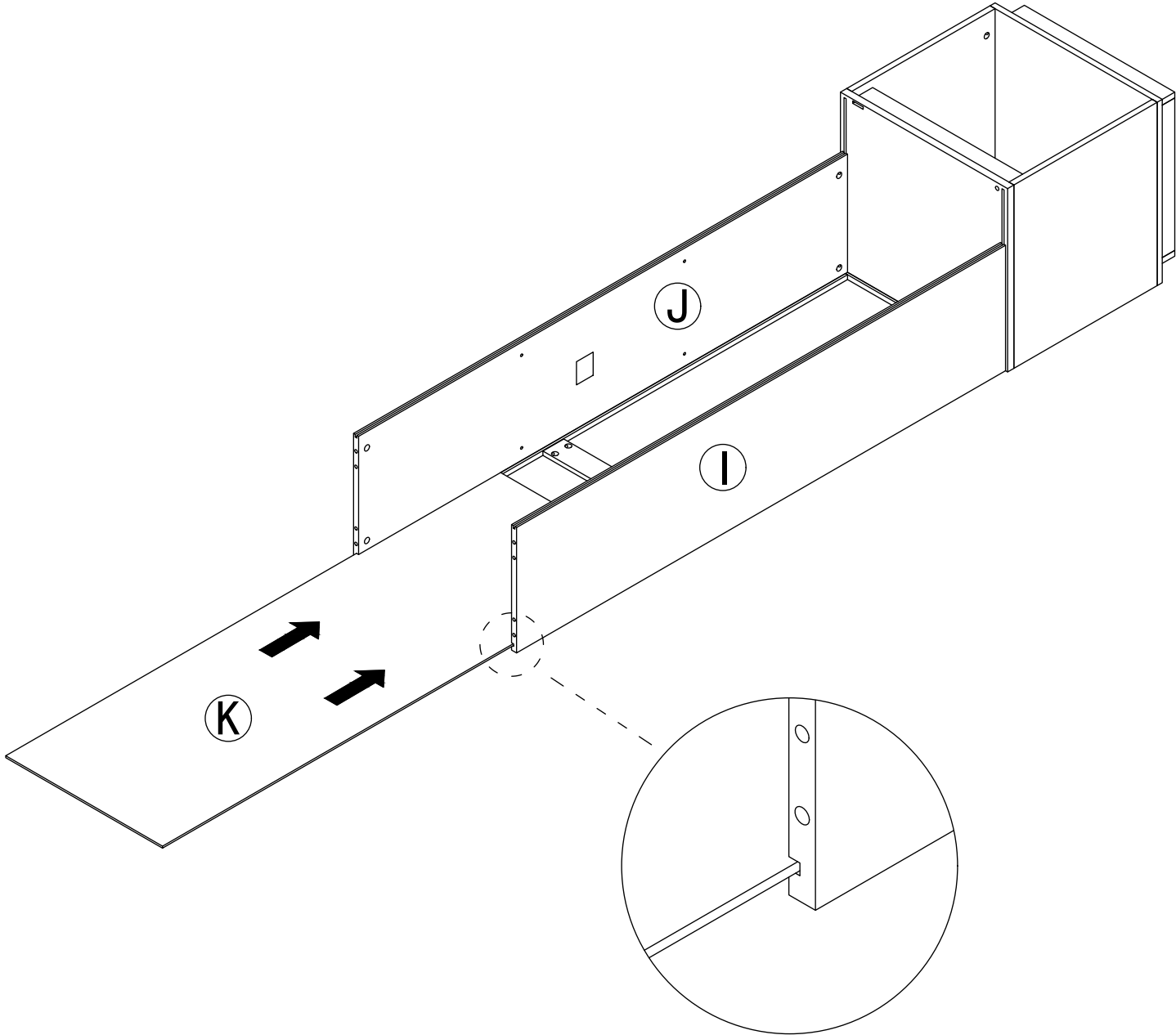
Step 19



Step 20

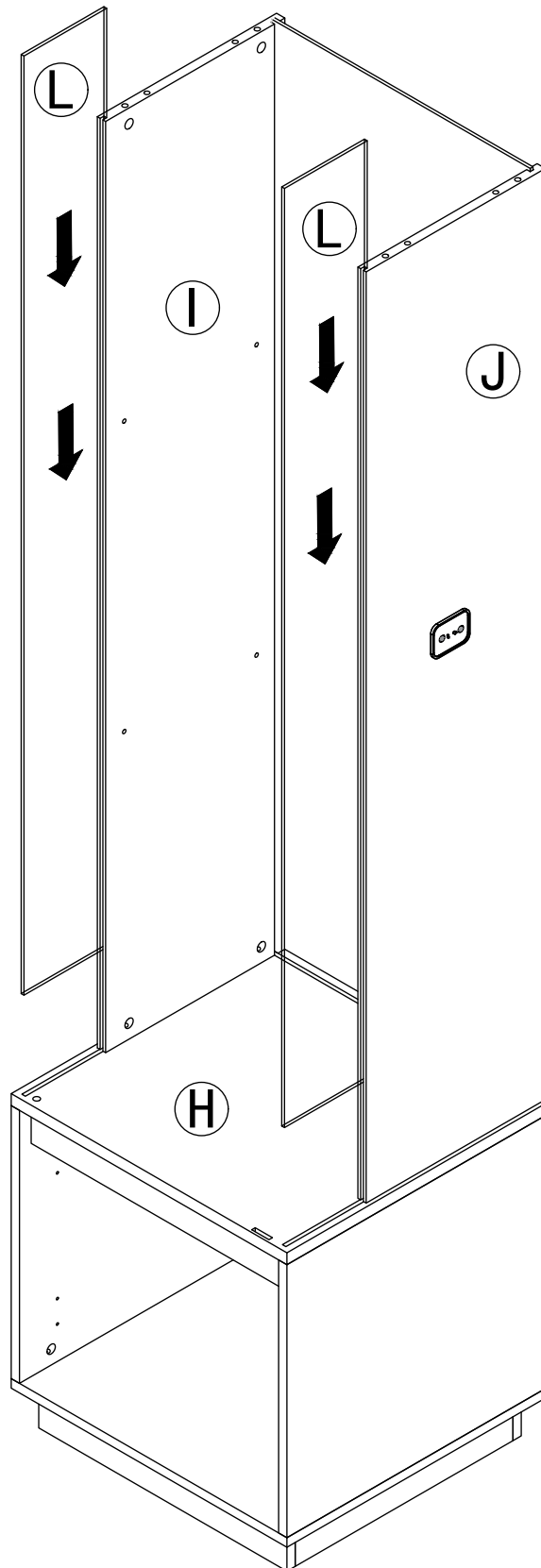


Step 21

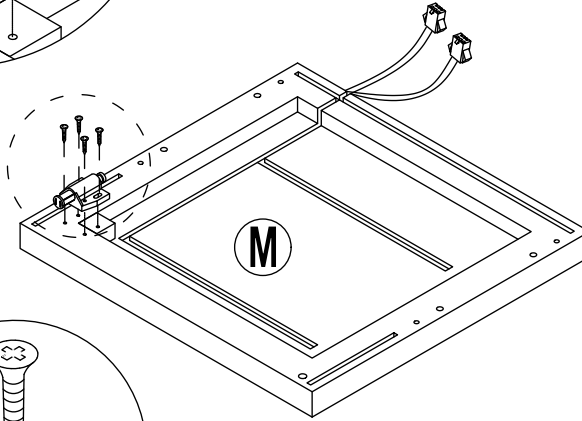
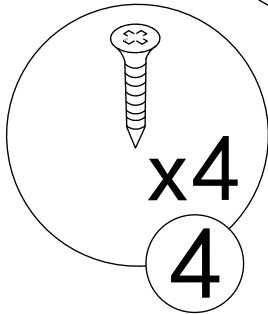
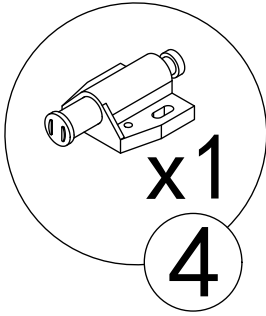
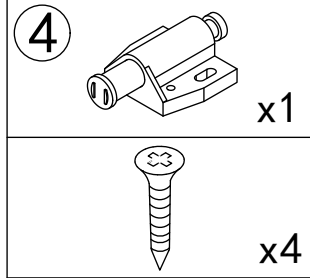
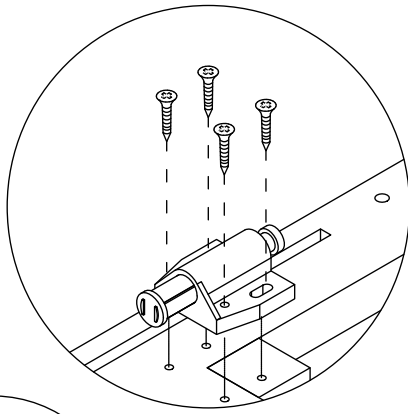


Step 22

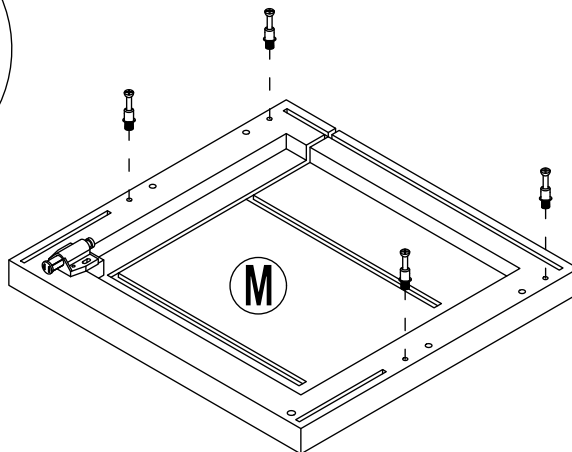
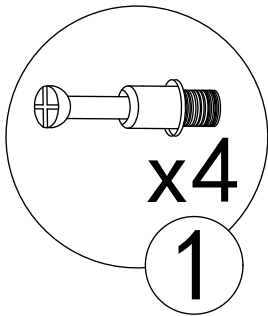
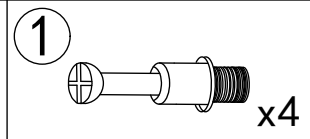
Tip: Pay attention to the glass falling down



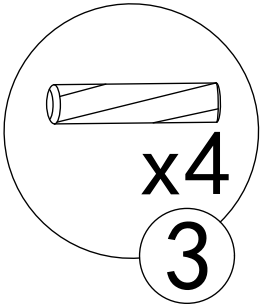
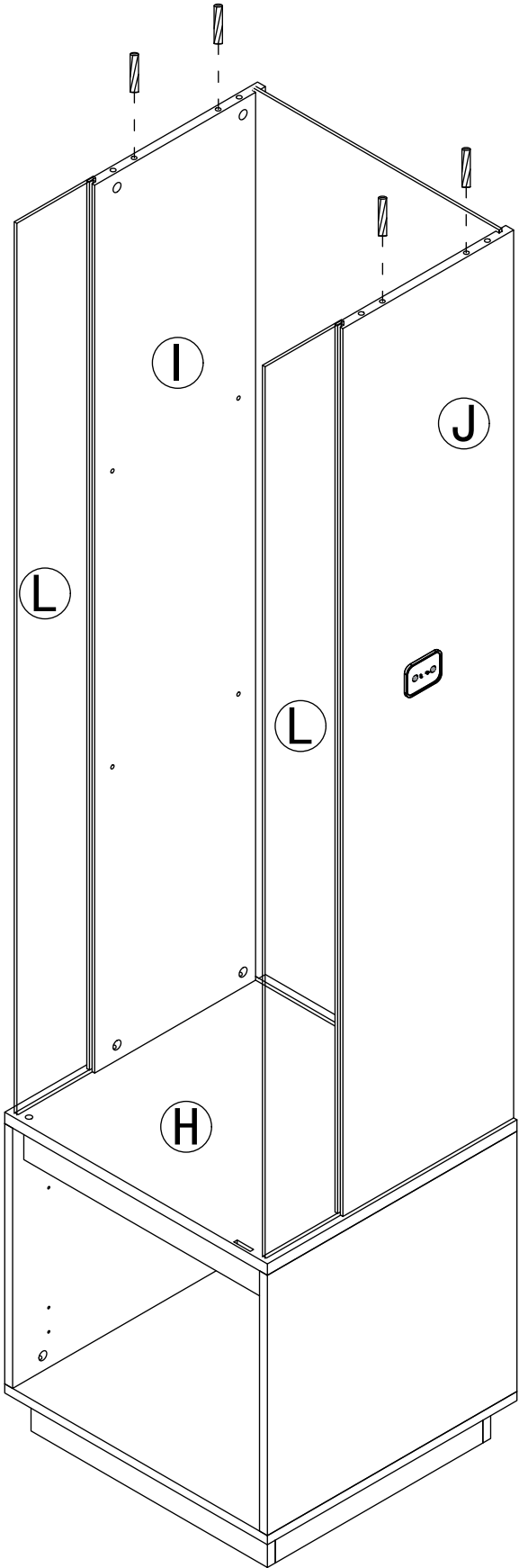
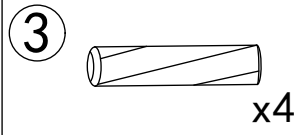
Step 23



Step 24

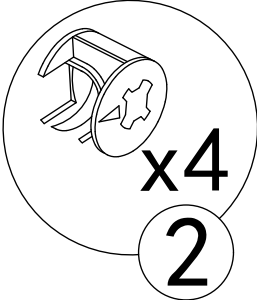
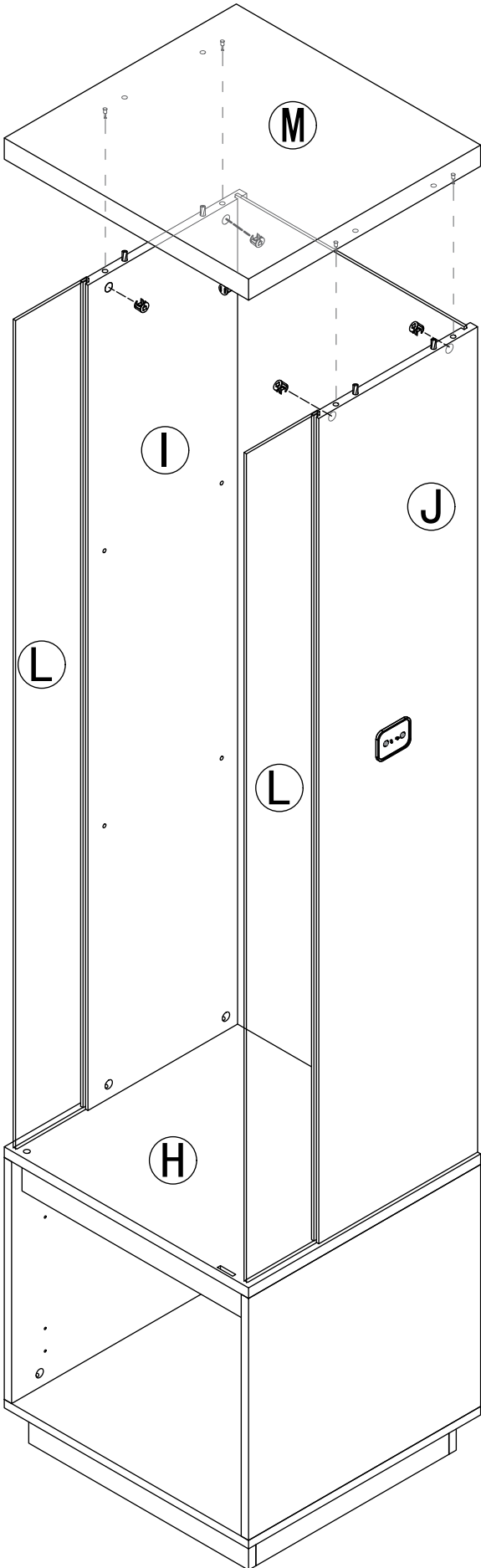
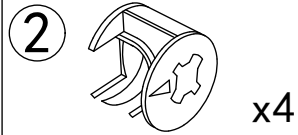


Step 25



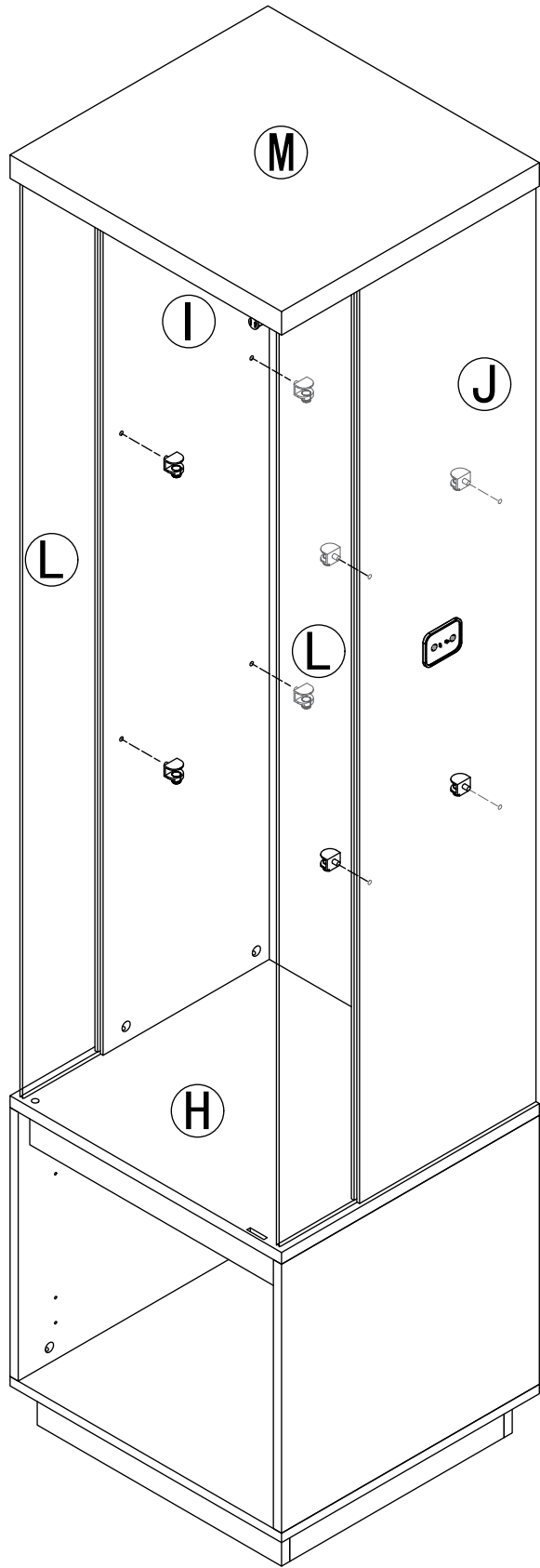
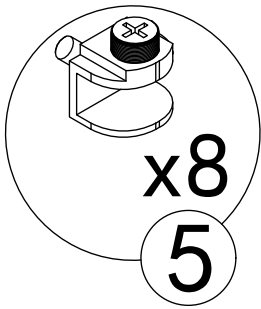
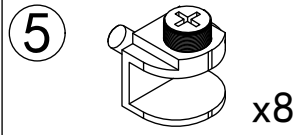
Tip: Pay attention to the glass falling down

Step 26

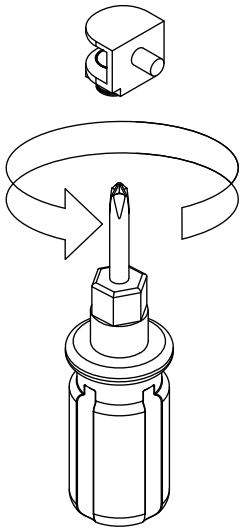


Tip: Pay attention to the glass falling down

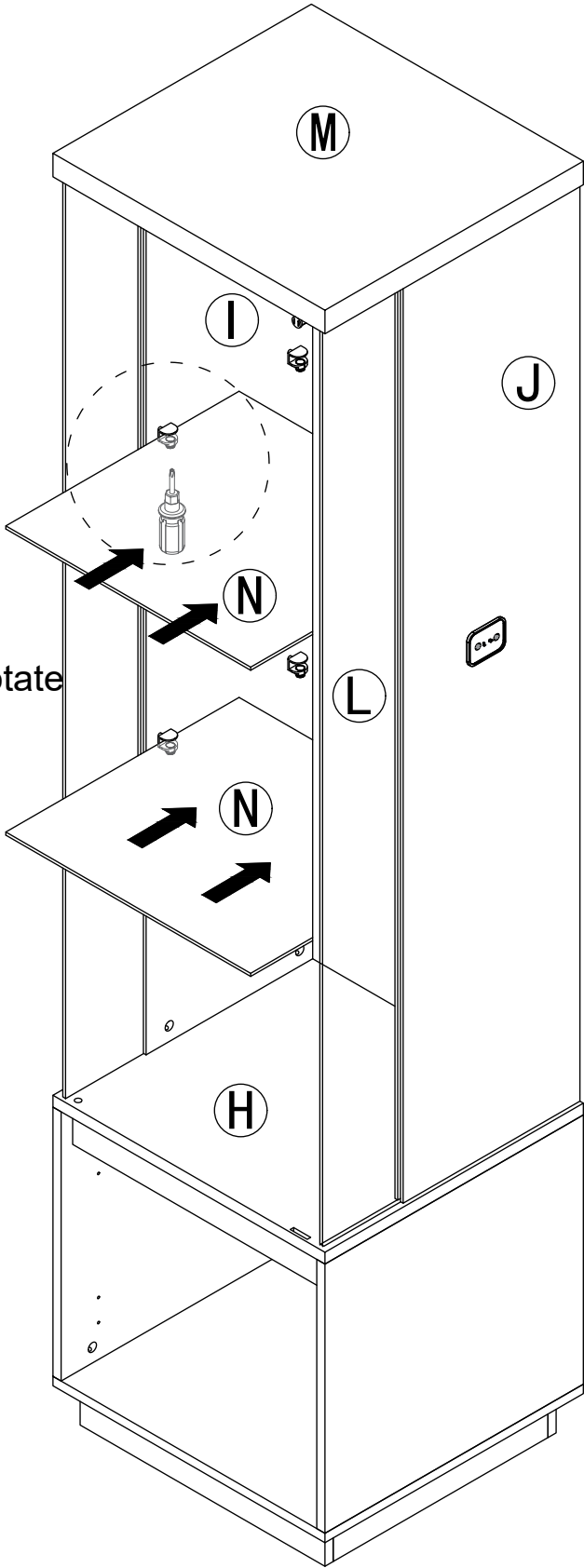
Step 27



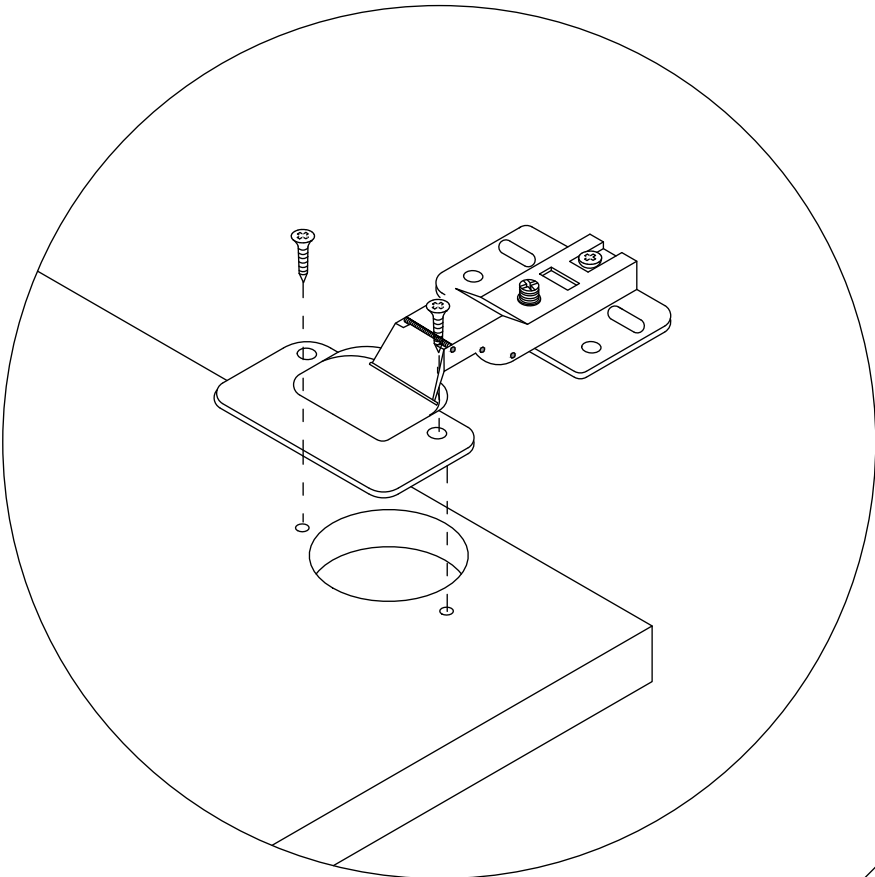
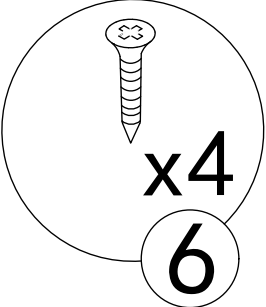
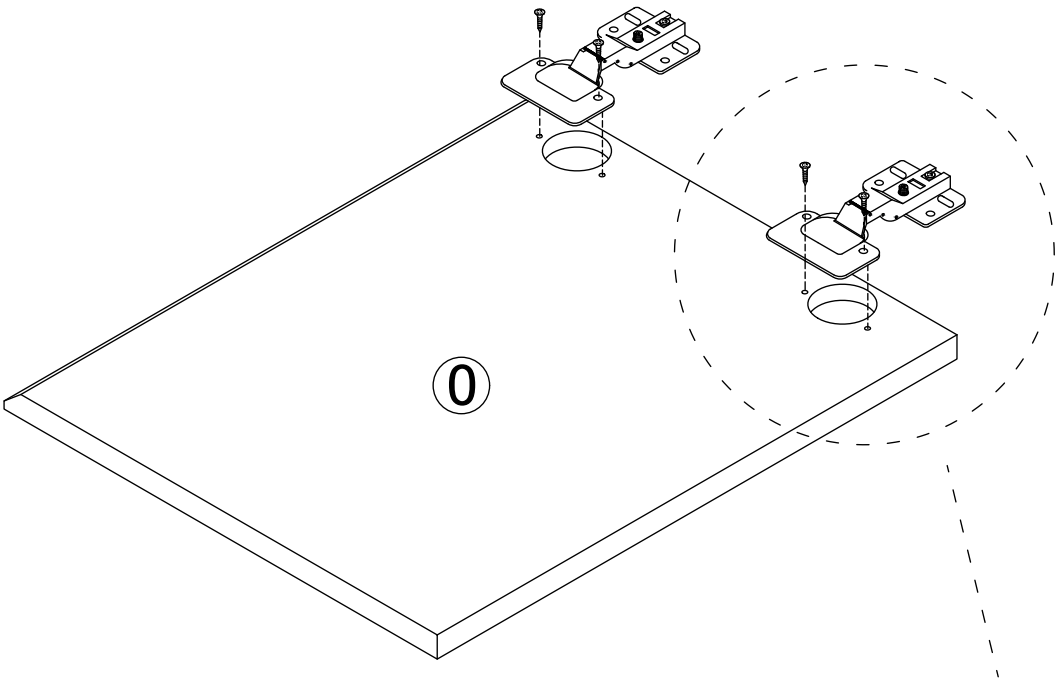
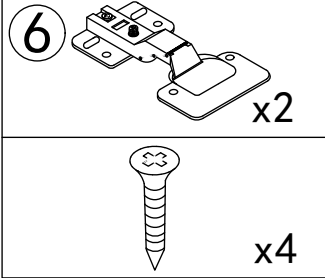
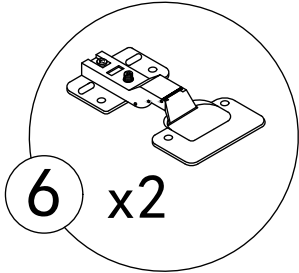
Step 28



Tip: Adjusting the screw to rotate to the left can fix the glass

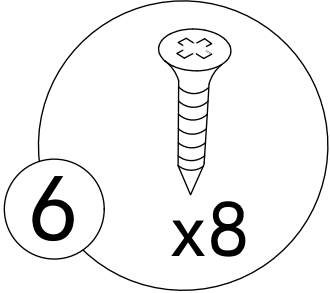
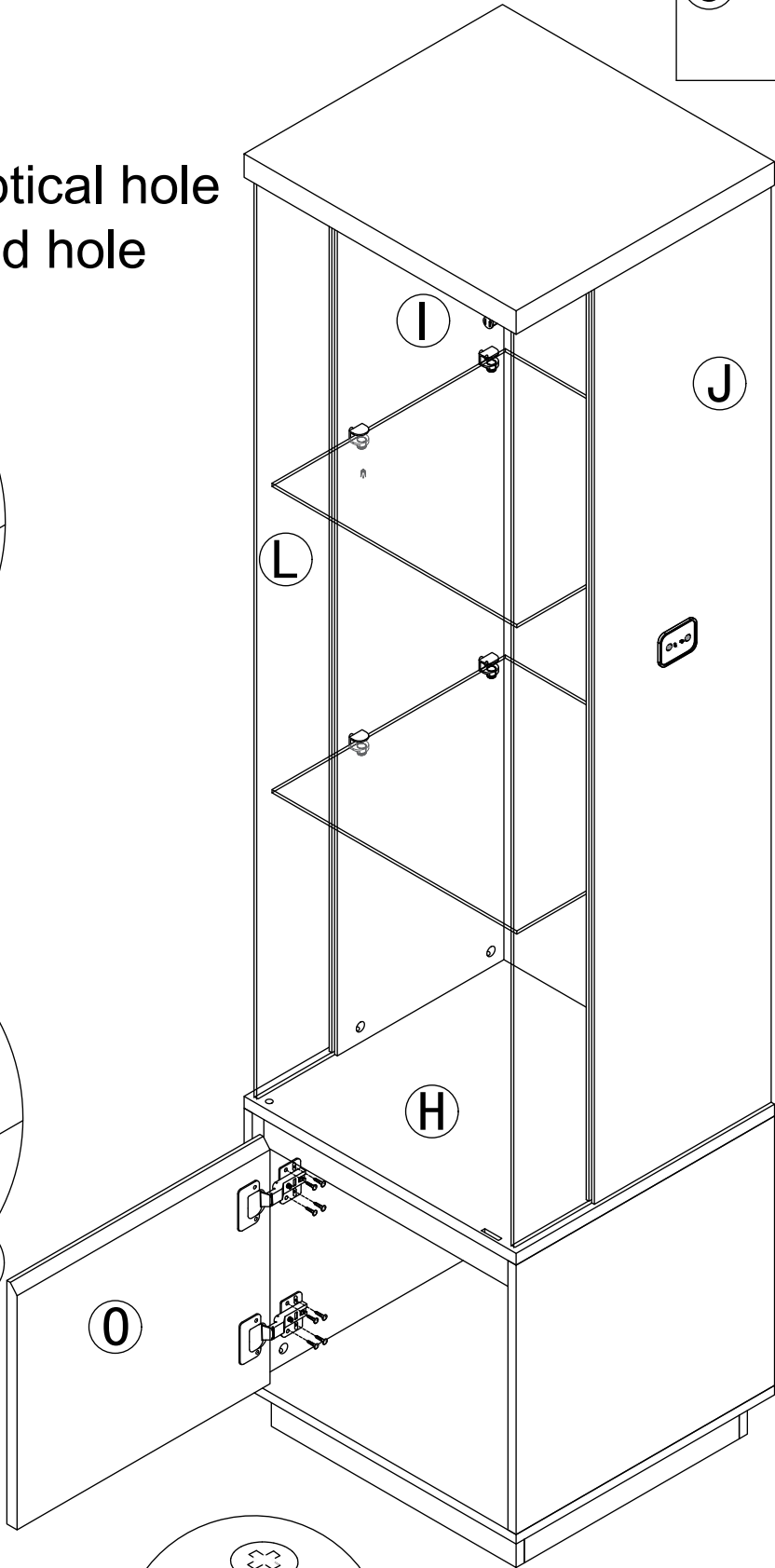
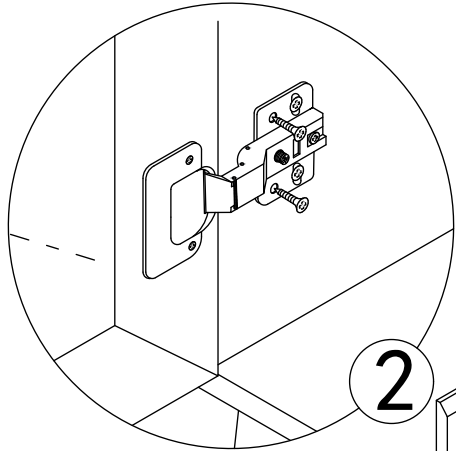
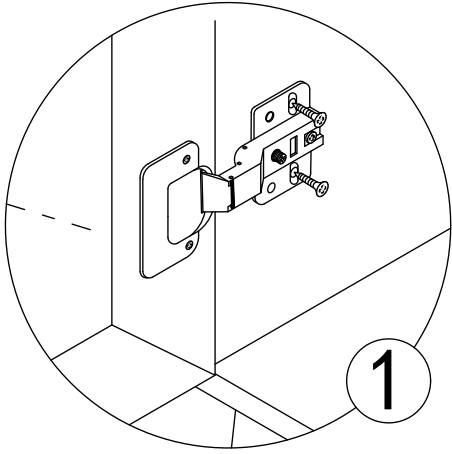
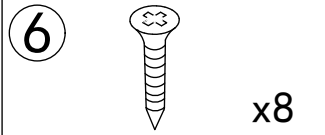


Step 29



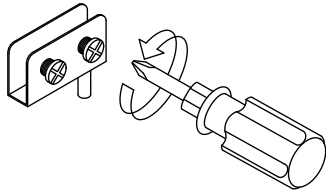
Step 30

First lock the elliptical hole
then lock the fixed hole

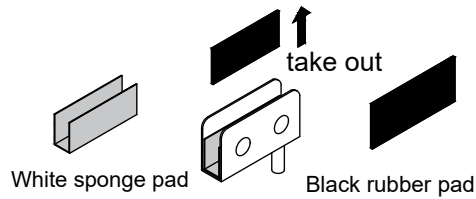


Step 31

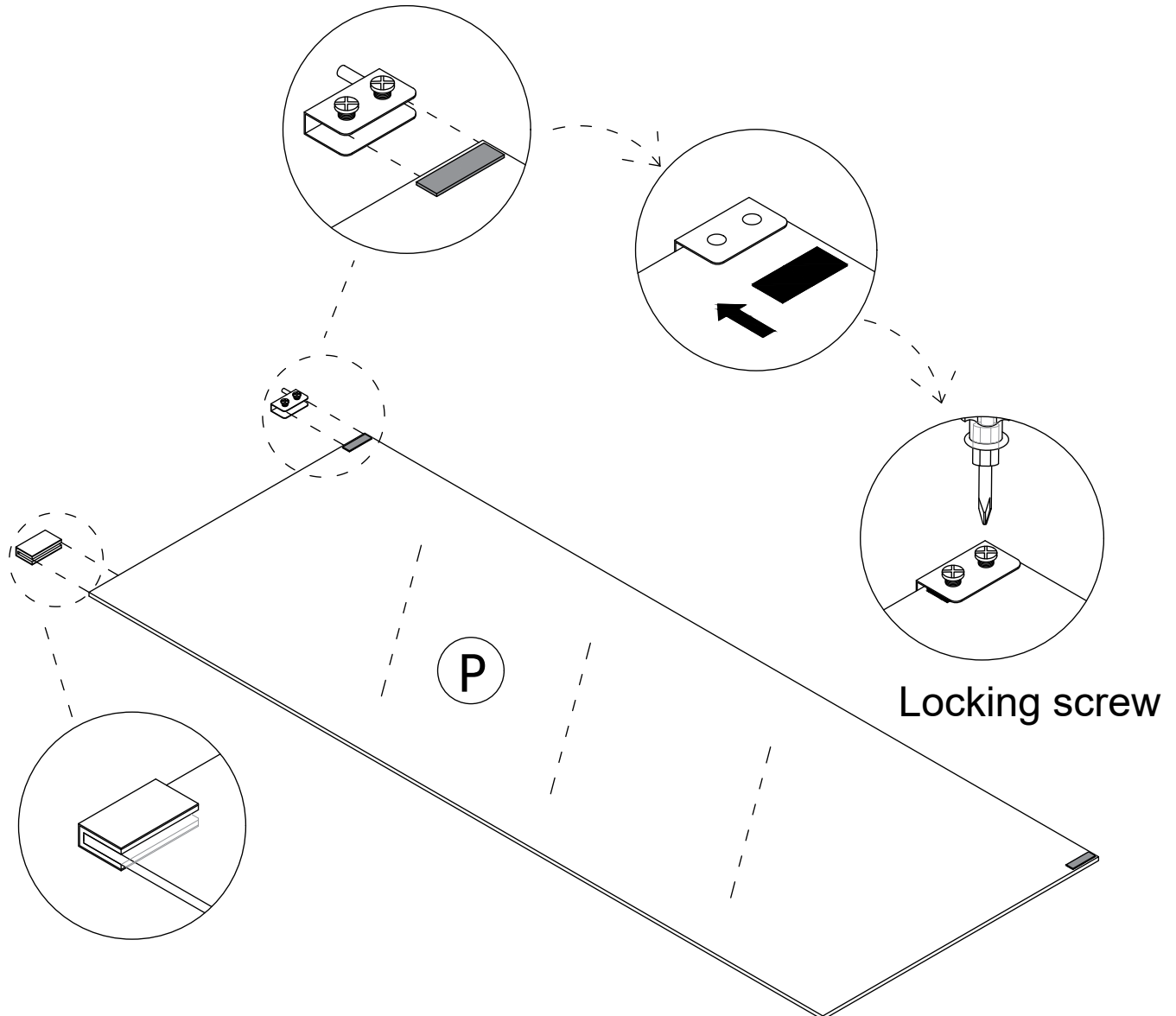
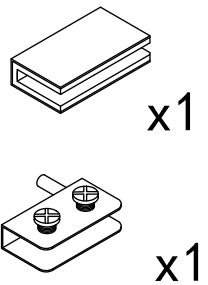
First, completely unscrew the screws on the parts



Then take out the black rubber pad from the inside of the part, and the white sponge remains unchanged inside the part.



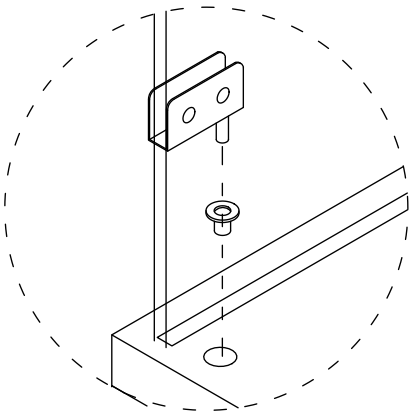
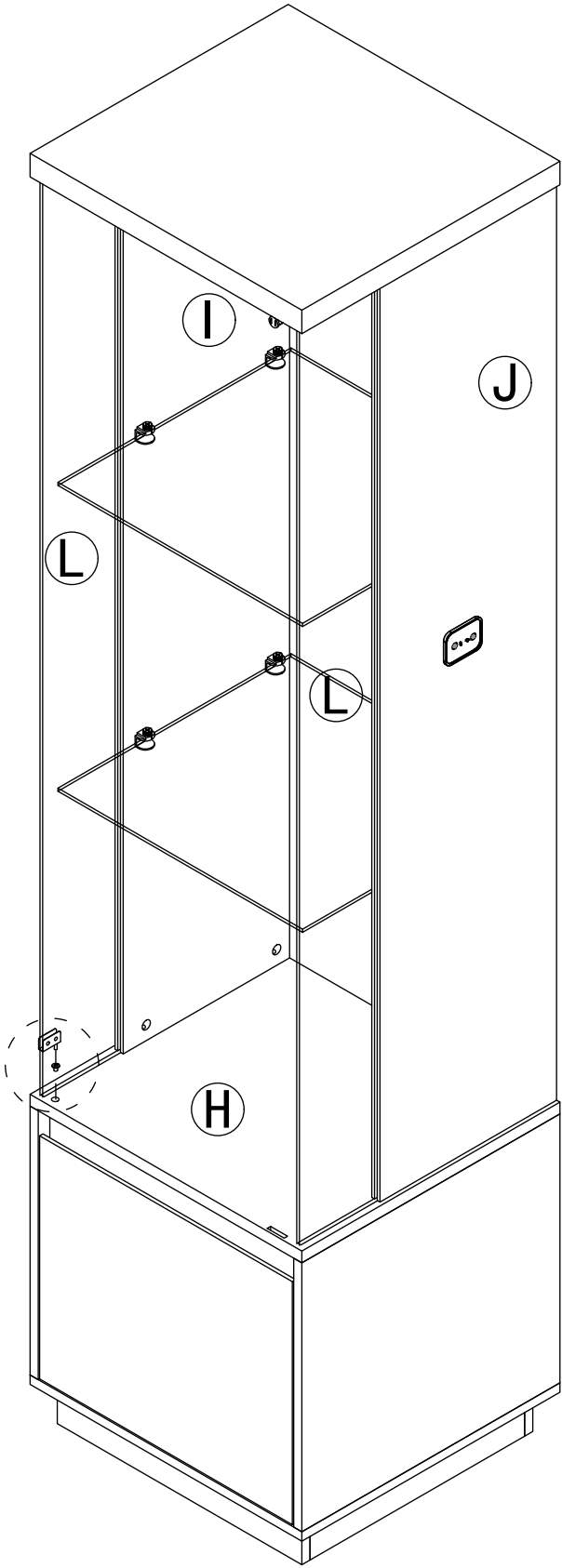
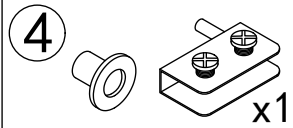
4



Pay attention to the direction of the door hinge, rotate the screws to compress the black gasket, and do not place it in the opposite direction

Place the black gasket on the side where the screws are installed

Step 32



4

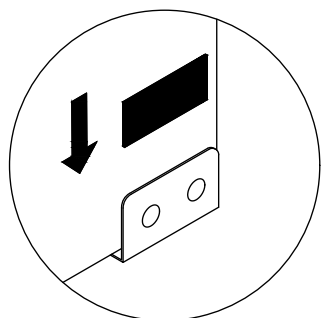
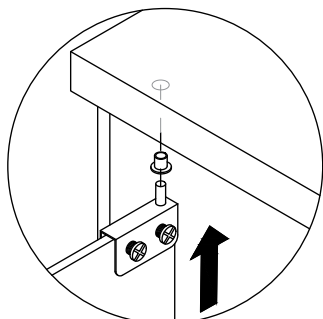


x1

Step 33

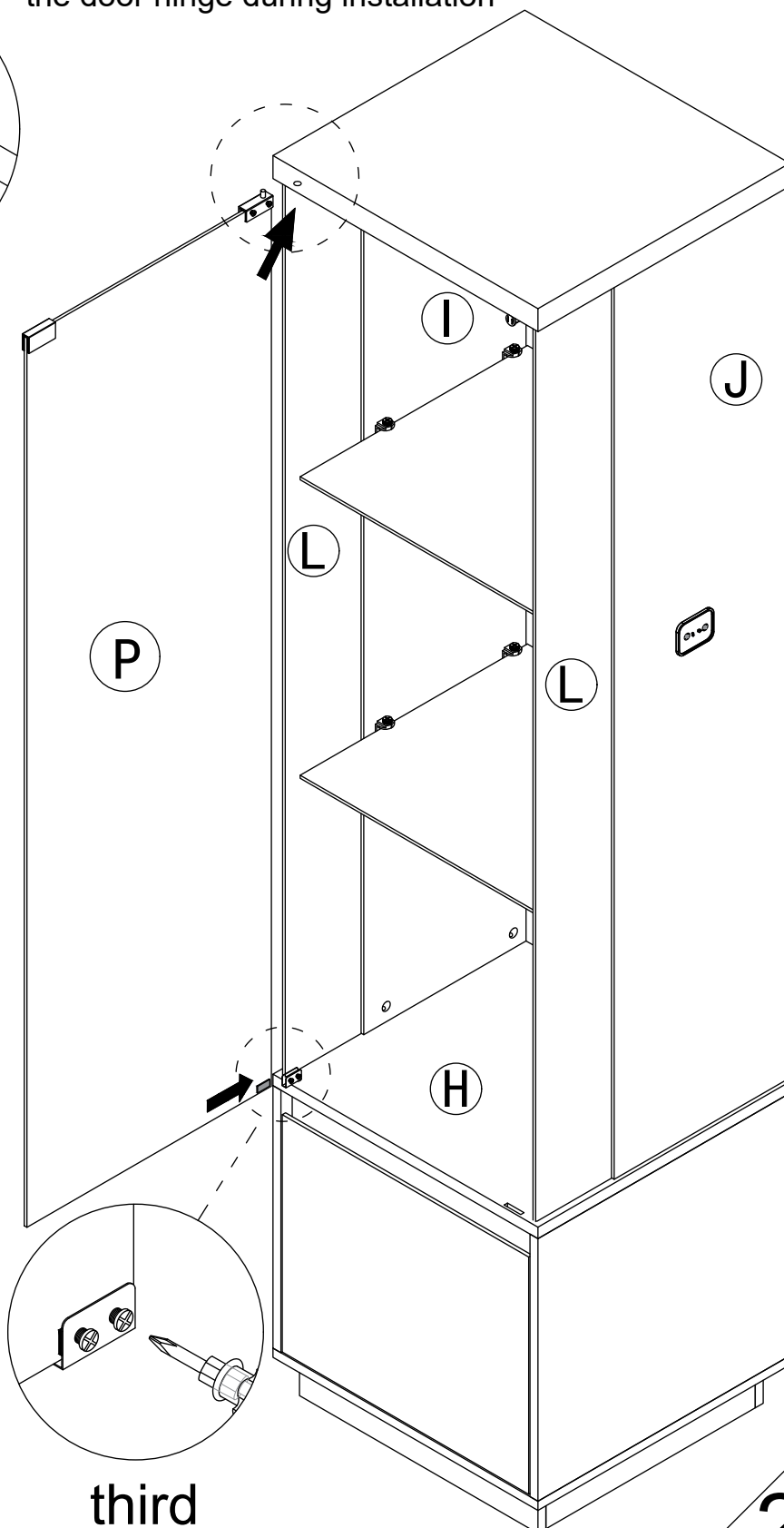
When installing a glass door, it is recommended to have two people install it to avoid the glass door colliding or hitting oneself.

Pay attention to the direction of the door hinge during installation



second

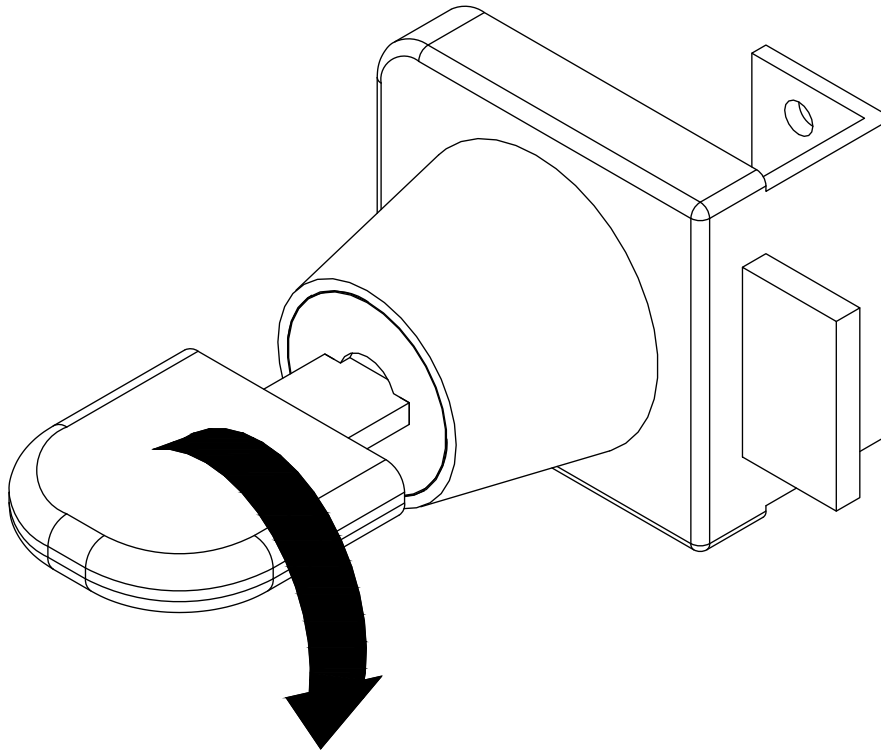
After installing the glass door, place the black gasket on the side where the screws are installed



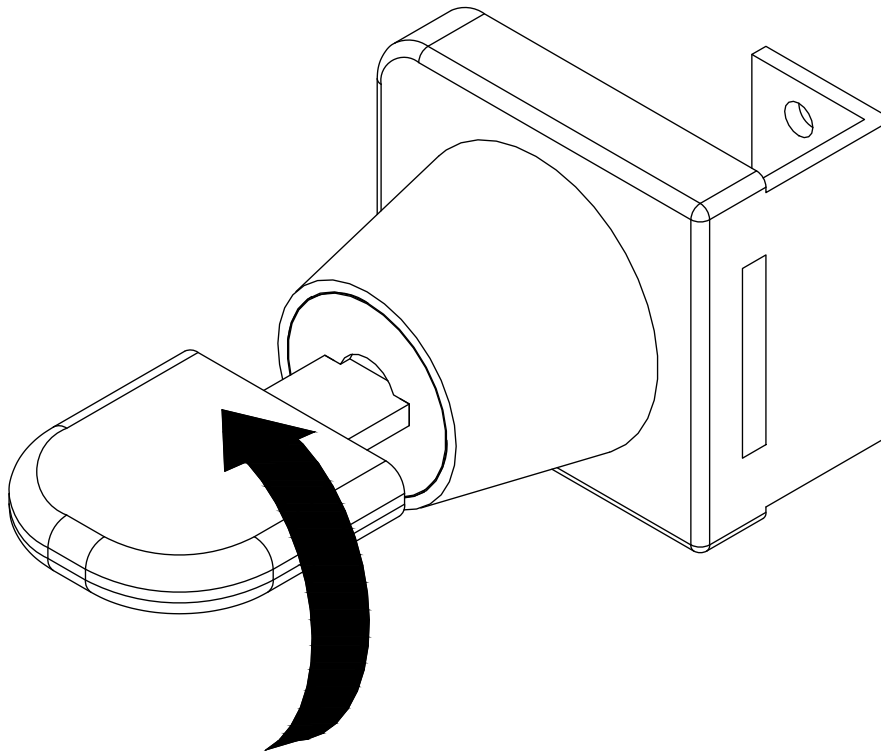
third

Locking screw

Tip: Turning the door lock to the right will close it



Tip: Turning the door lock to the left opens it



Step 34

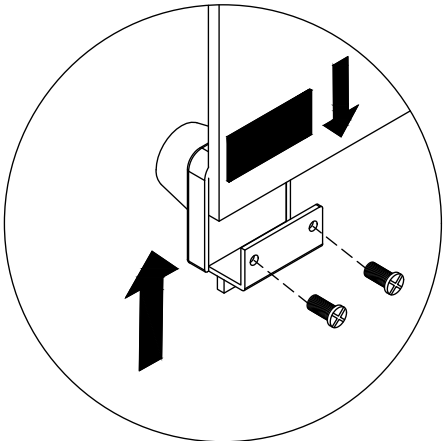
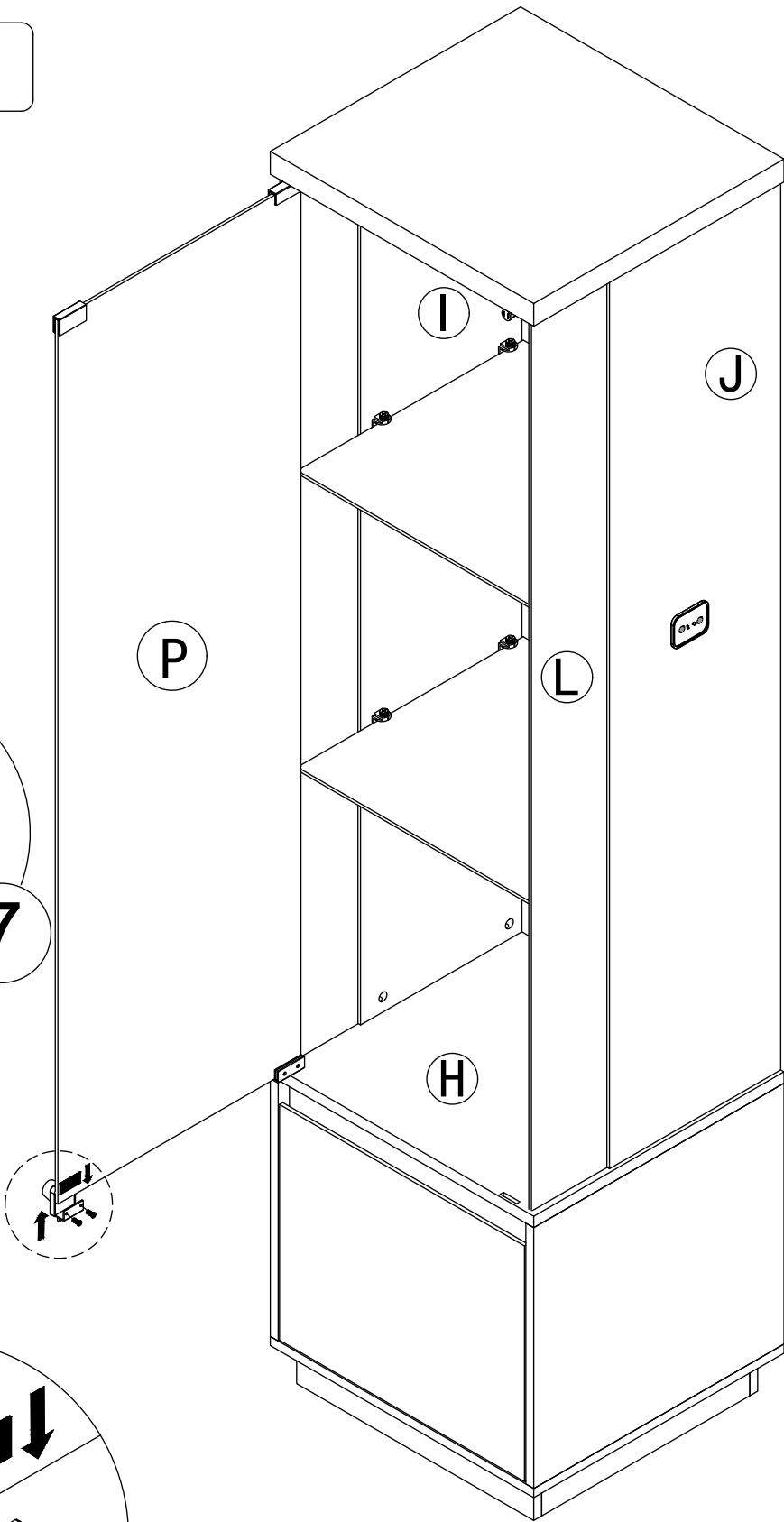
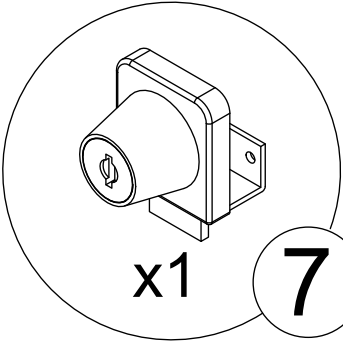
7



x1

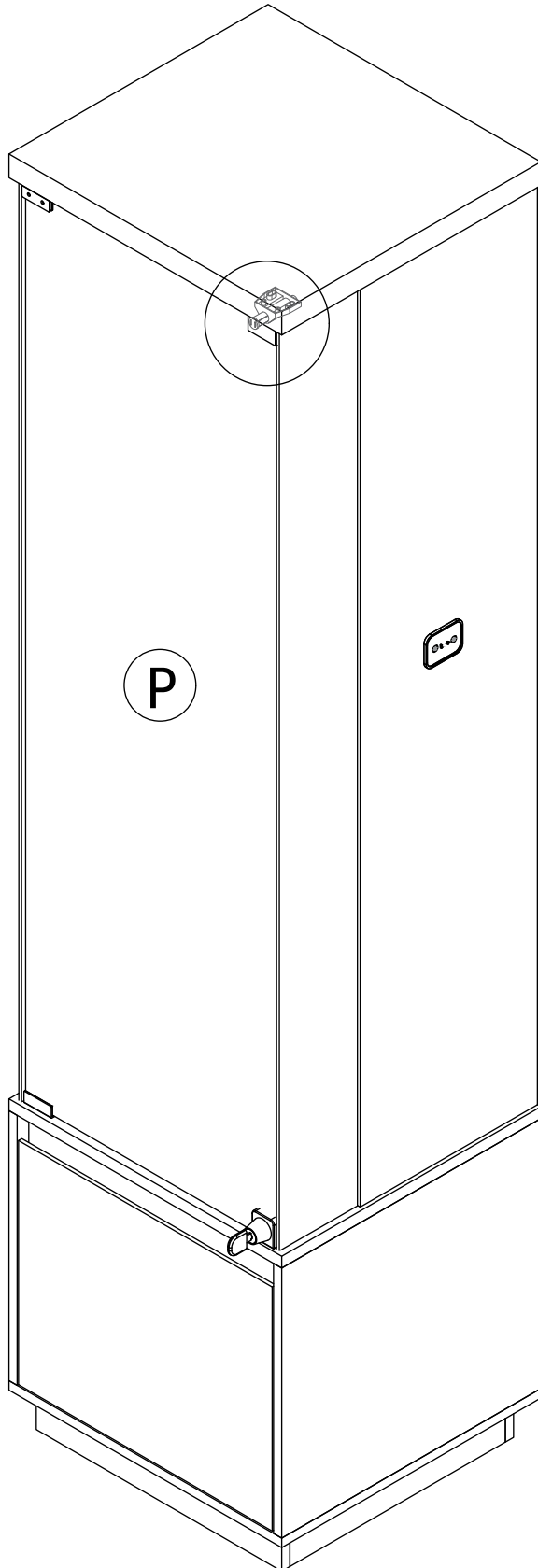


x2

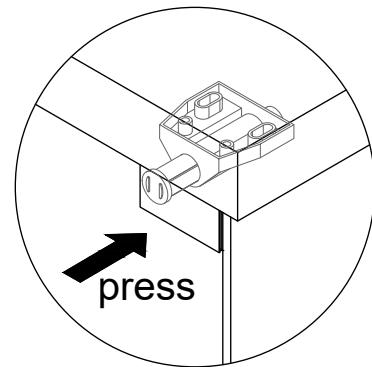


Step 35

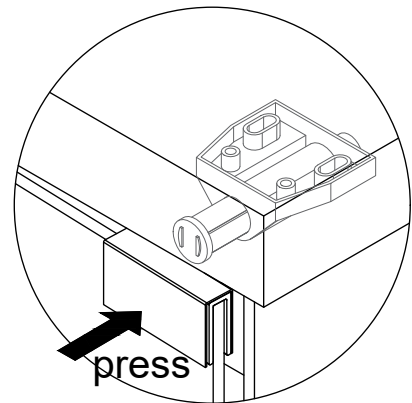
The rebound device automatically opens and closes by pressing



Open the glass door



Close the glass door



Step 36

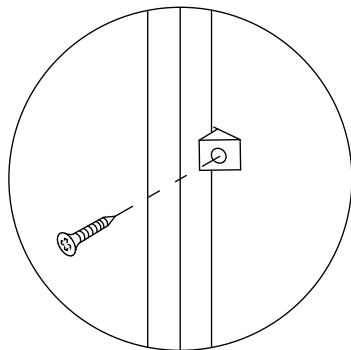
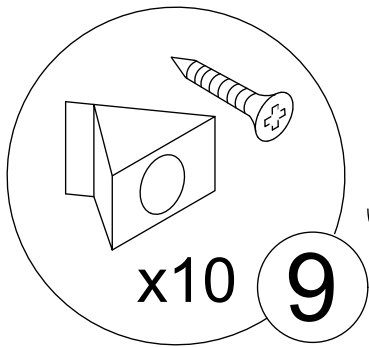
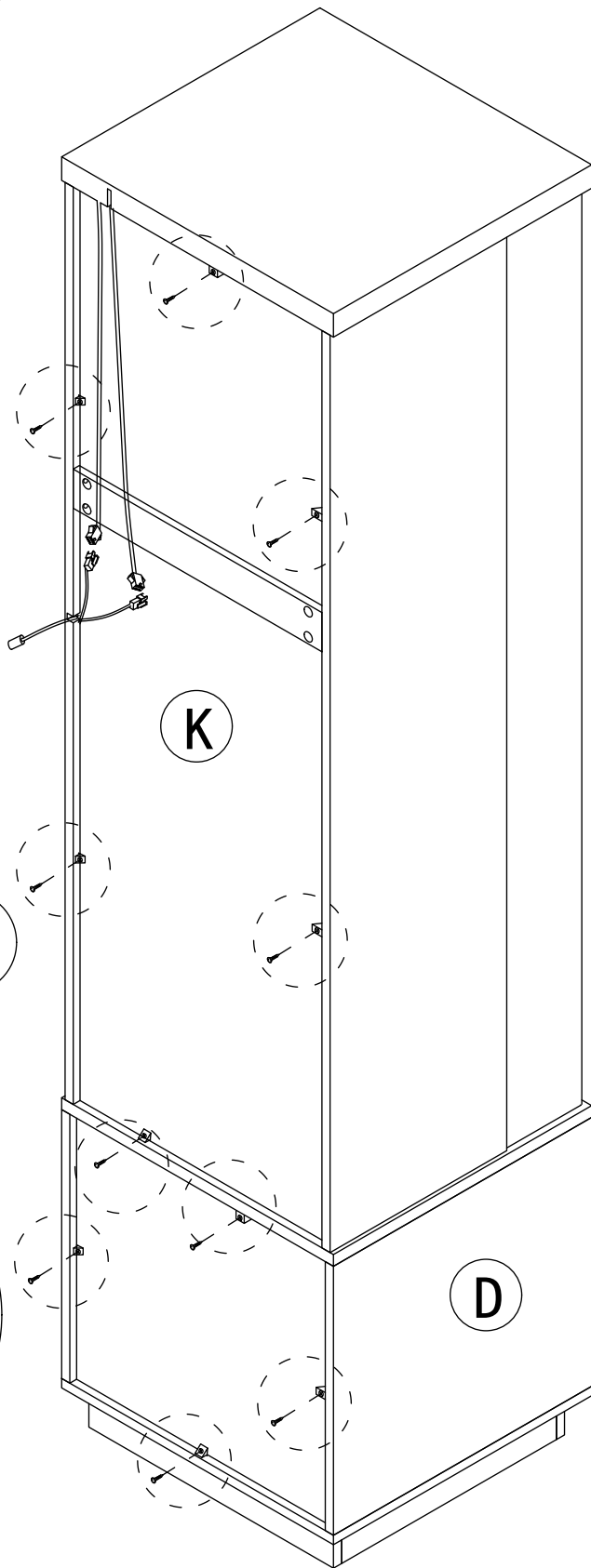
9



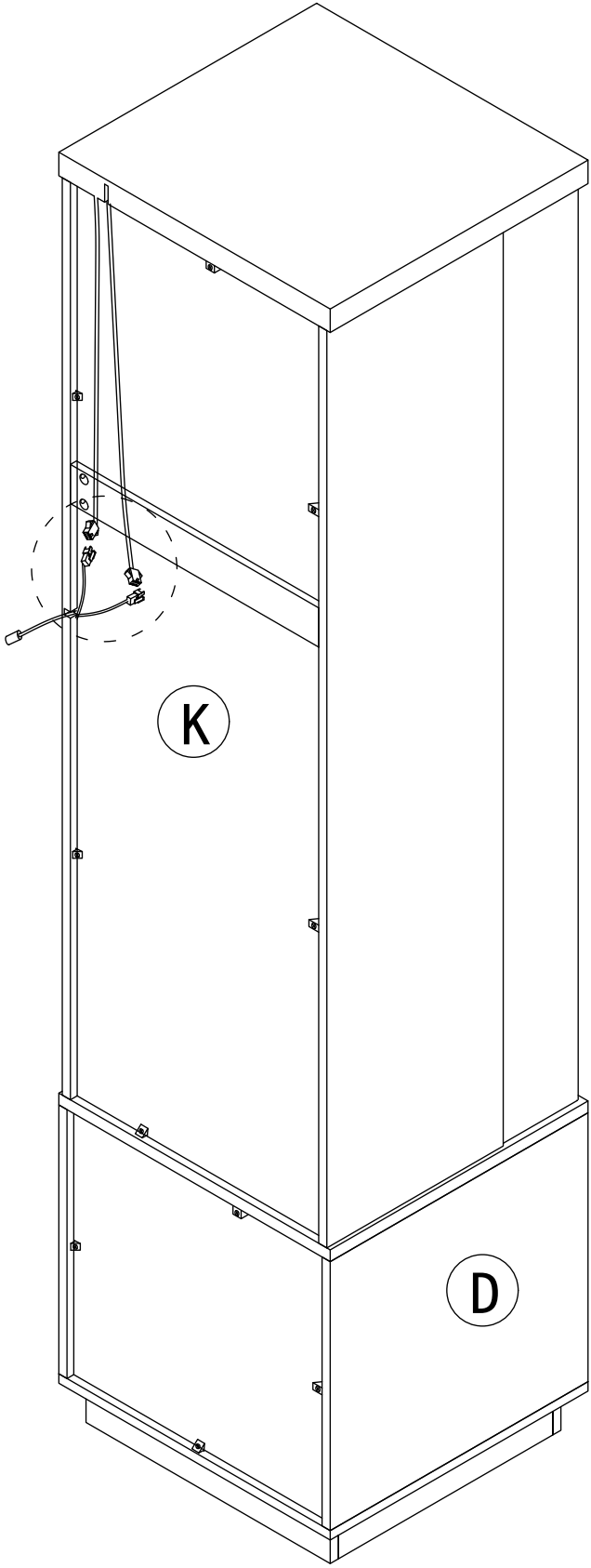
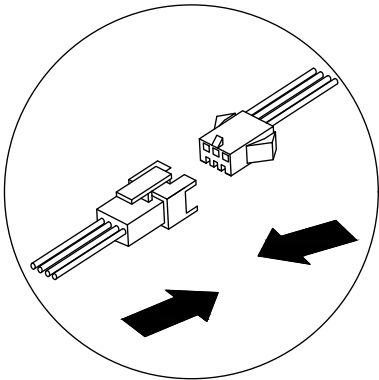
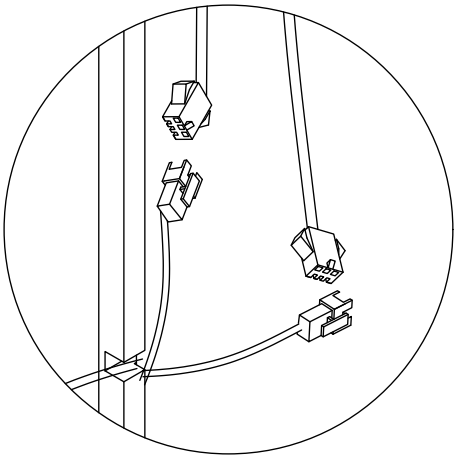
x10



x10

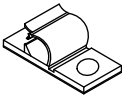


Step 37

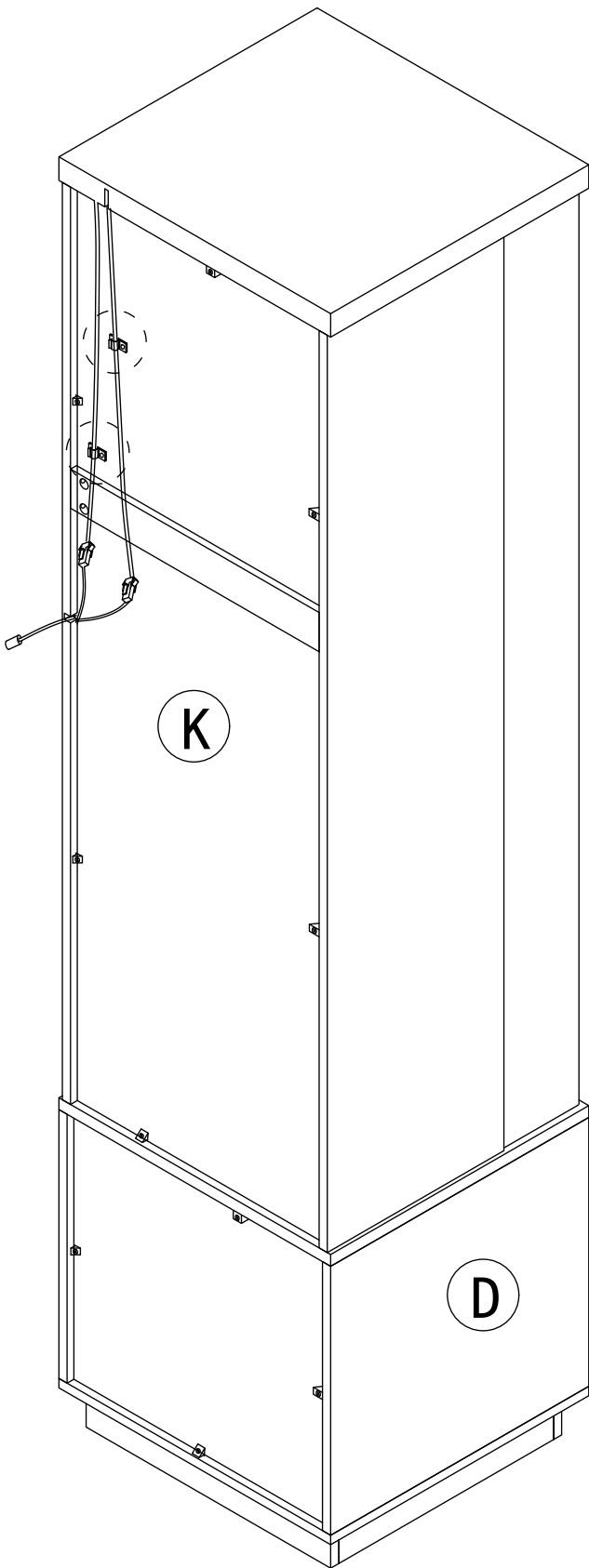
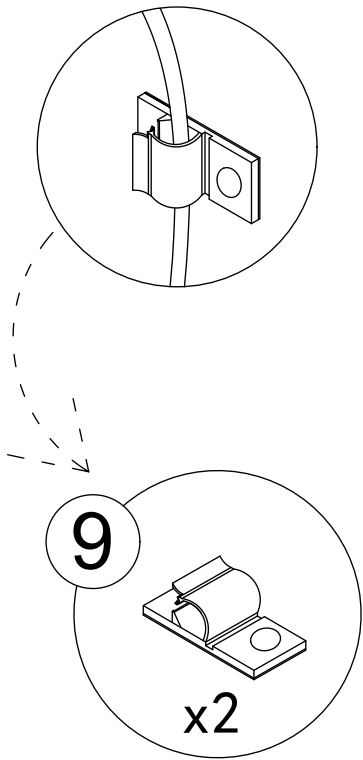


Step 38

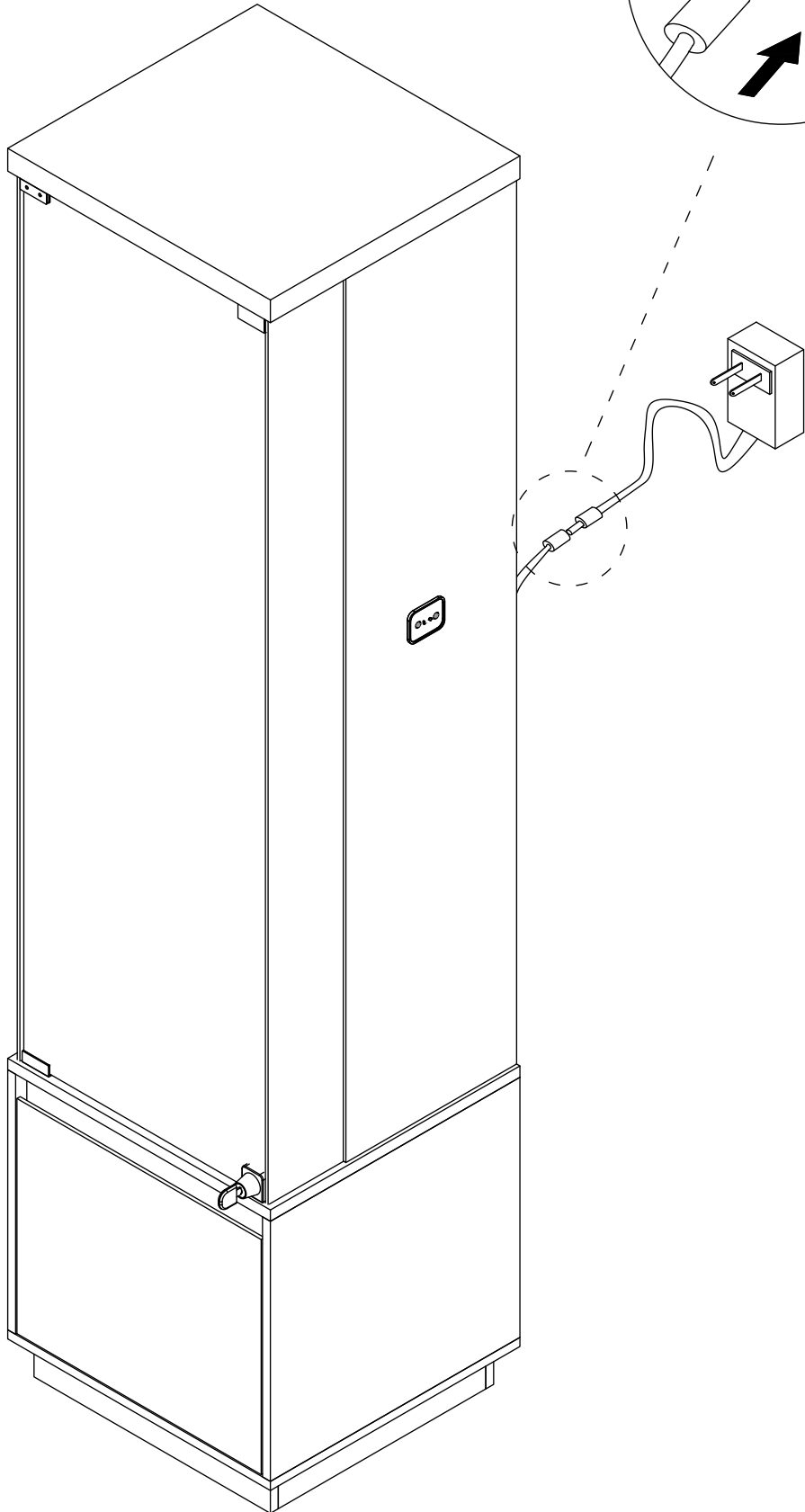
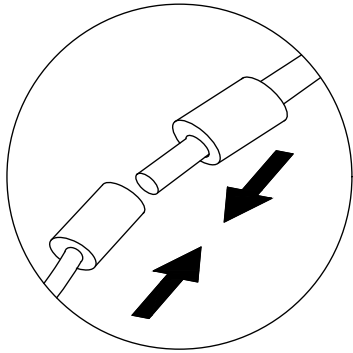
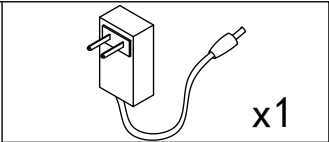
9



x2

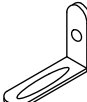
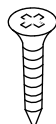



Step 39

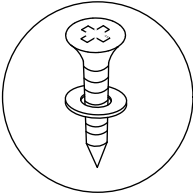


Step 40

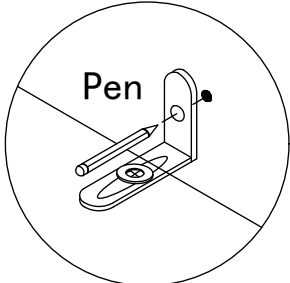
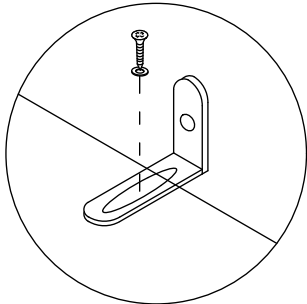
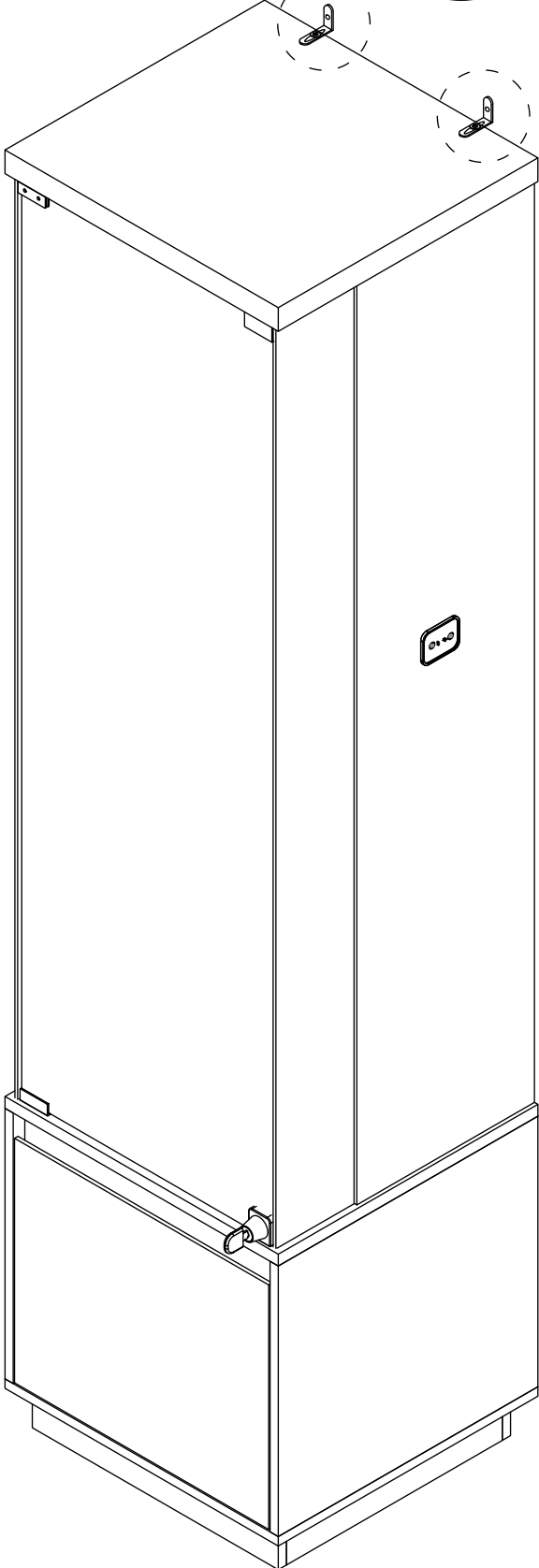
Install as required

- 11  x2  x2
 x2

3.5x14mm

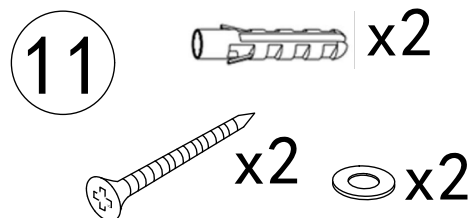
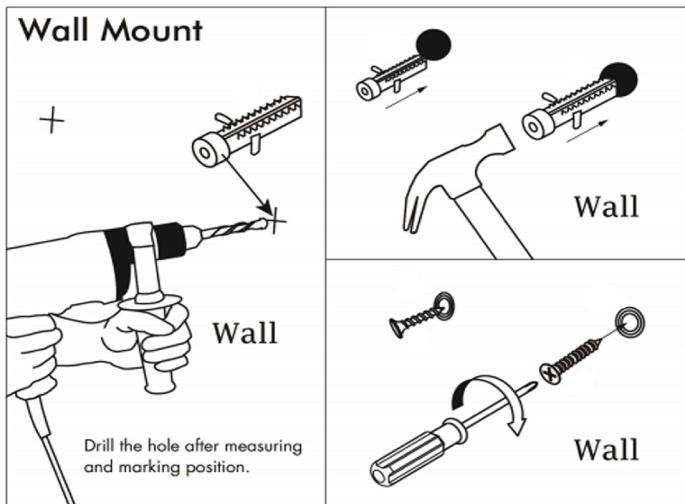


Install the anti fall hardware on the cabinet as shown in the picture first

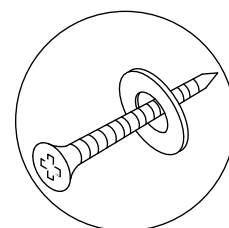
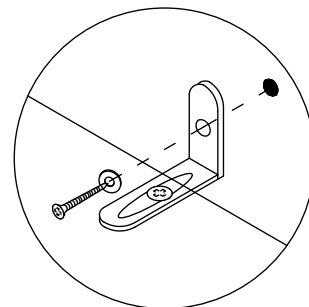
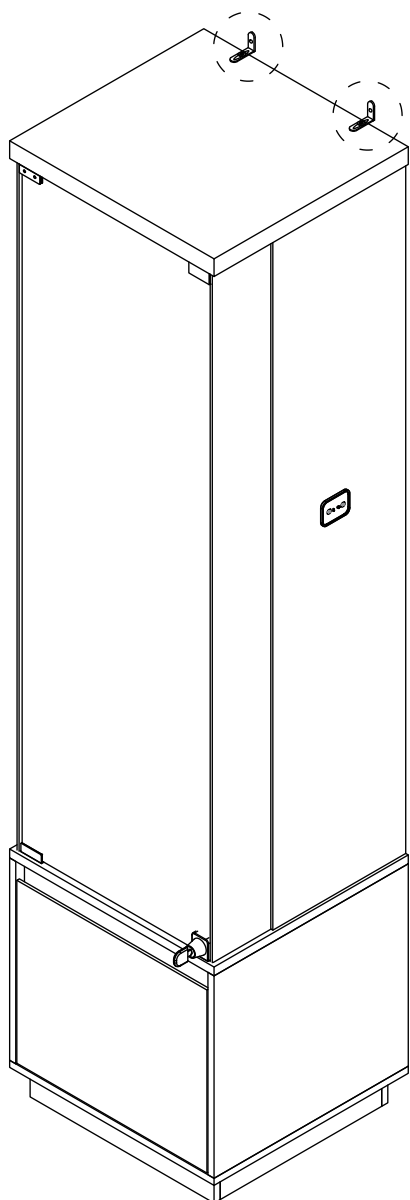


Then mark the wall with a pen through the holes in the anti-fall hardware

Step 41



Drill the hole with an electric drill and punch in the colloidal particles



4x45mm

Fix the dressing table to the wall

User's Guide

Thank you for purchasing this product. To use this product, please plug it into a 12V DC power supply. Please use if the product works normally after connecting to power.

Introduction

The box is an intelligent controller with 2 touch buttons. It can turn ON/OFF the light, change light colors, and adjust the light luminance.

Product Show



ATTENTION PLEASE

1. If there is no touch response suddenly, Re-plug the power to reset the touch static electricity.
2. If bubbles appear on the panel, remove the protective film.

Operation



This touch button is used to turn on/off, change colors, and adjust brightness.

A. Short touch -> lighting on -> short touch -> change light color -> short touch -> change light color -> short touch -> lighting off. B. Long touch -> adjust the luminance



This touch button is used to turn on/off the induction function.

A. Short touch to turn on the induction function. It can auto-turn on the light when people are close to the controller in 1 meters. It can auto power off the light when the body is far away from the controller after 30 seconds.

B. Long touch to turn off the induction function.

C. Note: When you touch the light button to change the light modes, the induction function will automatically turn off. It is best to turn on this function after selecting the light color and adjusting the brightness you want.