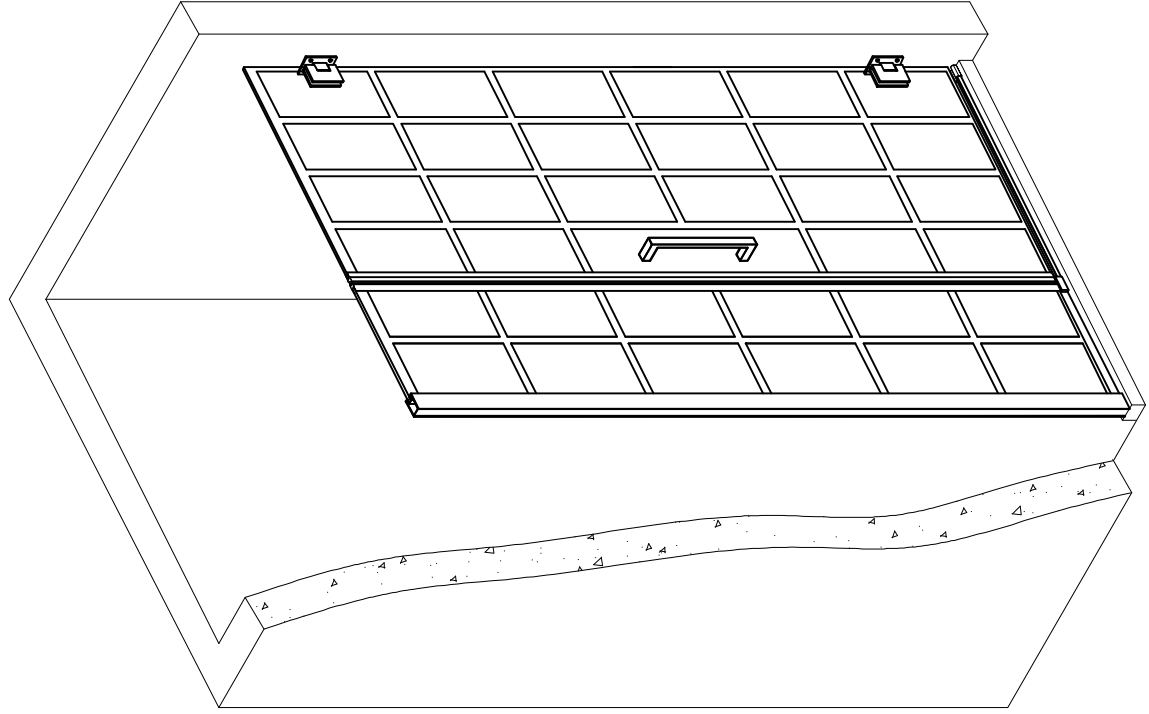
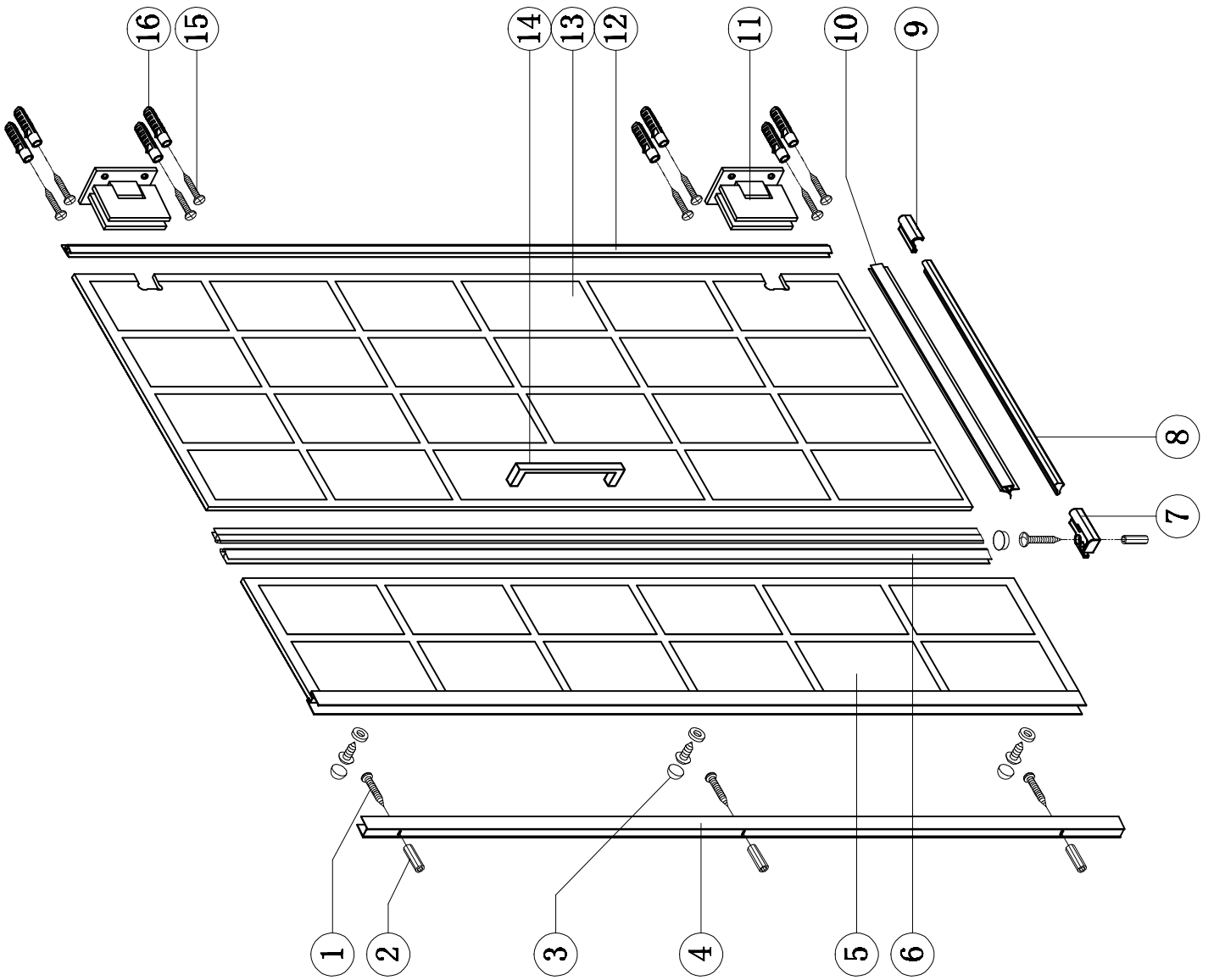


# BRJ6B21 INSTALLATION MANUAL





1

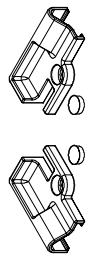
ST4x30



4Pcs

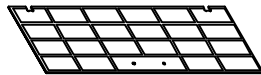
7

L R



1Pair

13



1Pc

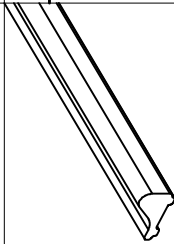
2

Ø6x30



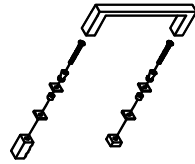
4Pcs

8



1Pc

14



1Pc

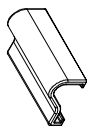
3

ST4x12



3Pairs

9



1Pc

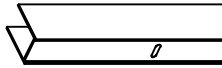
15

ST5\*35



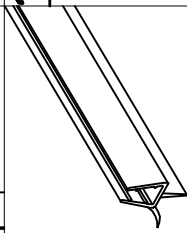
8Pcs

4



1Pc

10



1Pc

16

Ø8x35



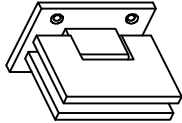
8Pcs

5



1Pc

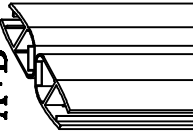
11



2Pcs

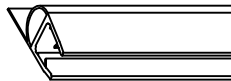
6

A+B



1Pc

12



1Pc

1825mm

1Pc

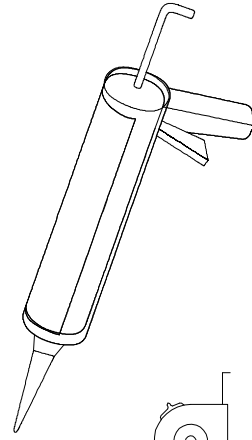
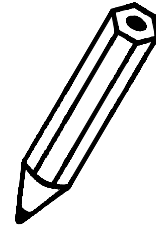
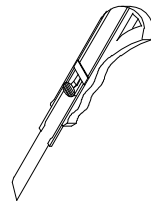
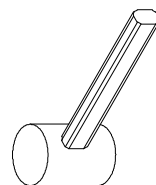
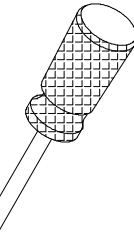
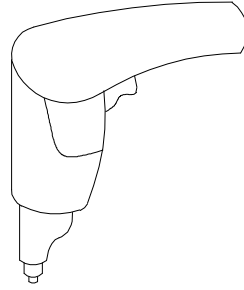
# Tools:



Ø8mm

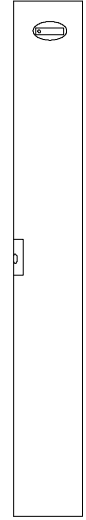
Ø6mm

Ø3.2mm

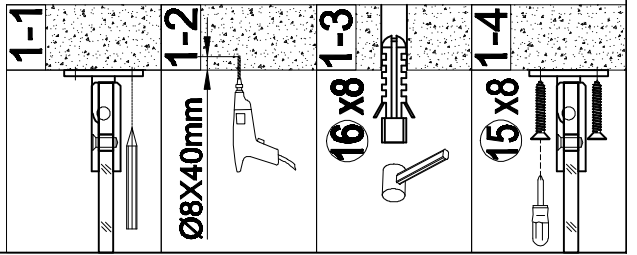
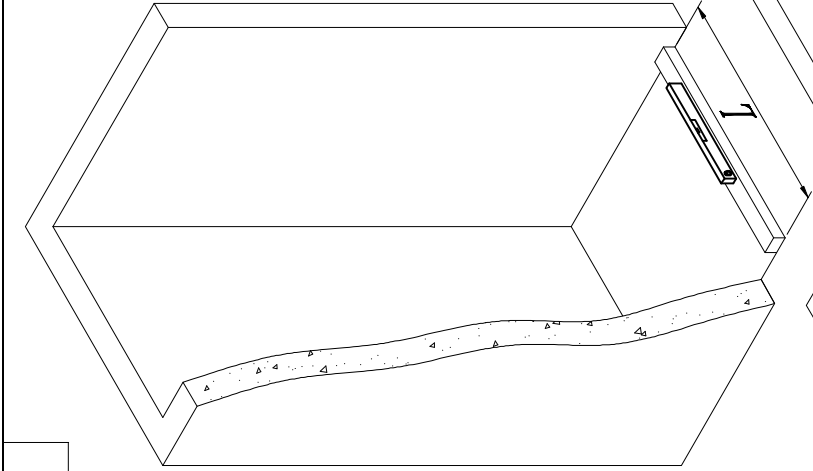


4 mm

2 mm 2.5mm

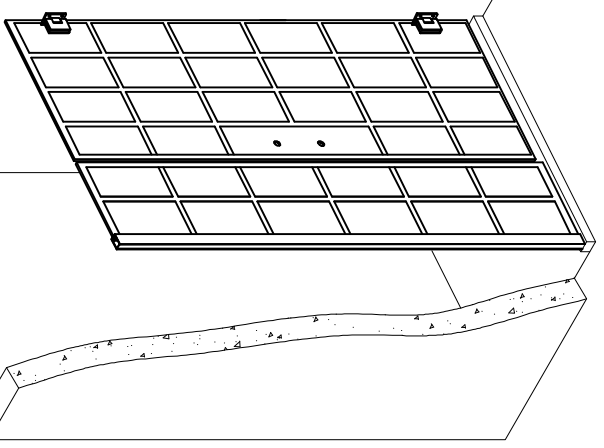
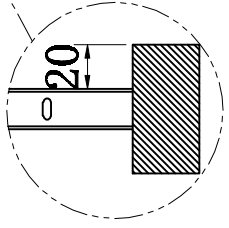
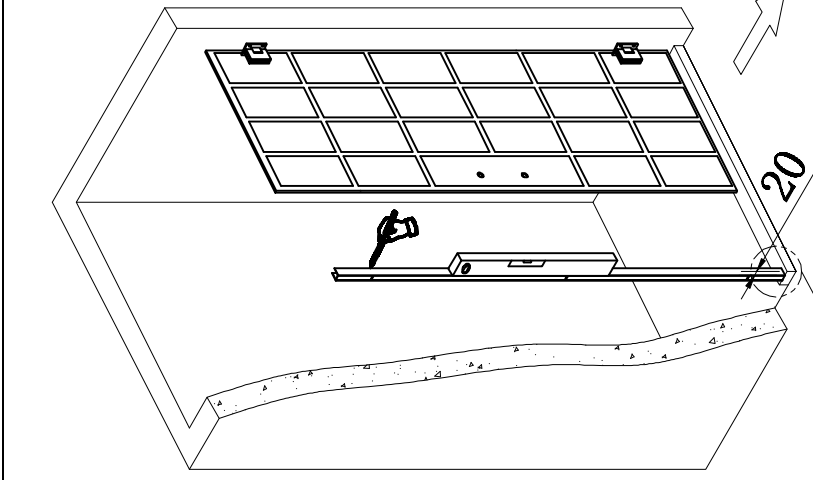
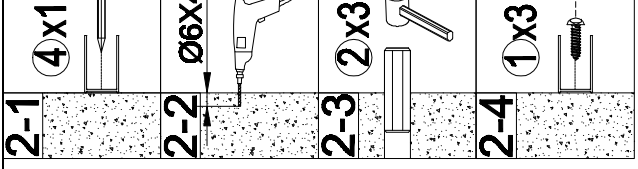
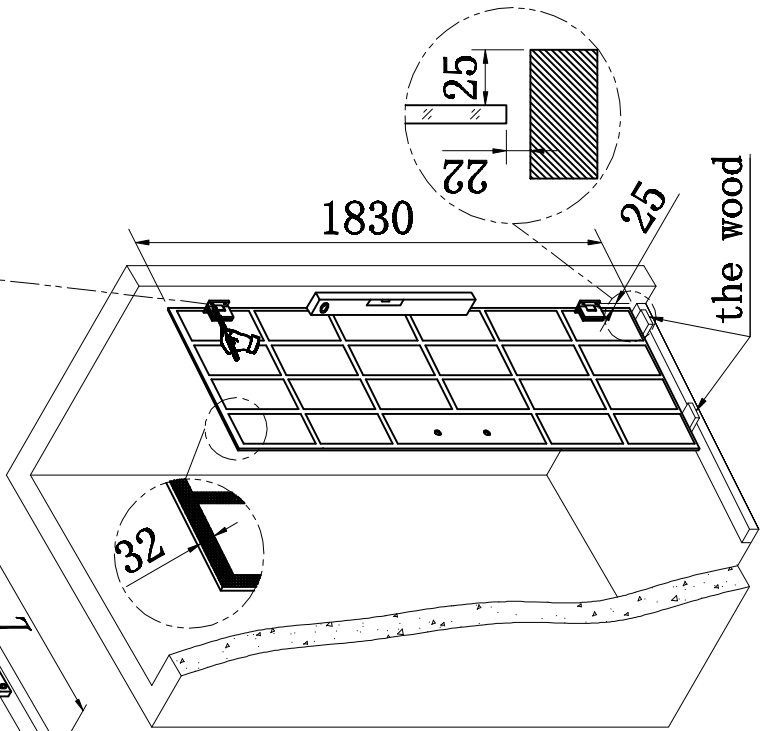
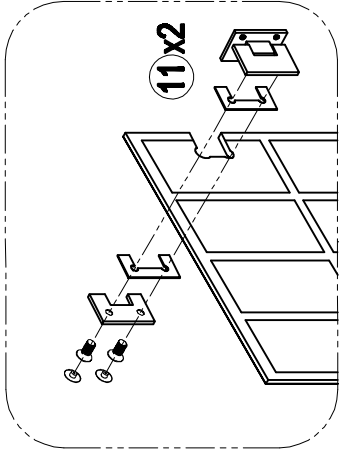


1

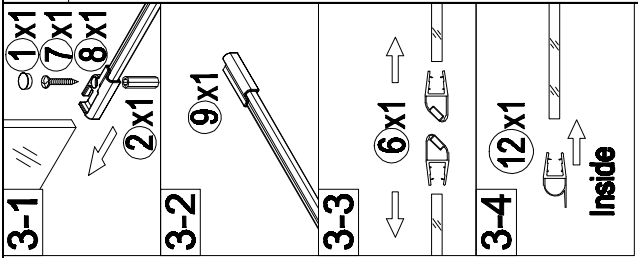
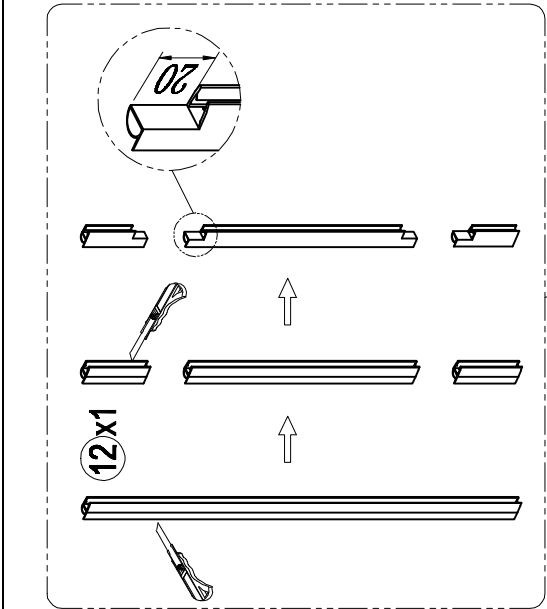


2

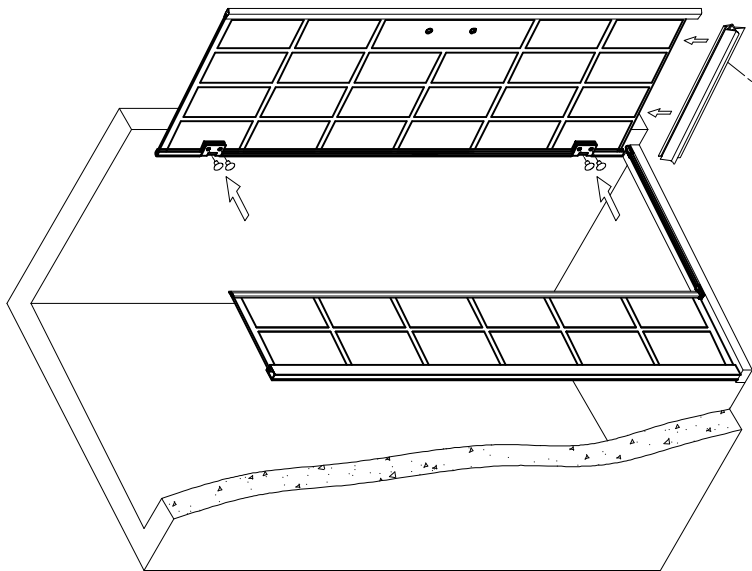
	L	
865	845 - 865	
1016	996 - 1016	



3

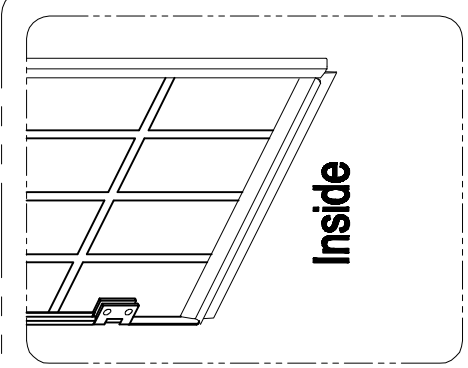
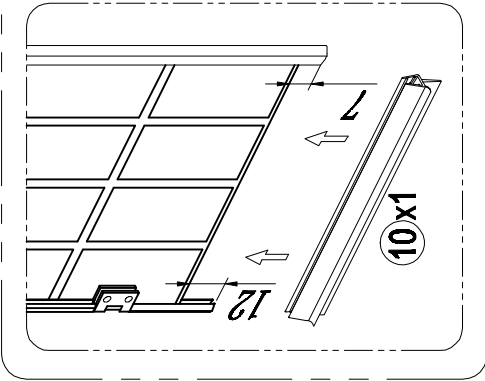
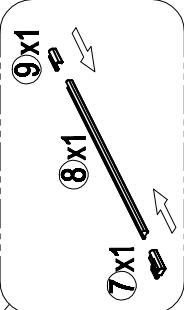
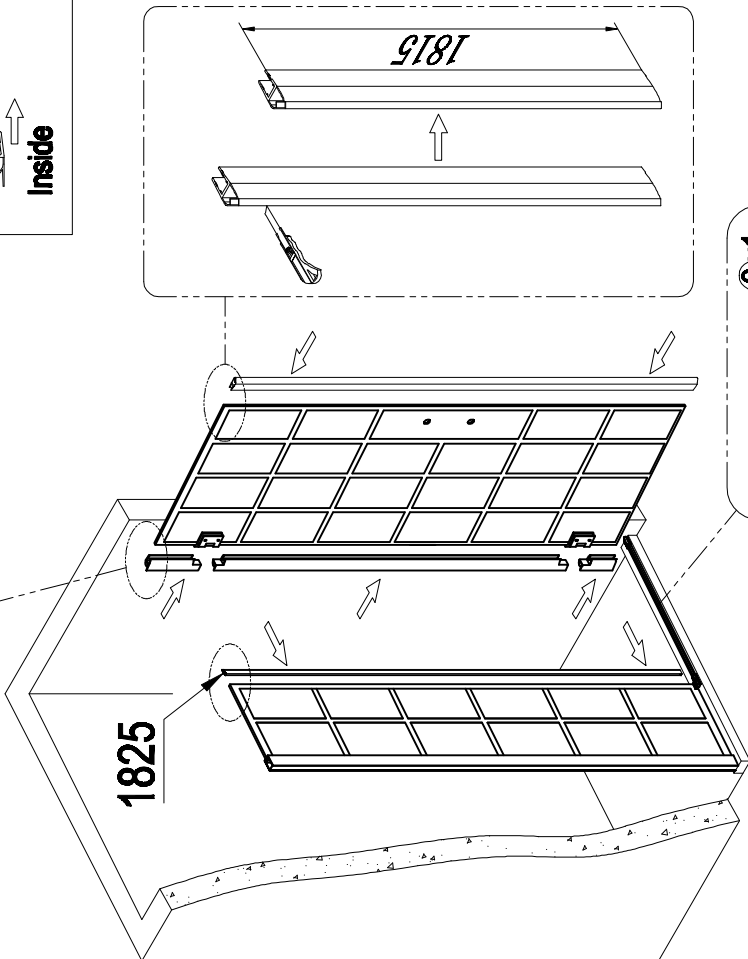


4

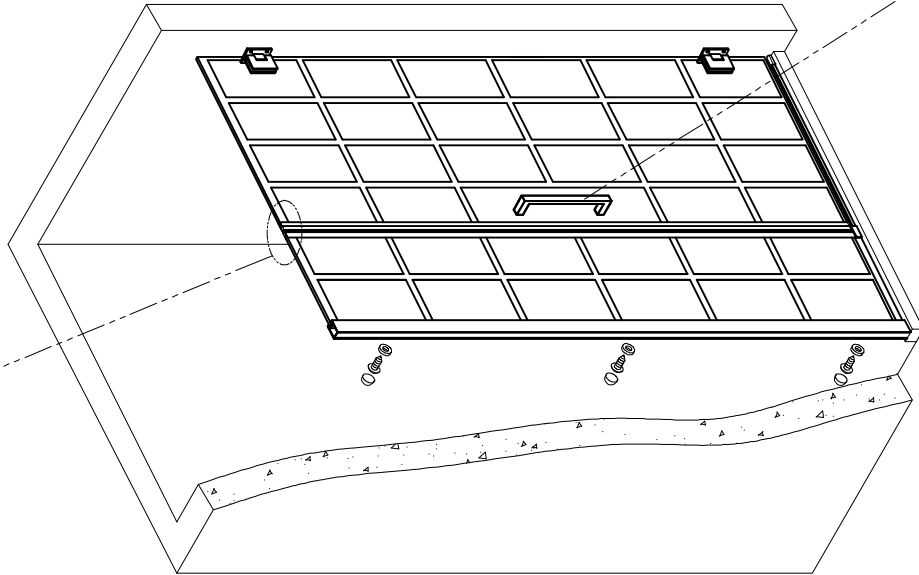
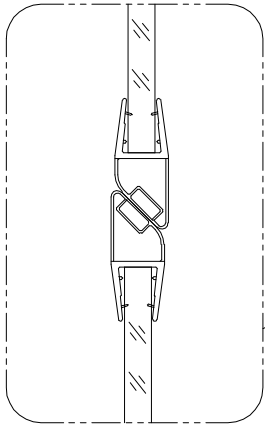


IT IS VERY IMPORTANT TO HAVE THE BOTTOM OF THE GLASS PANEL TO THE TRAY TOP F. IT MUST HAVE A 22mm GAP ALL THE WAY

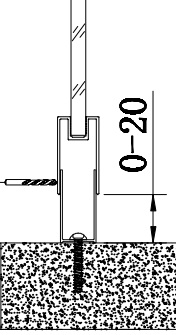
1825



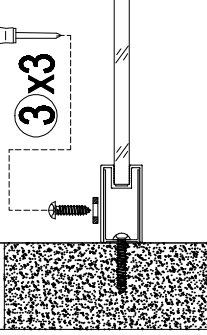
5



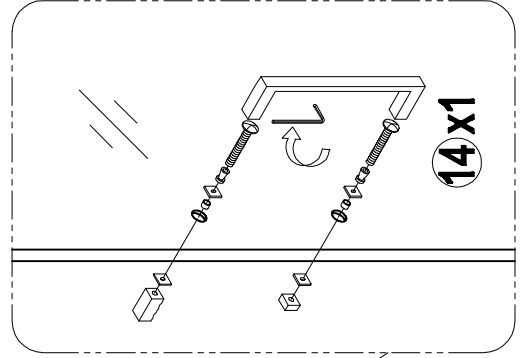
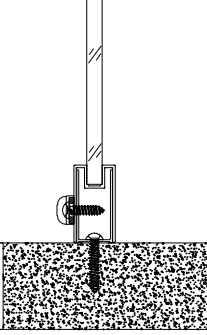
5-1



5-2



5-3



6

**Care Instructions:**

Do not use your shower enclosure within 24 hours of assembly .  
 Do not use caustic cleaning products or abrasive material when cleaning your shower enclosure.

