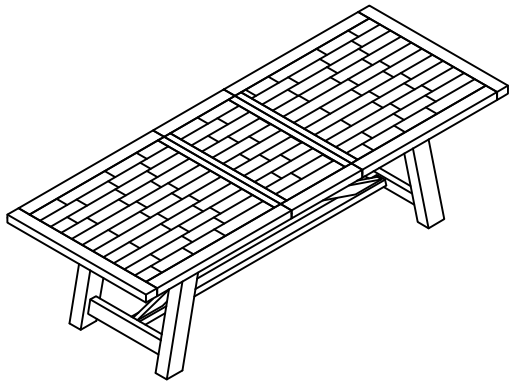
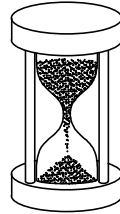


**DINING TABLE**  
is packed in 2 cartons



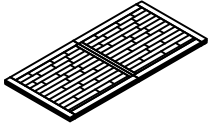








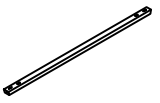


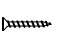

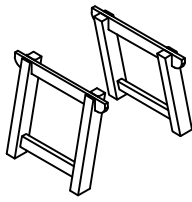
**ASSEMBLY INSTRUCTIONS**



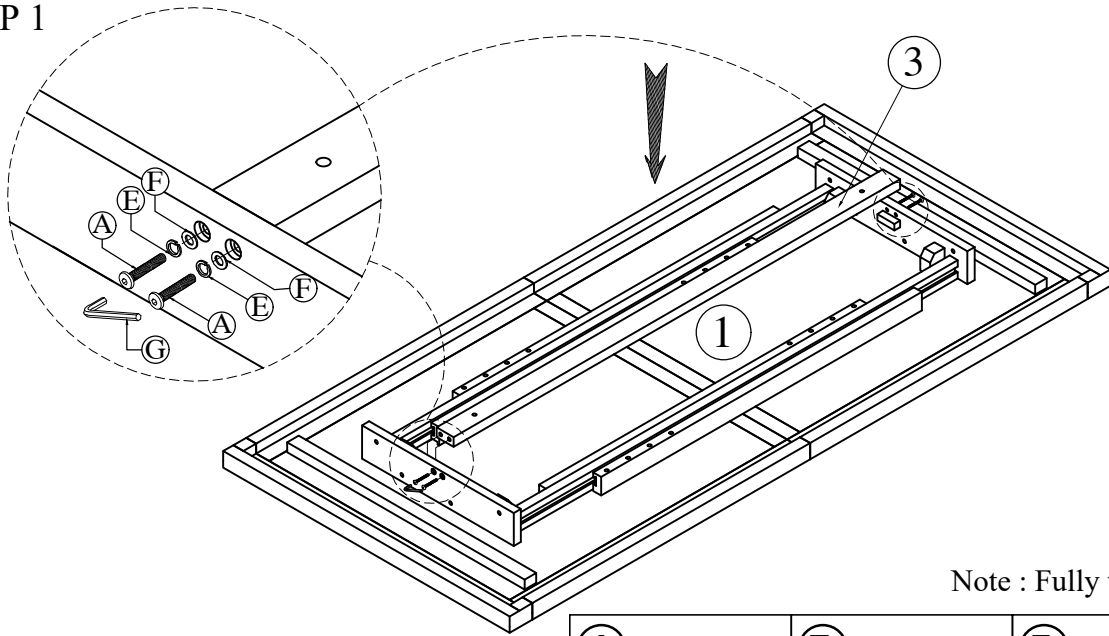
**15 MIN**






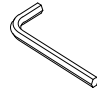
**x 2**

CARTON	ITEM	PART		HARDWARE		
1	1468-22T	①	TABLE TOP x 1 PC		Ⓐ	M6 x 50 mm: <b>10 pcs</b> 
					Ⓑ	M8 x 50 mm: <b>8 pcs</b> 
		②	EXTENSION LEAF x 1PC		Ⓒ	Ø8 x Ø13 x 1.2: <b>8 pcs</b> 
					Ⓓ	Ø8 x Ø19 x 2: <b>8 pcs</b> 
		③	UPPER SUPPORT RAIL x 1PC		Ⓔ	Ø6 x Ø13 x 1.2: <b>10 pcs</b> 
					Ⓕ	Ø6 x Ø19 x 2: <b>10 pcs</b> 
④	LOWER SUPPORT RAIL x 1PC		Ⓖ	4mm x 50: <b>1 pc</b> 		
			Ⓗ	13mm : <b>1 pc</b> 		
			Ⓘ	4mm x 50mm : <b>2 pcs</b> 		
⑤	X-SHAPED SUPPORT x 2PCS					
2	1468-22L	⑥	LEGS x 2 PCS			

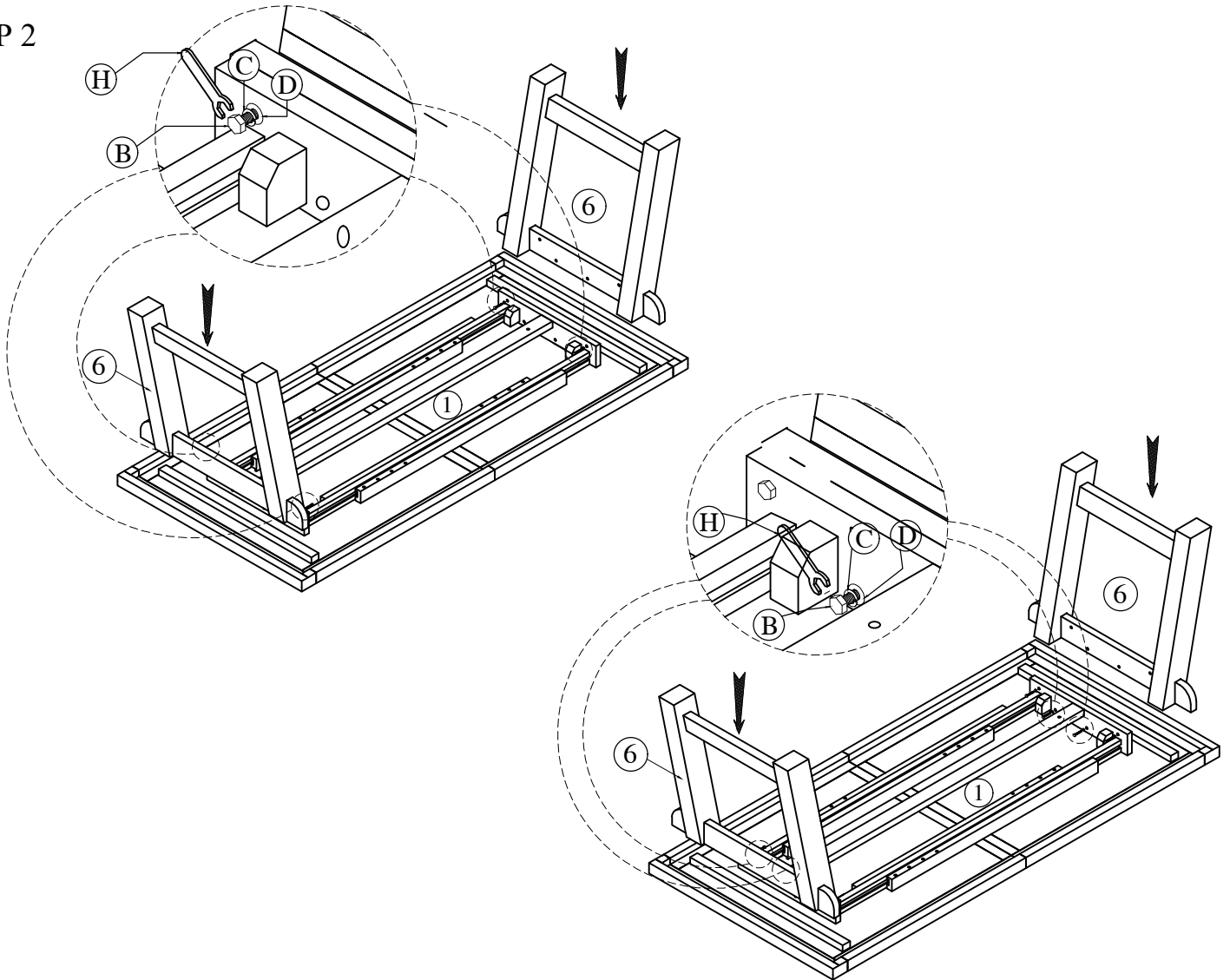
# STEP 1







Note : Fully tighten the bolts in this step.

<p><b>A</b></p>  <p>M6 x 50 mm: 4 pcs</p>	<p><b>E</b></p>  <p>Ø6 x Ø13 x 1.2: 4 pcs</p>	<p><b>F</b></p>  <p>Ø6 x Ø19 x 2: 4 pcs</p>	<p><b>G</b></p>  <p>4mm x 50: 1 pc</p>
--	---	--	---

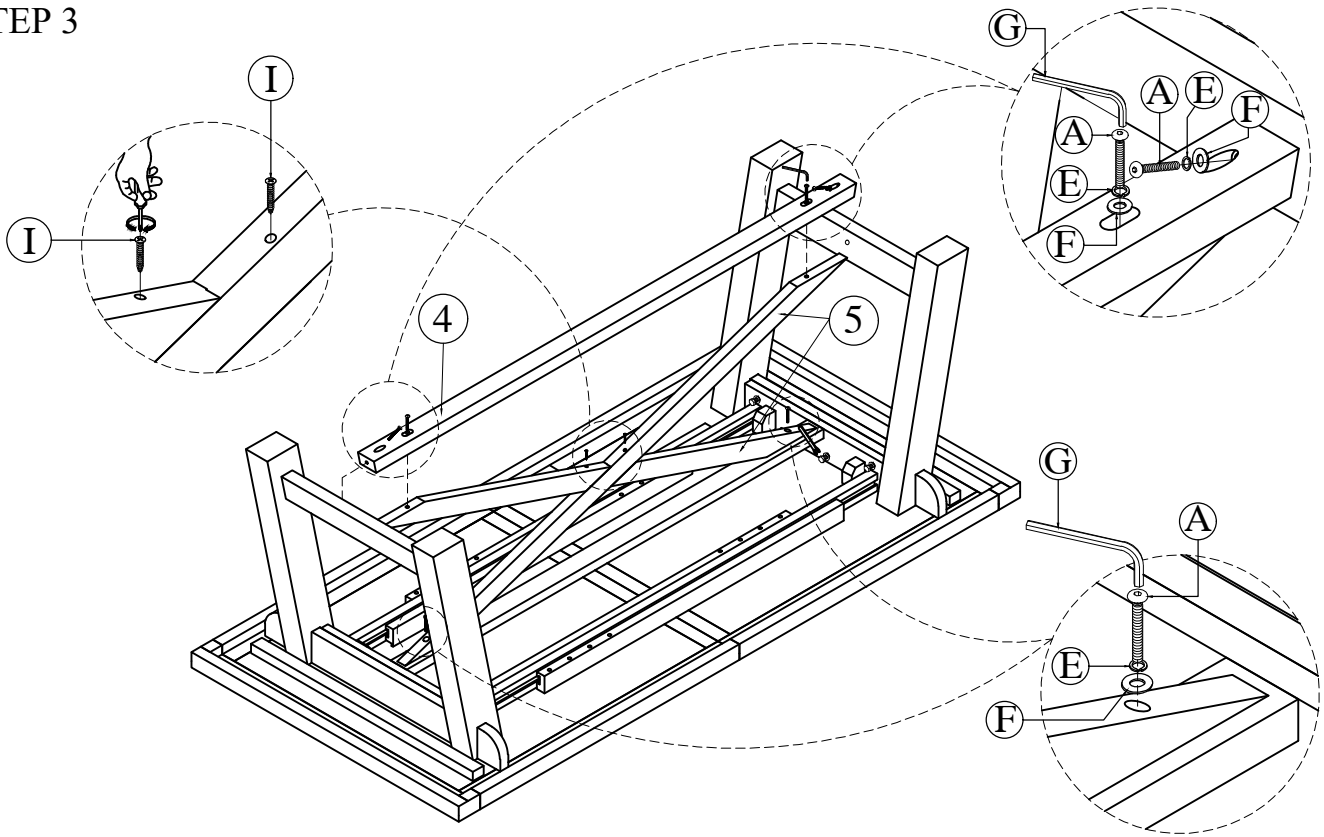
# STEP 2




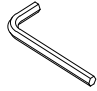
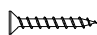
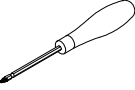


Note : DO NOT fully tighten screws and bolts until the entire item is completely assembled.

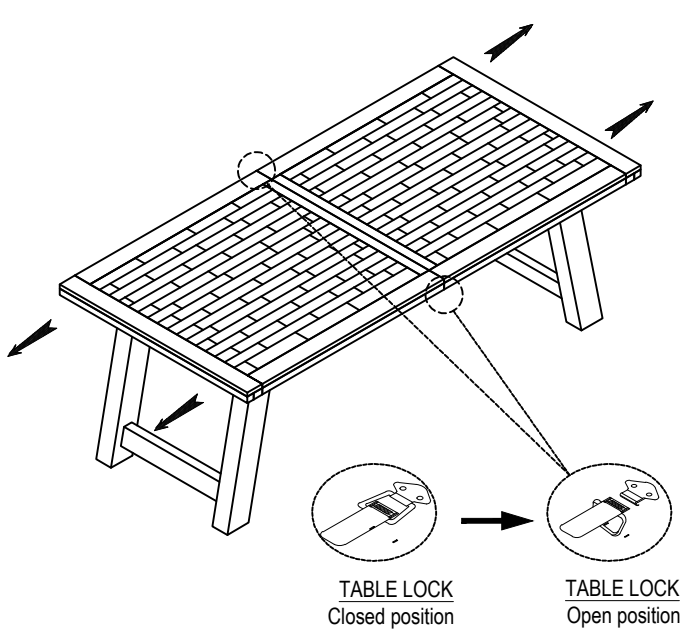
<p><b>B</b></p>  <p>M8 x 50 mm: 8 pcs</p>	<p><b>C</b></p>  <p>Ø8 x Ø13 x 1.2: 8 pcs</p>	<p><b>D</b></p>  <p>Ø8 x Ø19 x 2: 8 pcs</p>	<p><b>H</b></p>  <p>13mm : 1 pc</p>
--	---	--	--

### STEP 3

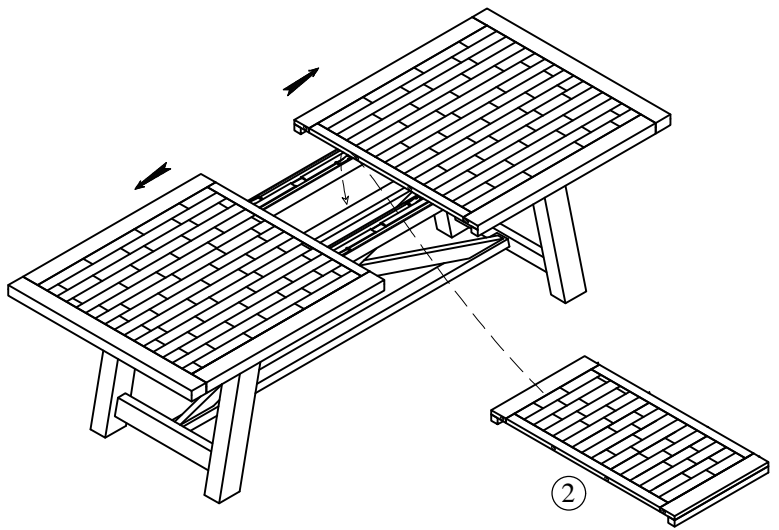


<p><b>A</b></p>  <p>M6 x 50 mm: 6 pcs</p>	<p><b>E</b></p>  <p>Ø6 x Ø13 x 1.2: 6 pcs</p>	<p><b>F</b></p>  <p>Ø6 x Ø19 x 2: 6 pcs</p>	<p><b>G</b></p>  <p>4mm x 50: 1 pc</p>	<p><b>I</b></p>  <p>Ø4 x 50mm : 2 pcs</p>	<p>Not provided</p>  <p>Screw driver</p>
--	--	--	---	--	--

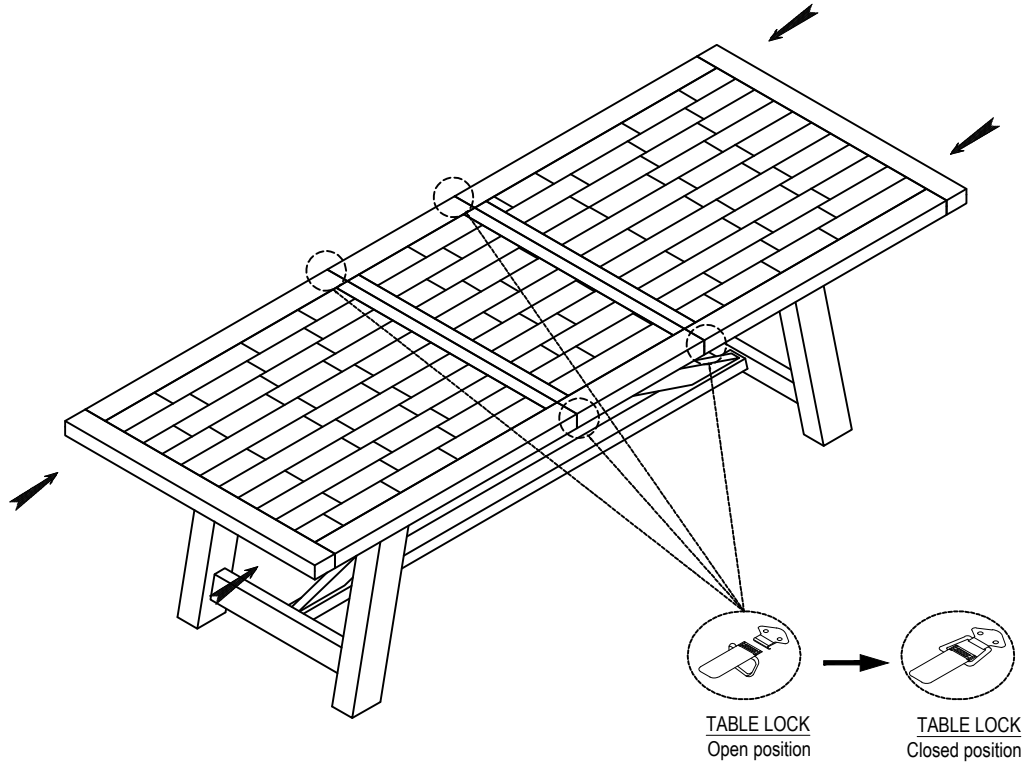
### STEP 4



### STEP 5



STEP 6



**ASSEMBLY IS COMPLETE**

