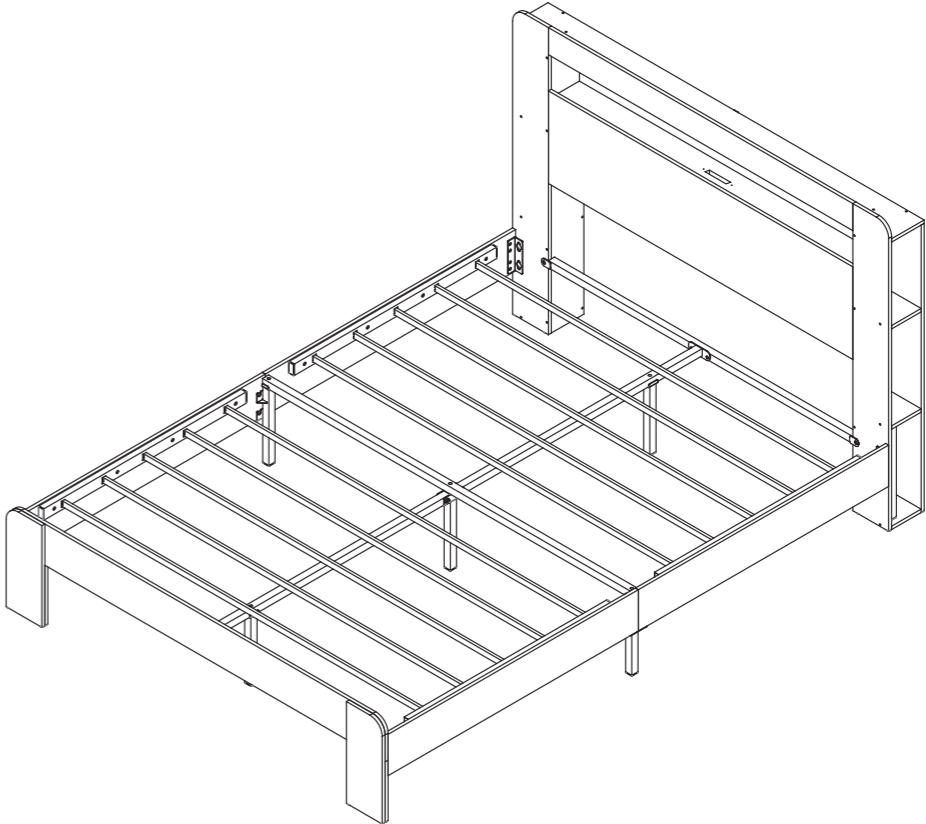
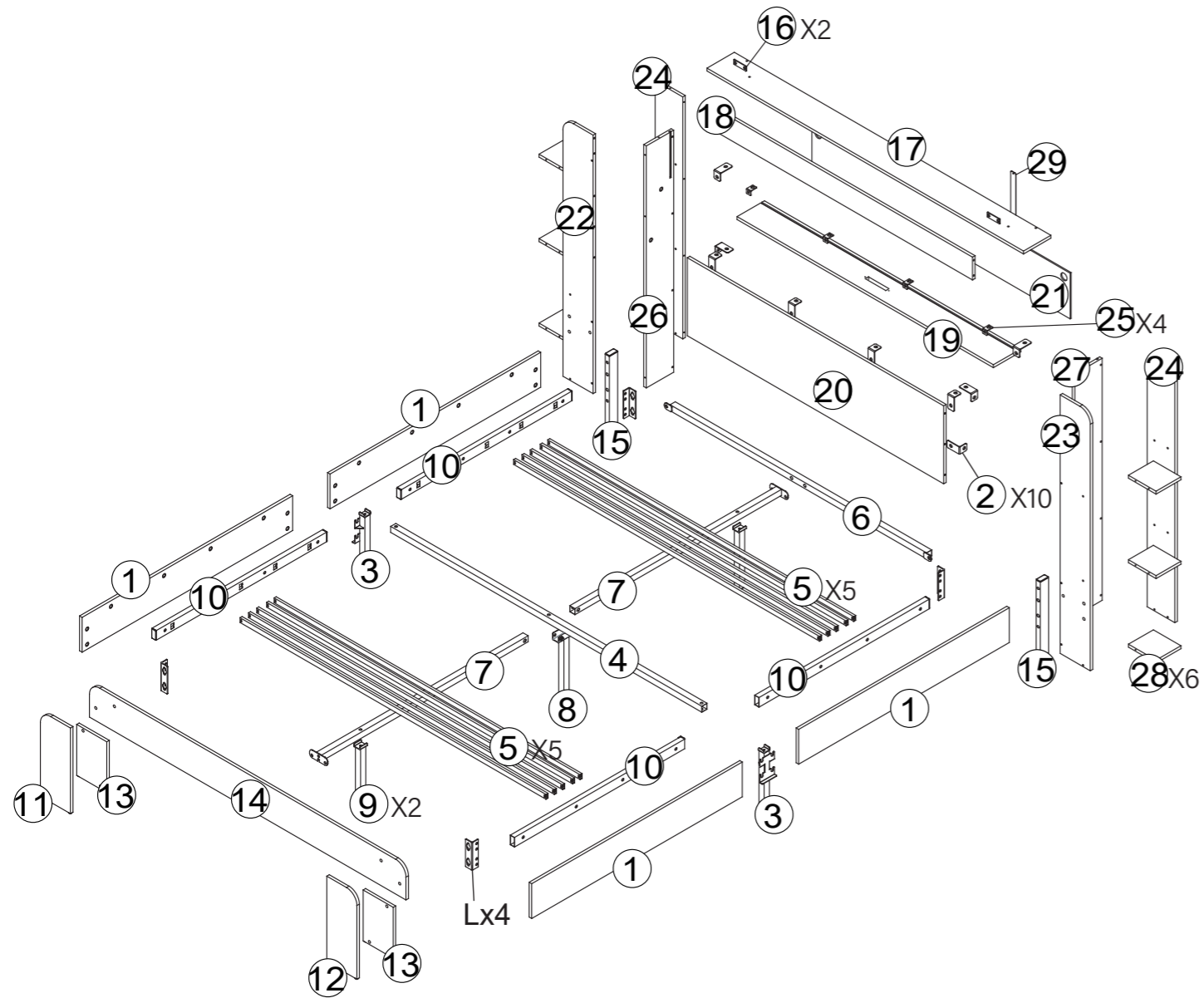


BED FRAME



Thank you for choosing our products, please assemble and use it following the instructions.

Assembly Instruction



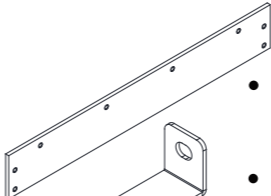
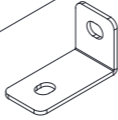






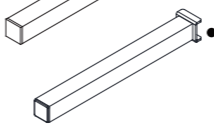
B613 F/Q/K

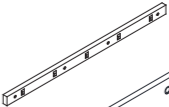
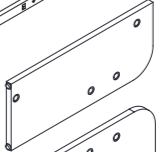
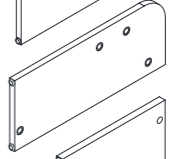
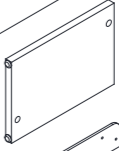
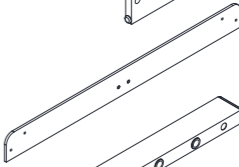
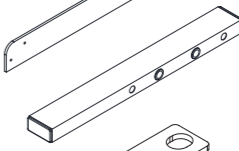
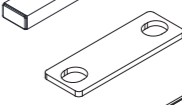
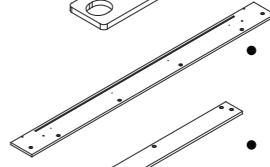
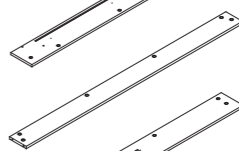
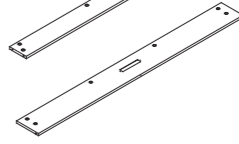
Important Note

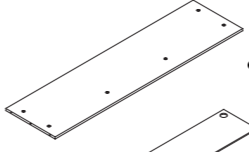
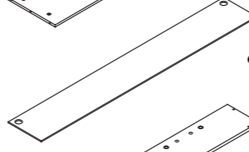
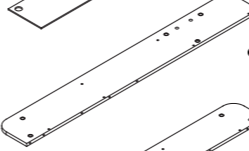
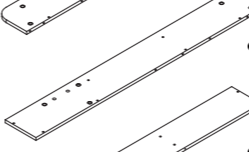
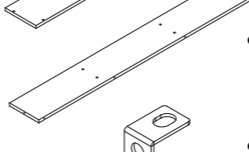

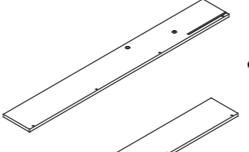
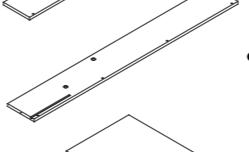
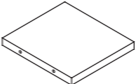
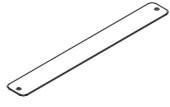
HARDWARE NOTE :





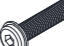
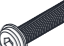



1. Two or more people are required for assembly
2. Do not screw on the bolts too tight unless the installation is done. Make sure all bolts are tightly screwed before you use it.

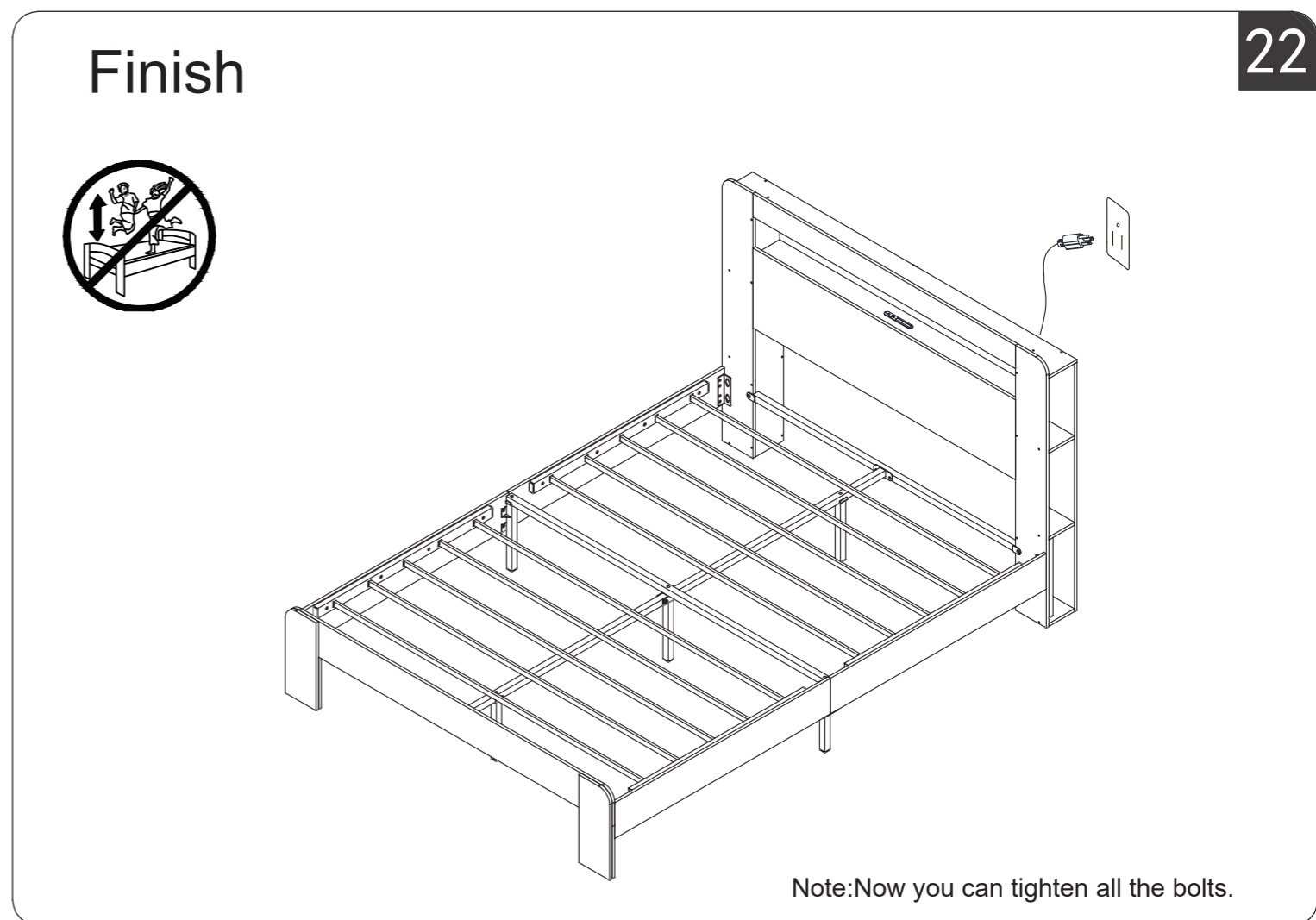
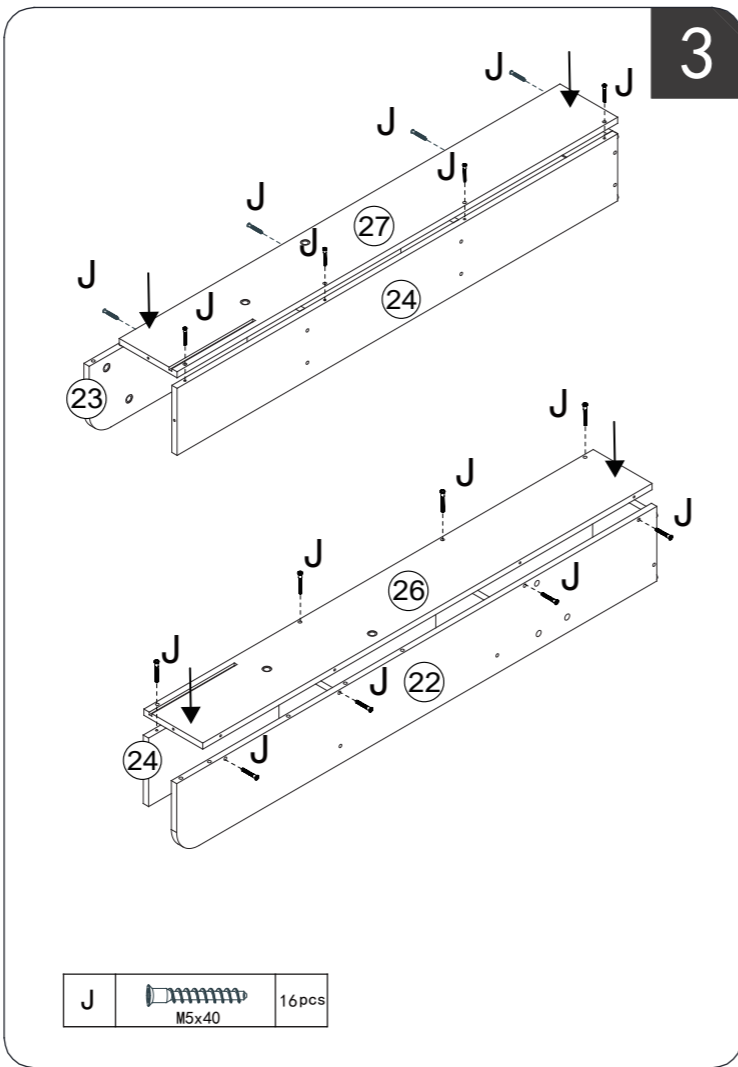
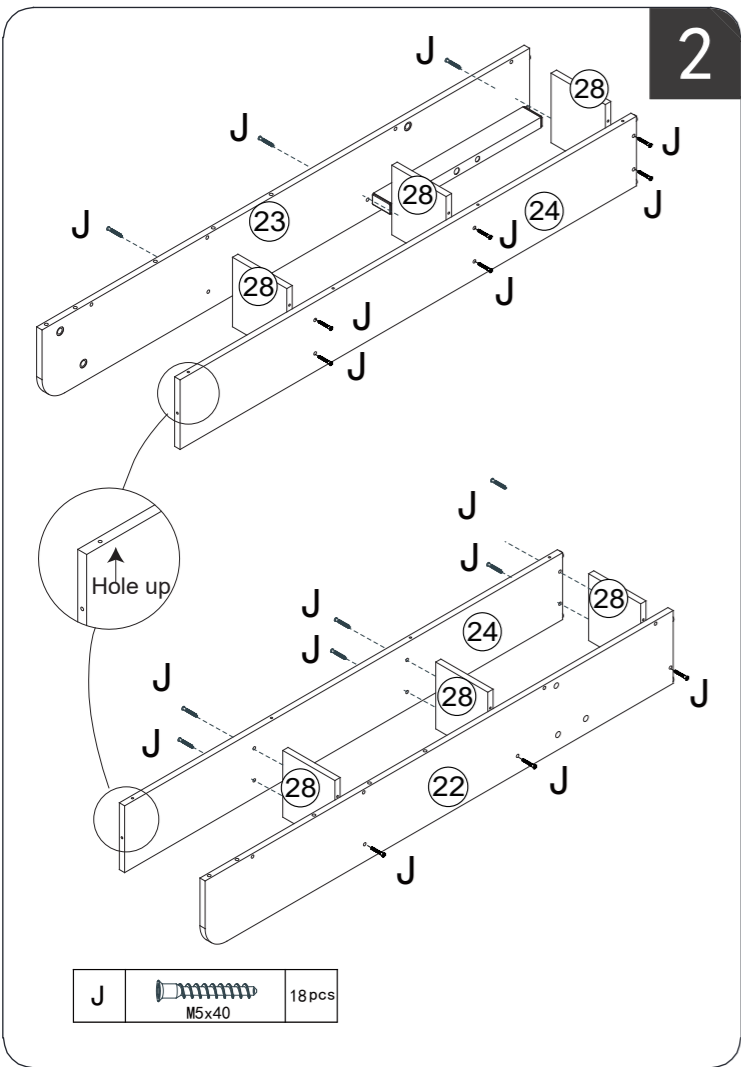
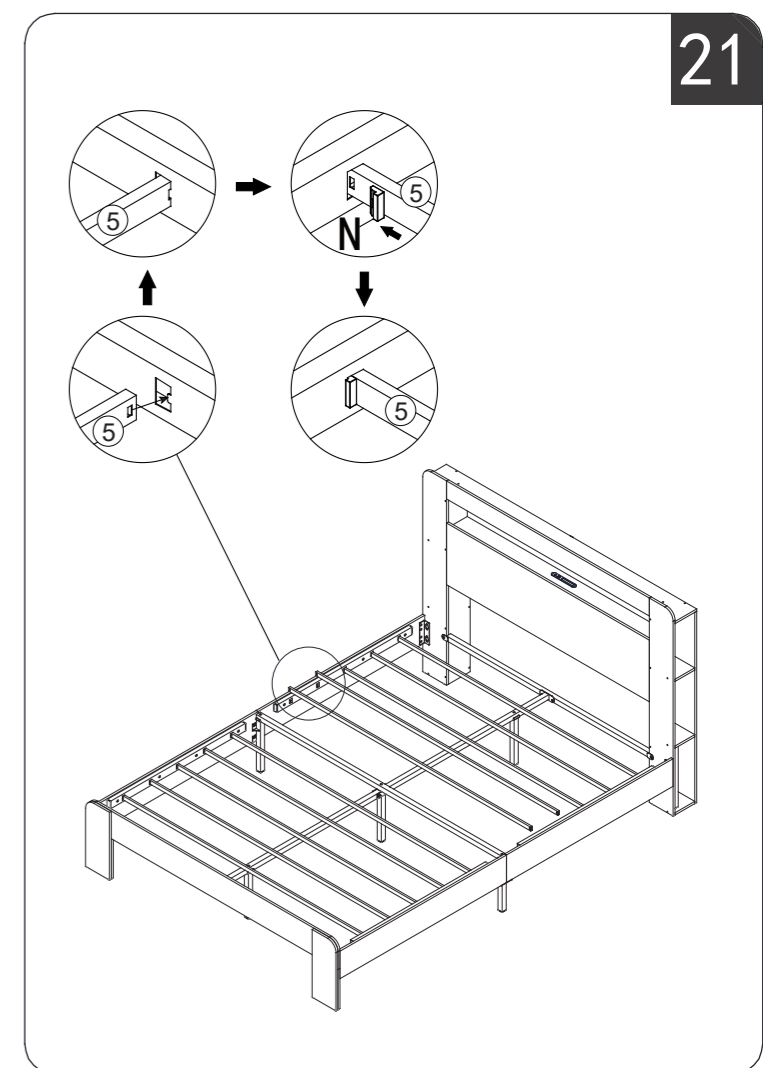
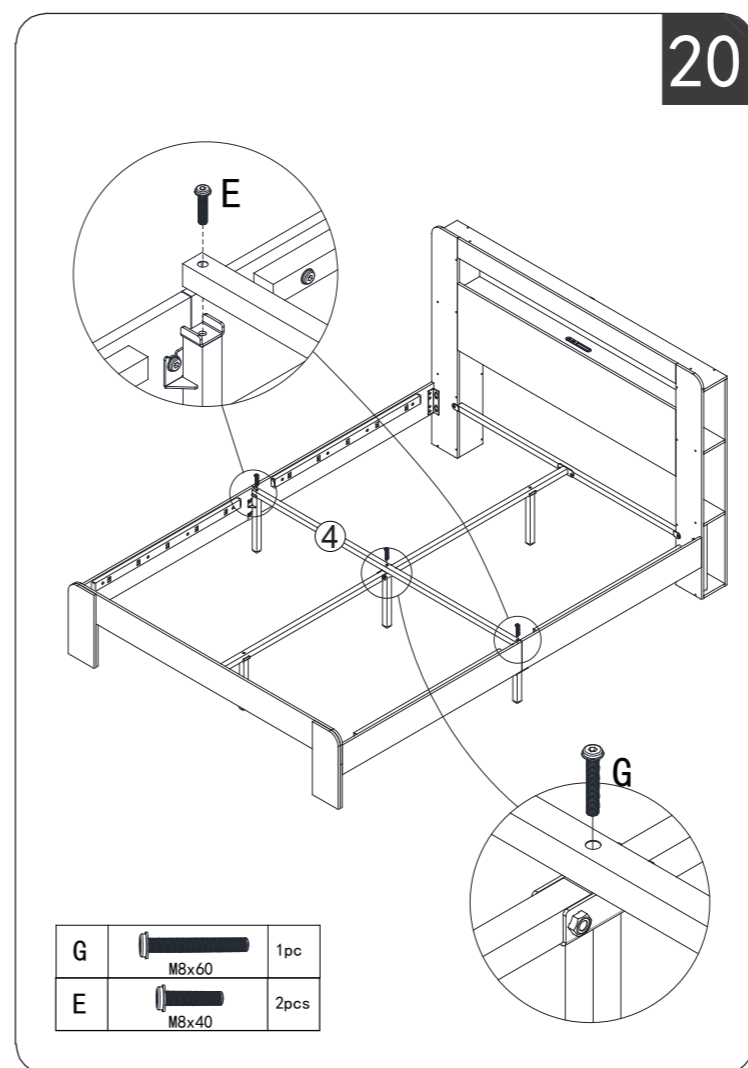
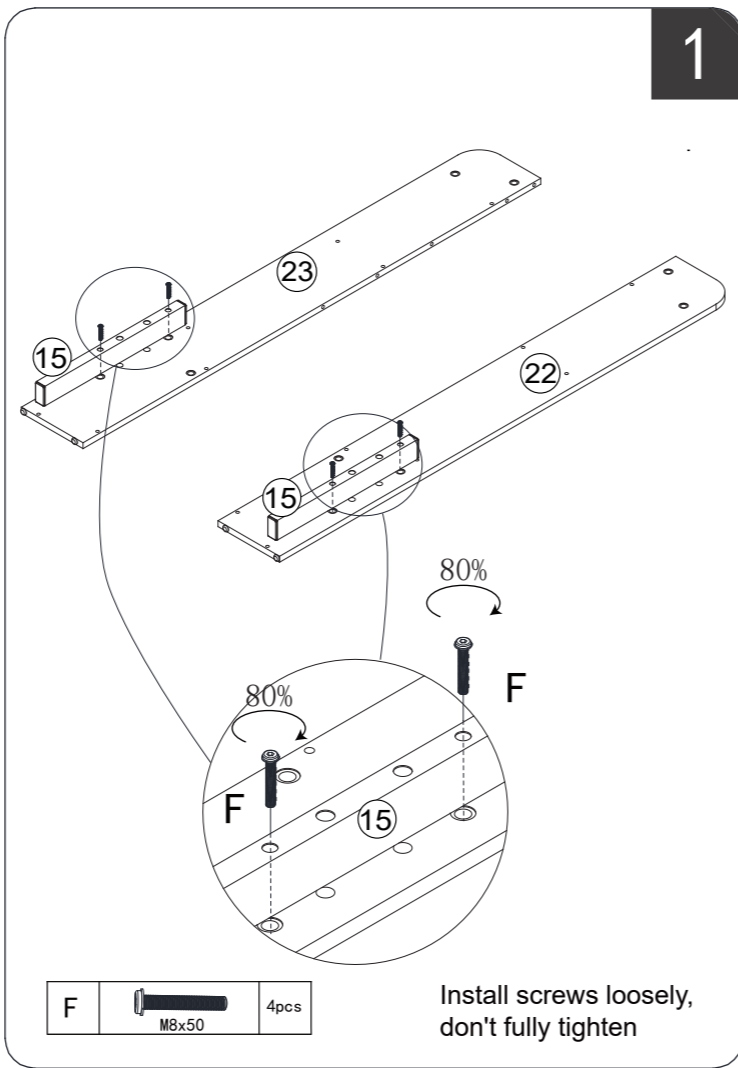
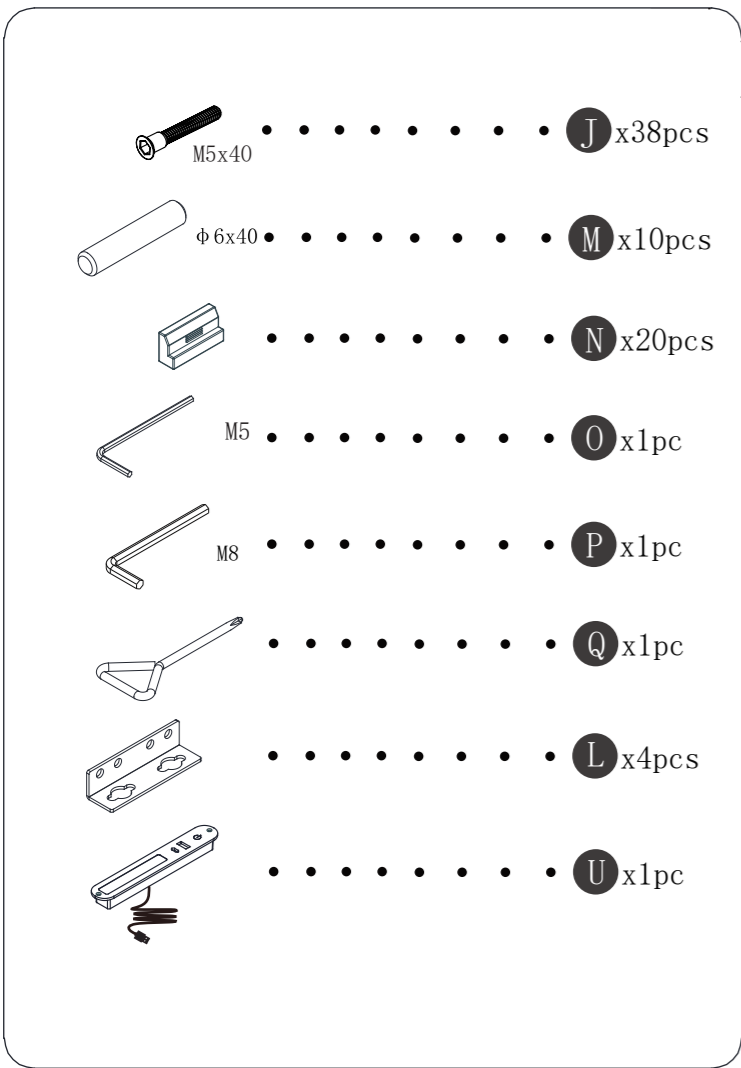
Components

-  1 x4pcs
-  2 x10pcs
-  3 x2pcs
-  4 x1pc
-  5 x10pcs
-  6 x1pc
-  7 x2pcs
-  8 x1pc
-  9 x2pcs

-  10 x4pcs
-  11 x1pc
-  12 x1pc
-  13 x2pcs
-  14 x1pc
-  15 x2pcs
-  16 x2pcs
-  17 x1pc
-  18 x1pc
-  19 x1pc

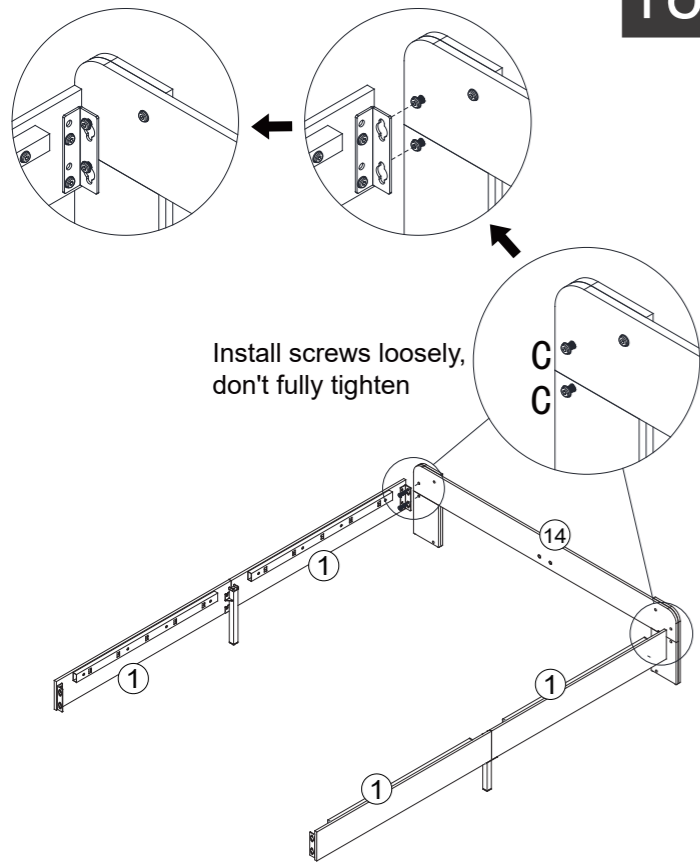
-  20 x1pc
-  21 x1pc
-  22 x1pc
-  23 x1pc
-  24 x2pcs
-  25 x4pcs
-  26 x1pc
-  27 x1pc
-  28 x6pcs
-  29 x1pc

-  A x52pcs
-  B x6pcs
-  C x4pcs
-  D x16pcs
-  E x6pcs
-  F x4pcs
-  G x5pcs
-  H x2pcs
-  I x2pcs




Tighten screws C

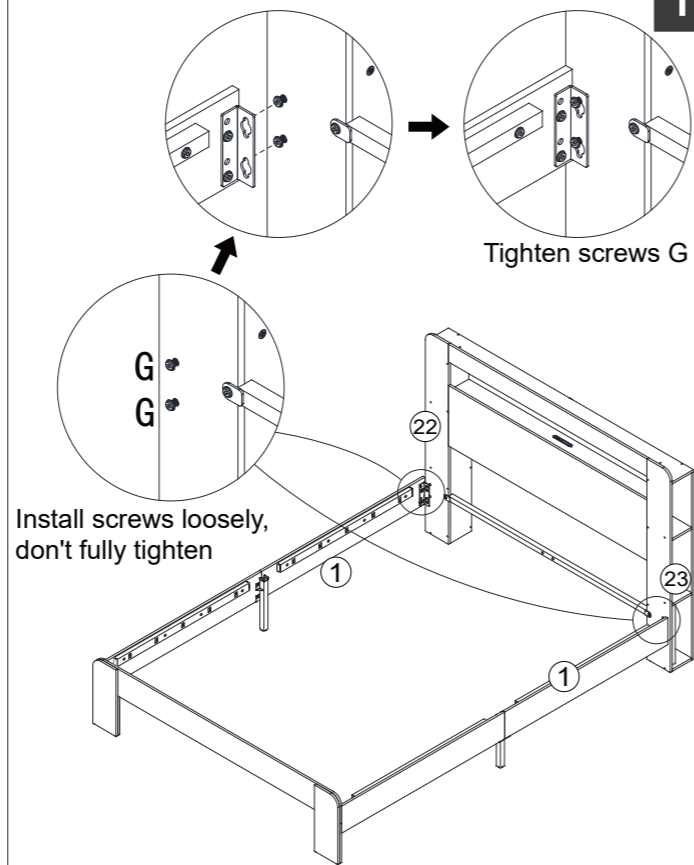
16



Install screws loosely, don't fully tighten


C		4pcs	white zinc
---	---	------	------------

17

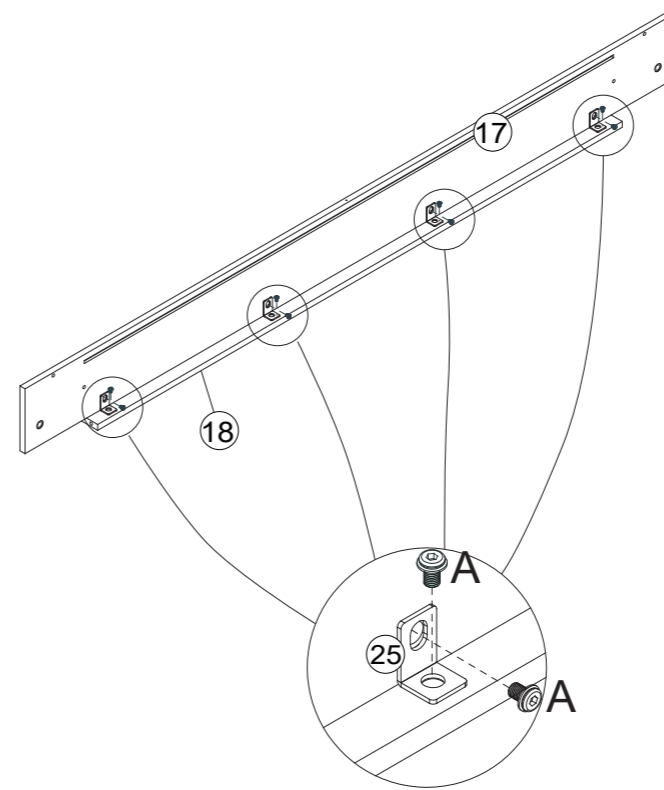


Tighten screws G

Install screws loosely, don't fully tighten

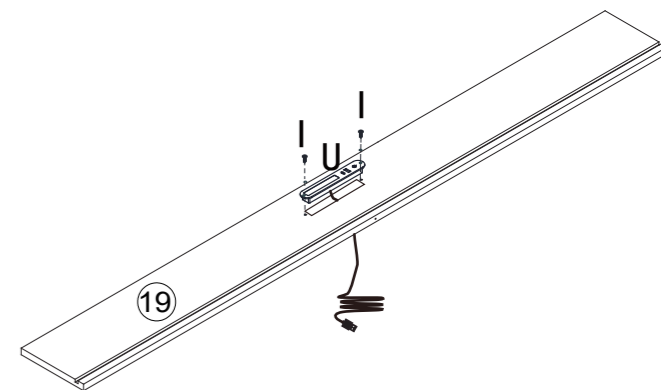
G		4pcs
---	---	------

4



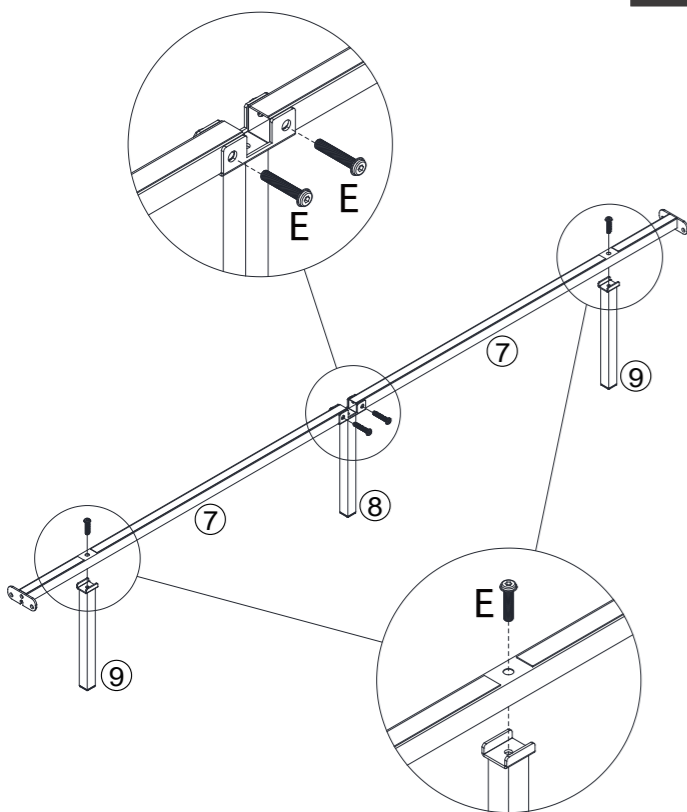
A		8pcs
---	---	------

5



I		2pcs
---	---	------

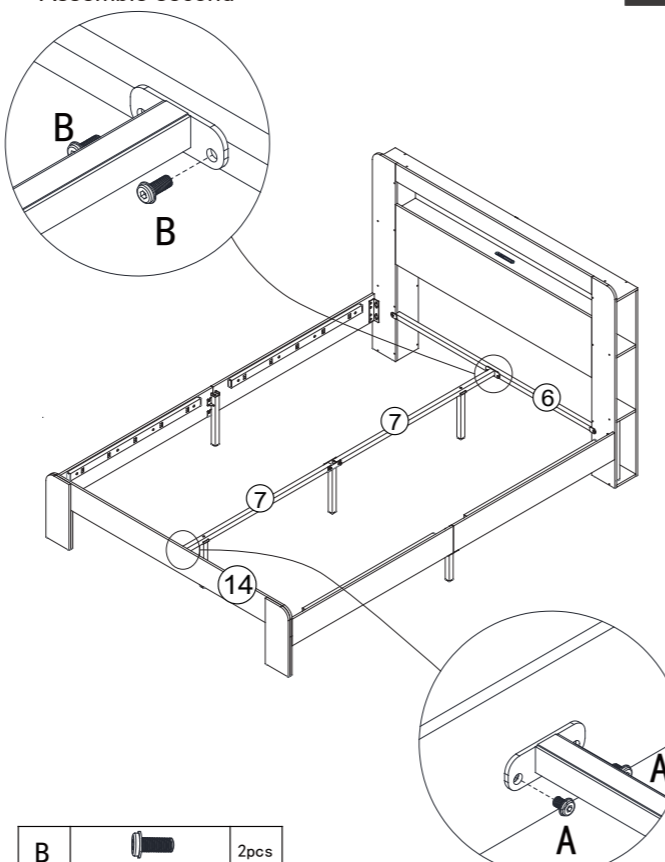
18


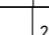


E		4pcs
---	---	------

19

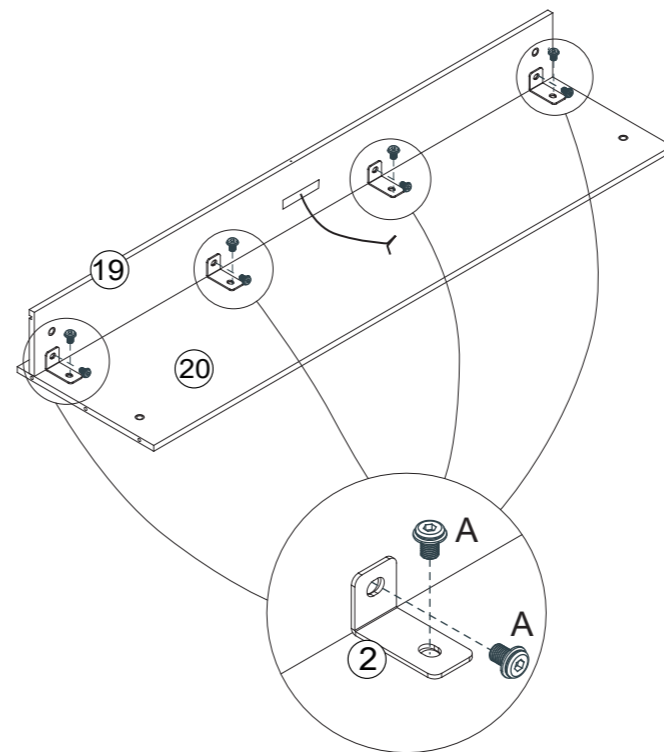
Assemble second



B		2pcs
A		2pcs

to Assemble first

6

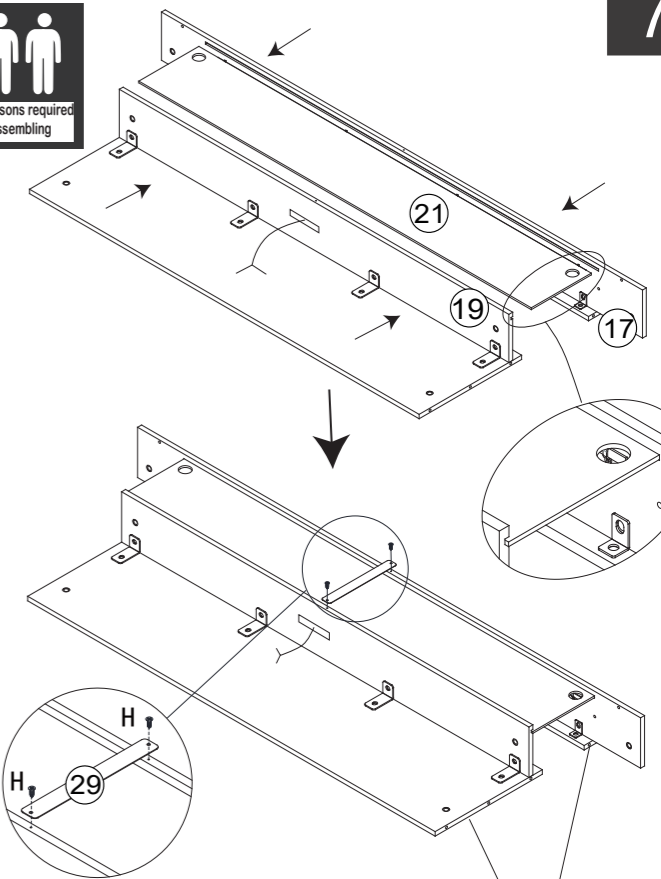



A		8pcs
---	---	------

7



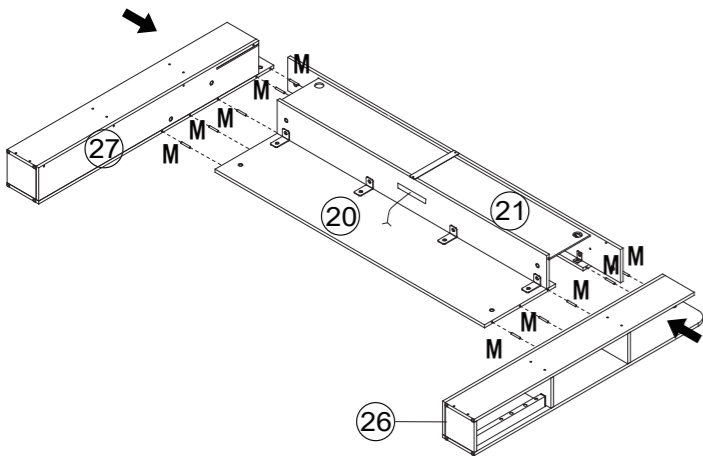
2 persons required for assembling



H		2pcs
---	---	------

The two boards are flush

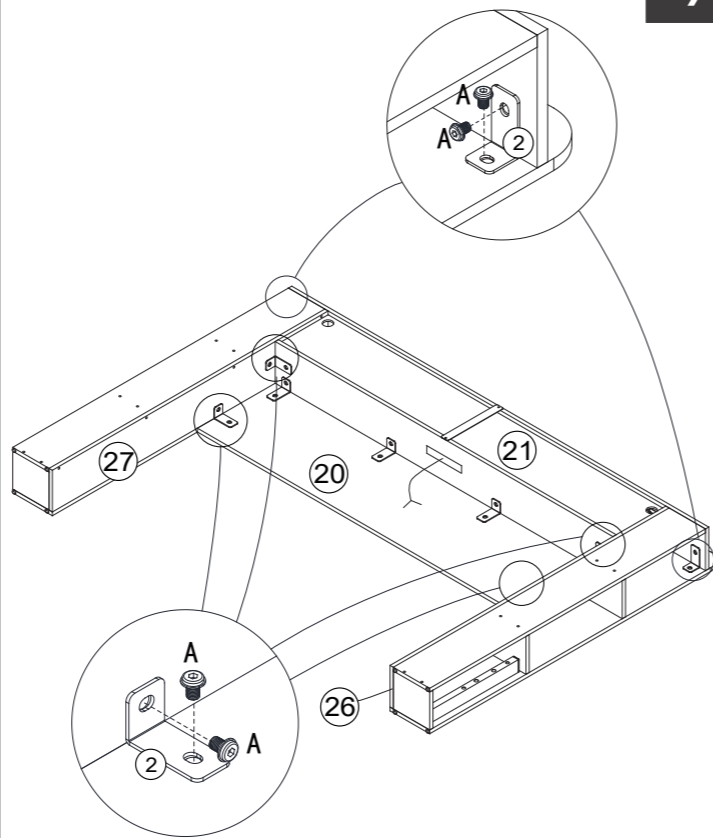
8



M		10pcs
---	--	-------

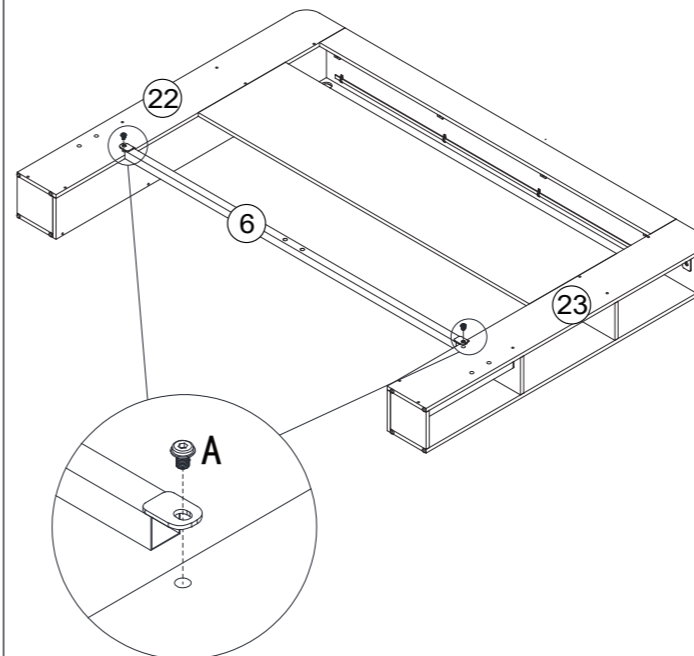


9



A		12pcs
---	--	-------

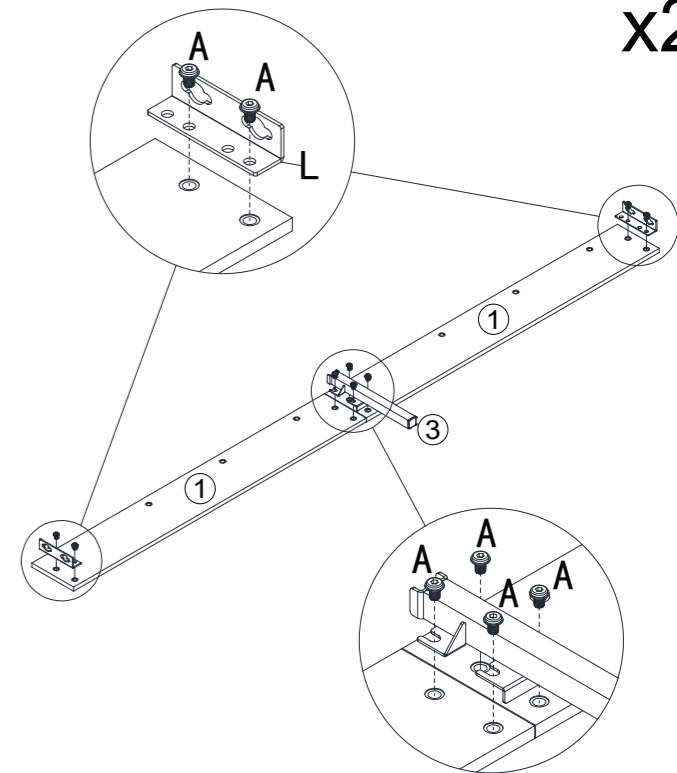
12



A		2pcs
---	--	------

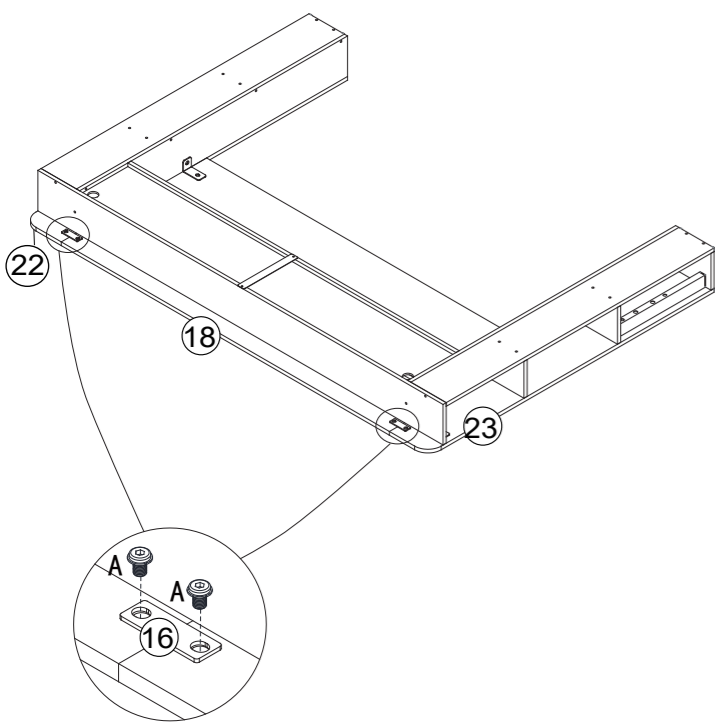
13

x2



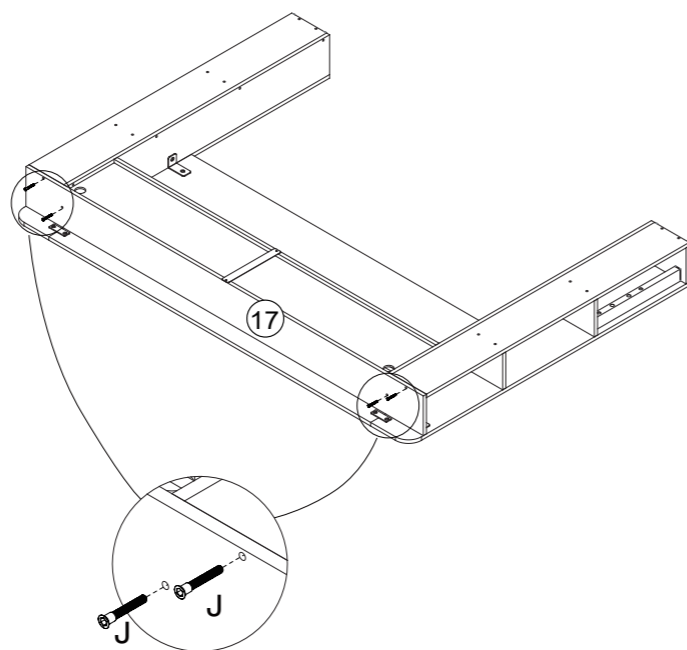
A		16pcs
---	--	-------

10



A		4pcs
---	--	------

11

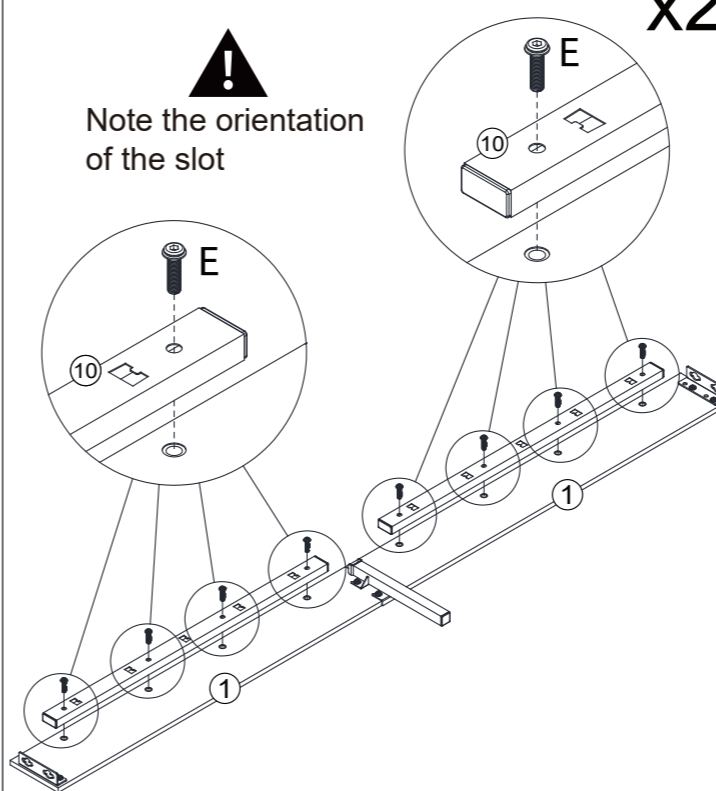


J		4pcs
---	--	------

14

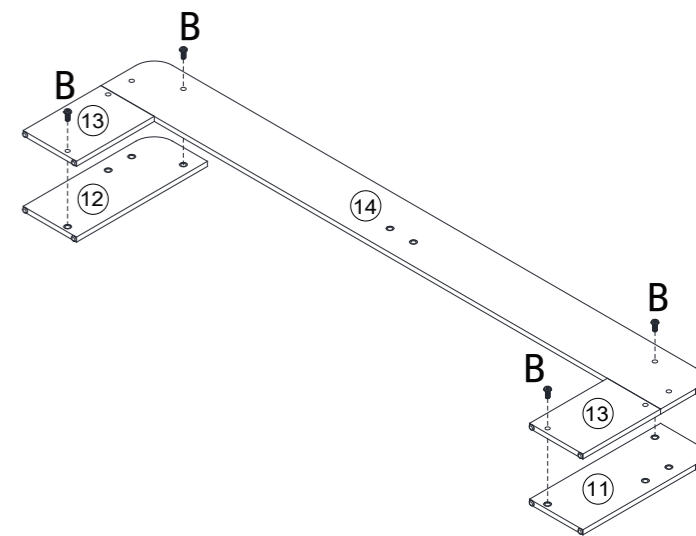
x2

Note the orientation of the slot



D		16pcs
---	--	-------

15



B		4pcs
---	--	------