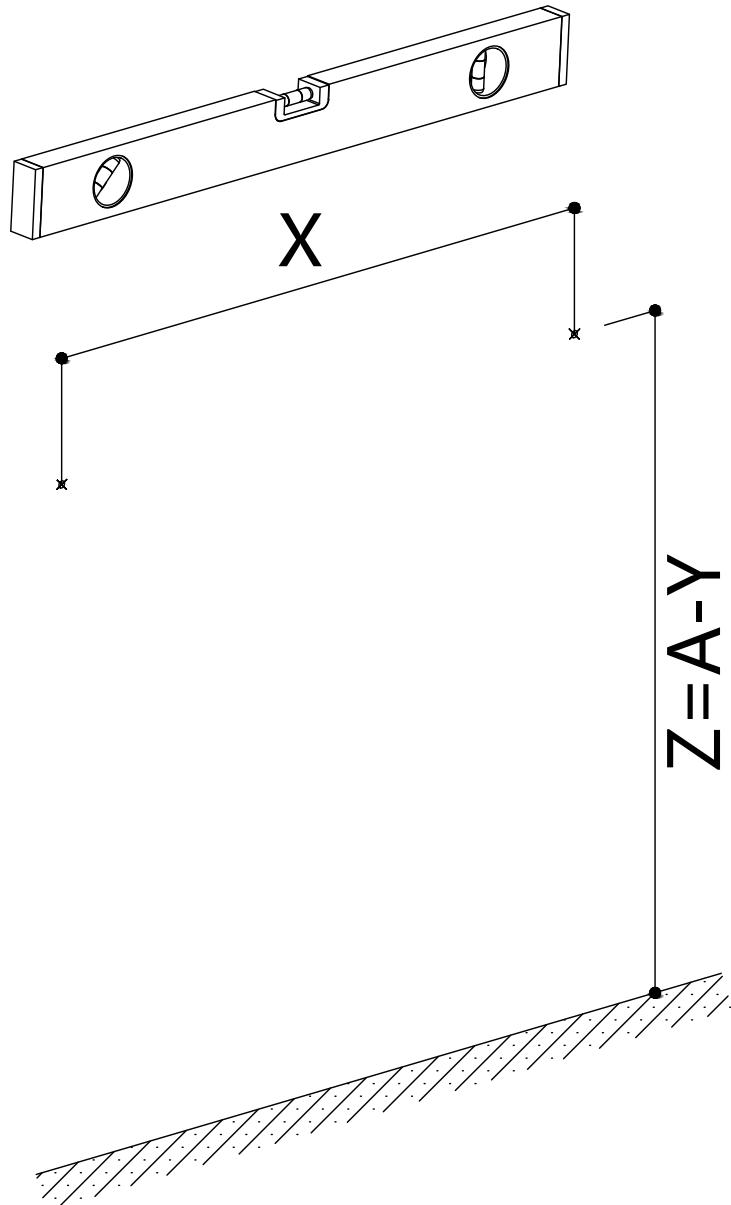
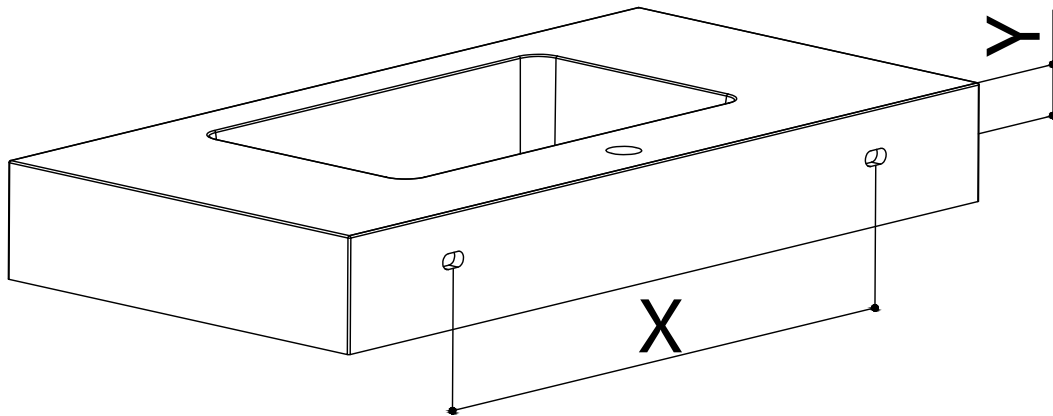
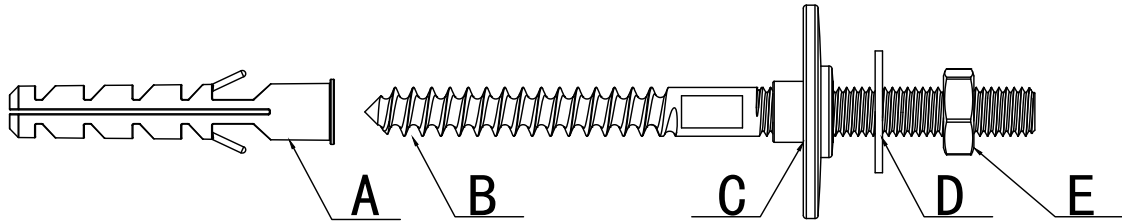


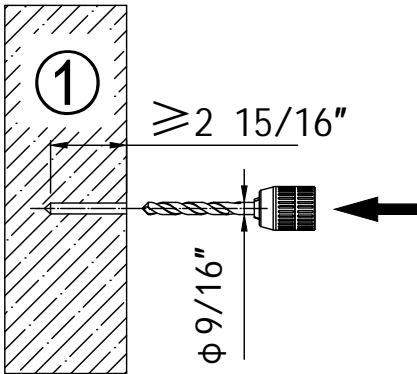
# Installation instruction



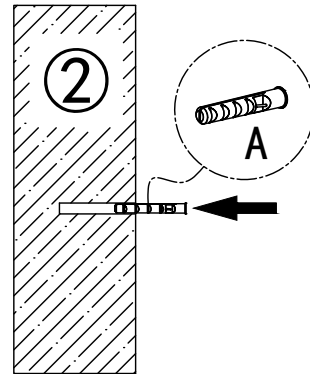


**Note:** These fixings are designed for solid walls only. Plasterboard or stud walls may require specialized fixings (not included).

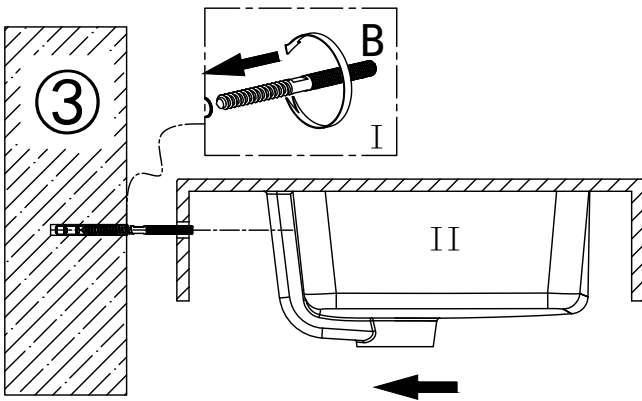
**Caution:** Exercise caution when drilling into walls or floors to avoid damaging hidden wires or pipes.



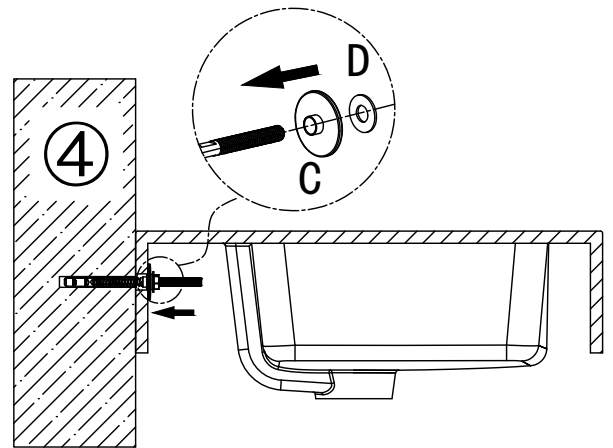
1. Drill two 9/16" holes in the desired wall position using a masonry drill bit, ensuring a depth of 2 15/16"



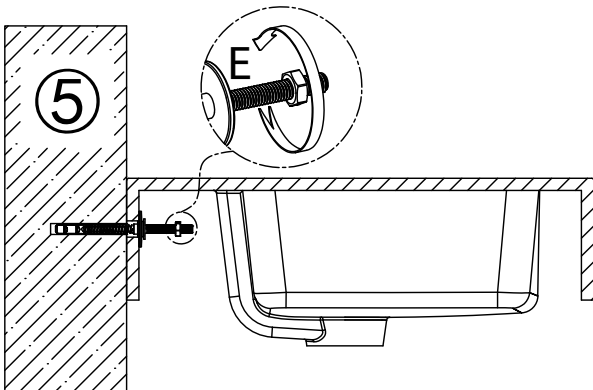
2. Insert a wall plug into each hole.



3. Screw a fixing bolt into each wall plug using an 5/16" spanner until the spanner contacts the wall.



4. Position the basin against the wall, aligning the fixing bolts with the holes in the rear of the basin. Slide a plastic washer, followed by a metal washer, onto each fixing bolt.



5. Secure the basin by screwing a metal nut onto each fixing bolt.

**Caution:** Avoid over-tightening, as this may damage the ceramic sink.