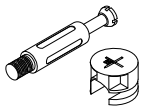
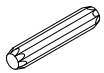


A



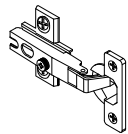
34PCS

B



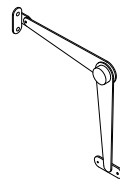
29PCS

C



4PCS

D



2PCS

E

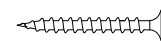
3.5*14



32PCS

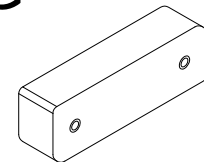
F

3.5*25



4PCS

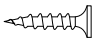
G



2PCS

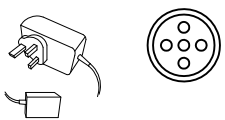
H

3*12



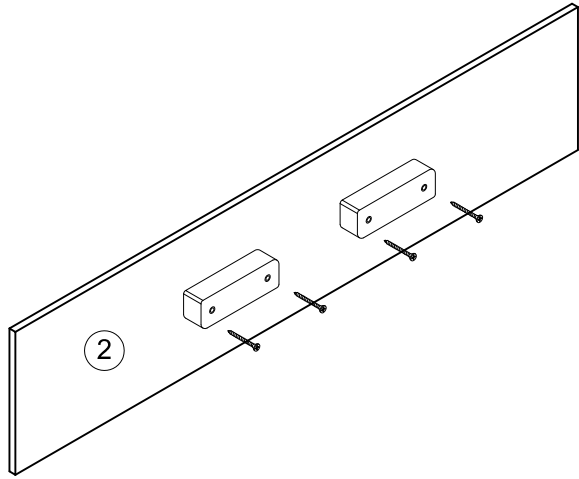
1PCS

LED



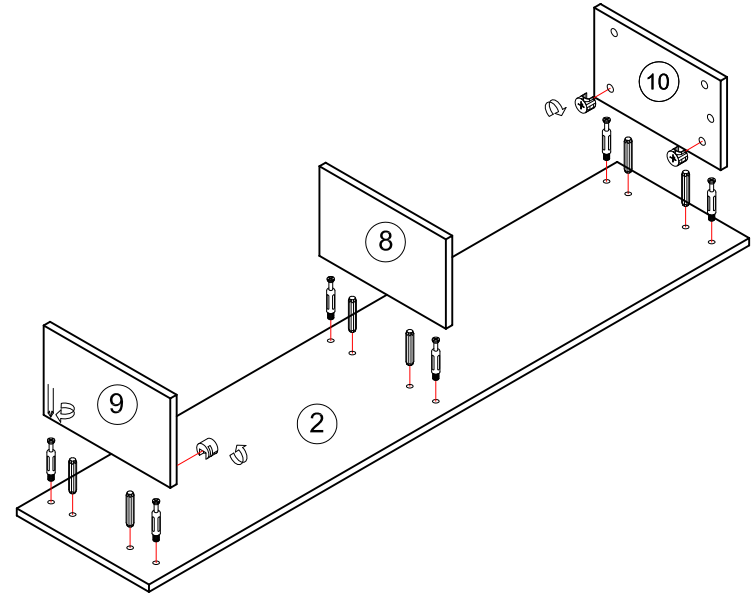
1PCS

1



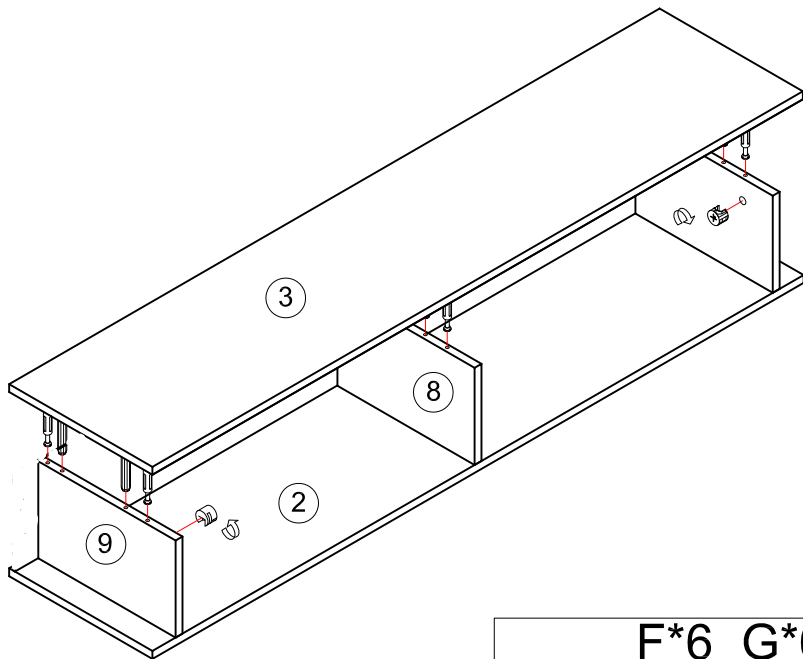
F*4 G*2

2



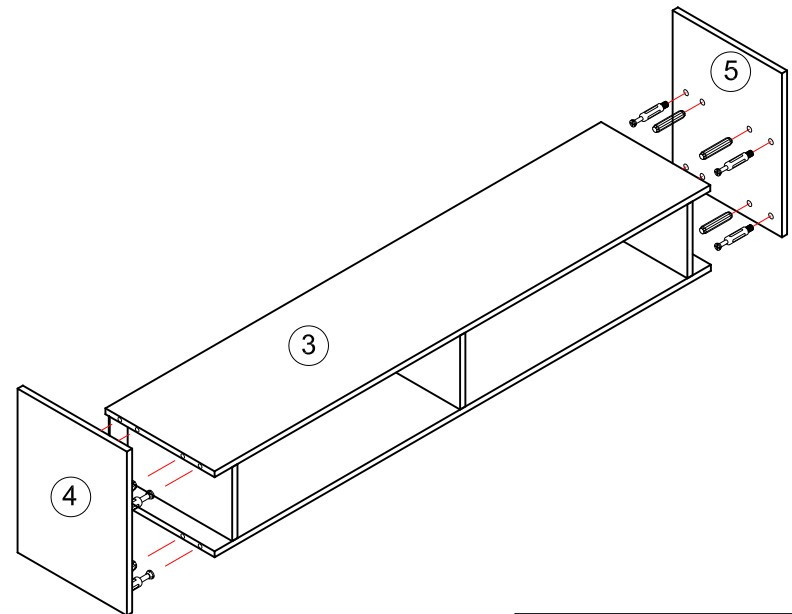
A*6 B*6

3



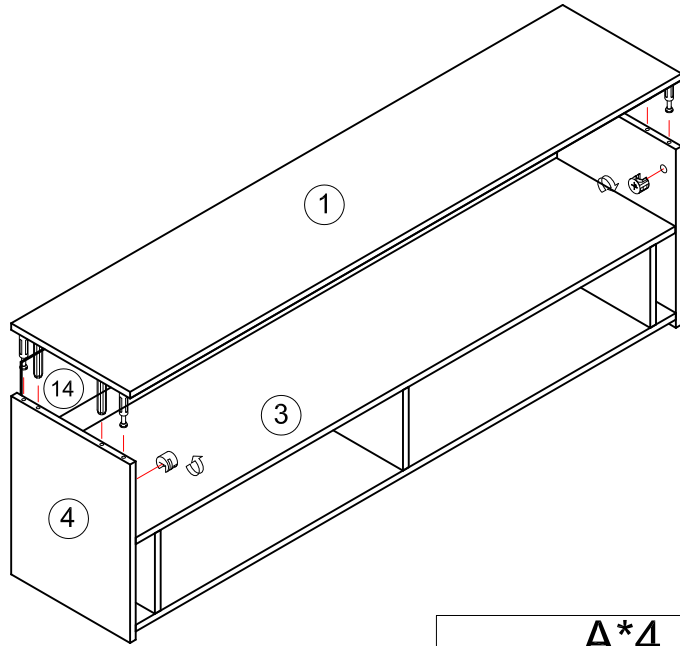
F*6 G*6

4



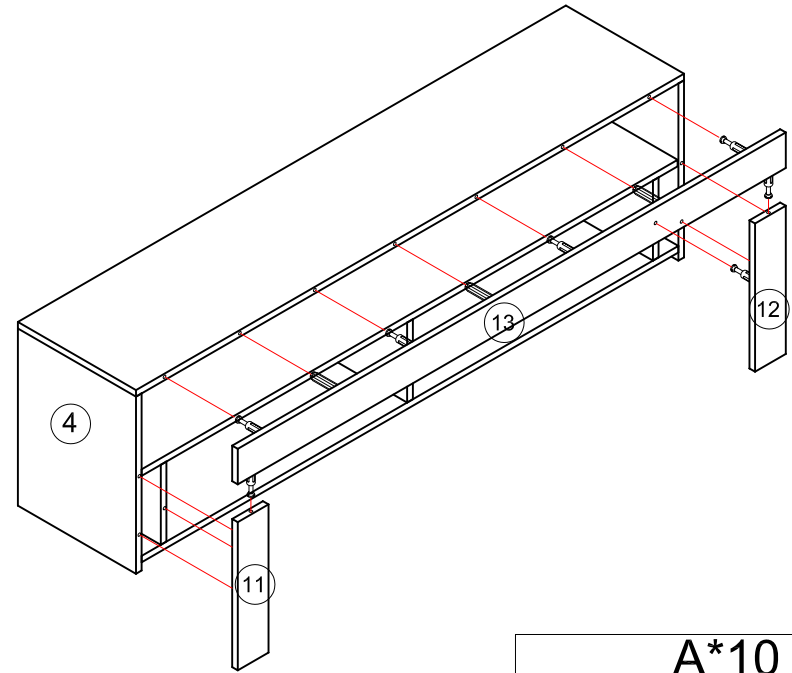
A*8 B*8

5



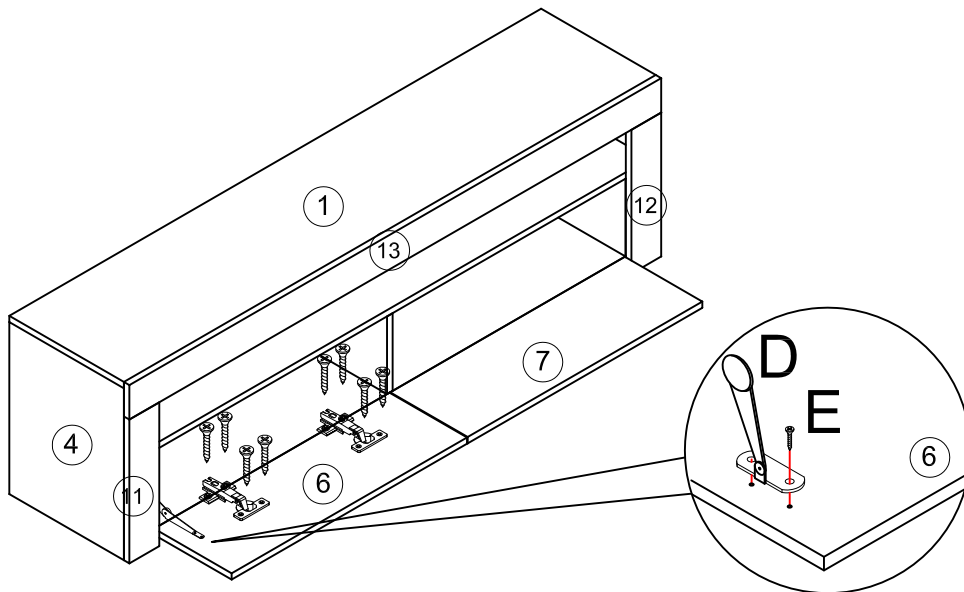
A*4 B*4

6



A*10 B*5

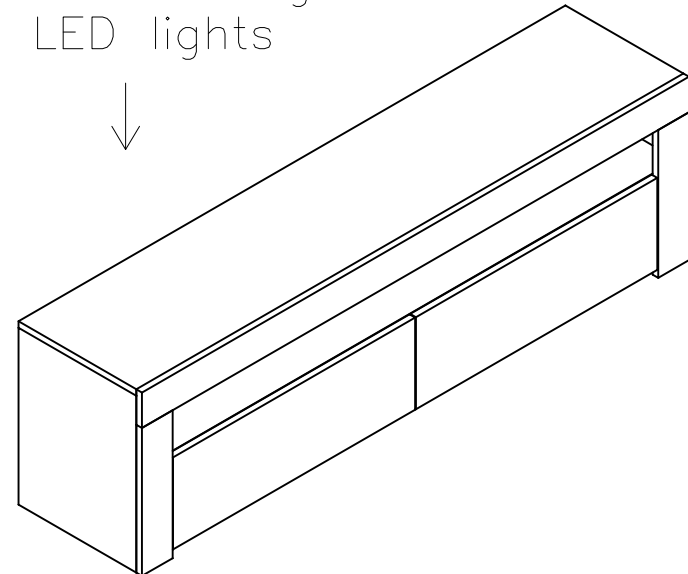
7



C*4 E*24 D*2

8

The following installation
LED lights



H*1