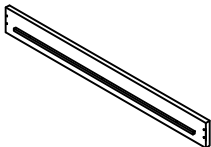
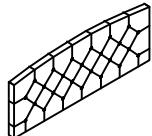

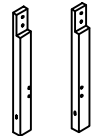
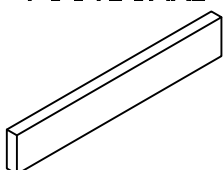
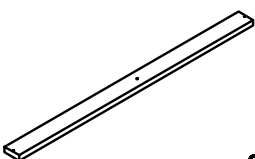


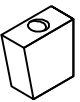

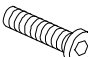
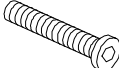
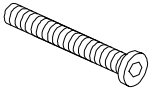
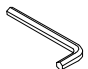

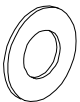
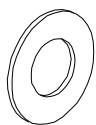
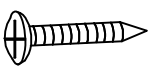
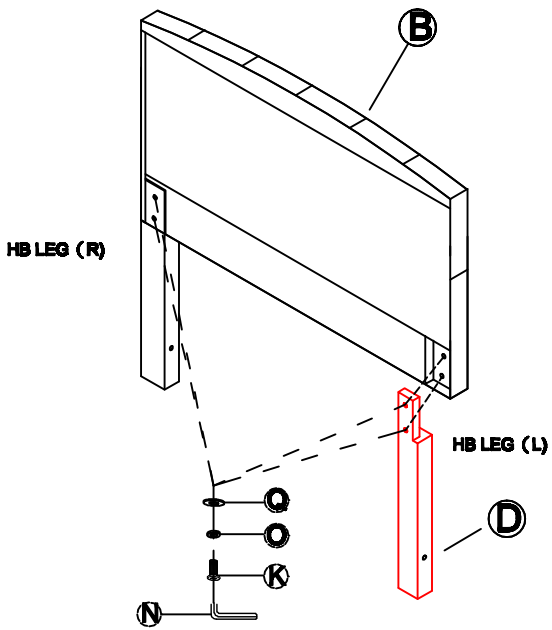


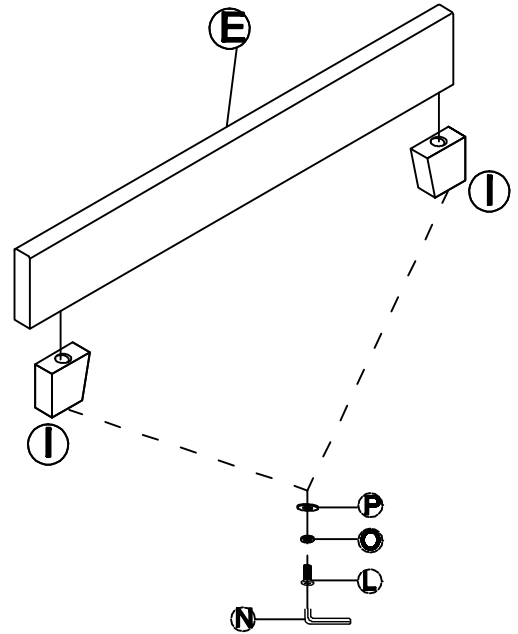
ASSEMBLY INSTRUCTION

A RAIL  2PCS	B HEADBOARD  1PC	C Wingback(L&R)  2PCS	D HB LEG (L&R)  2PCS
E FOOTBOARD  1PC	F WOOD SLAT  3PCS	G SUPPORT LEG  3PCS	H CONNECTION STRAP  4PCS
I FB FEET  2PCS	J BOLT $\frac{5}{16}$ "x1"  16PCS	K BOLT $\frac{5}{16}$ "x2"  8PCS	L BOLT $\frac{5}{16}$ "x3"  2PCS
M BOLT $\frac{5}{16}$ "x5"  2PCS	N ALLEN WRENCH 5MM  1PC	O LOCK WASHER 5/16"Ø12MM  28PCS	P FLAT WASHER 5/16"Ø19MM  18PCS
Q FLAT WASHER 5/16"Ø22MM  10PCS	R SCREW 8MMx1- $\frac{3}{4}$ "  6PCS		

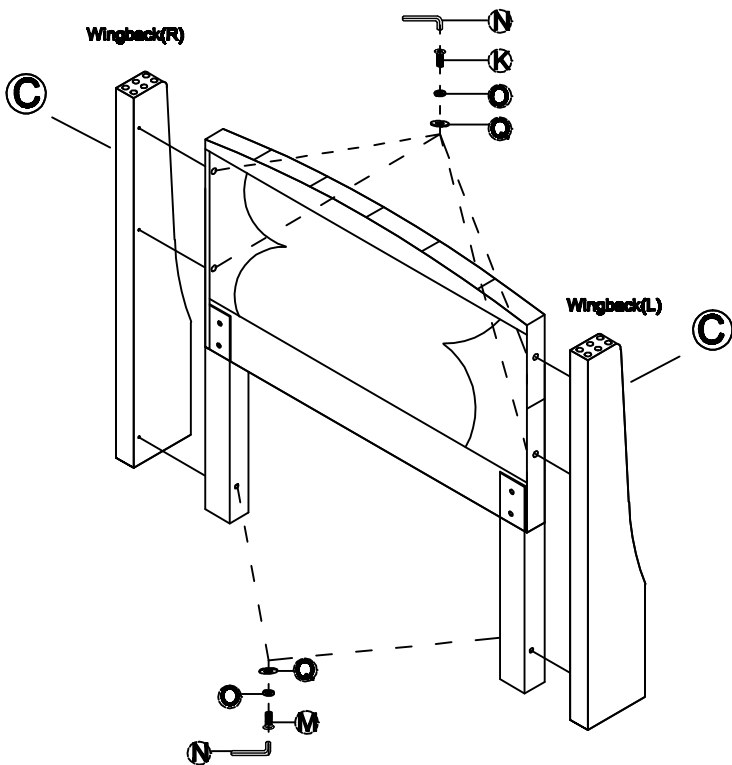
STEP 1



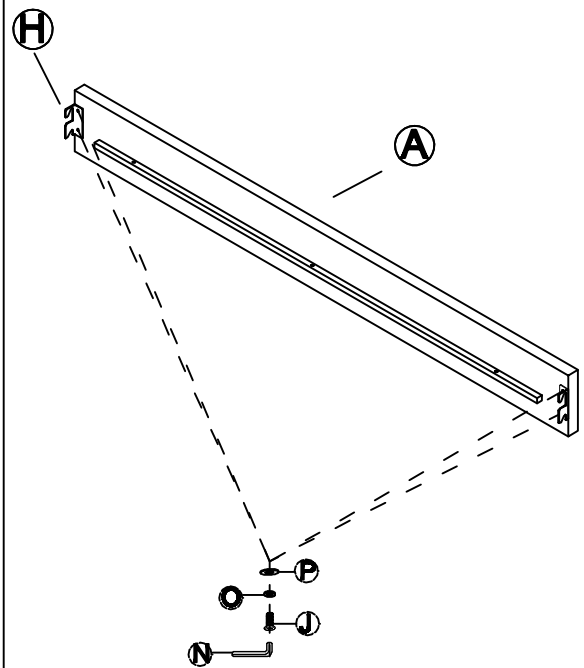
STEP 2



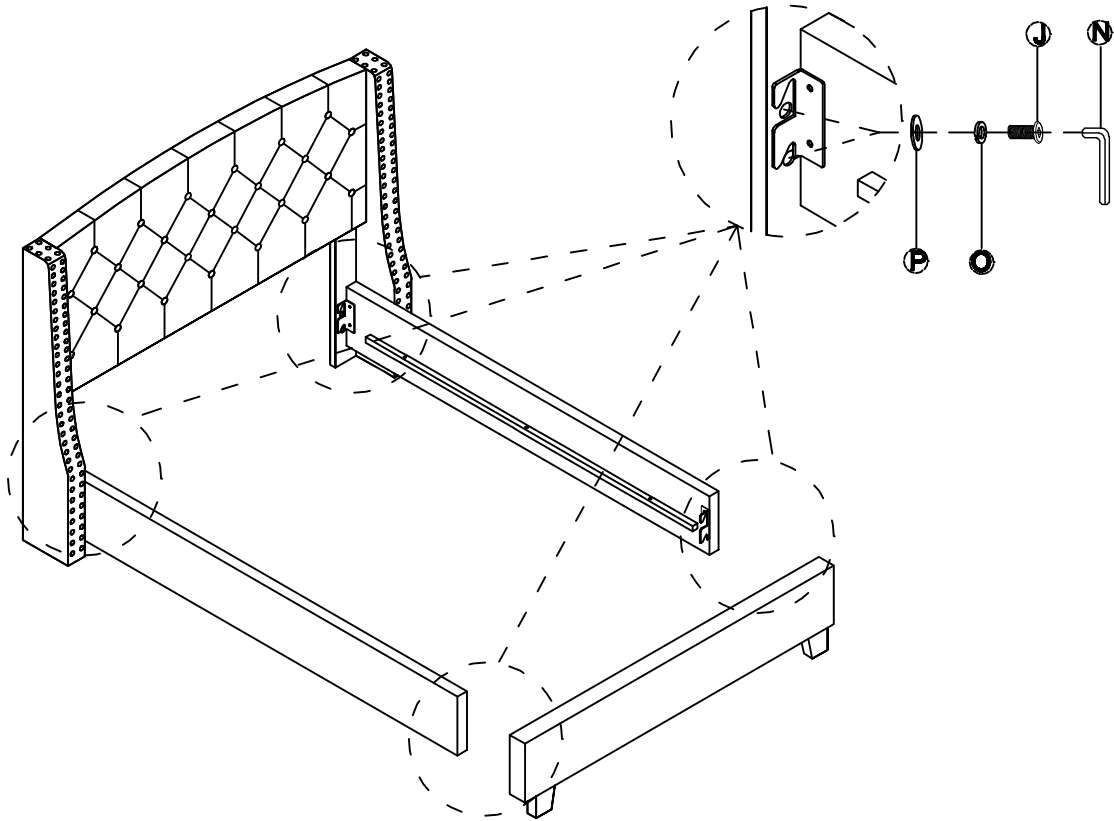
STEP 3



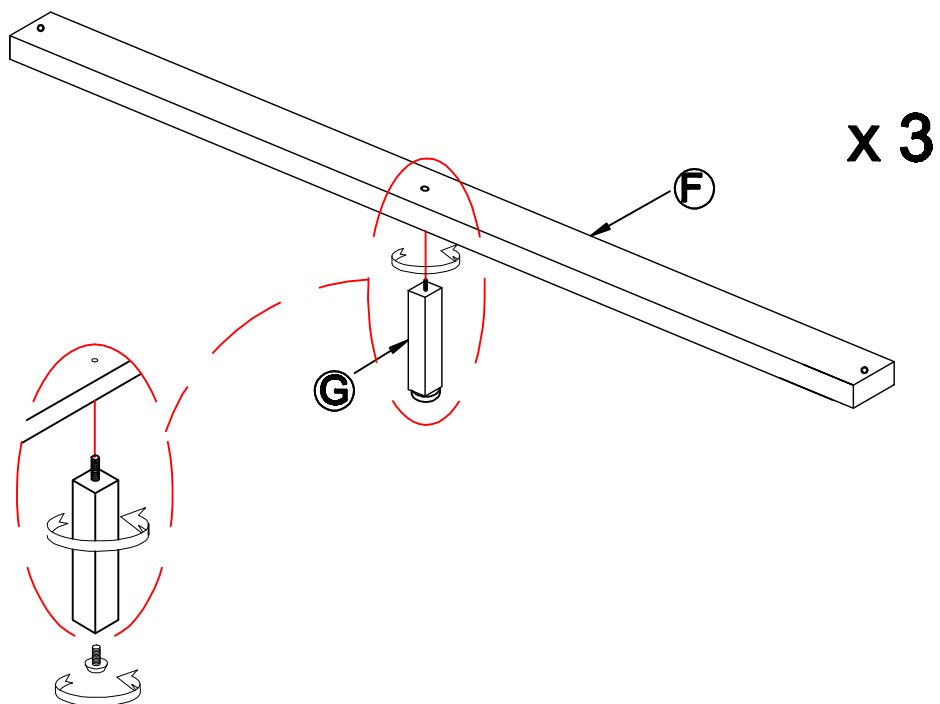
STEP 4



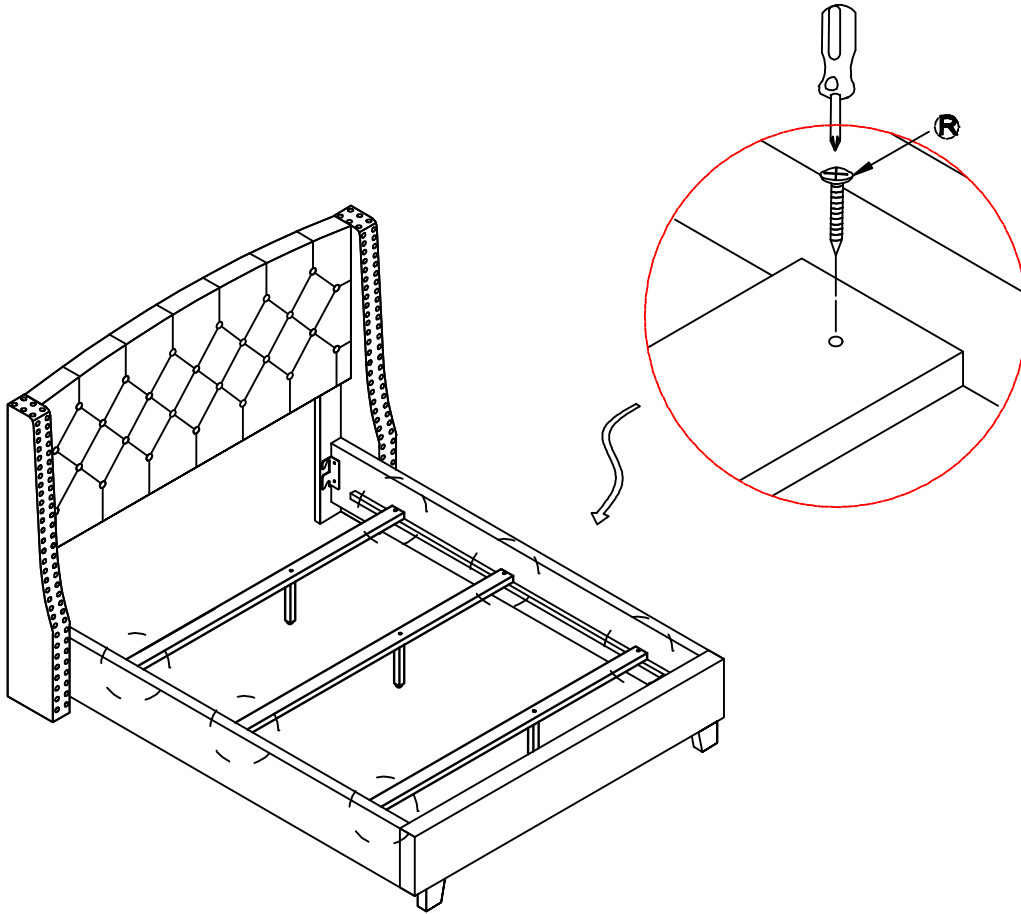
STEP 5



STEP 6



STEP 7



STEP 8

