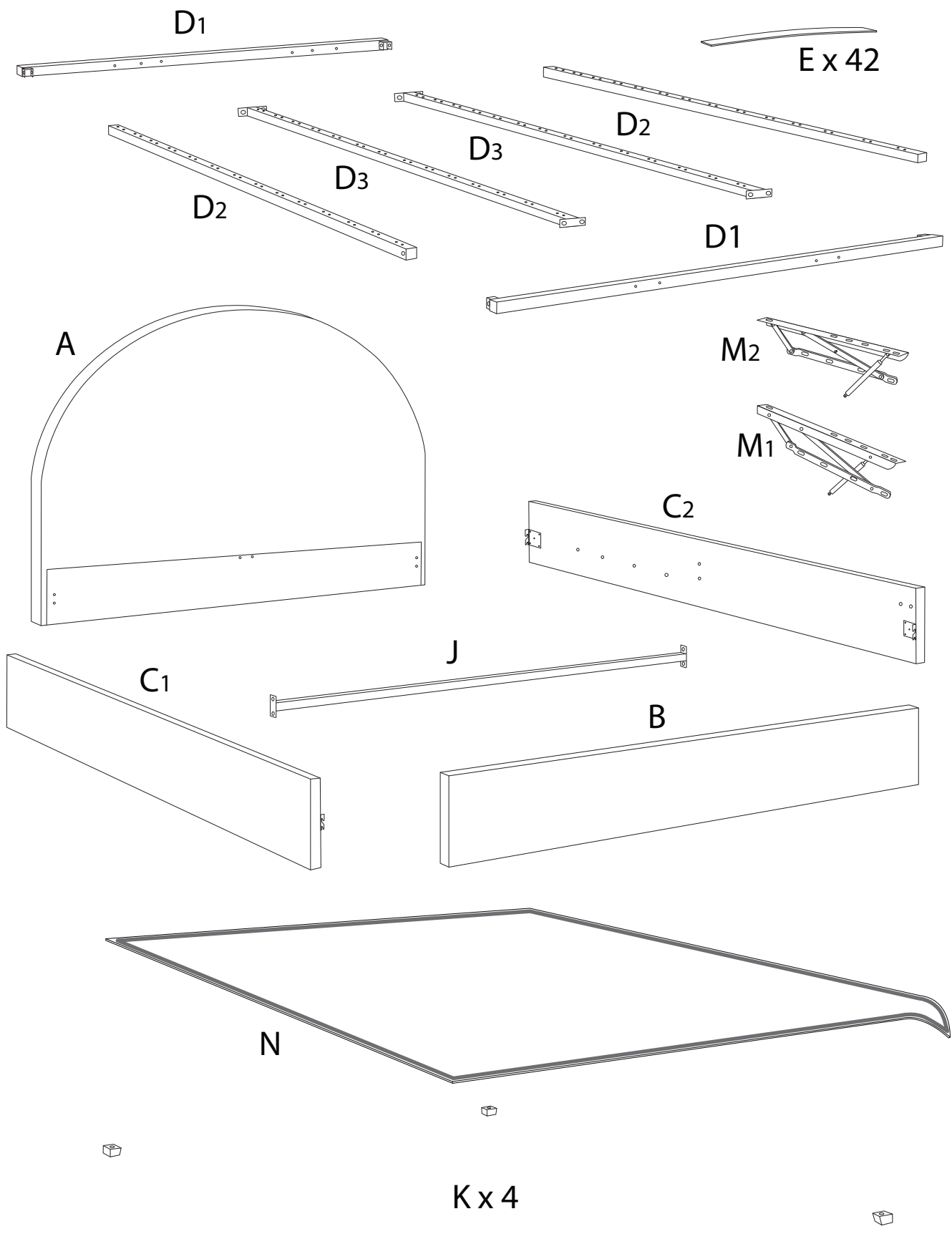
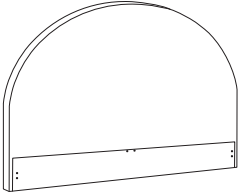
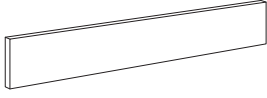
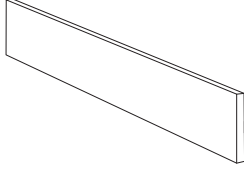
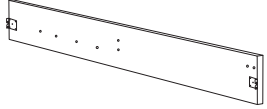

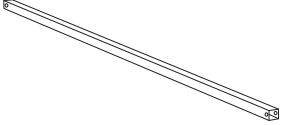
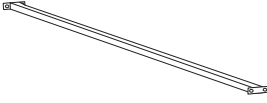

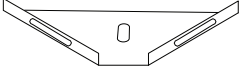

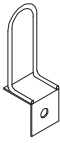
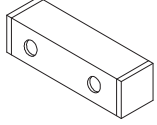

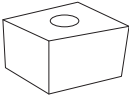
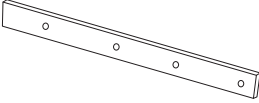
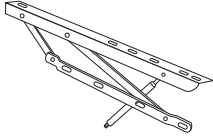
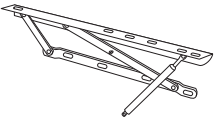
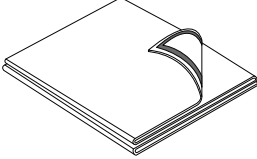
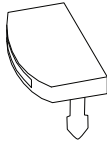
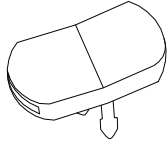
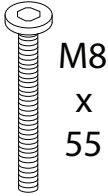
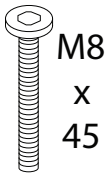

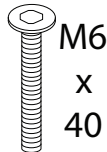

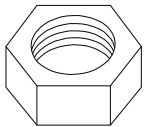
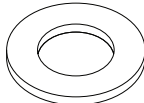
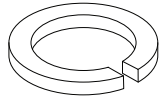
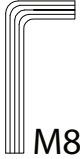
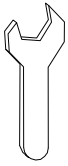
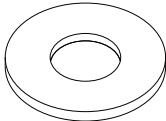
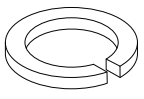

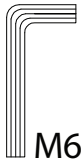
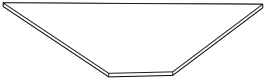
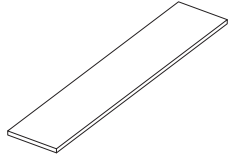
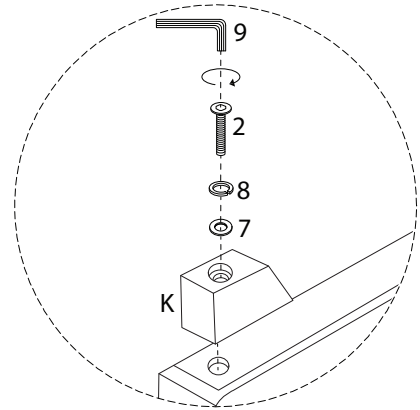
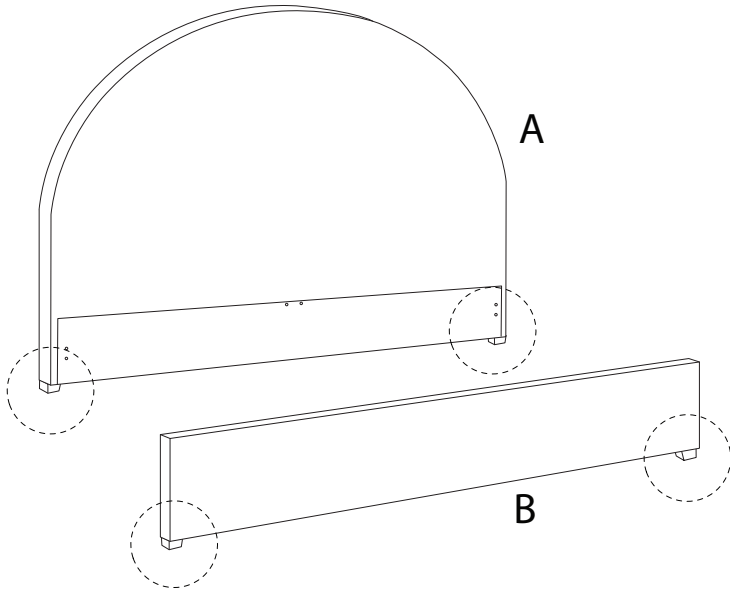
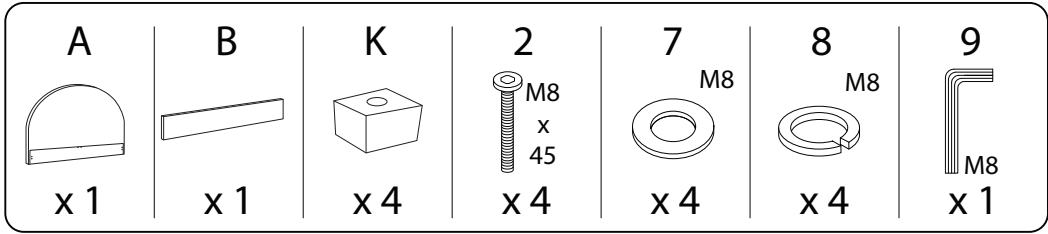
 2



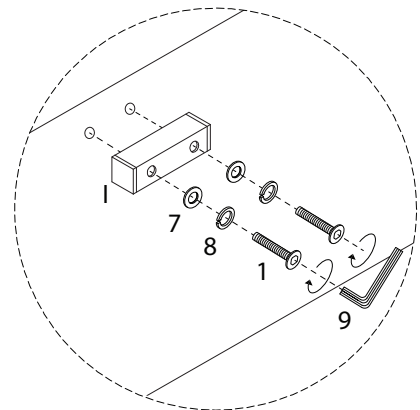
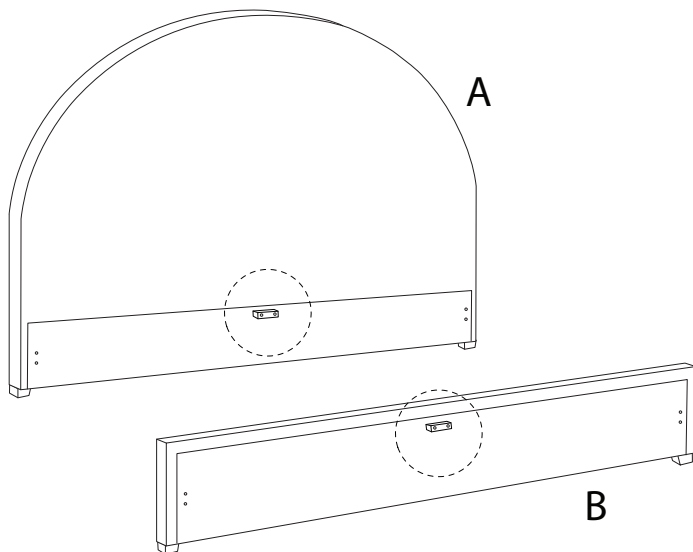
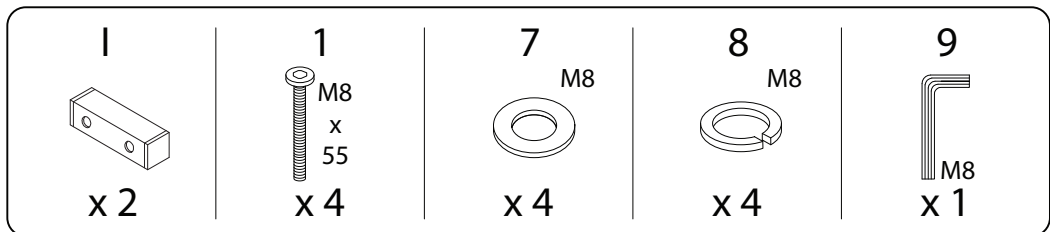
<p>A</p>  <p>x 1</p>	<p>B</p>  <p>x 1</p>	<p>C1</p>  <p>x 1</p>	<p>C2</p>  <p>x 1</p>
<p>D1</p>  <p>x 2</p>	<p>D2</p>  <p>x 2</p>	<p>D3</p>  <p>x 2</p>	<p>E</p>  <p>x 42</p>
<p>F</p>  <p>x 2</p>	<p>G</p>  <p>x 1</p>	<p>H</p>  <p>x 2</p>	<p>I</p>  <p>x 2</p>
<p>J</p>  <p>x 1</p>	<p>J</p>  <p>x 4</p>	<p>L</p>  <p>x 2</p>	<p>M1</p>  <p>x 1</p>
<p>M2</p>  <p>x 1</p>	<p>N</p>  <p>x 1</p>	<p>O</p>  <p>x 28</p>	<p>P</p>  <p>x 28</p>

<p>1</p>  <p>M8 x 55</p> <p>x 4</p>	<p>2</p>  <p>M8 x 45</p> <p>x 22</p>	<p>3</p>  <p>M8 x 30</p> <p>x 8</p>	<p>4</p>  <p>M6 x 40</p> <p>x 8</p>
<p>5</p>  <p>M6 x 20</p> <p>x 12</p>	<p>6</p>  <p>x 18</p>	<p>7</p>  <p>M8</p> <p>x 34</p>	<p>8</p>  <p>M8</p> <p>x 34</p>
<p>9</p>  <p>M8</p> <p>x 1</p>	<p>10</p>  <p>x 1</p>	<p>11</p>  <p>M6</p> <p>x 20</p>	<p>12</p>  <p>M6</p> <p>x 20</p>
<p>13</p>  <p>x 1</p>	<p>14</p>  <p>M6</p> <p>x 1</p>	<p>15</p>  <p>x 2</p>	<p>16</p>  <p>x 4</p>

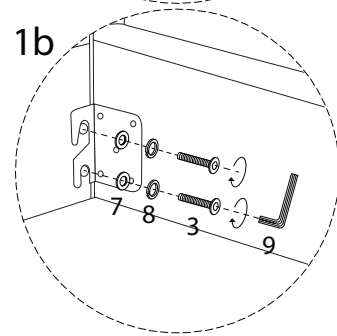
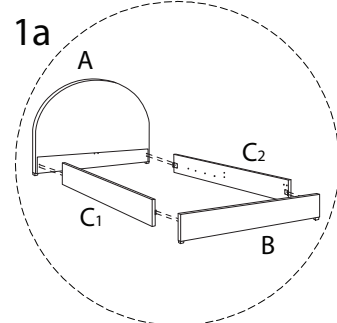
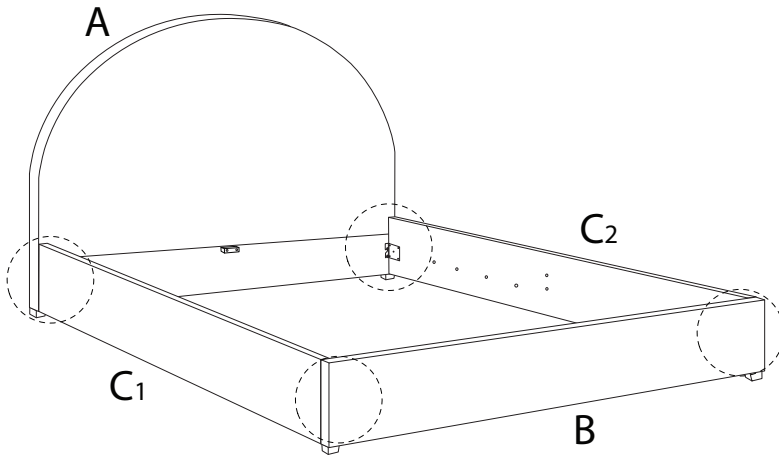
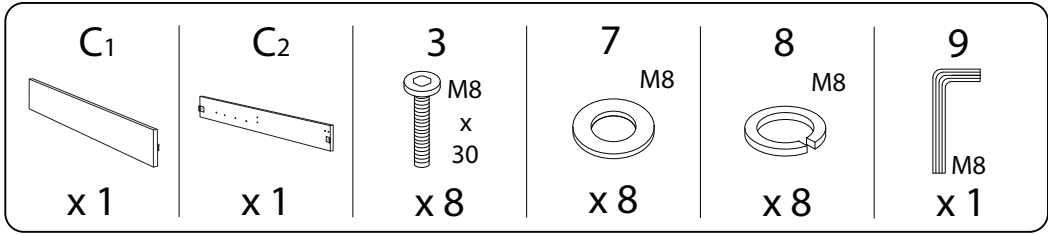
1



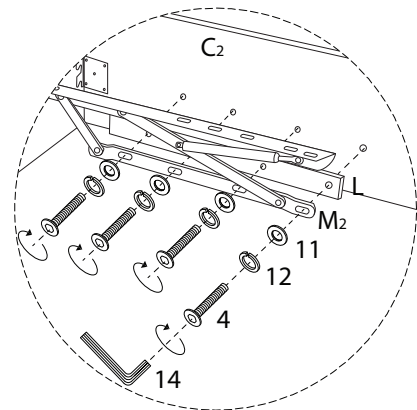
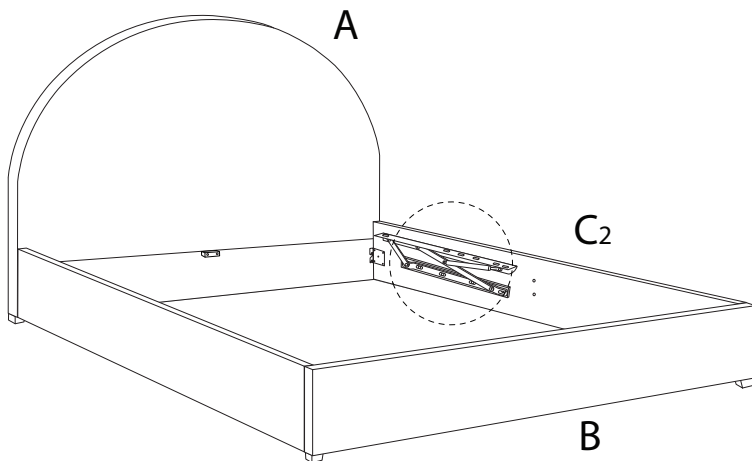
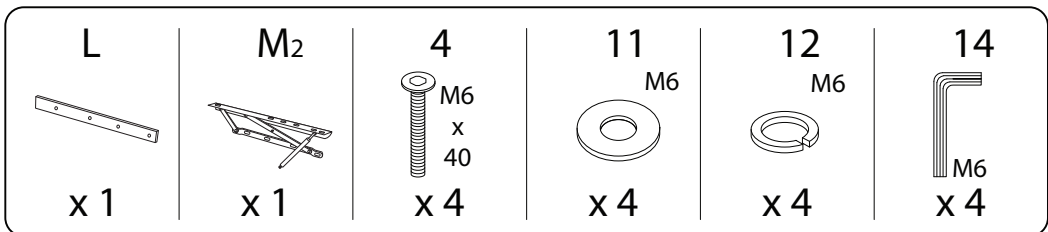
2



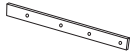
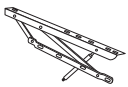
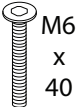


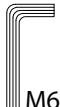
3

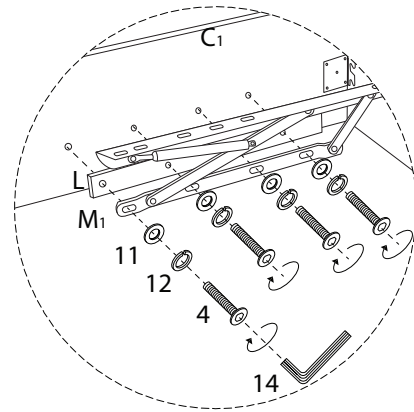
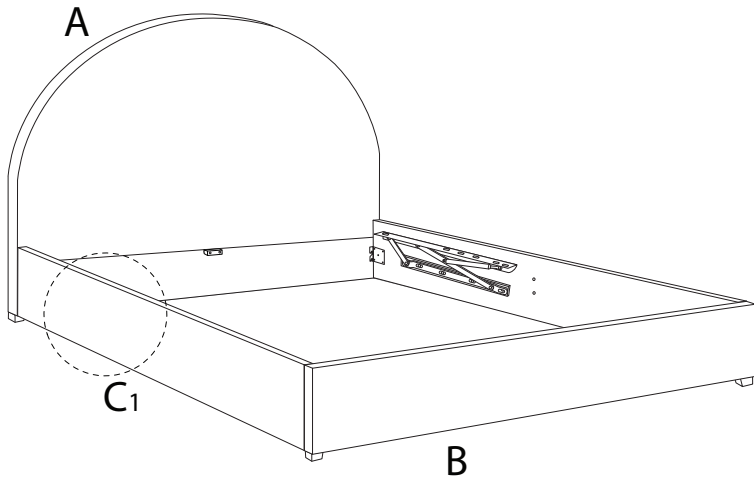


4

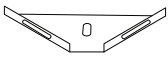

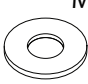

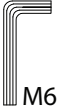


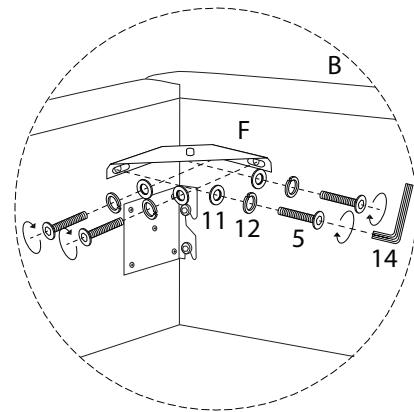
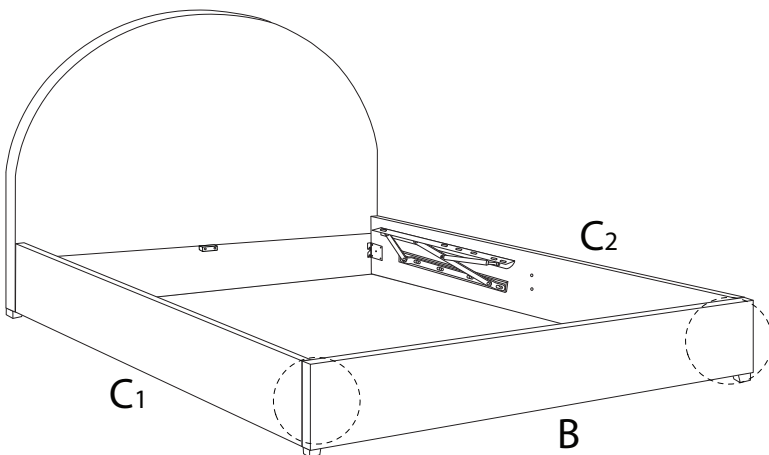
5

L	M ₁	4	11	12	14
					
x 1	x 1	x 4	x 4	x 4	x 1




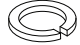
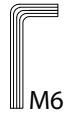


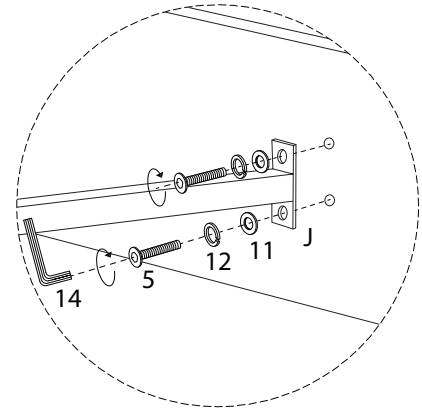
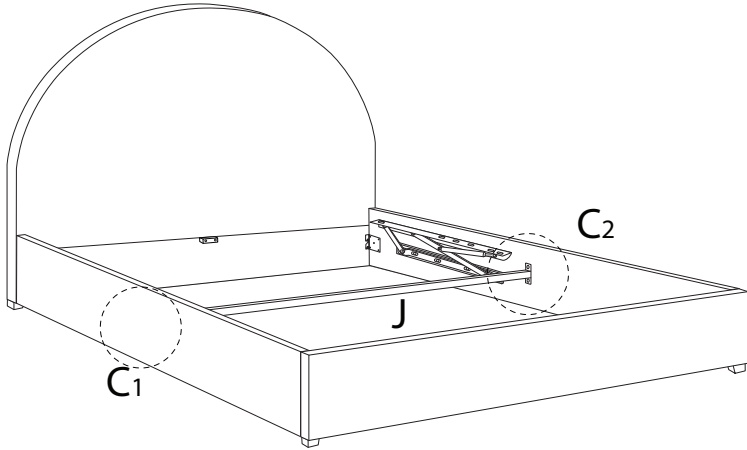
6

F	5	11	12	14
				
x 2	x 8	x 8	x 8	x 1

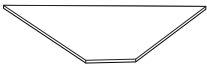


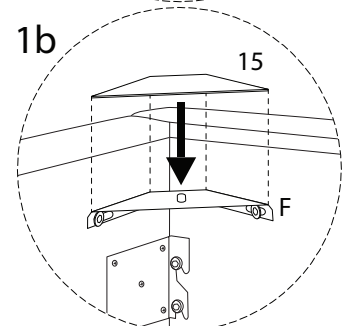
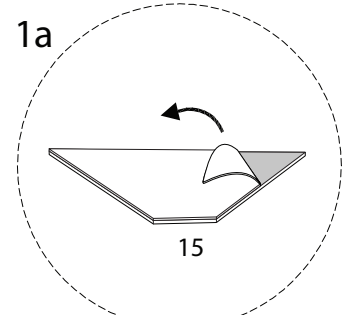
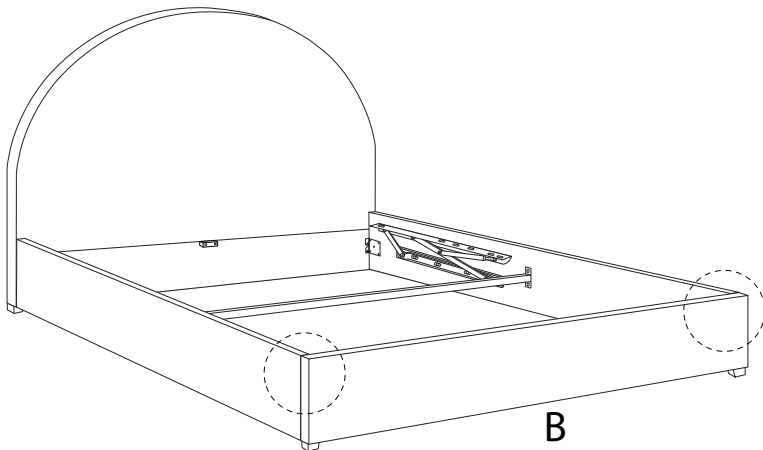
7

<p>J</p>  <p>x 1</p>	<p>5</p> <p>M6 x 20</p>  <p>x 4</p>	<p>11</p> <p>M6</p>  <p>x 4</p>	<p>12</p> <p>M6</p>  <p>x 4</p>	<p>14</p>  <p>M6 x 1</p>
-------------------------------------------------------------------------------------------------------	------------------------------------------------------------------------------------------------------------------------------	------------------------------------------------------------------------------------------------------------------	--------------------------------------------------------------------------------------------------------------------	-----------------------------------------------------------------------------------------------------------------

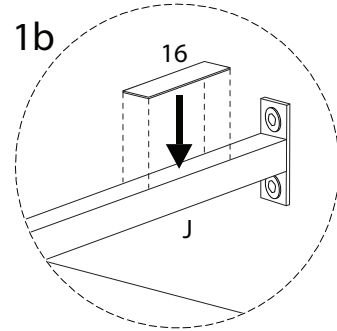
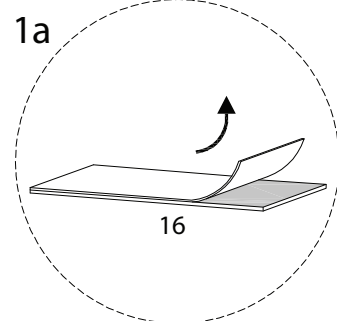
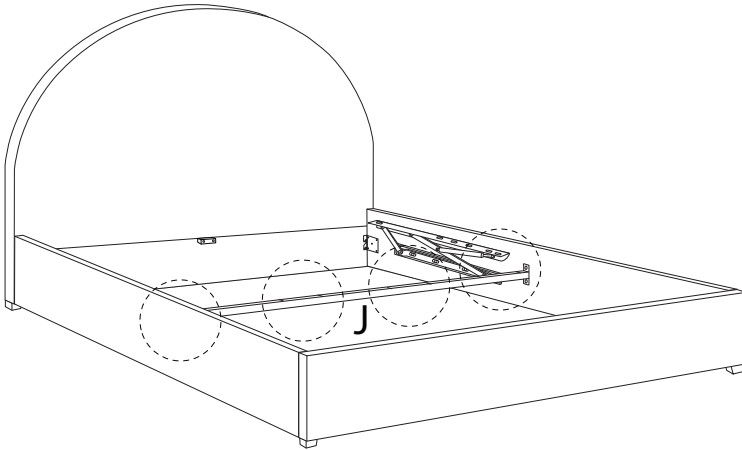
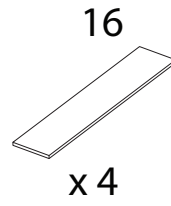


8

<p>15</p>  <p>x 2</p>

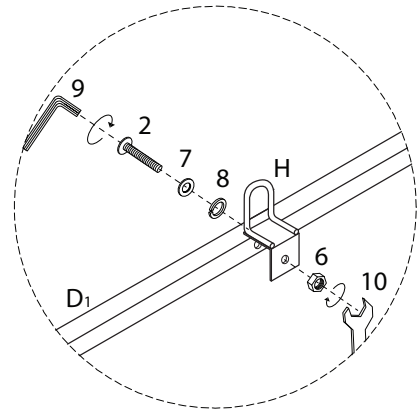
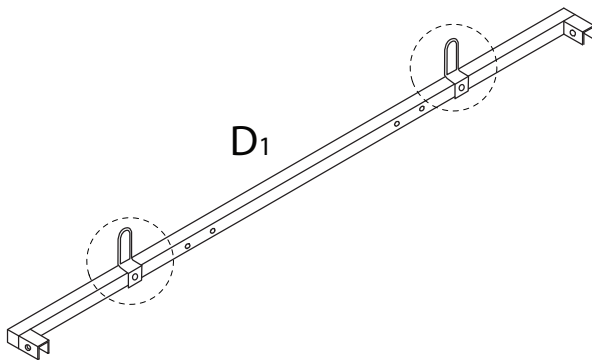


9

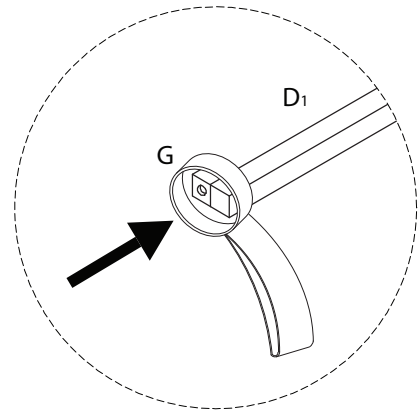
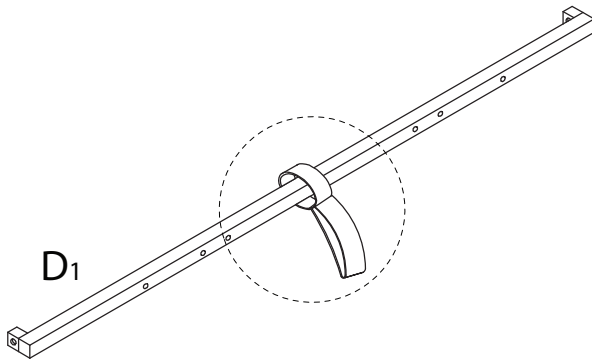


10

D ₁	H	2	6	7	8	9	10
x 1	x 2	x 2	x 2	x 2	x 2	x 1	x 1

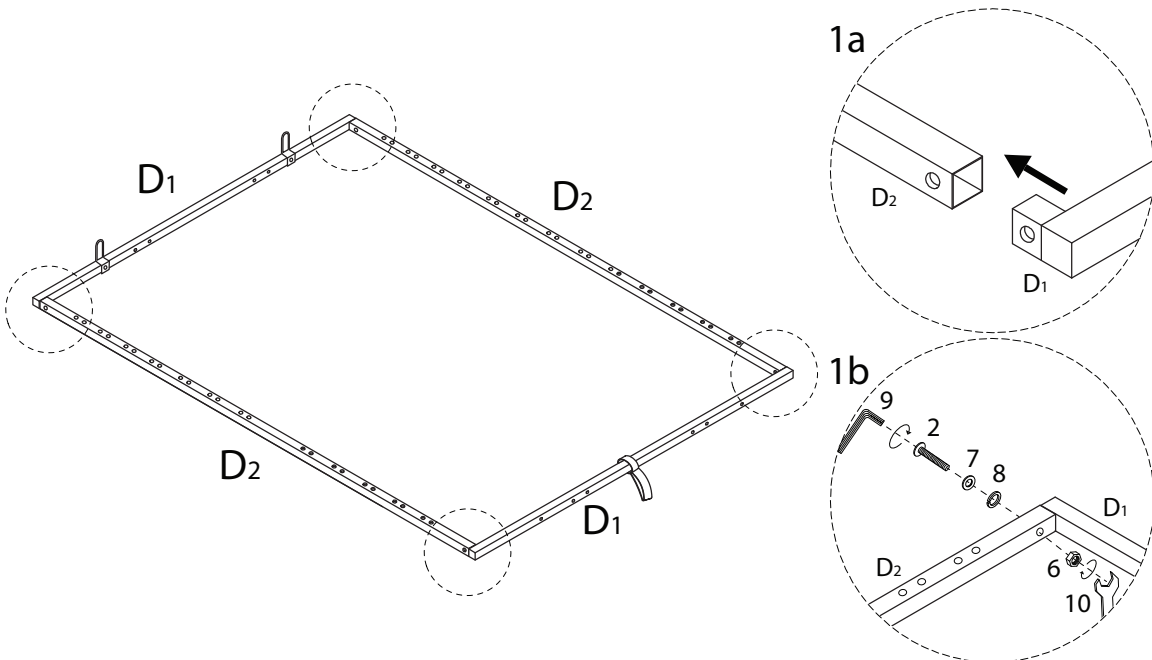


11


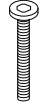
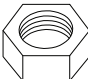

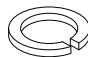
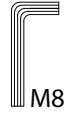
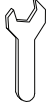


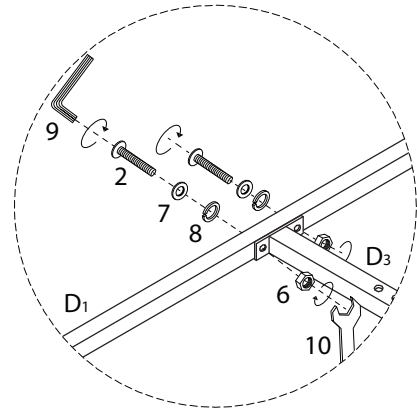
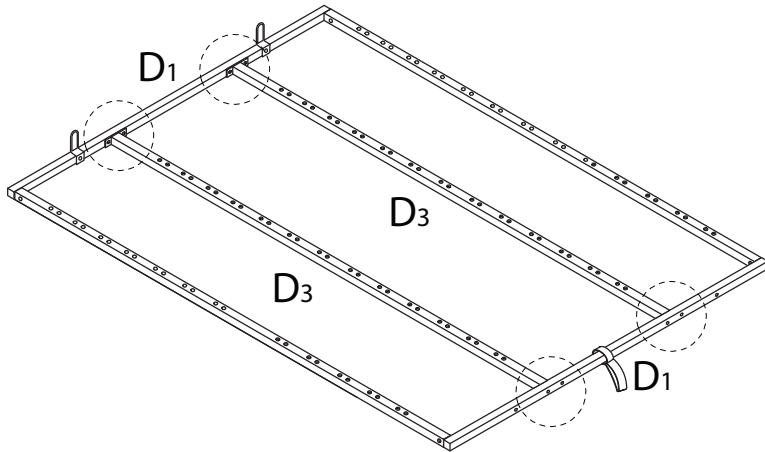
12

D2 x 2	2 M8 x 45 x 4	6 x 4	7 M8 x 4	8 M8 x 4	9 M8 x 1	10 x 1
---------------	------------------------	--------------	--------------------	--------------------	--------------------	---------------

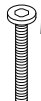
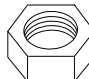


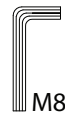



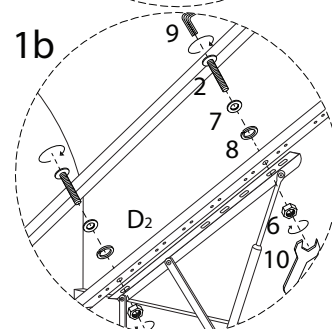
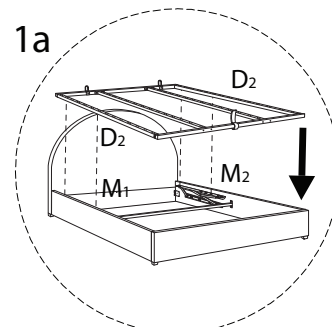
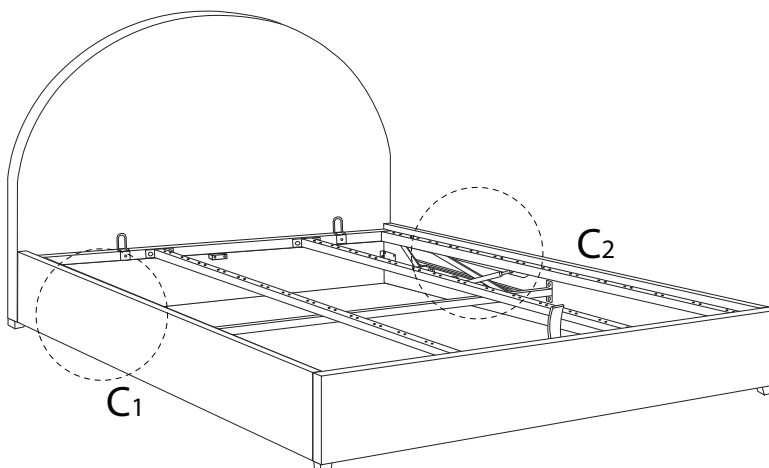
13

D ₃  x 2	2 M8 x 45  x 8	6  x 8	7 M8  x 8	8 M8  x 8	9 M8  x 1	10  x 1
------------------------------------------------------------------------------------------------------------	-------------------------------------------------------------------------------------------------------------	-----------------------------------------------------------------------------------------------	-----------------------------------------------------------------------------------------------------	------------------------------------------------------------------------------------------------------	-------------------------------------------------------------------------------------------------------	--------------------------------------------------------------------------------------------------

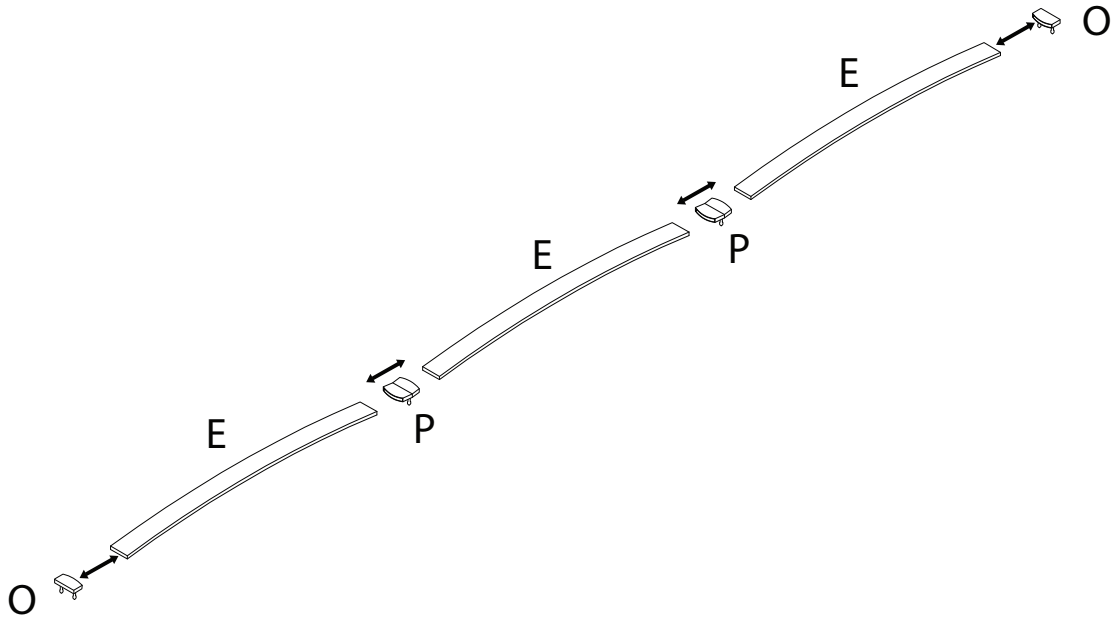
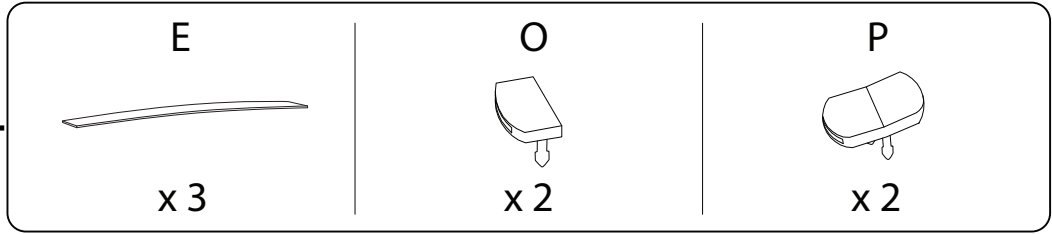


14

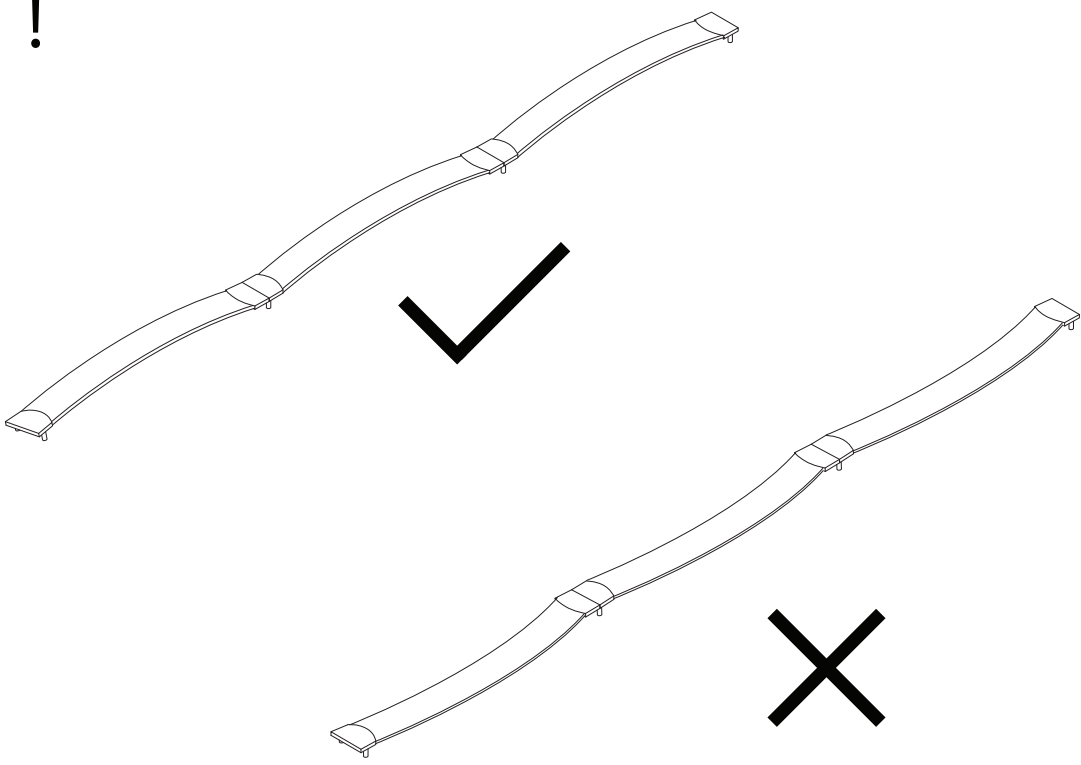
2 M8 x 45  x 4	6  x 4	7 M8  x 4	8 M8  x 4	9 M8  x 1	10  x 1
---------------------------------------------------------------------------------------------------------------	-------------------------------------------------------------------------------------------------	-------------------------------------------------------------------------------------------------------	--------------------------------------------------------------------------------------------------------	---------------------------------------------------------------------------------------------------------	----------------------------------------------------------------------------------------------------



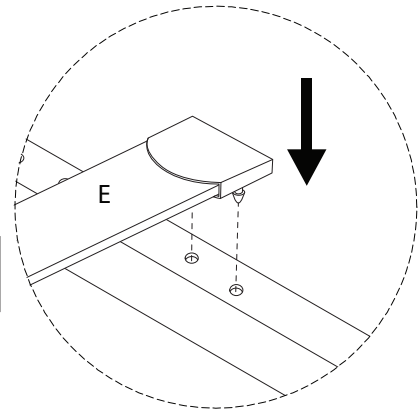
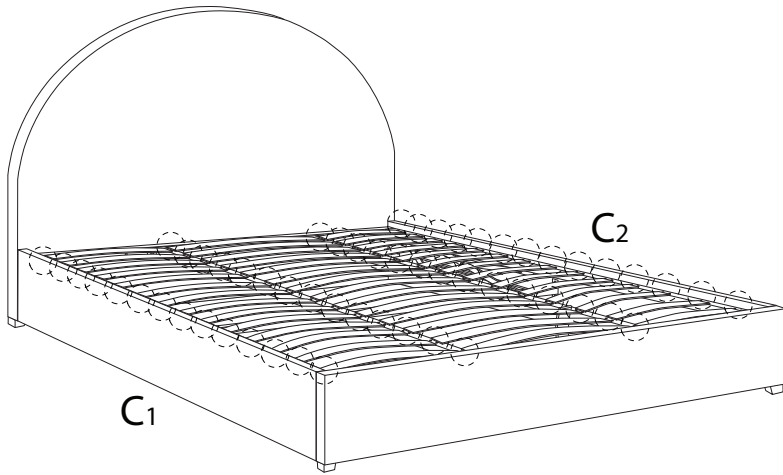
15 x 14



!

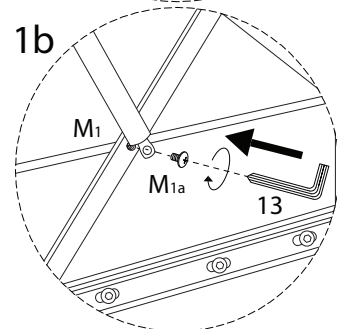
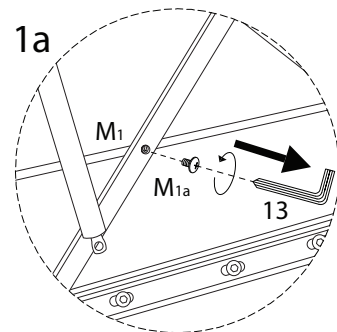
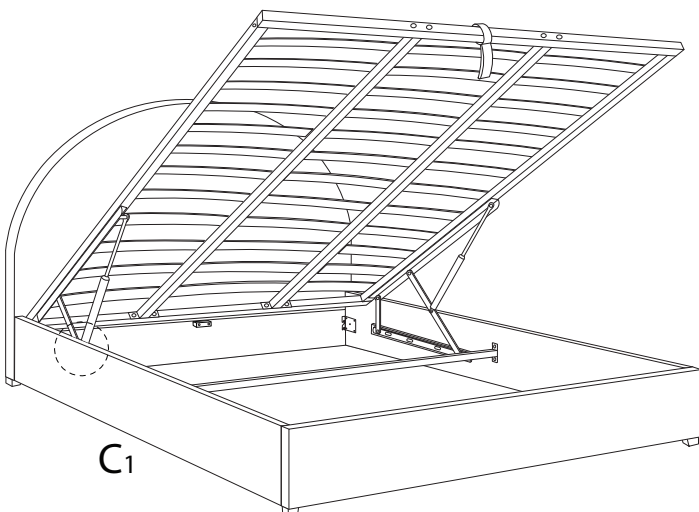


16



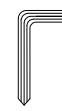
17

13
x 1

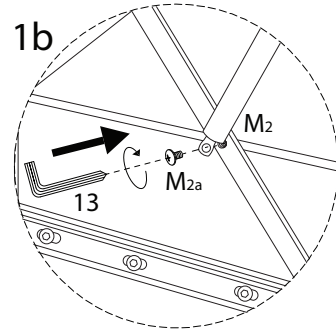
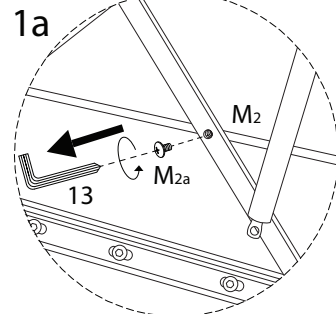
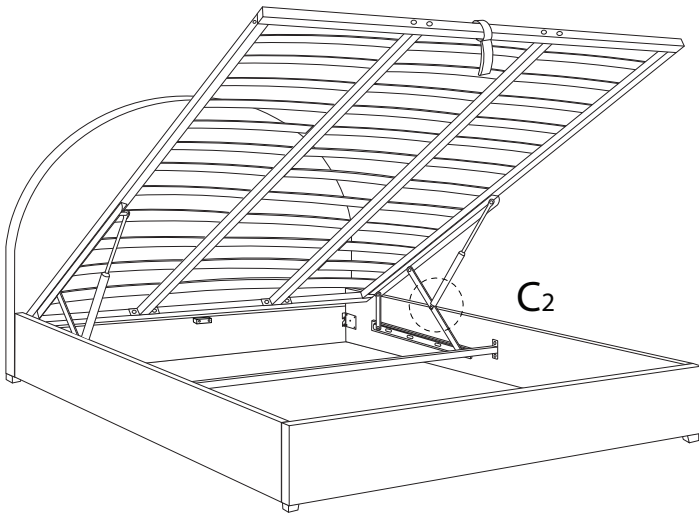


18

13

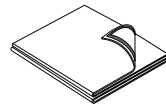


x 1



19

N



x 1

