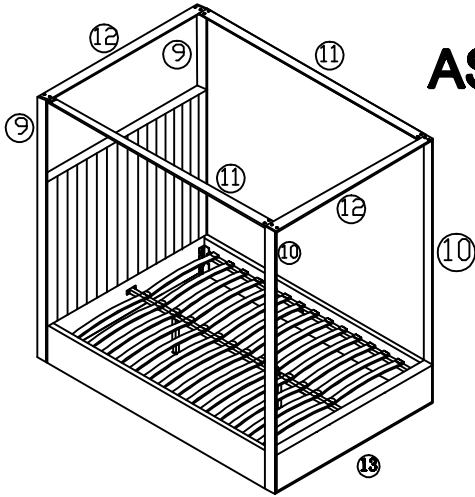


# ASSEMBLY INSTRUCTIONS

## bed - queen

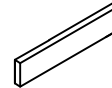


### + Parts Included

① Head Board (1pc)



② Foot Board (1pc)



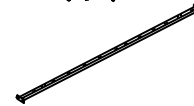
③ Side Rails (2pcs)



④ Double Plastic cap (15pcs)



⑤ Center Support Bar (1pc)



⑥ Support Legs (2pcs)



⑦ Slats (30pcs)



⑧ Single Plastic cap (30pcs)



⑨ - Metal bar (2pcs)

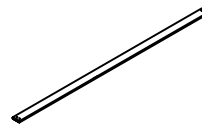


⑩ - Metal bar (2pcs)



\*Slats come packed in the bottom of headboard carton.

⑪ - Metal bar (2pcs)



⑫ - Metal bar (2pcs)



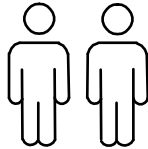
⑬ - Metal bar (1pc)



+ Do Not Use Power Tools



+ Suggested Adults



### NOTE:

- 1 Read instructions cover to cover.
- 2 Save all packaging until assembly is completed.

### 1 IMPORTANT SAFETY INFORMATION

Do not assemble the product if any of the following parts arrived damaged:

- Part #③ -Side Rails
- Part #⑤ -Center Support Bar
- Part #⑥ -Support Legs
- Part #⑦ -Slats

### 2 IMPORTANT ASSEMBLY INFORMATION

Assembly Step ③ Ensure the side rail bracket is fully hooked onto bolt A loosely threaded with both washers on the OUTSIDE of the bracket first, then proceed to fully tightening all 4 corners.

Assembly Step ⑨ When installing slats, ensure that the curve is facing upwards. (→) (↘)  
\*Slats come packed in the bottom of headboard carton.

### + Hardware Included

A Bolt M8\*30mm (24pcs) B Bolt M8\*20mm (20pcs) C Nut M8\*13mm (14pcs)



D Spring Washer (16pcs)



E flat washer 10x20mm (44pcs)



F M8 Allen Key 1pc



G Spanner 1pc



H M8\*82mm 6pcs



I flat washer 10x25mm (10pcs)



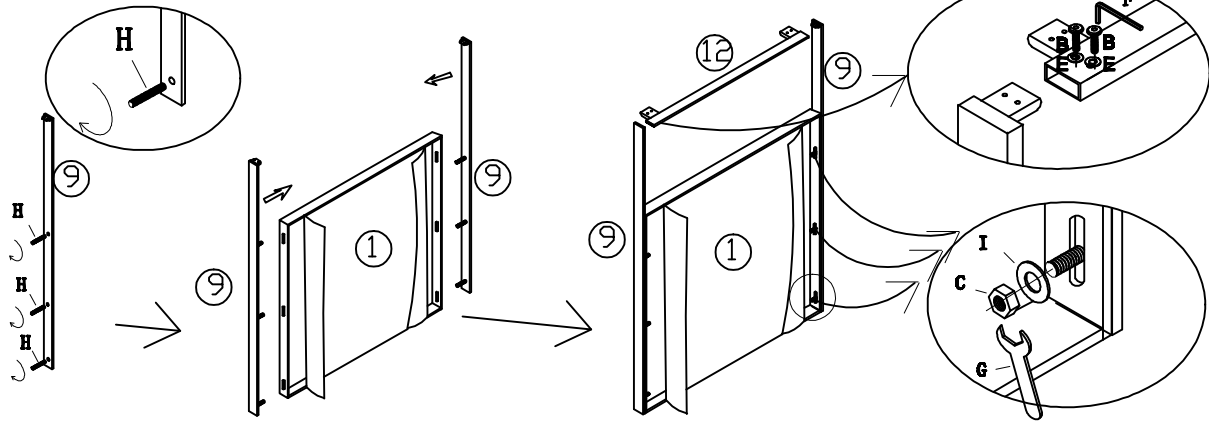
J M8\*125mm 4pcs



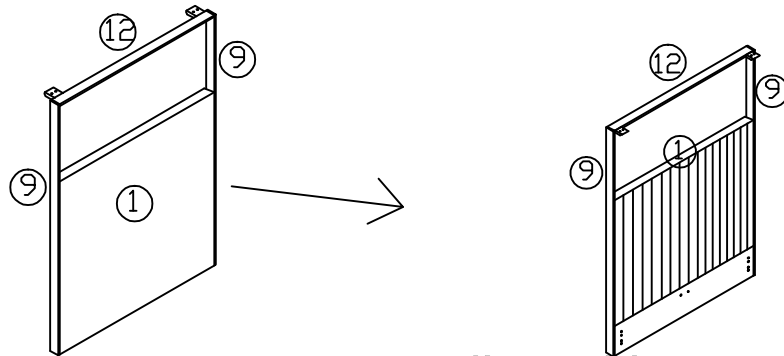
# ASSEMBLY INSTRUCTIONS

## bed - queen

STEP 1:

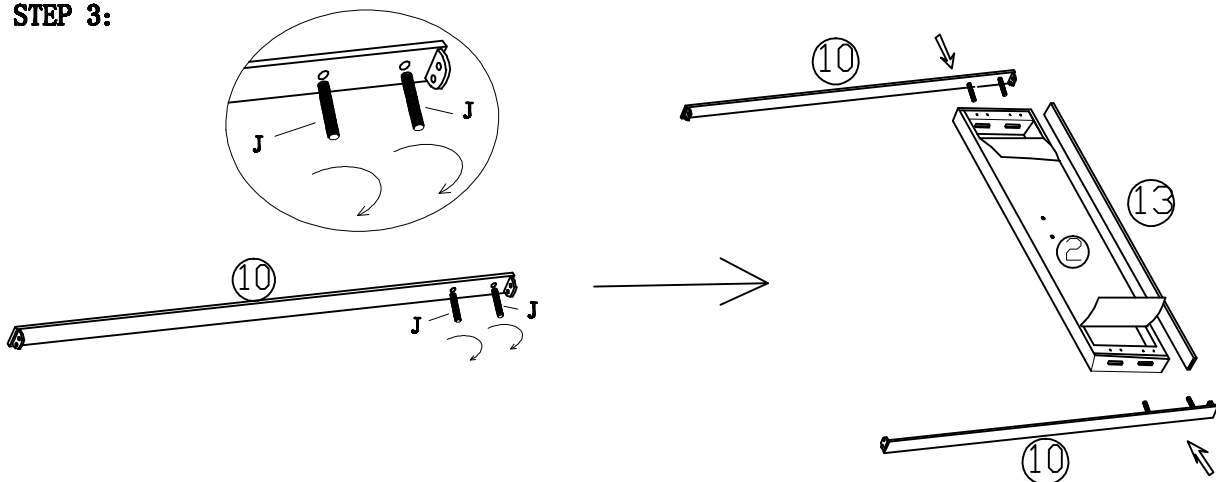


STEP 2:



Headboard is assembled

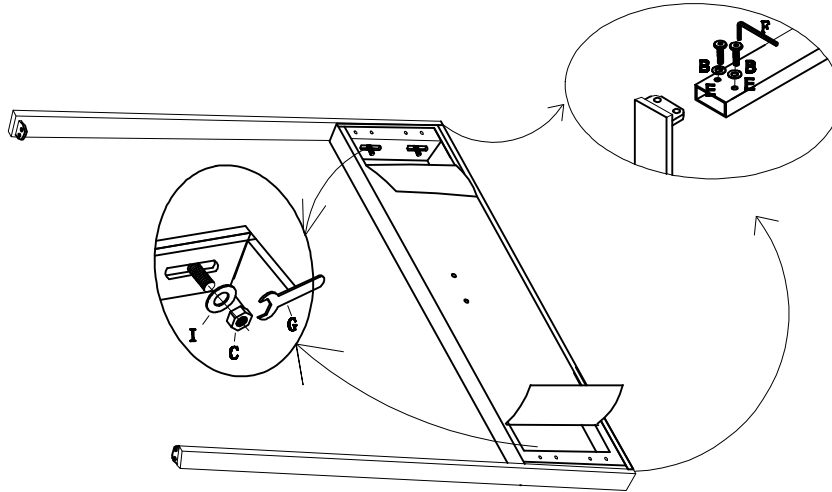
STEP 3:



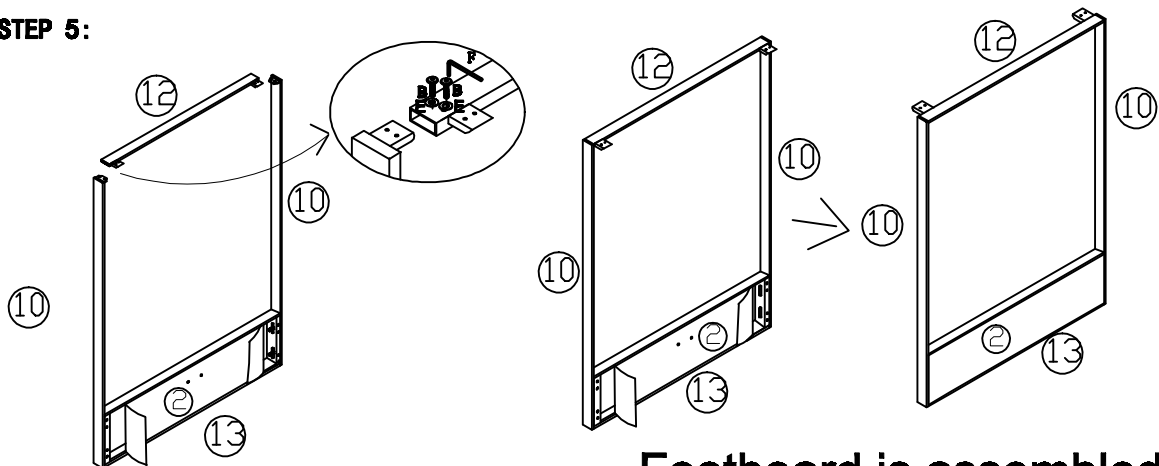
# ASSEMBLY INSTRUCTIONS

## bed - queen

STEP 4:

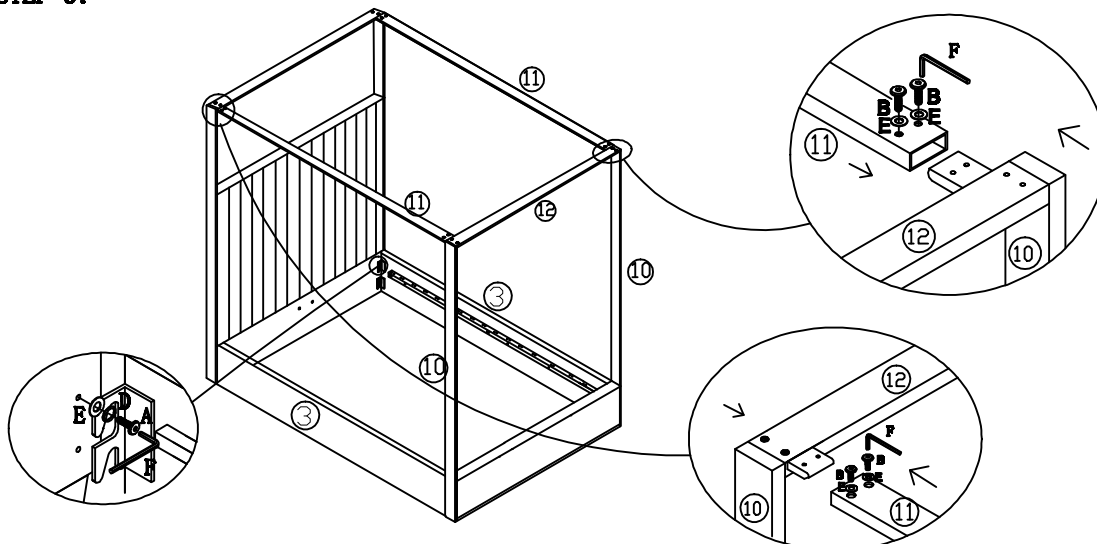


STEP 5:



Footboard is assembled

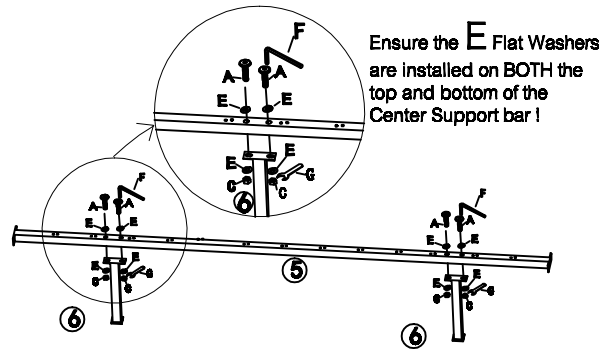
STEP 6:



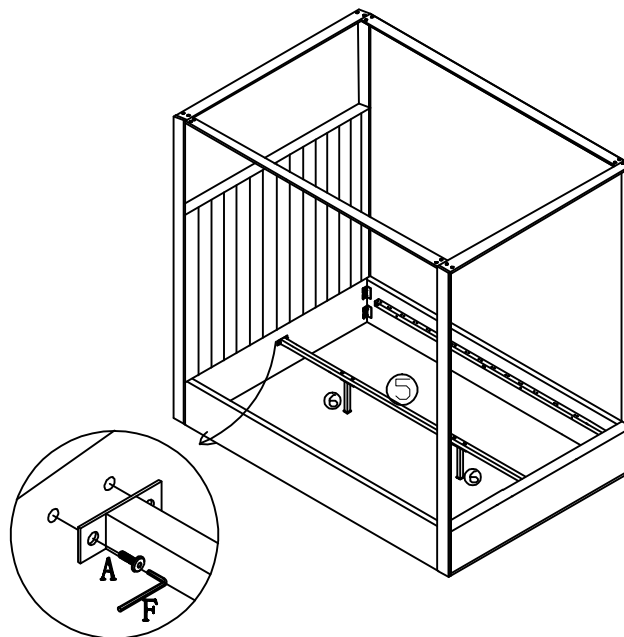
# ASSEMBLY INSTRUCTIONS

## bed - queen

**STEP 7:**

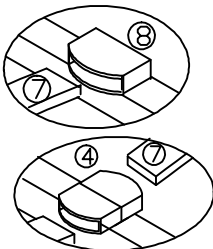


**STEP 8:**



**STEP 9:**

When installing slats, ensure that the curve is facing upwards. (✓) (✗)



packed in the bottom of headboard carton.

