

D-7MC-60IN-WT

Assembly Instructions



EST 9:00AM--17:00PM



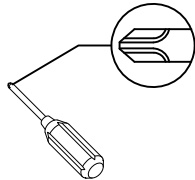
HJ-Customer-Service@outlook.com



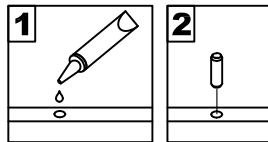
(909)637-7665 | (909)637-7593

General Assembly Guidelines

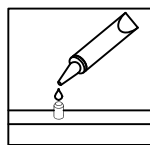
- I. Ensure that all parts and hardware are available before beginning assembly.
- II. Follow each step carefully to ensure the proper assembly of this product.
- III. Two people are recommended for ease in the assembly of this product.
- VI. A Phillips head screwdriver is required for the assembly of this product .



- V. The provided glue is to secure wood dowels in place . When first inserting dowels , locate the appropriate hole for the dowel , place a small amount of glue in the hole and insert the dowel . Wipe away excess glue immediately.

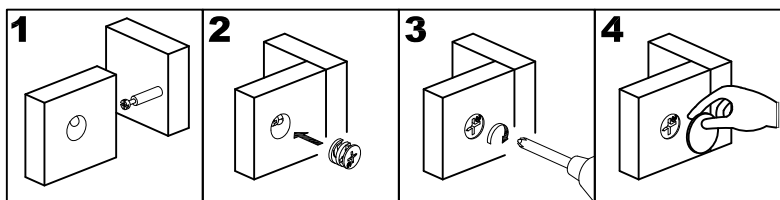


In future assembly steps when dowels are necessary to attach assembly parts together , place a small amount of glue on the end of the dowel before attaching parts together . Wipe away excess glue immediately.

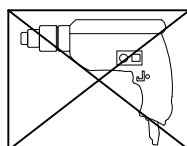


VI. HOW THE KNOCK DOWN (KD) ASSEMBLY SYSTEM WORKS

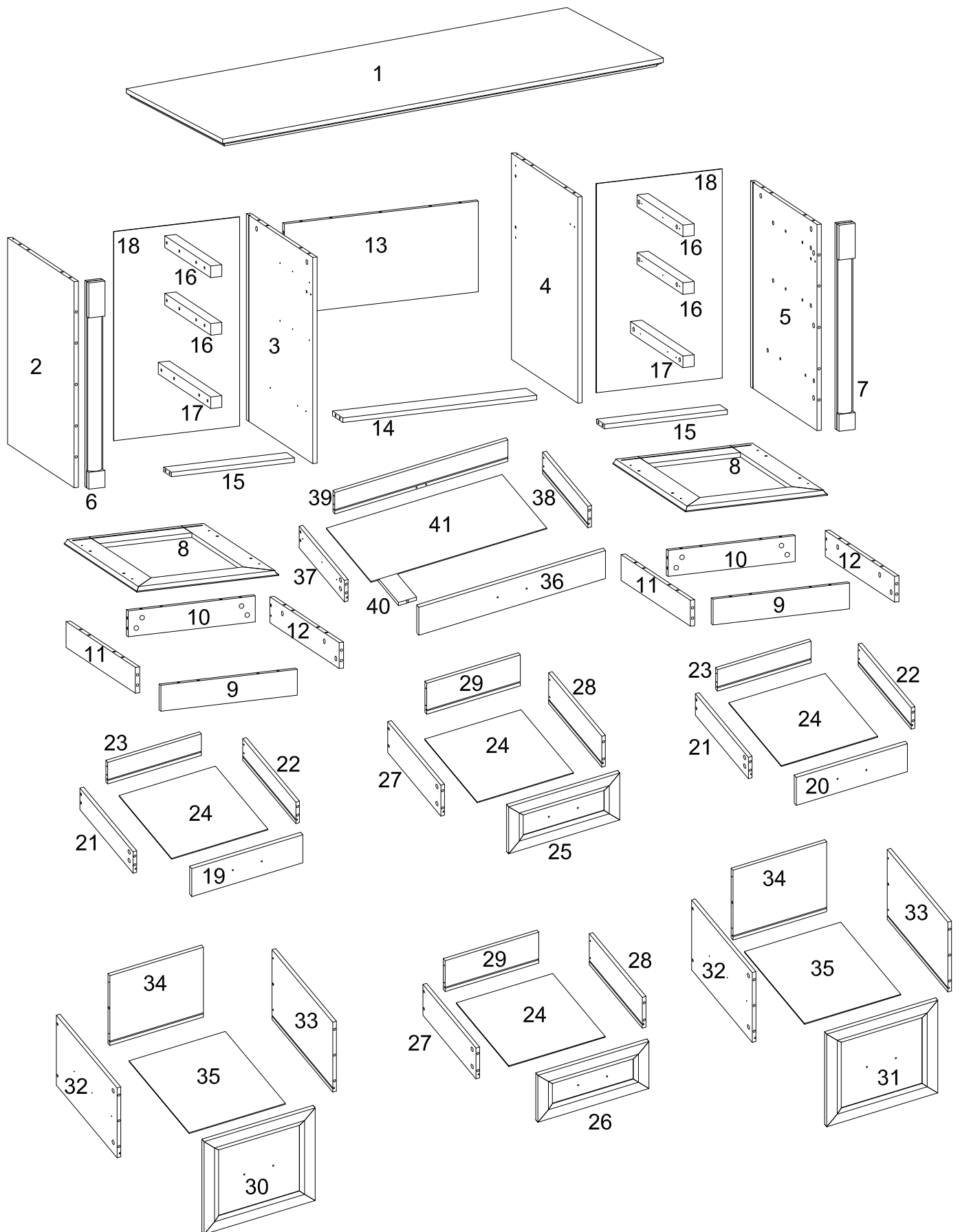
- 1.Screw the Cam Bolt into the pre-drilled hole on the panel. Make sure Cam Bolt goes into the pre-drilled hole on the end of panel for Cam Lock.
- 2.Insert the Cam Lock into the pre-drilled large hole on the panel. Make sure the arrow on the face of Cam Lock points towards Cam Bolt.
- 3.Take a Phillips screwdriver and rotate the Cam Lock clockwise to lock the Cam Bolt.
- 4.Use the sticker to conceal the Cam.




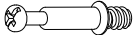


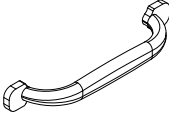



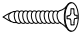

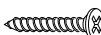


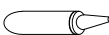


- VII. Power tools should not be used to assemble this product .

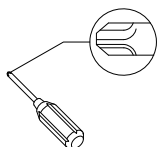


Parts List





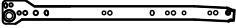
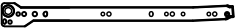


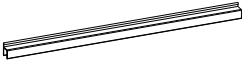

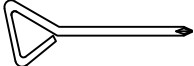
Hardware List

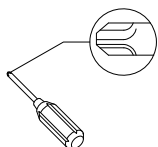
A		Ø8x30mm	Dowel	72 pcs
B		Ø6x35mm	Cam Bolt	82 pcs
C		Ø15x12mm	Cam Lock	53 pcs
D		Ø15x10mm	Cam Lock (Small)	29 pcs
E			Handle	7 pcs
F		Ø4x9mm	Handle bolt	8 pcs
G		Ø4x19mm	Handle bolt	6 pcs
H		M4	Allen Wrench	1 pcs
I		Ø3x12mm	Screw	48 pcs
J		Ø3x12mm	Screw	36 pcs
K		Ø4x38mm	Screw	38 pcs
L		1/4x40mm	Bolt	12 pcs
M			Flat washer	12 pcs
N			Glue Tube	2 pcs
O			Plastic Wedge	20 pcs
P		Ø3x17mm	Flat-head Screw	20 pcs



Philips head screwdriver required for assembly
(not included)

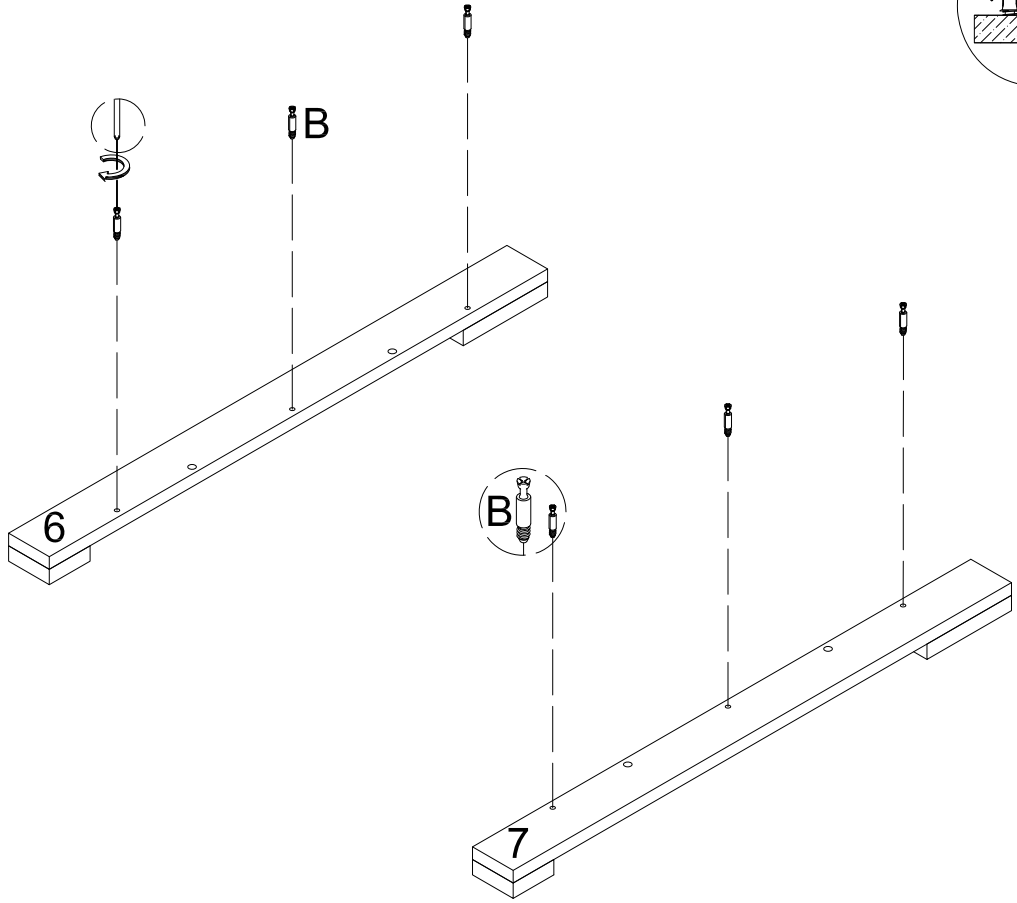
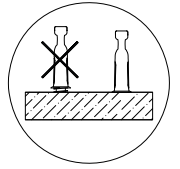
Hardware List

Q		14"	Drawer Slider	2 set
R		12"	Drawer Slider	1 set
S		14"	Left cabinet member	4 pcs
T		14"	Right cabinet member	4 pcs
U		14"	Left drawer runner	4 pcs
V		14"	Right drawer runner	4 pcs
W			File rail	4 pcs
X		Ø25mm	Cover	29 pcs
Y			Screw driver	1 pc



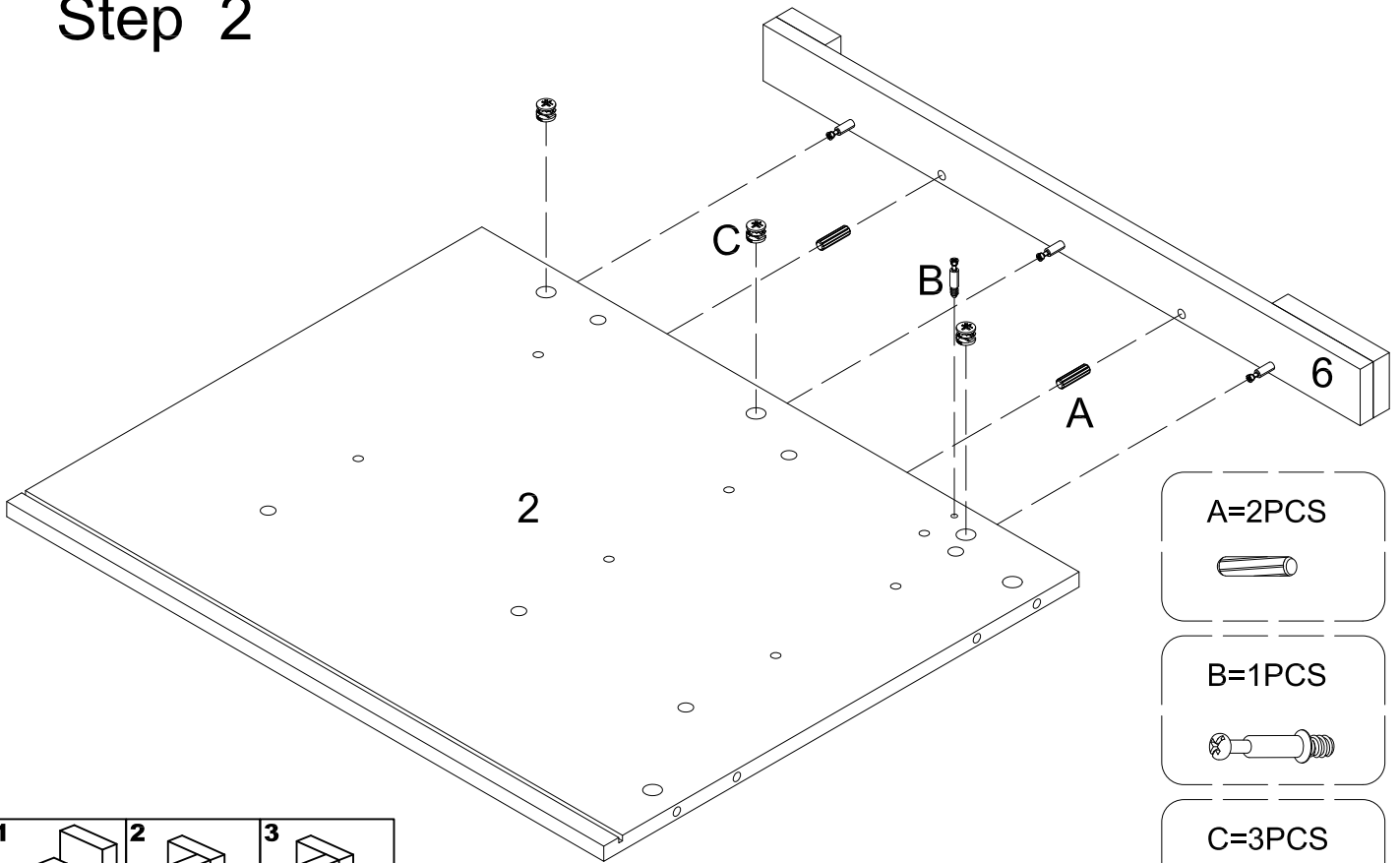
Philips head screwdriver required for assembly
(not included)

Step 1



B=6PCS

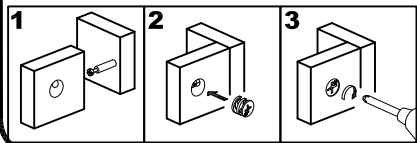
Step 2



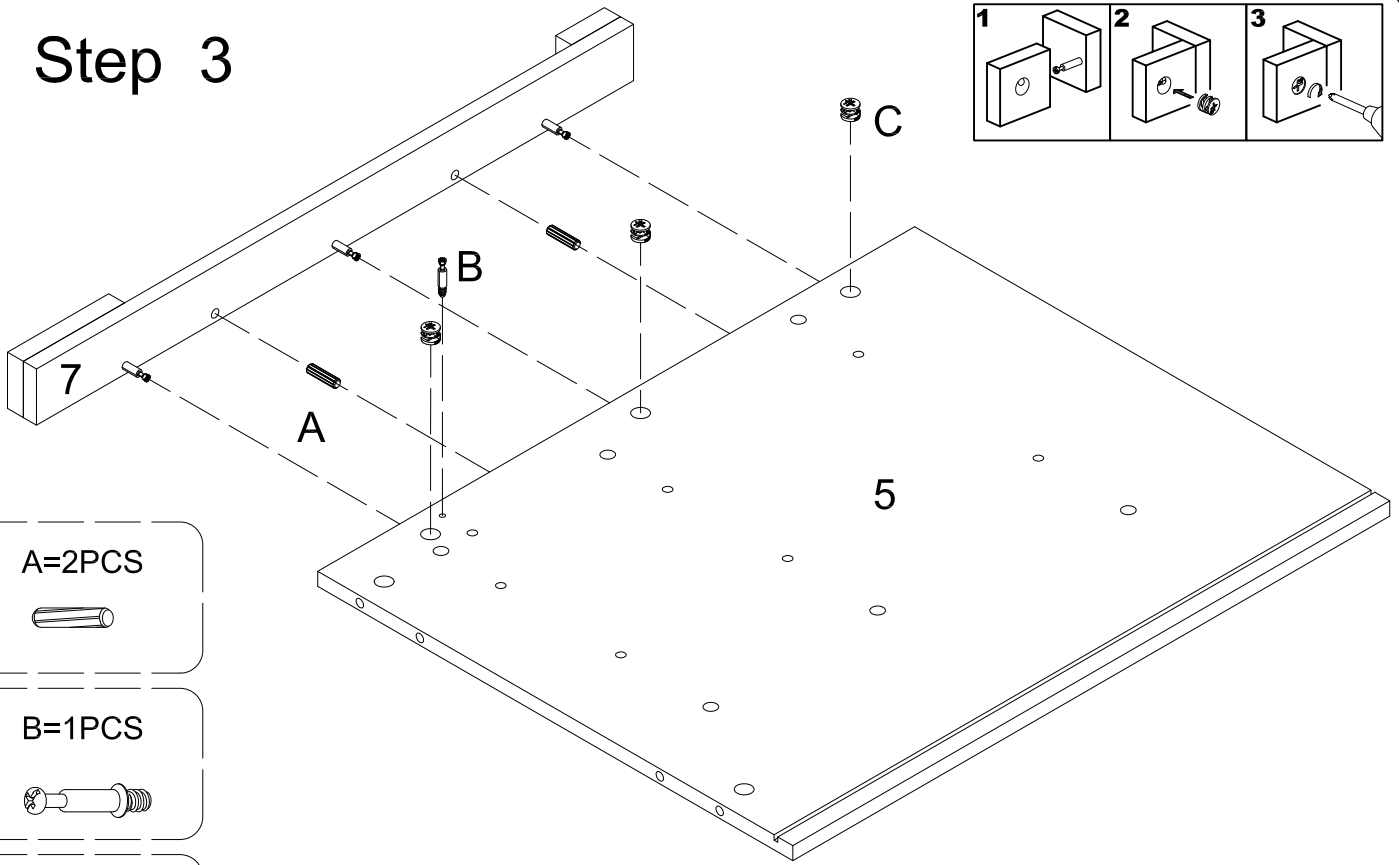
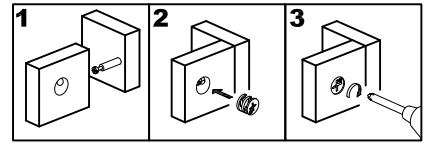
A=2PCS

B=1PCS

C=3PCS



Step 3

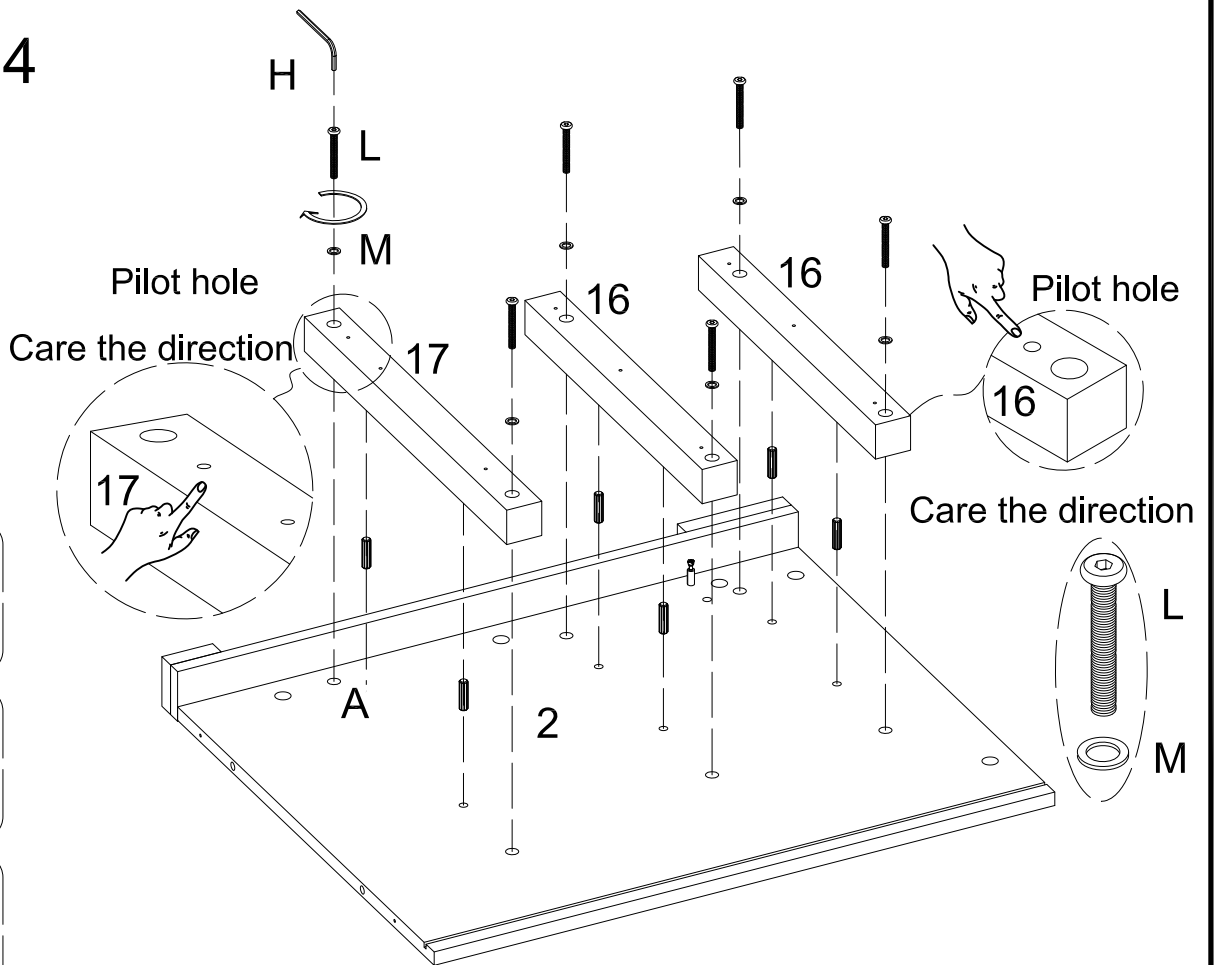


A=2PCS

B=1PCS

C=3PCS

Step 4

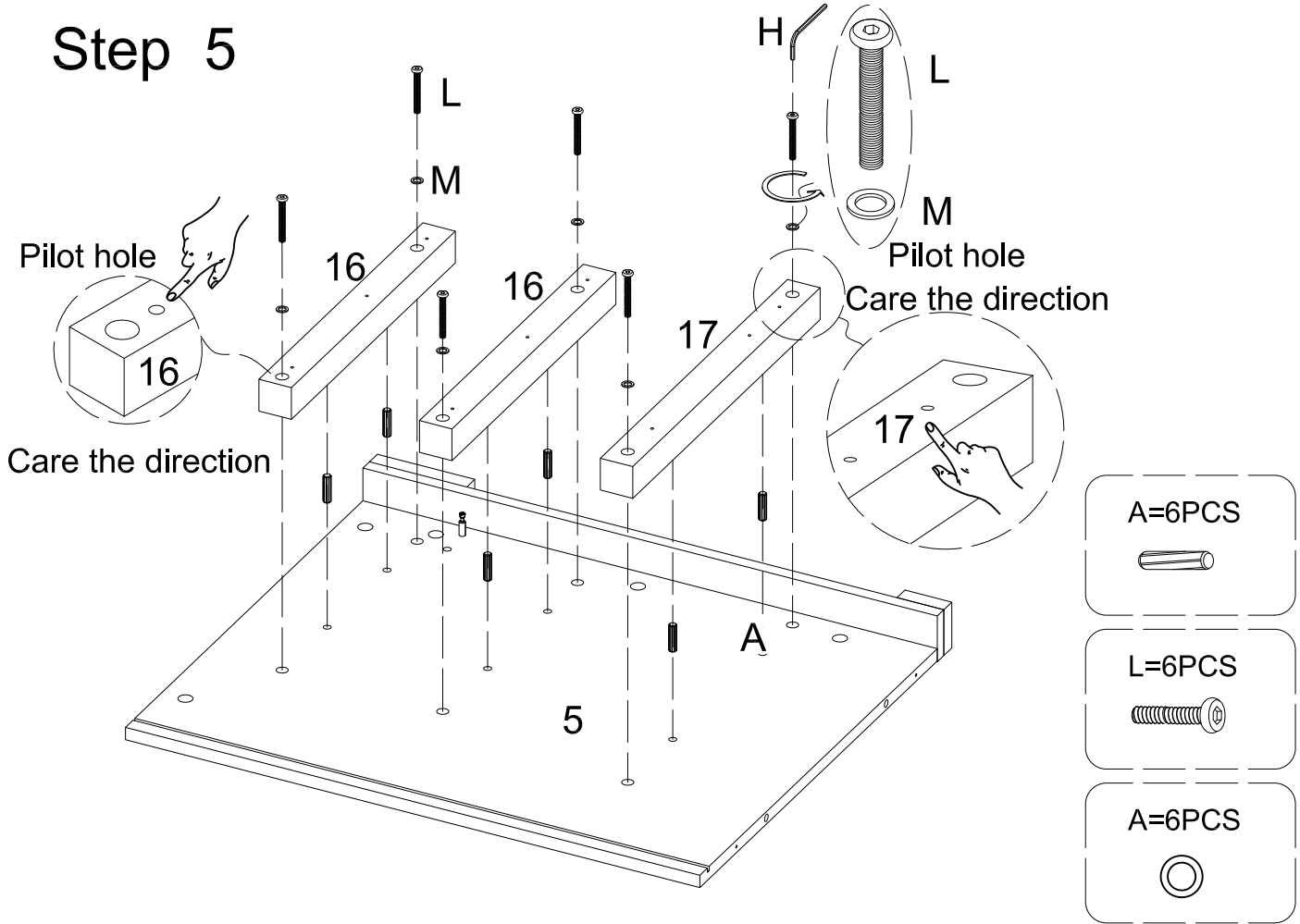


A=6PCS

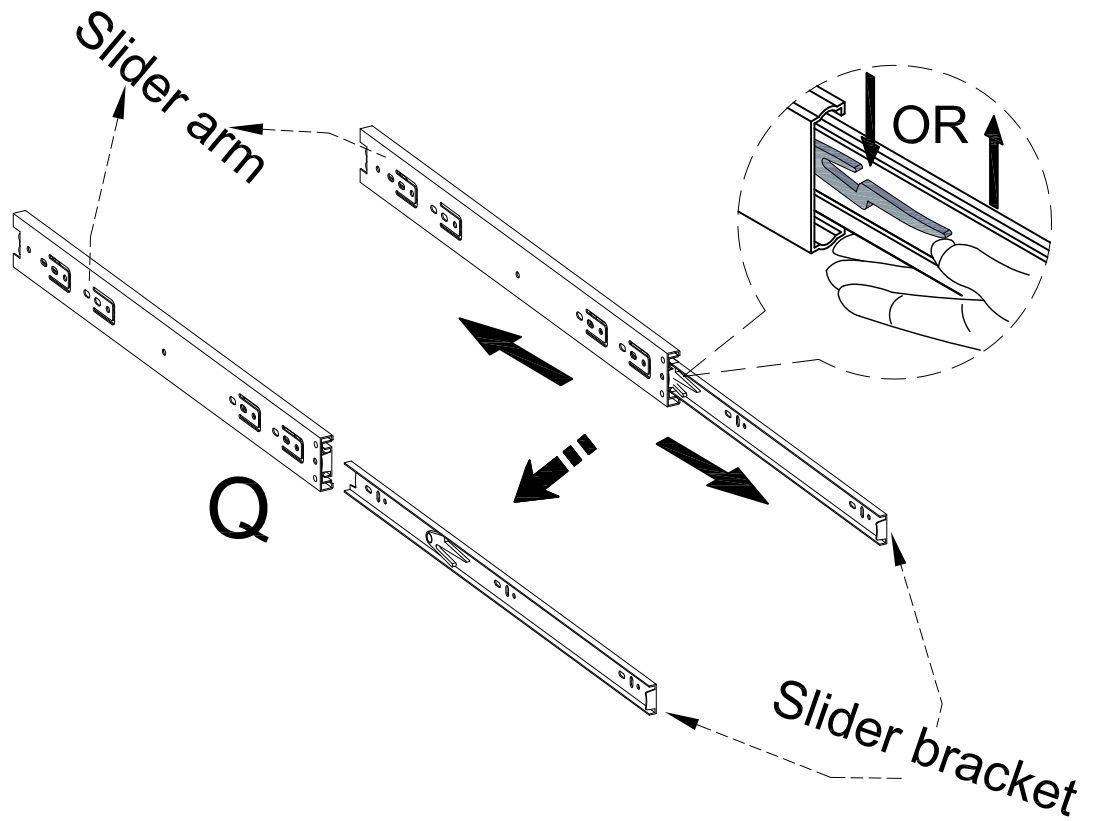
L=6PCS

A=6PCS

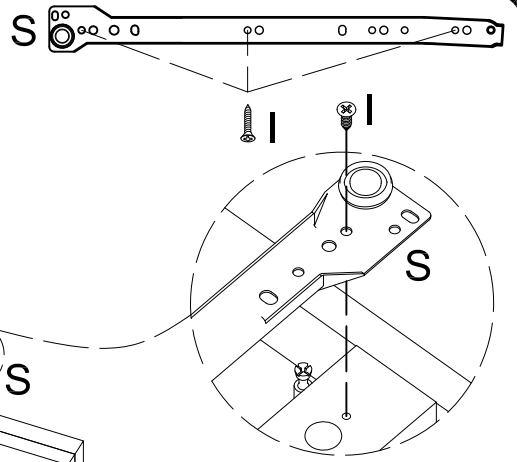
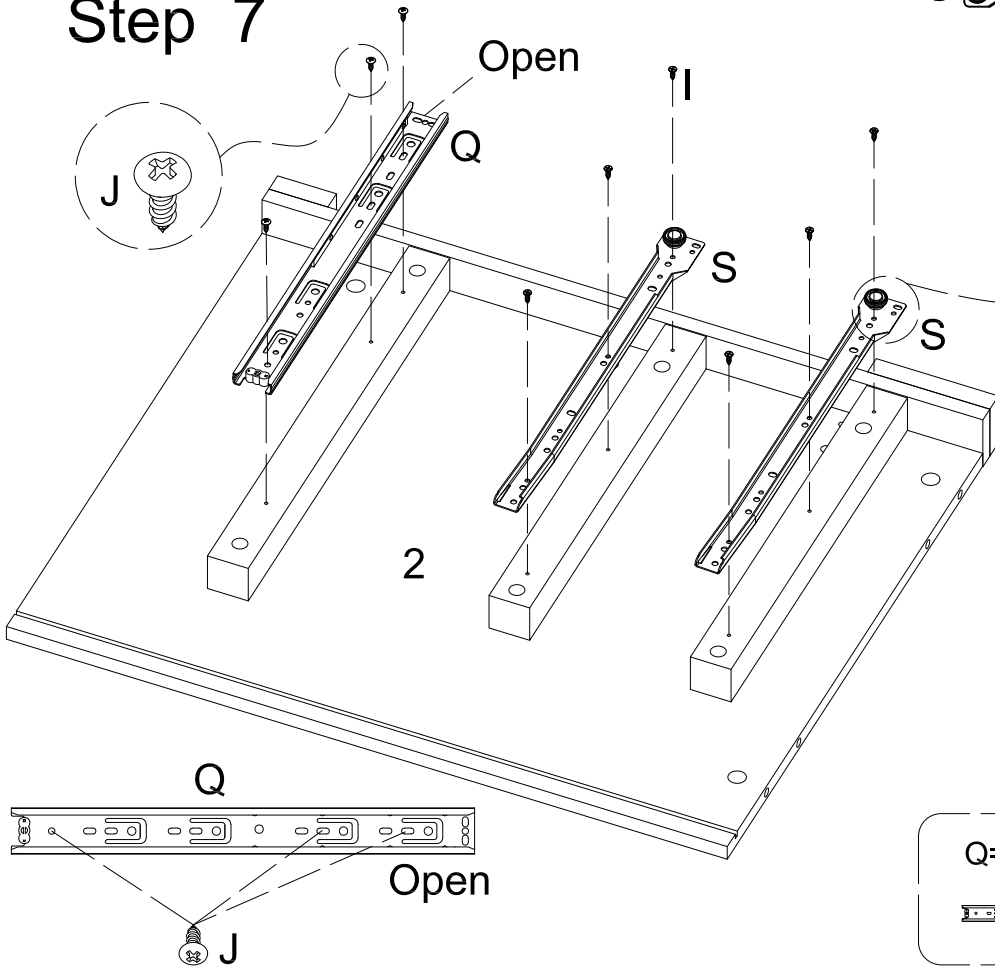
Step 5



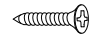
Step 6




Step 7




I=6PCS



J=3PCS



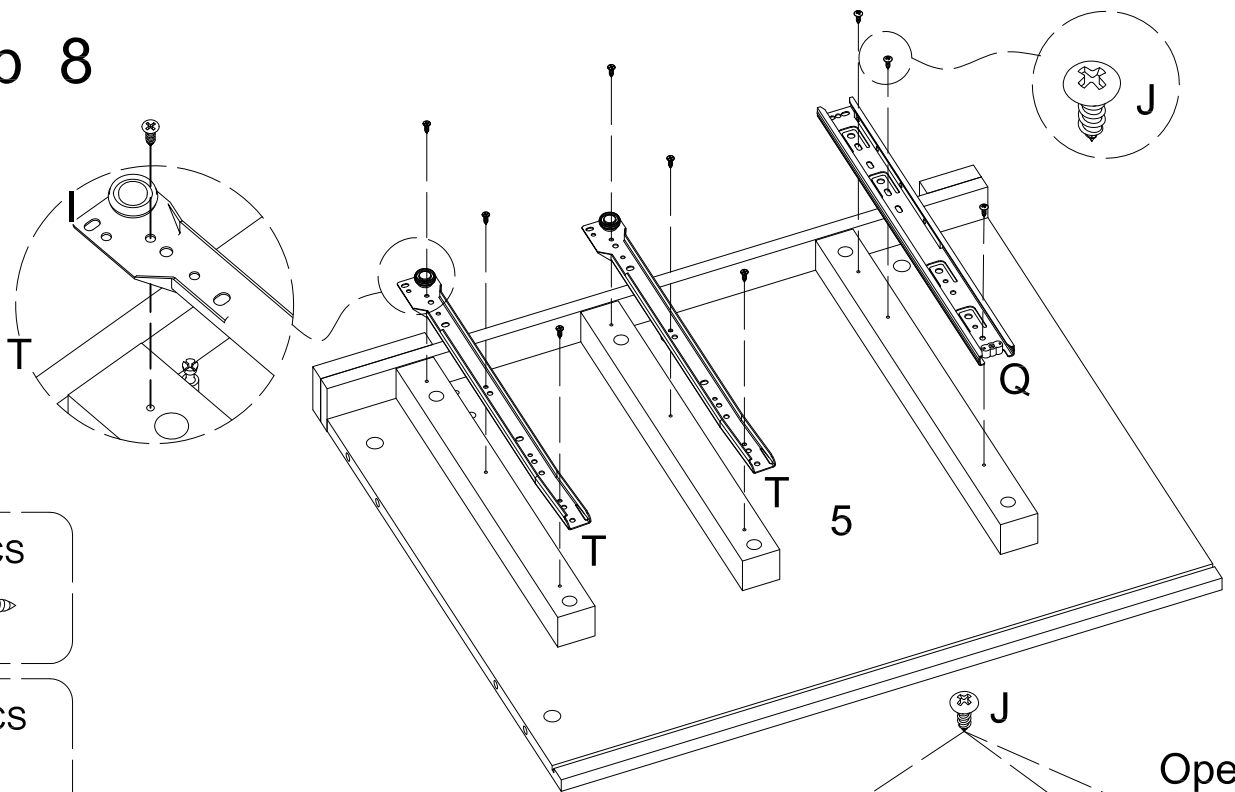
Q=1PCS(Q)




S=2PCS




Step 8




I=6PCS



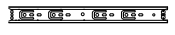
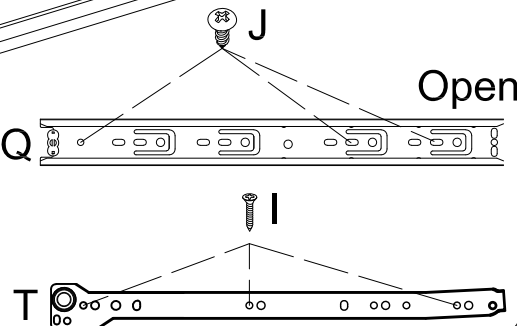
J=3PCS



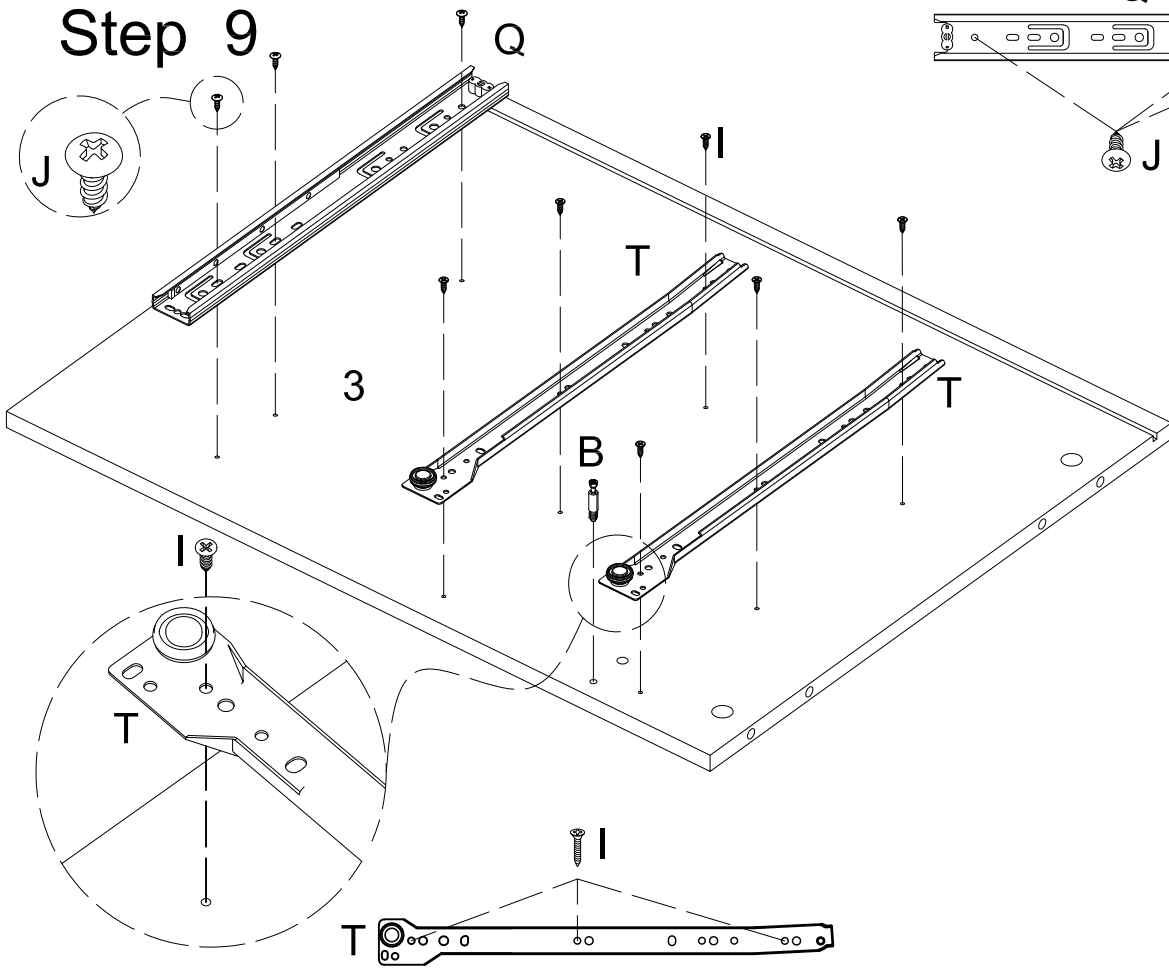
T=2PCS



Q=1PCS(Q)

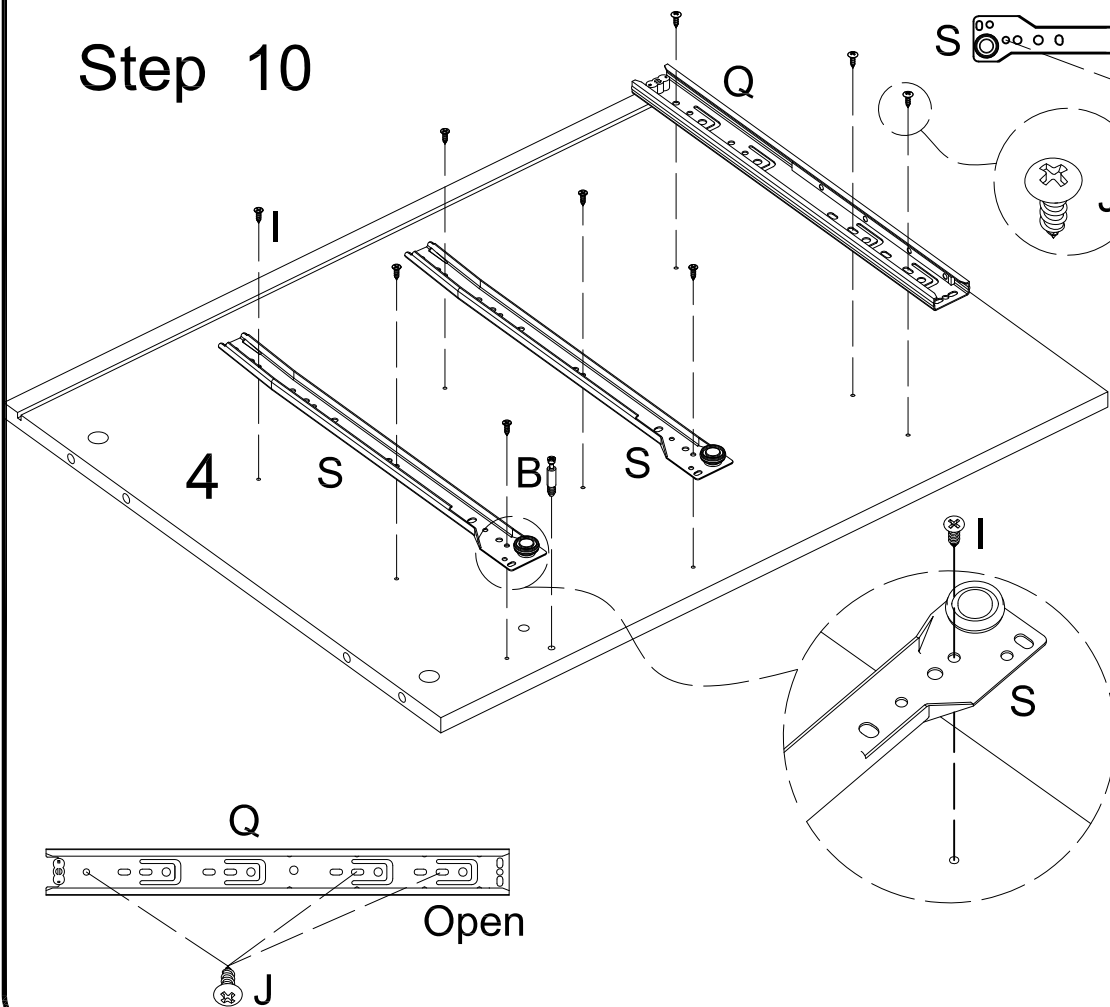



Step 9



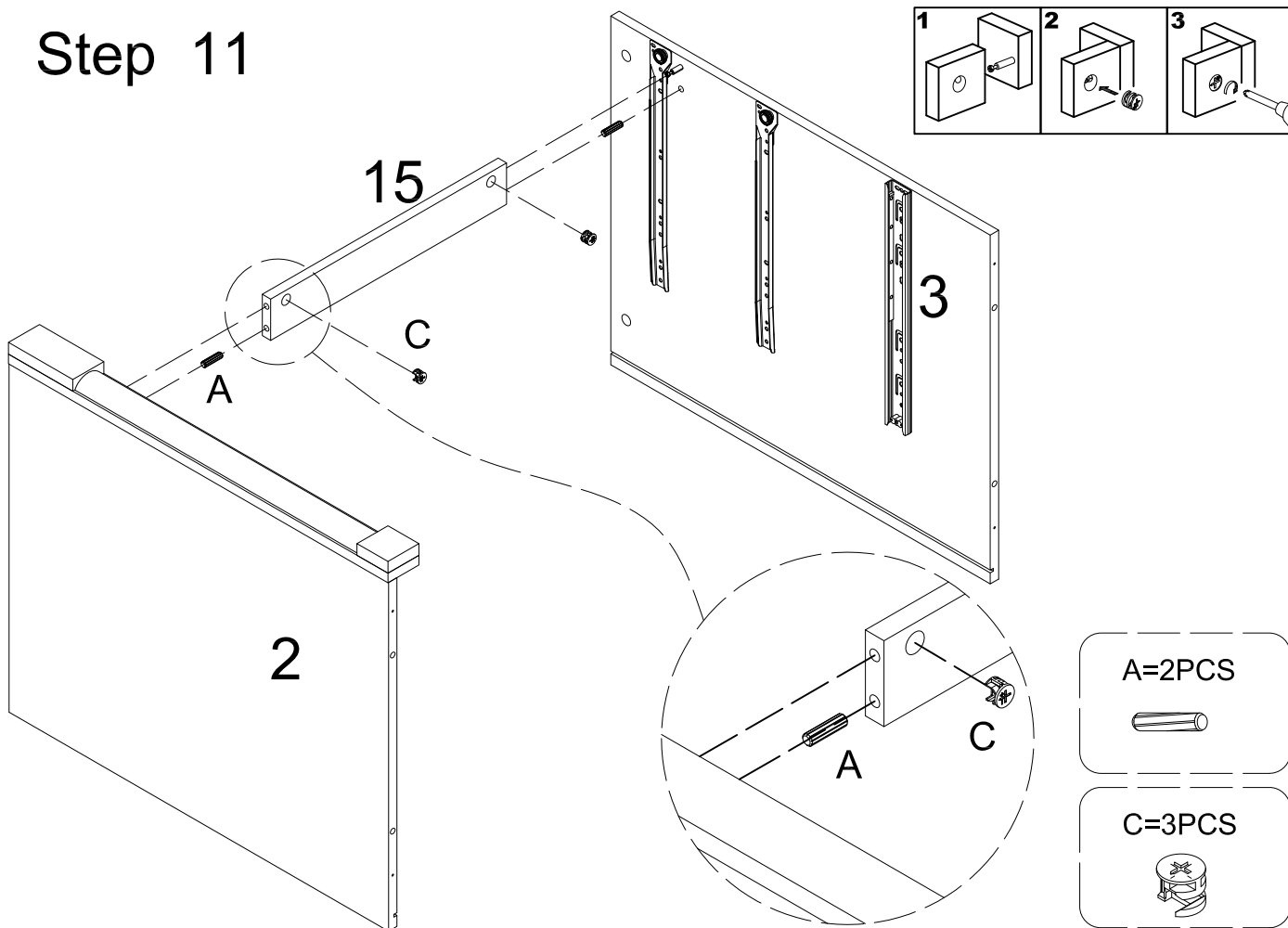
- Q
- Open
- J
- B=1PCS
- I=6PCS
- J=3PCS
- T=2PCS
- Q=1PCS(Q)

Step 10

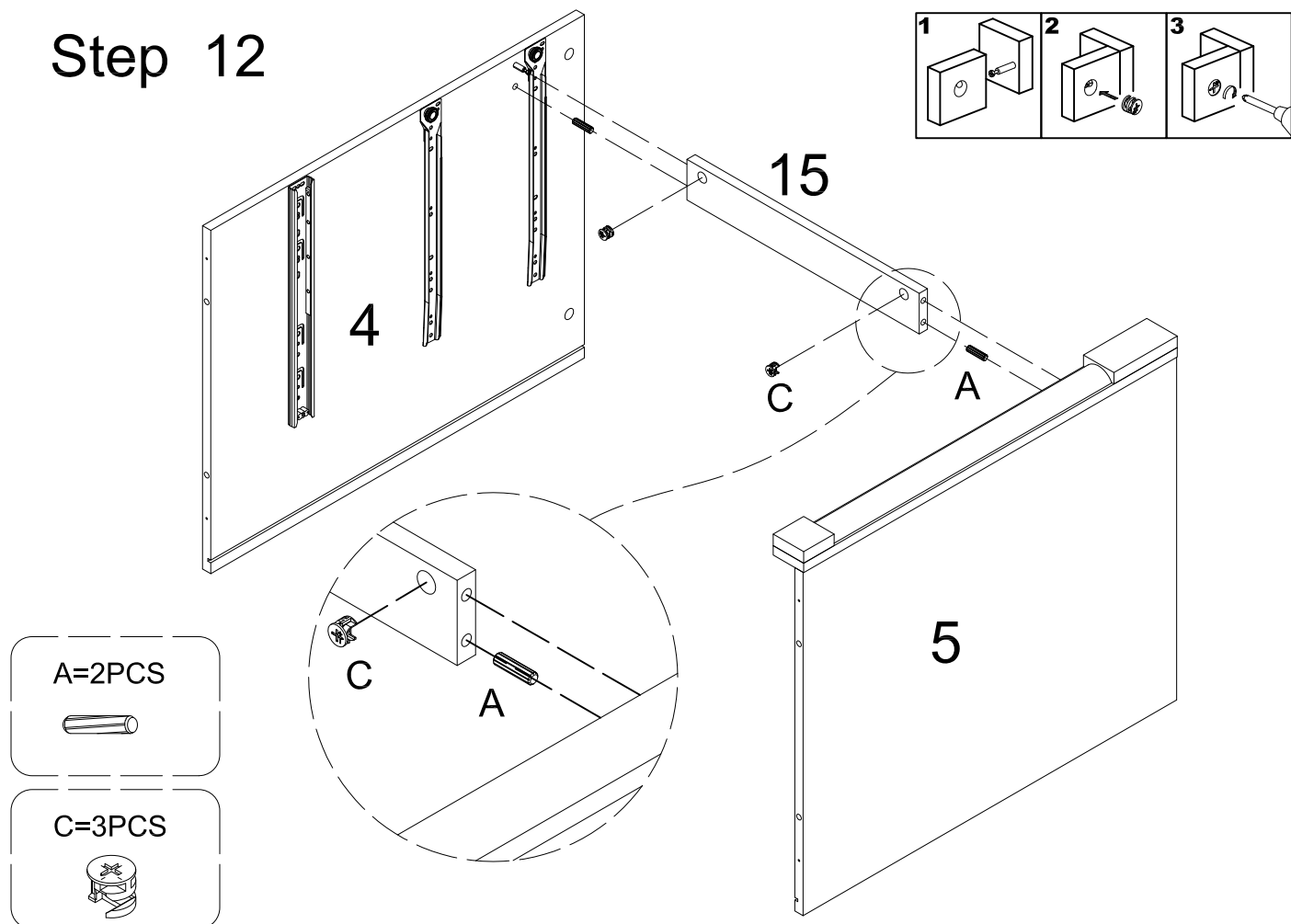


- S
- J
- I
- B=1PCS
- I=6PCS
- J=3PCS
- S=2PCS
- Q=1PCS(Q)

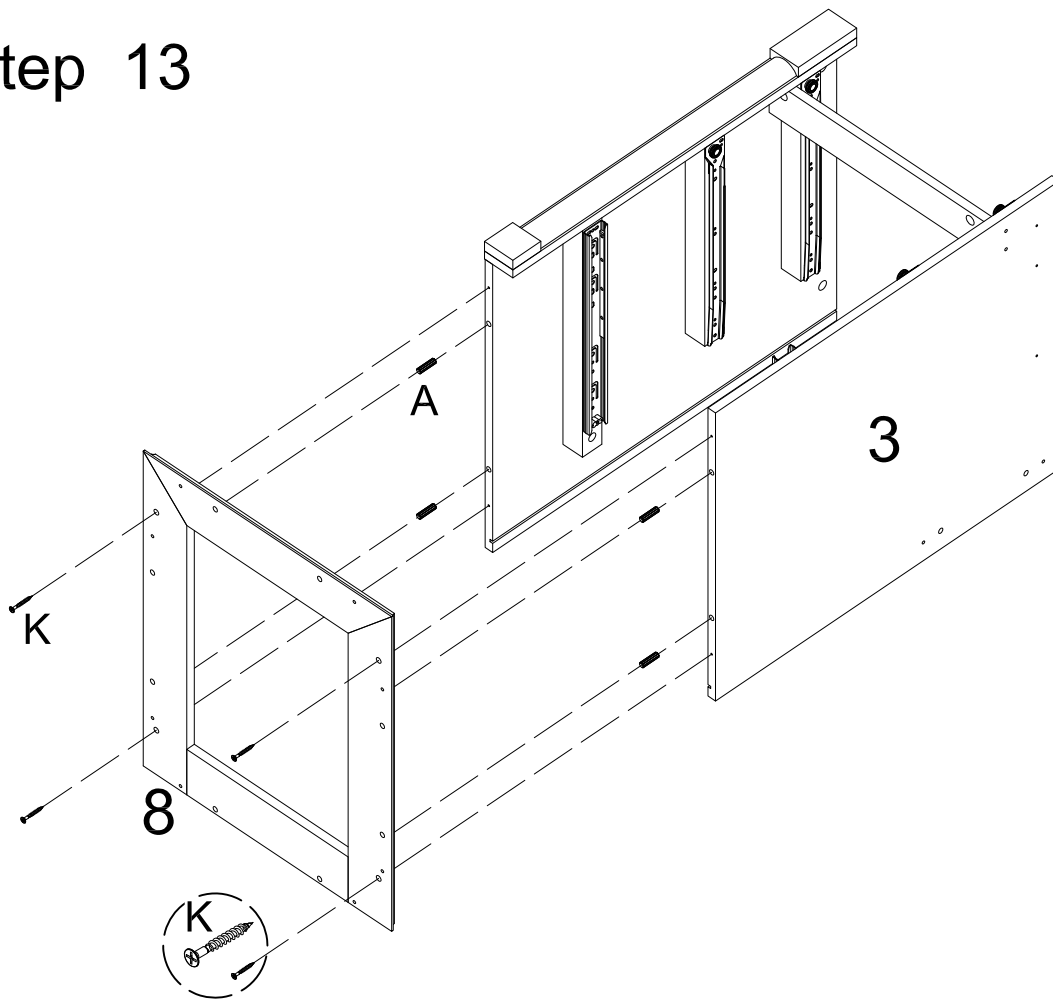
Step 11




Step 12



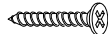
Step 13



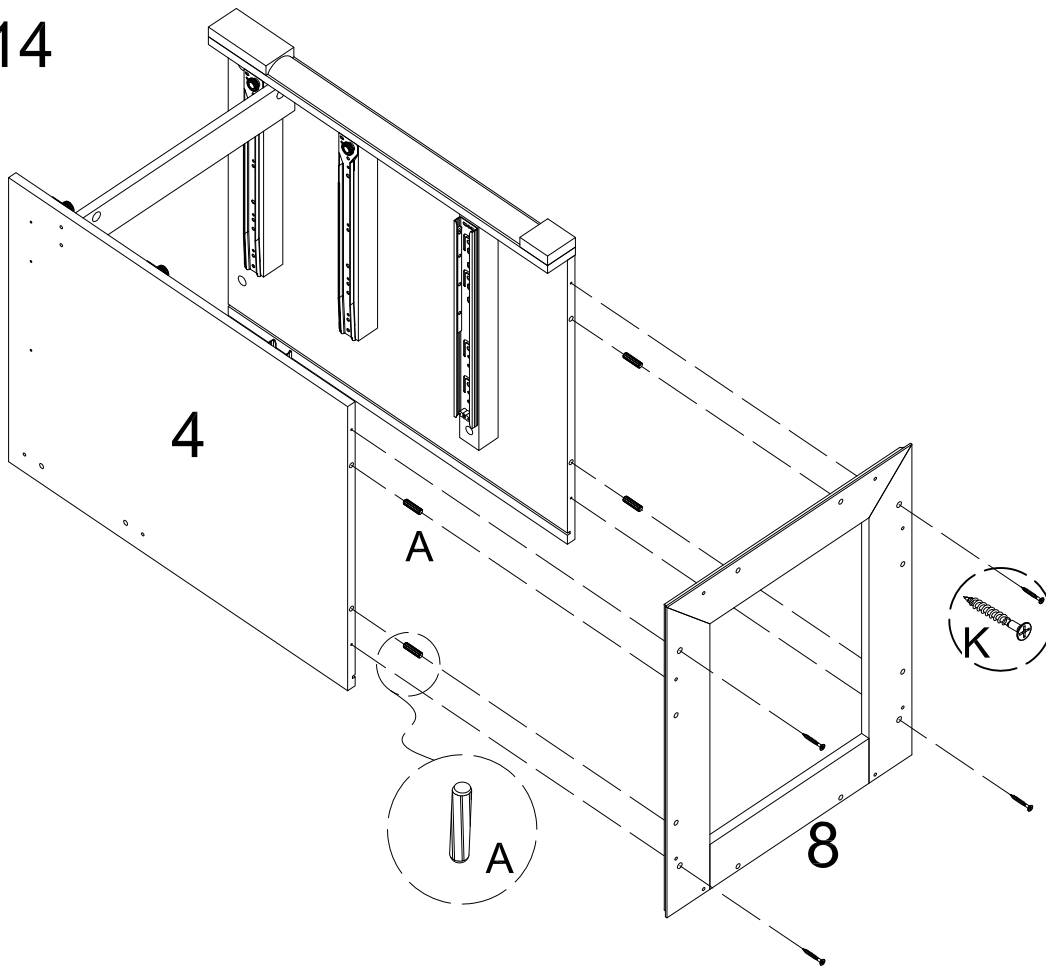
A=4PCS




K=4PCS



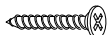
Step 14



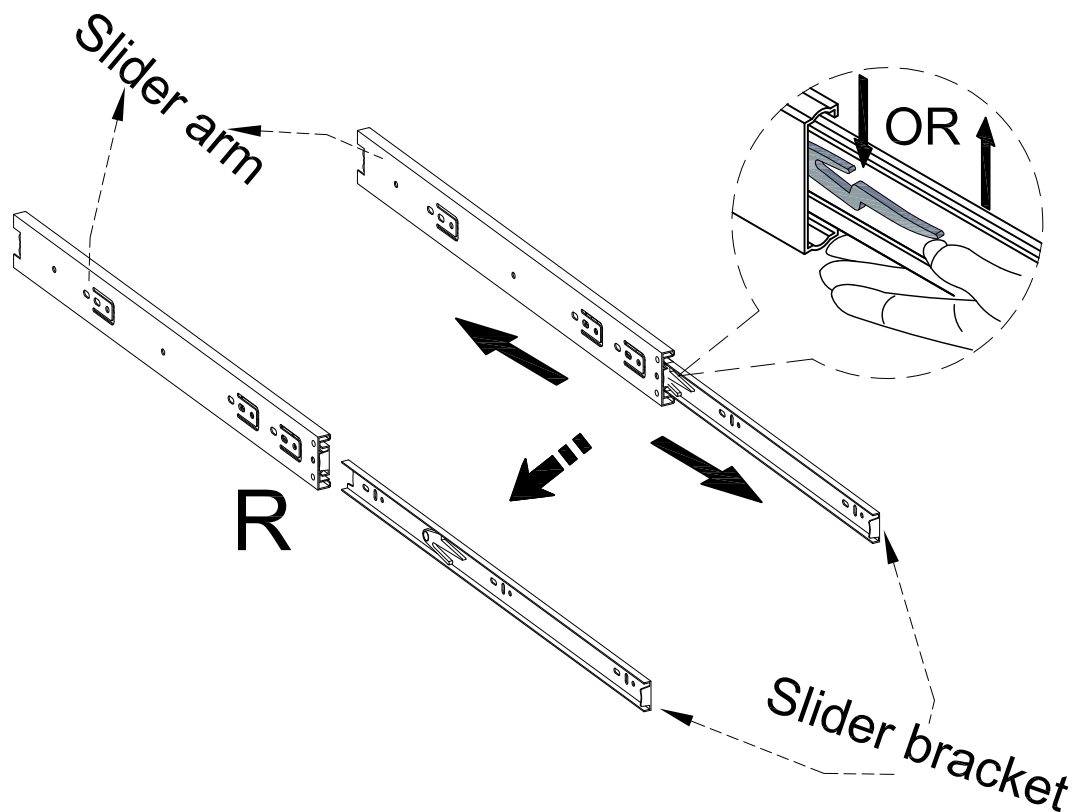
A=4PCS



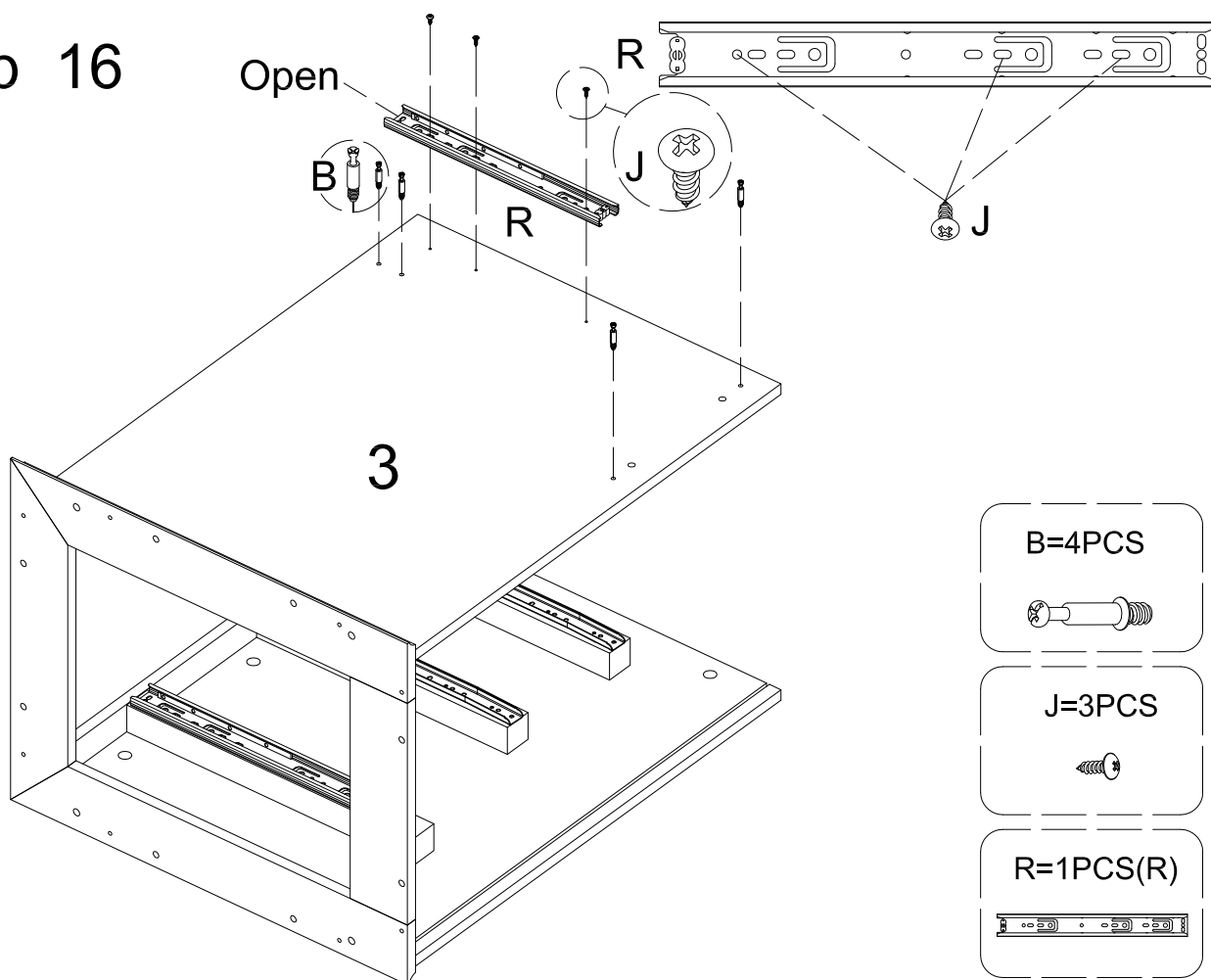
K=4PCS



Step 15

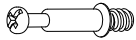


Step 16



Step 17

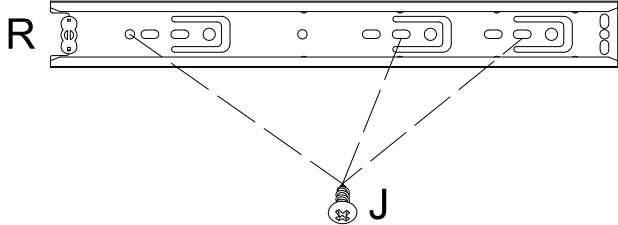
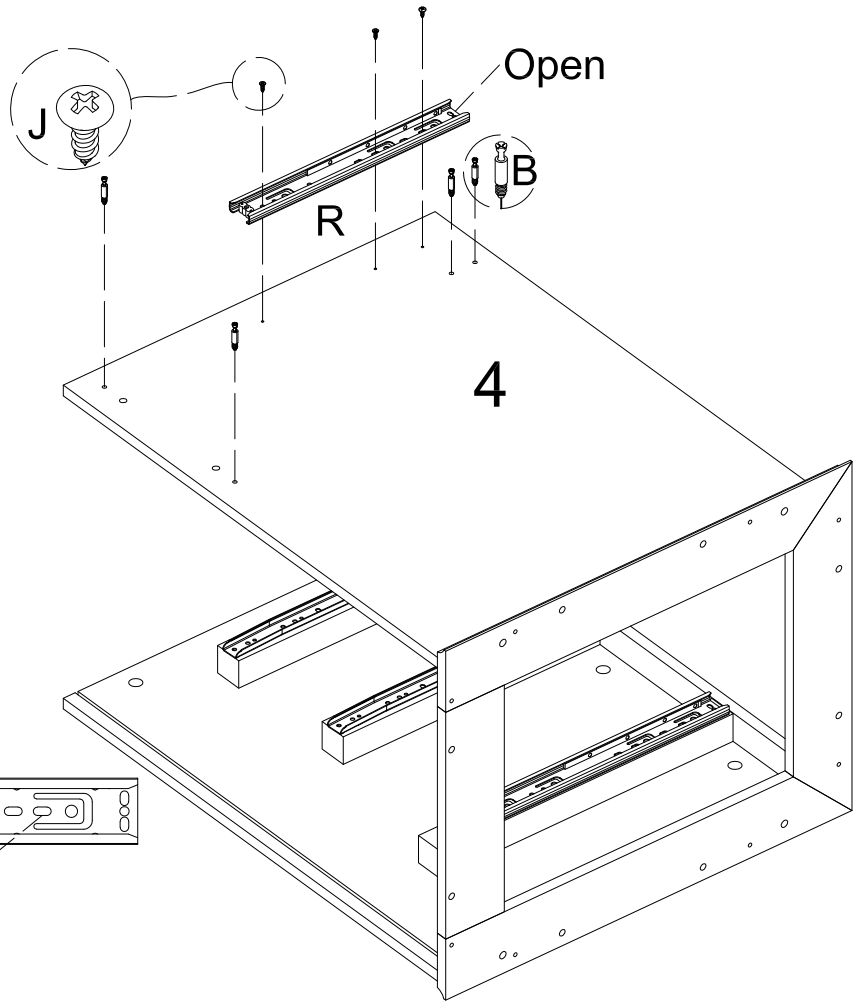
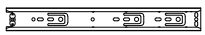
B=4PCS



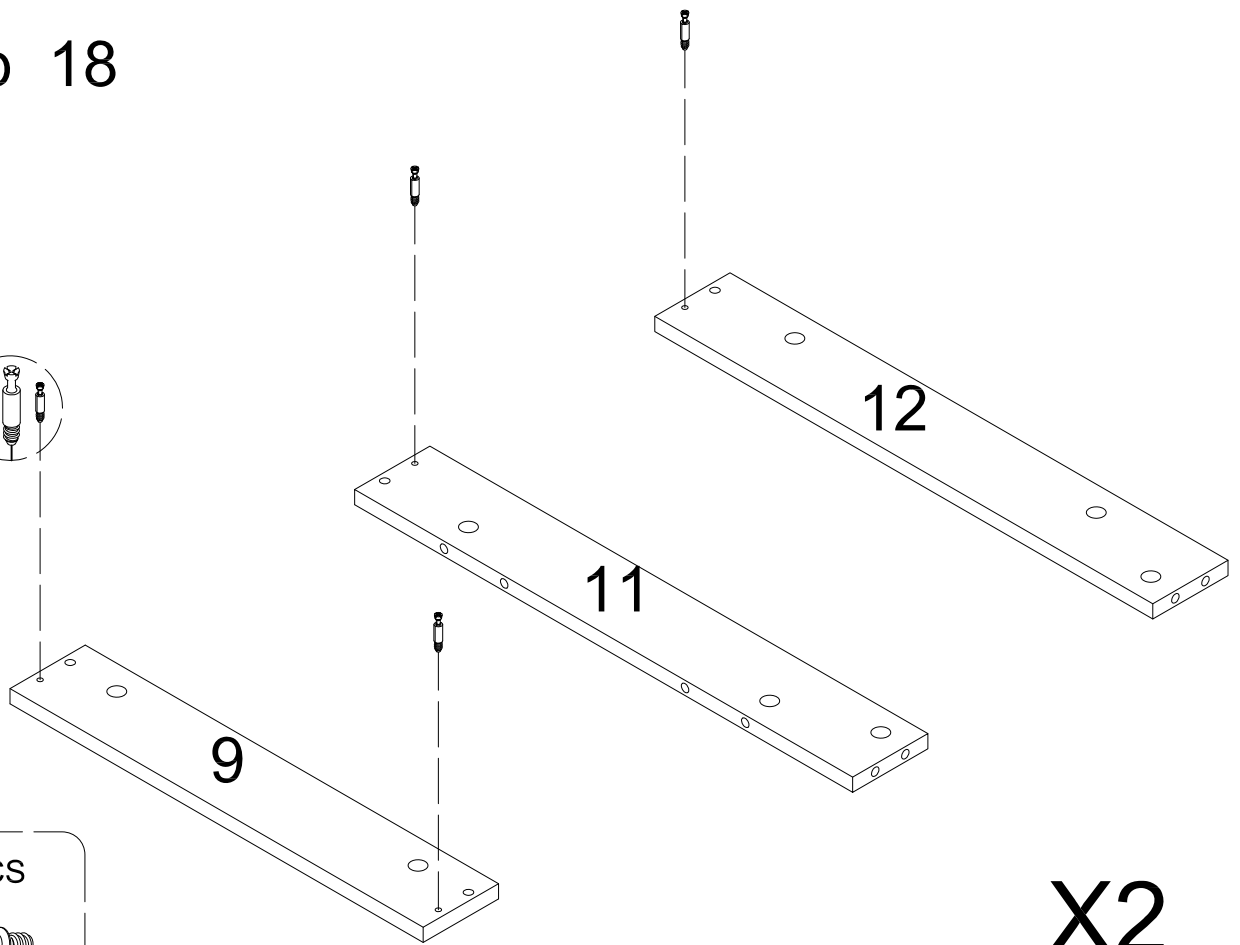
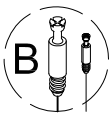
J=3PCS



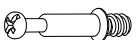
R=1PCS(R)



Step 18

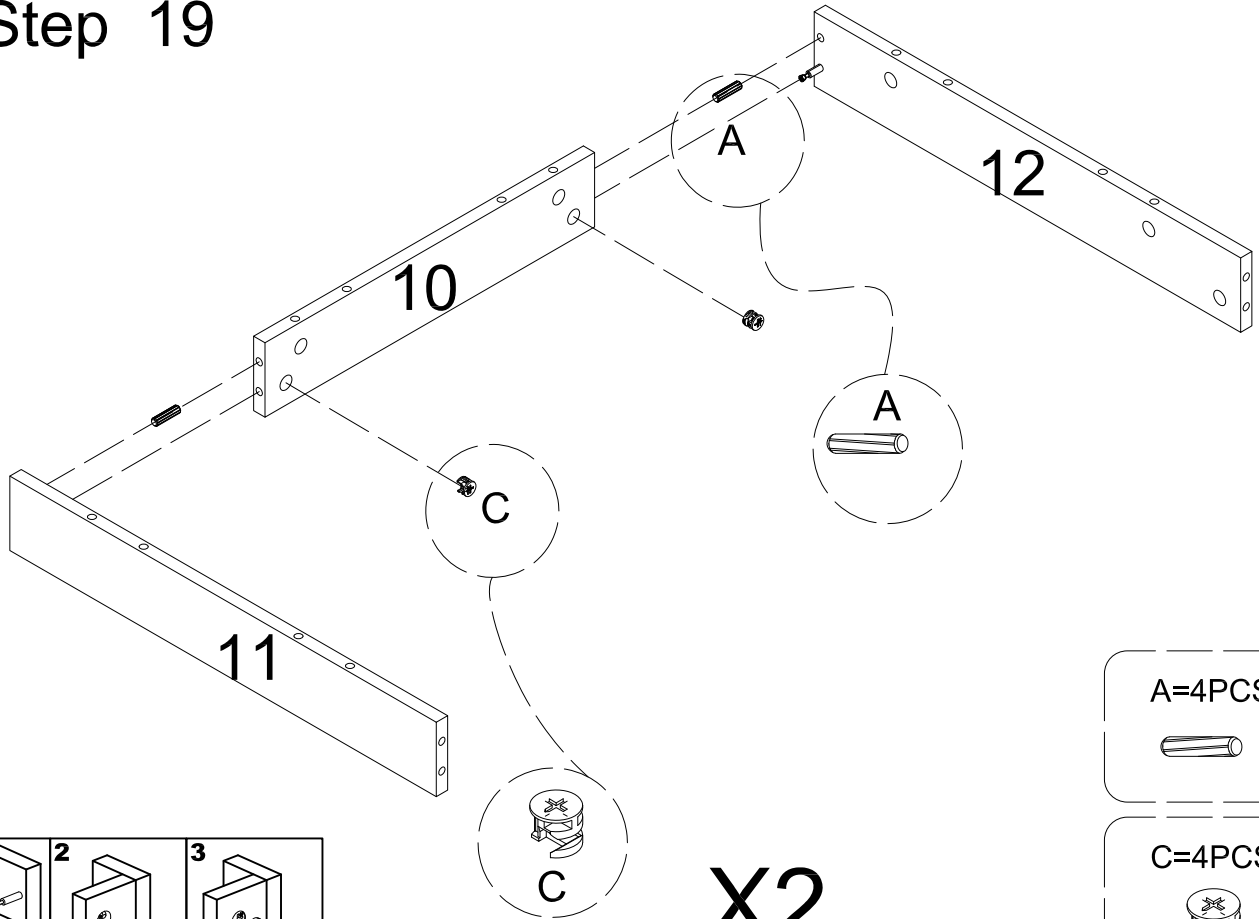


B=8PCS



X2

Step 19



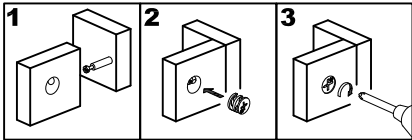
A=4PCS



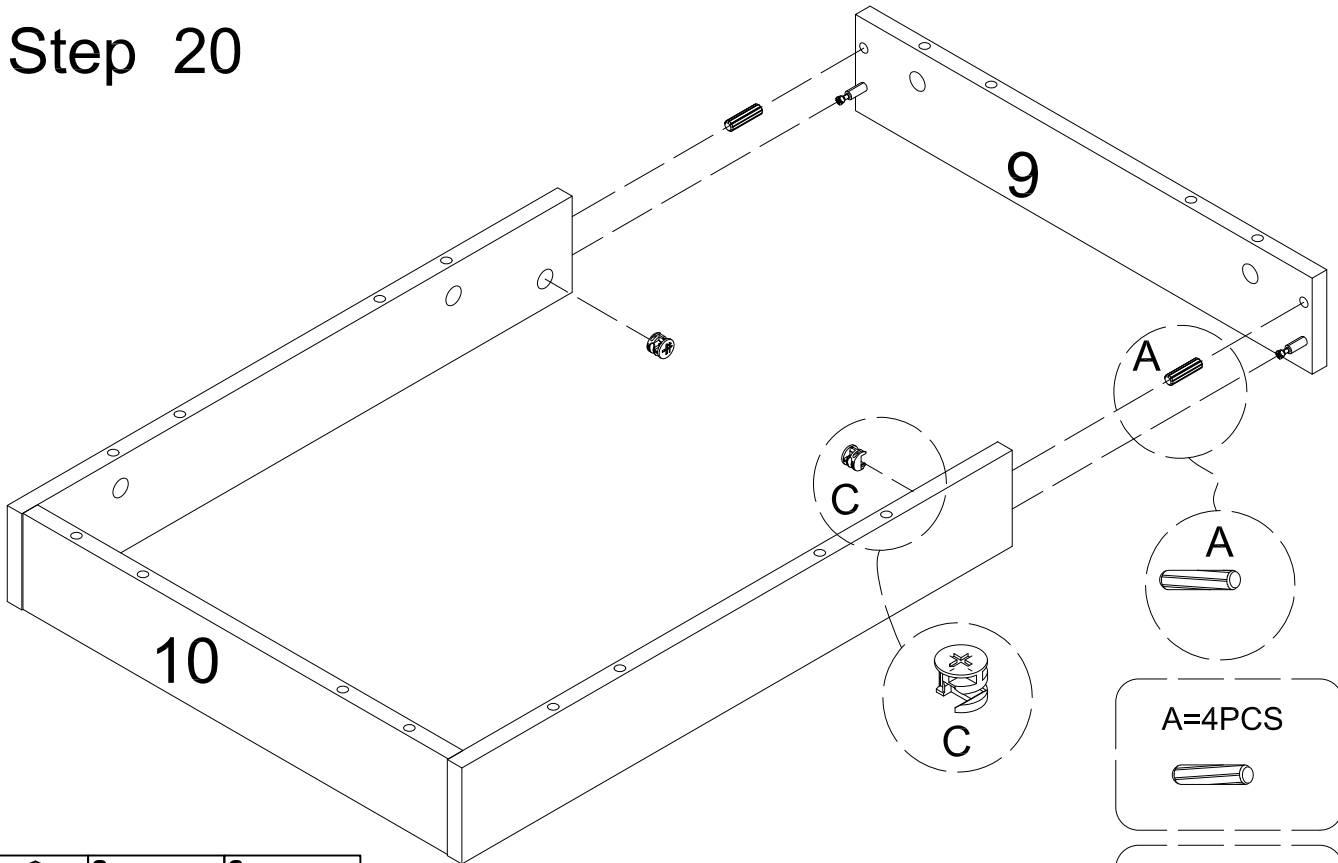
C=4PCS



X2



Step 20



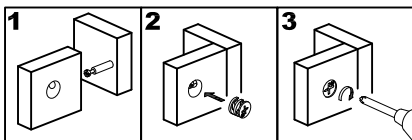
A=4PCS



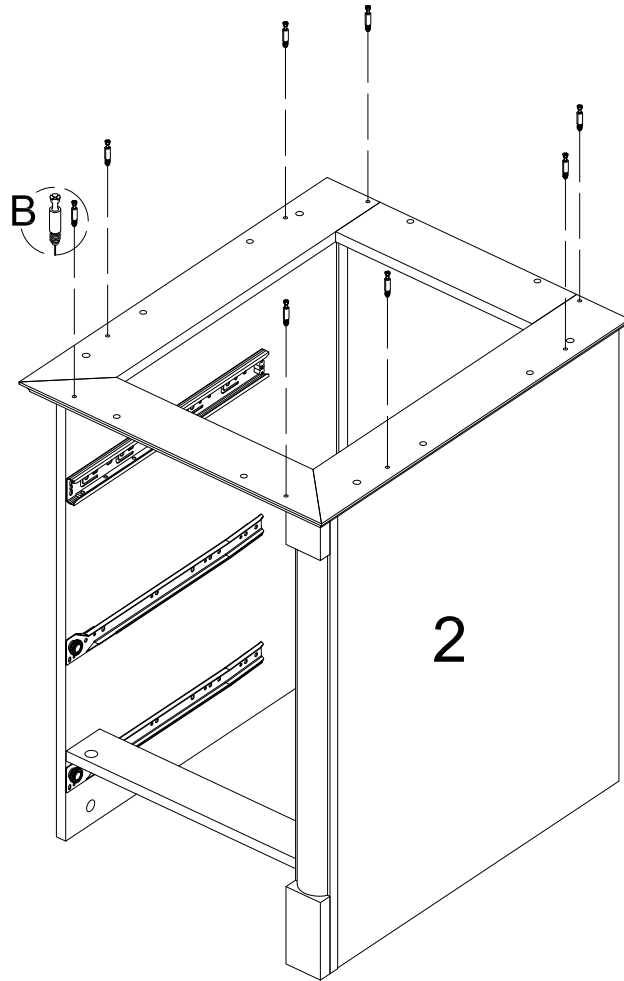
C=4PCS



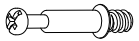
X2



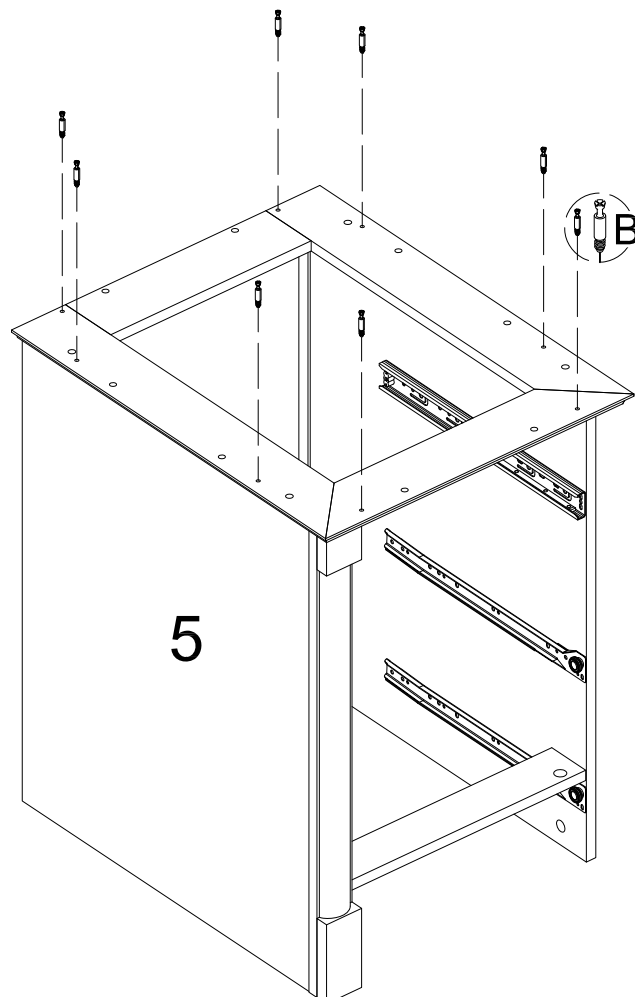
Step 21



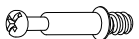
B=8PCS



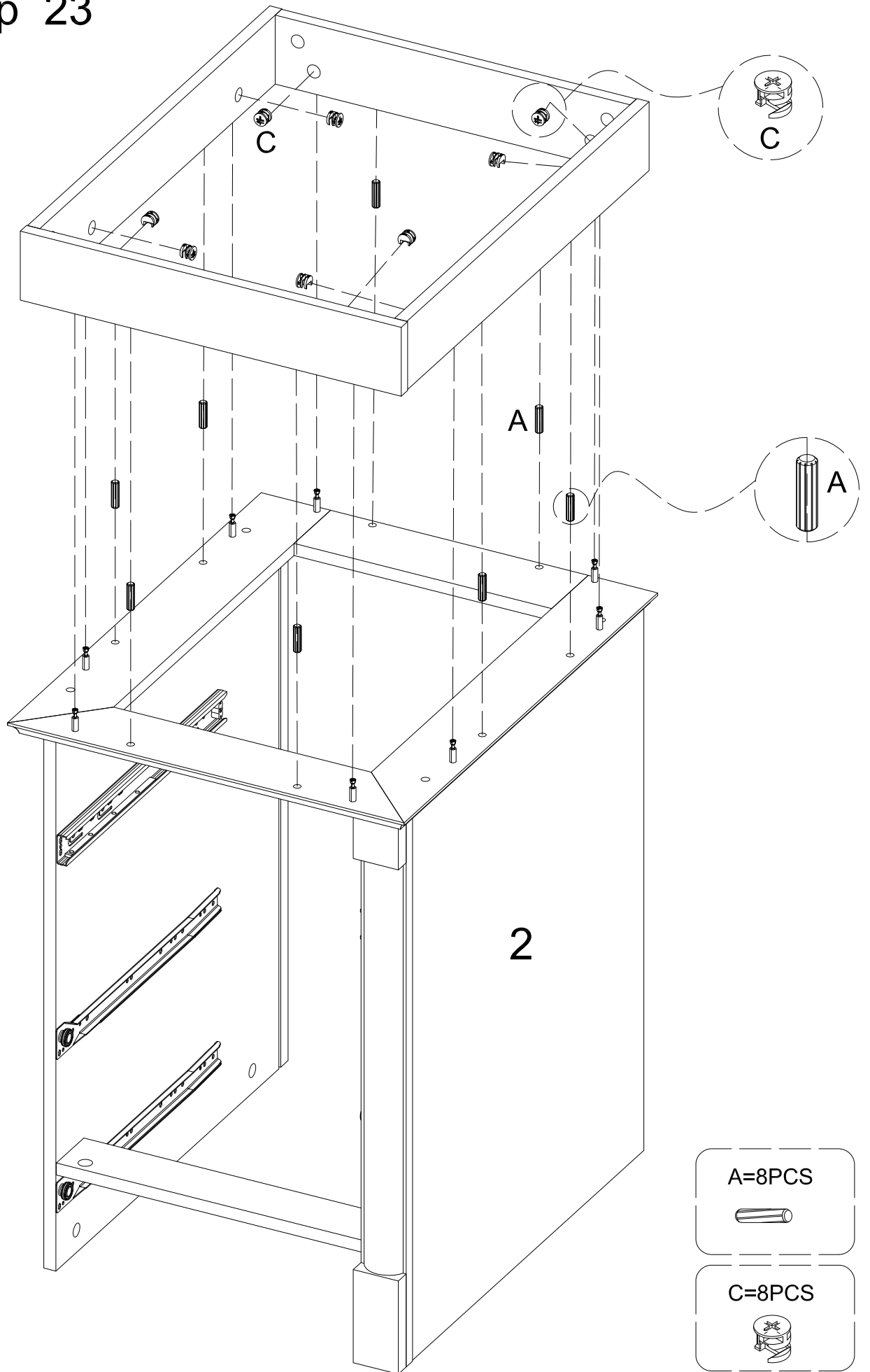
Step 22



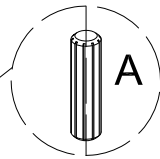
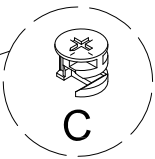
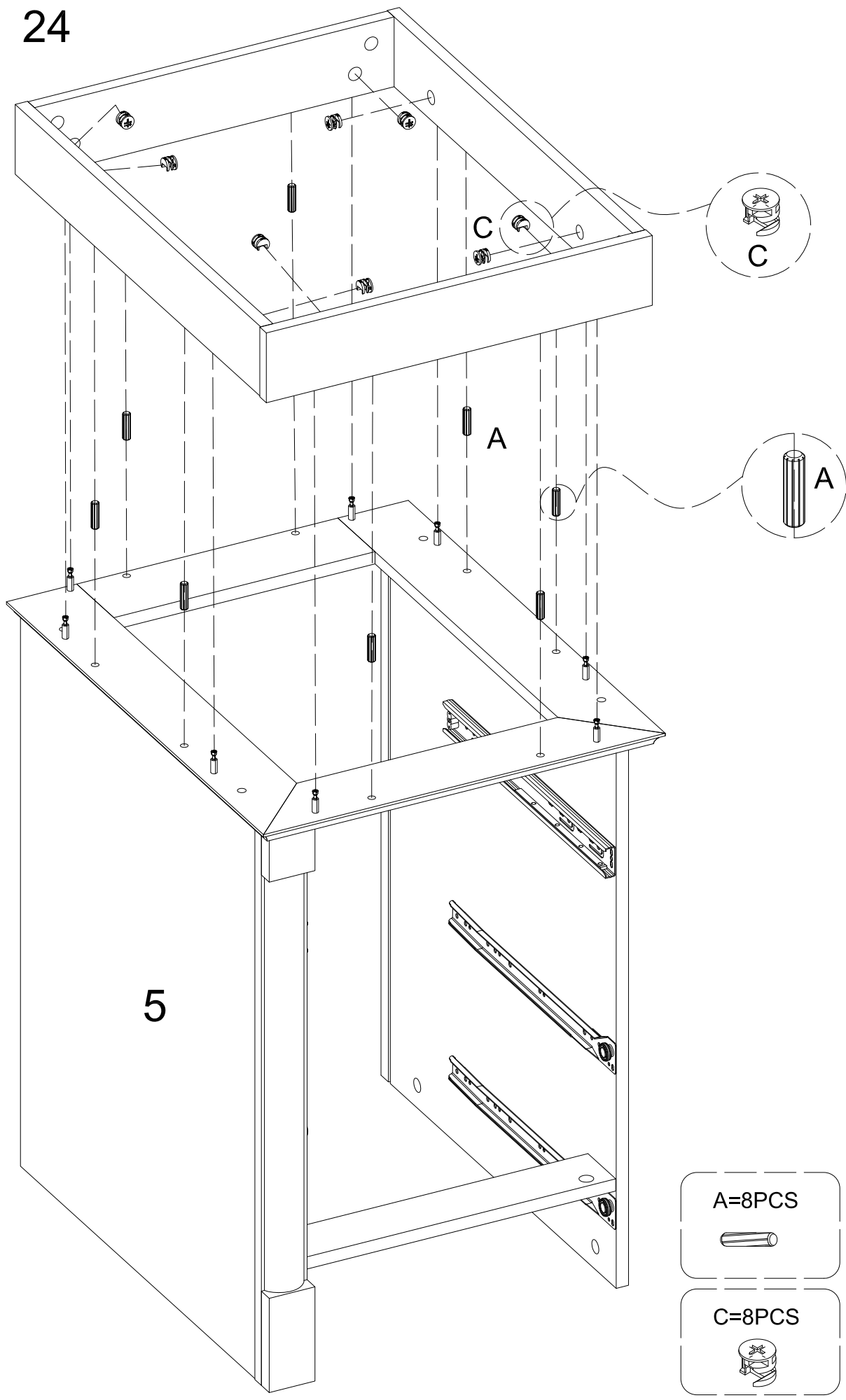
B=8PCS




Step 23




Step 24

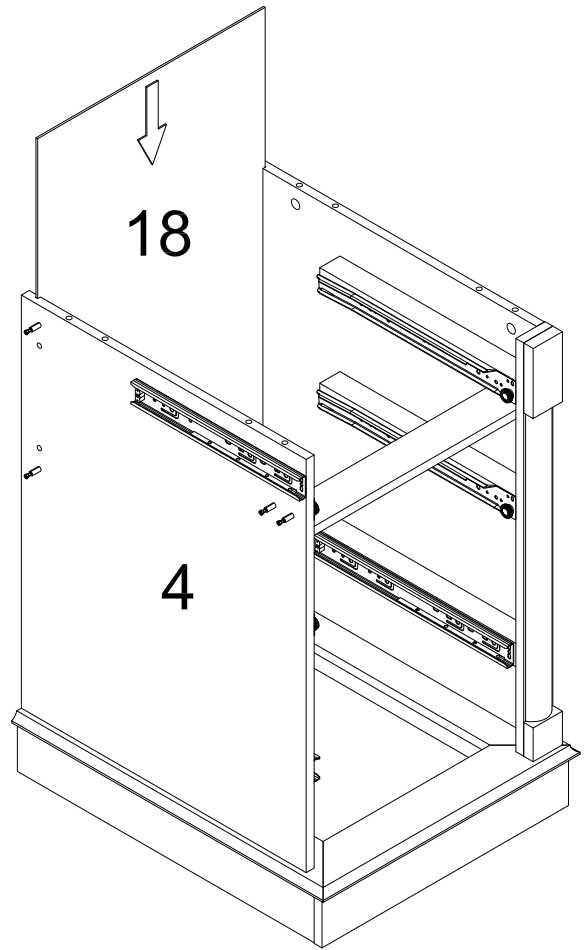
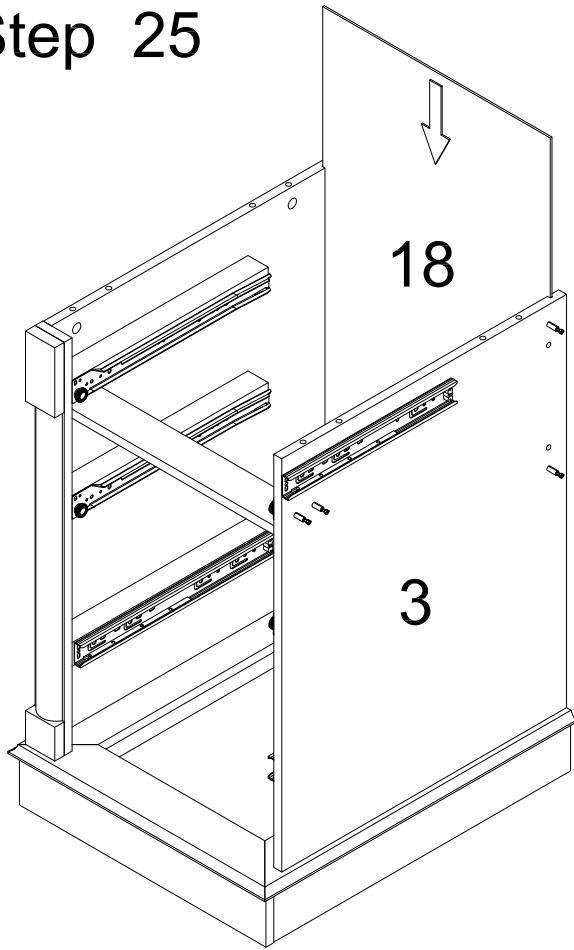


5

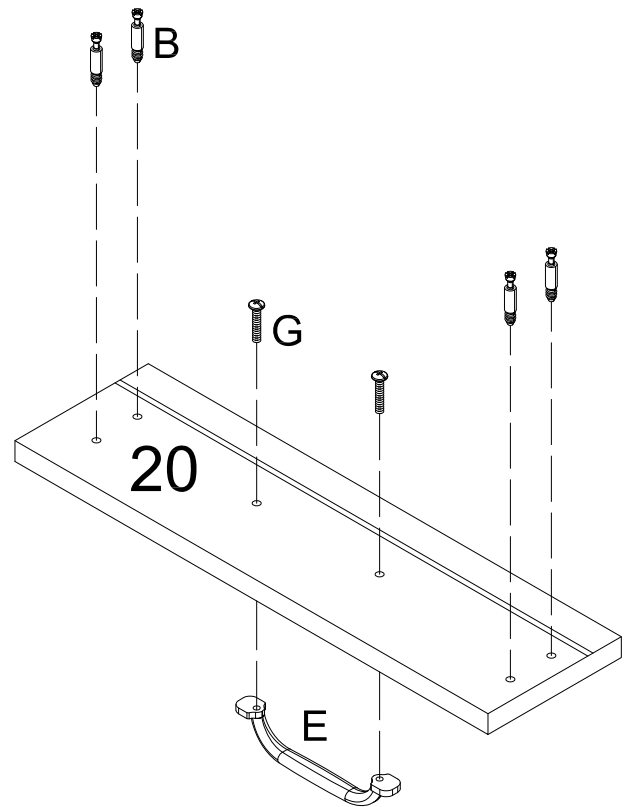
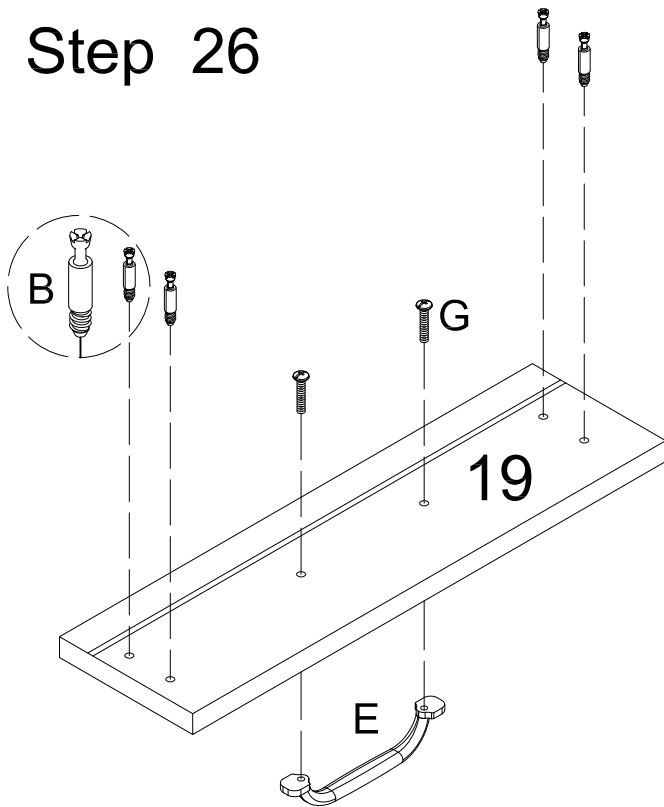
A=8PCS


C=8PCS


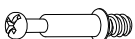
Step 25



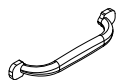
Step 26



B=8PCS



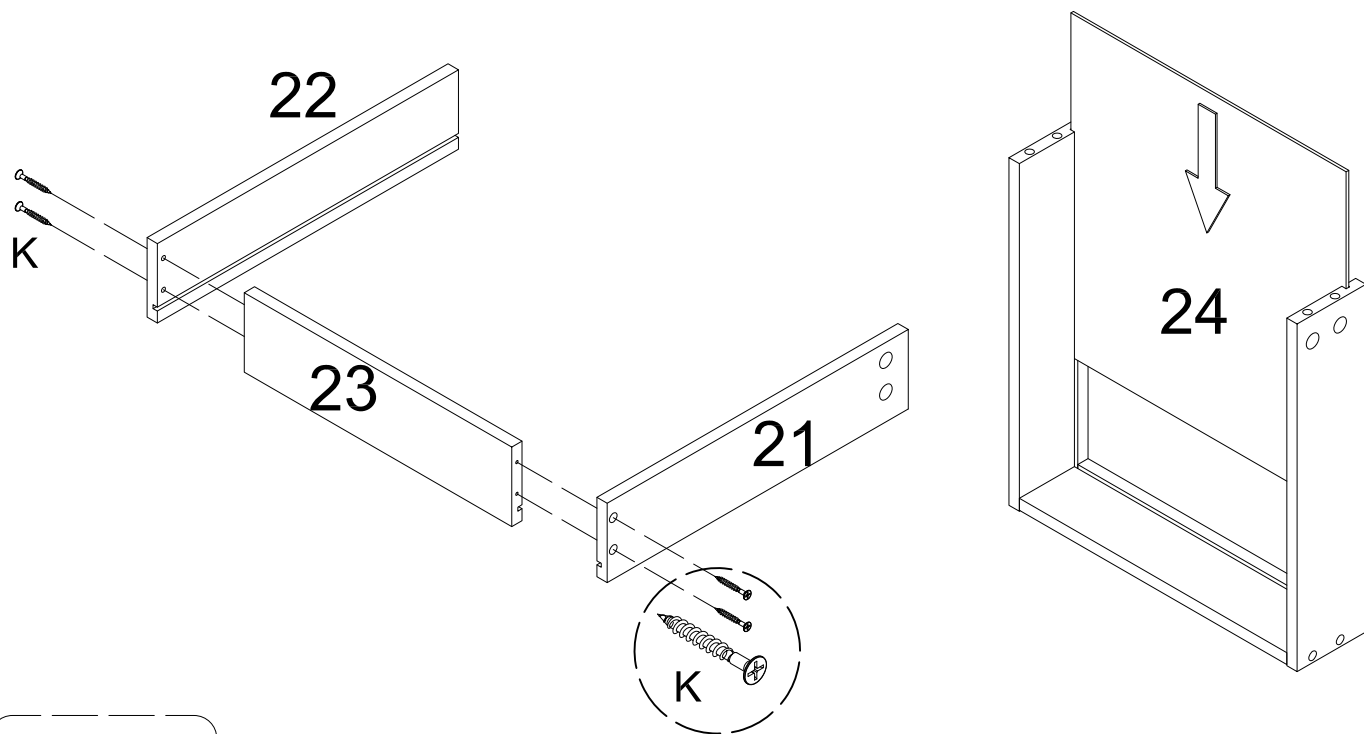
E=2PCS



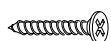
G=4PCS



Step 27

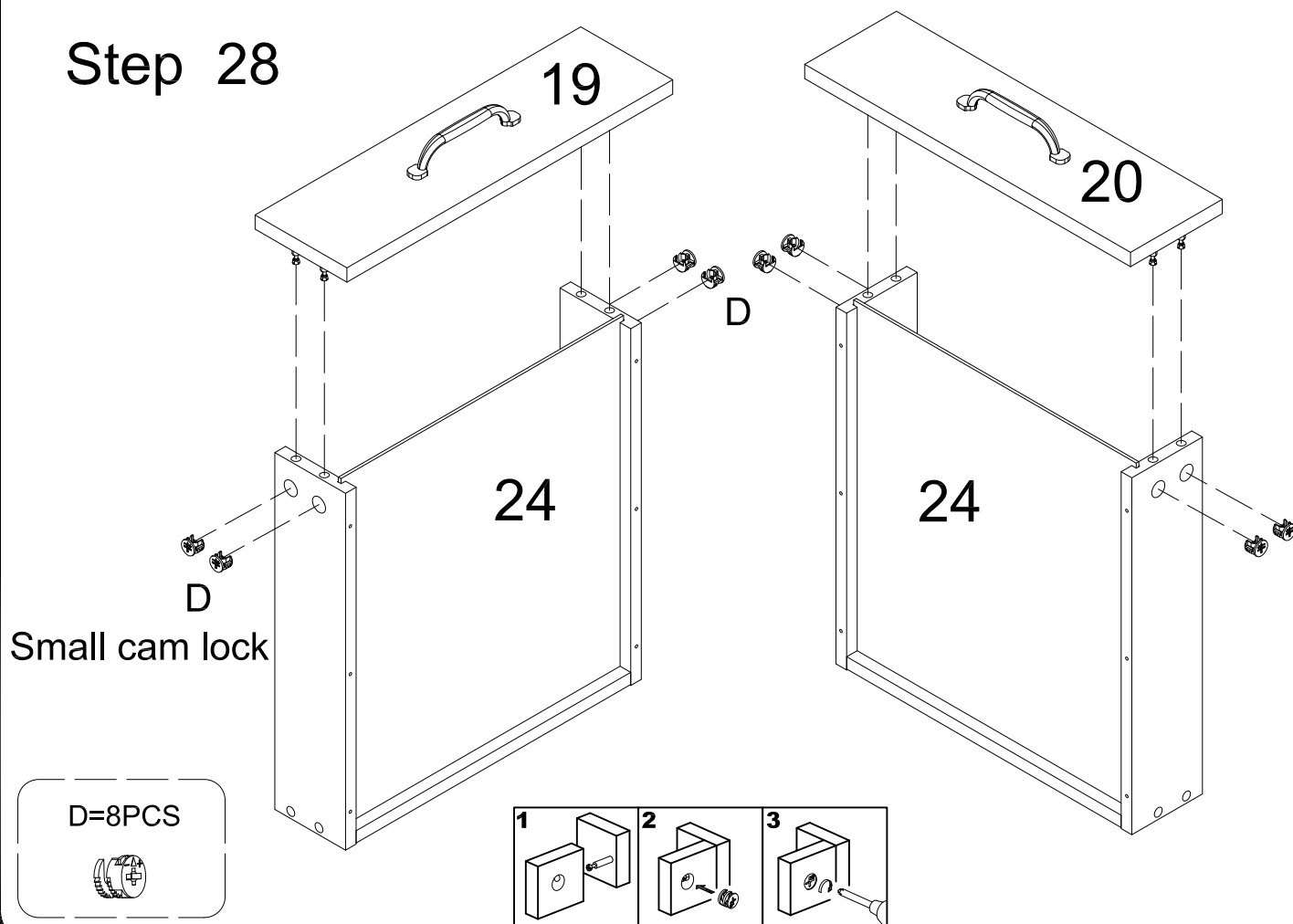


K=8PCS



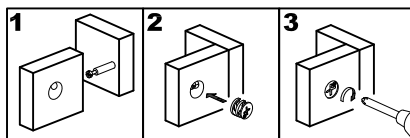
X2

Step 28

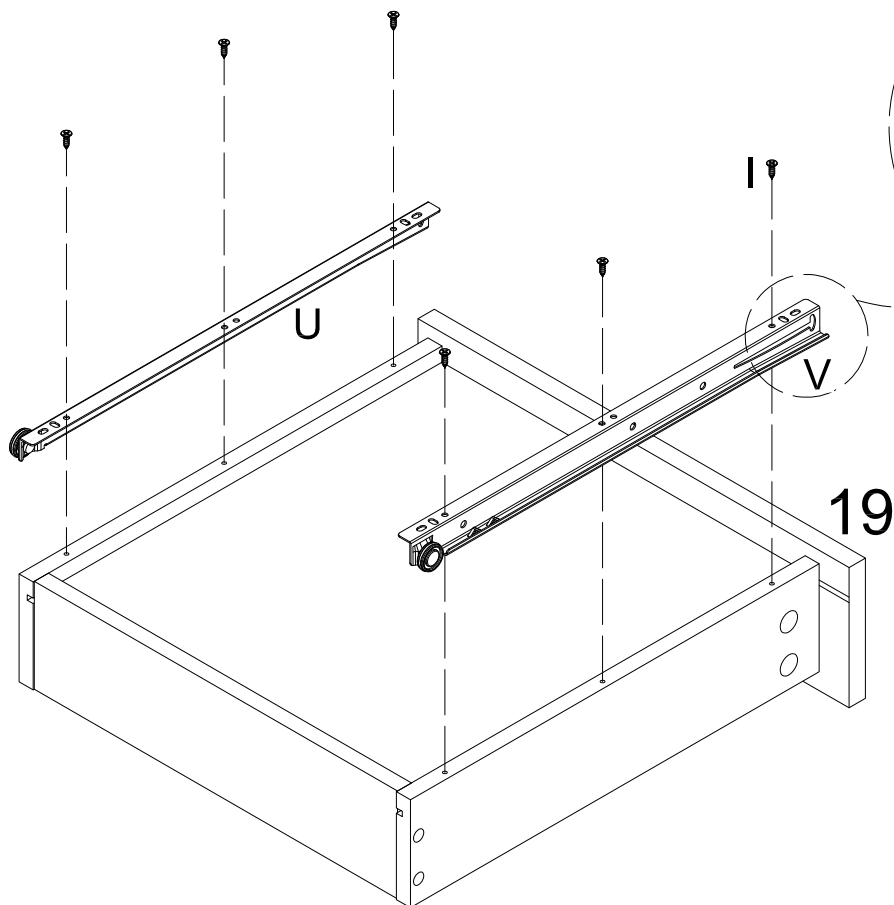





D
Small cam lock

D=8PCS

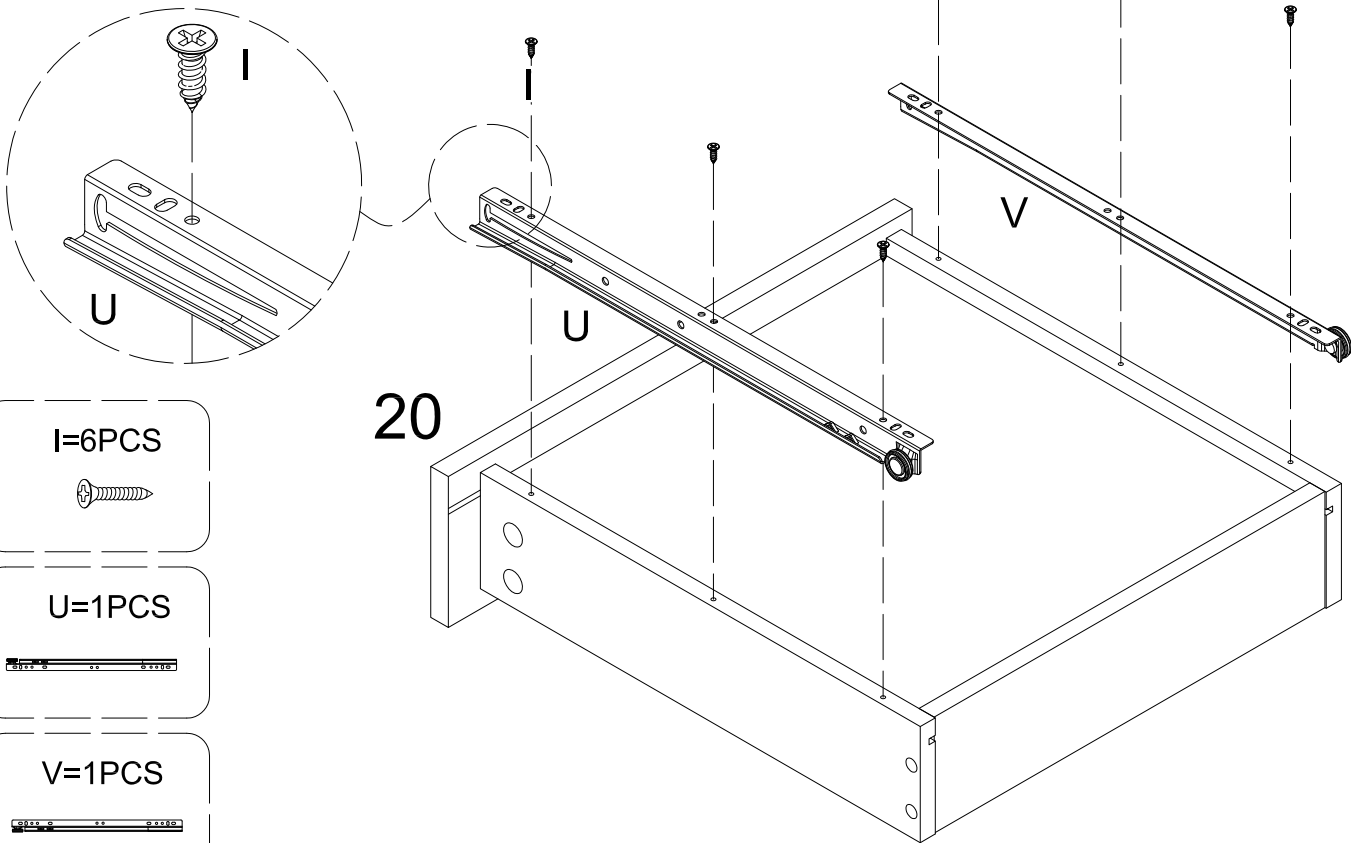





Step 29



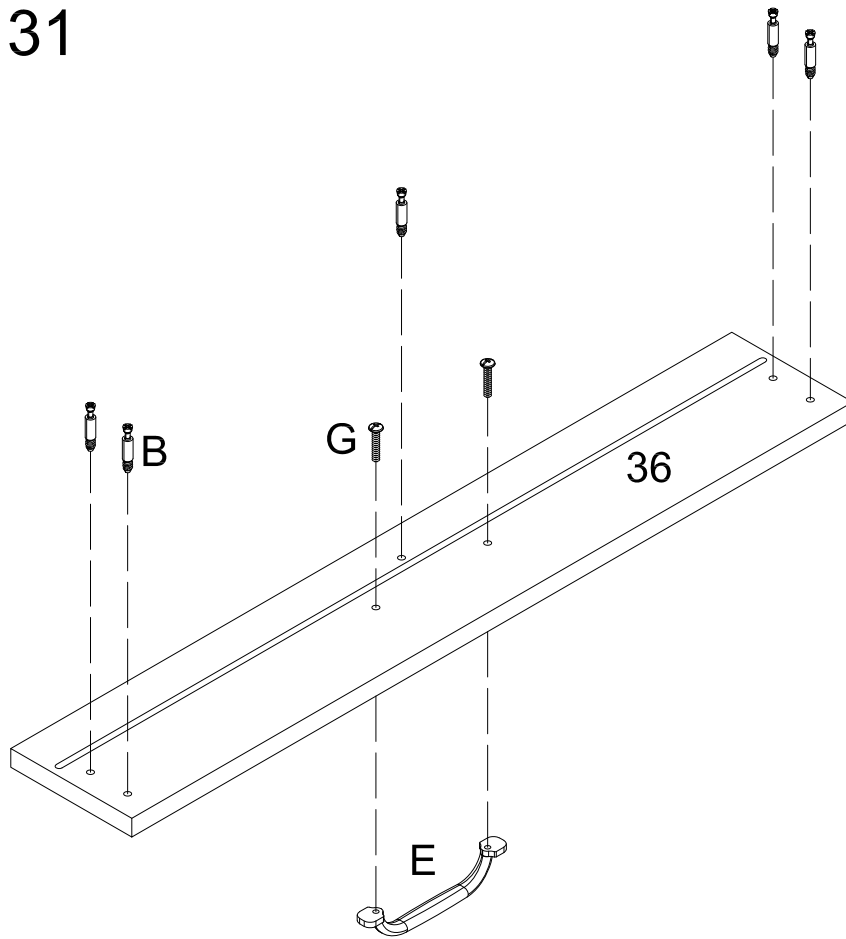
- I=6PCS

- U=1PCS

- V=1PCS


Step 30

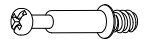


- I=6PCS

- U=1PCS

- V=1PCS


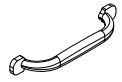
Step 31



B=5PCS



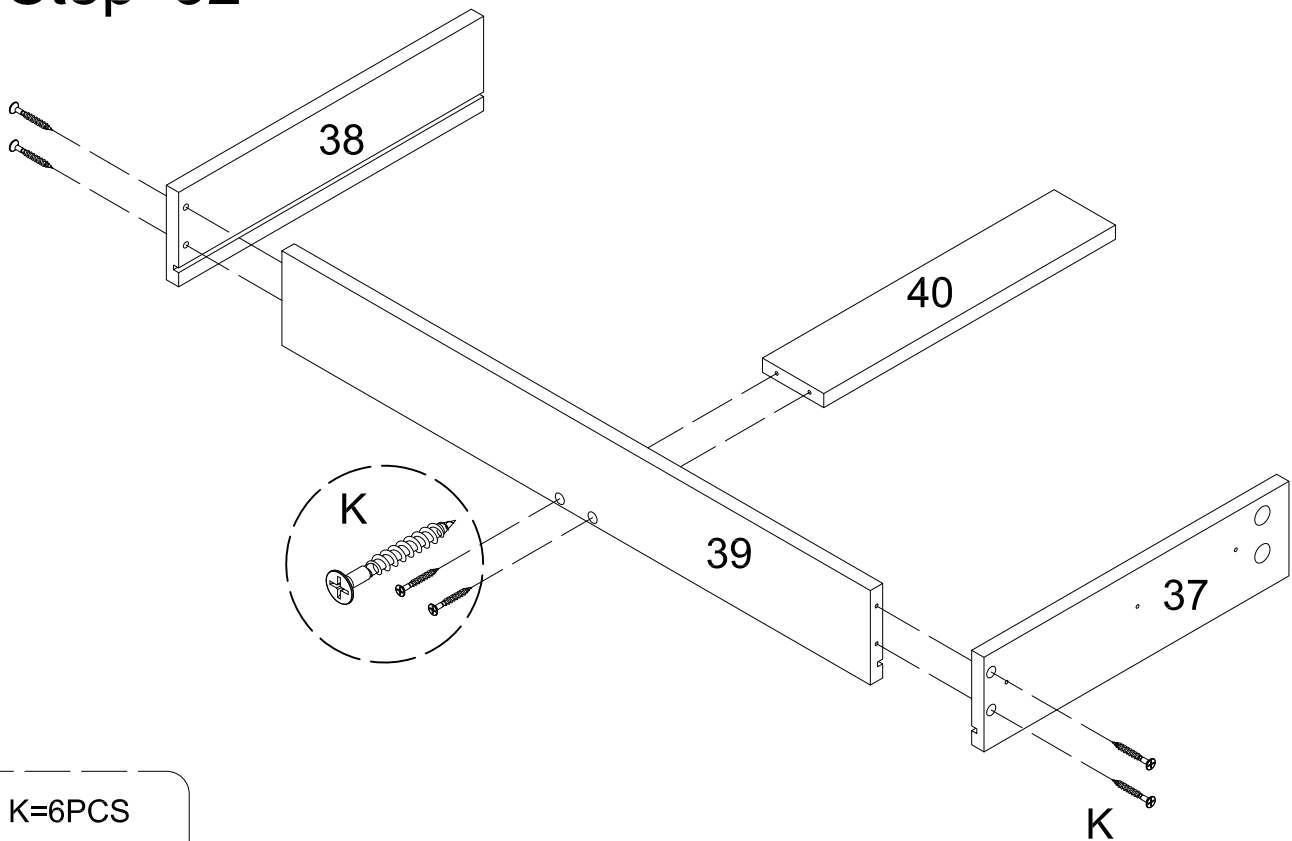
E=1PCS



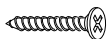
G=2PCS



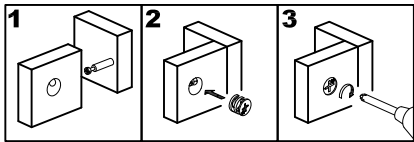
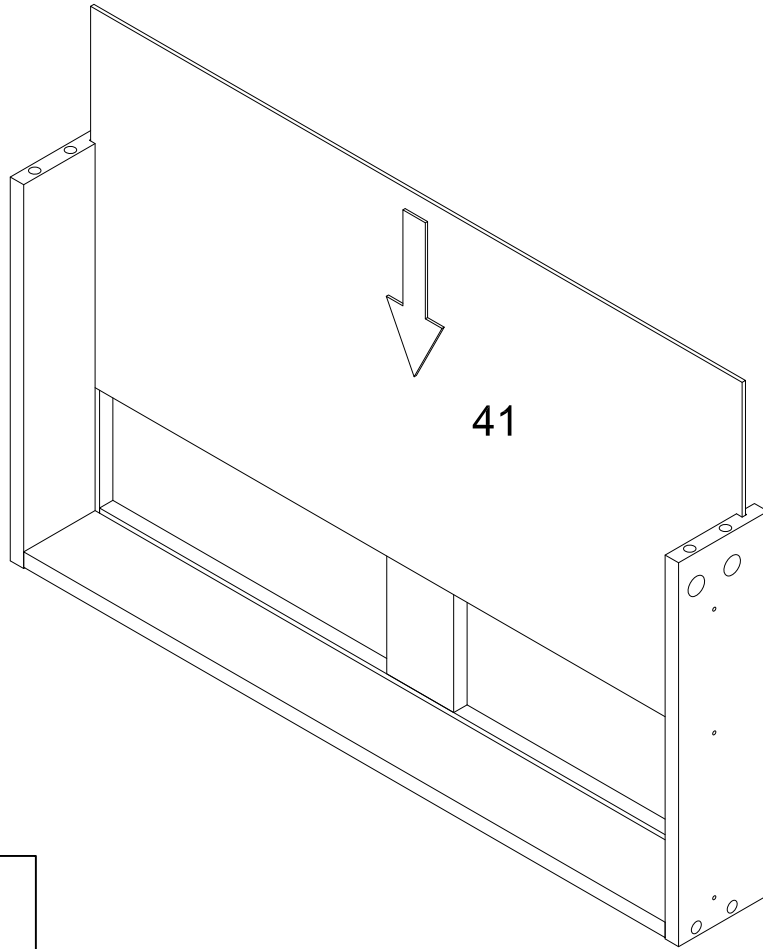
Step 32



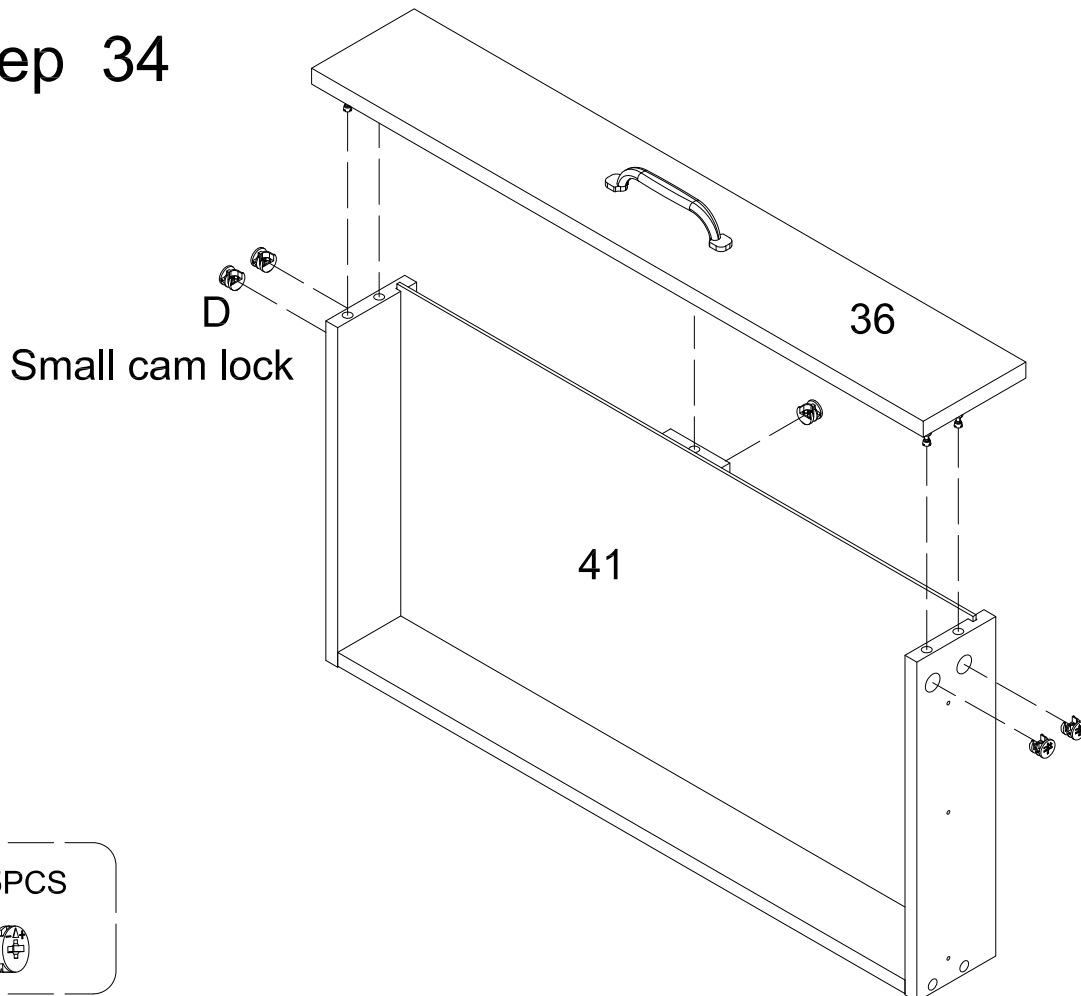
K=6PCS



Step 33



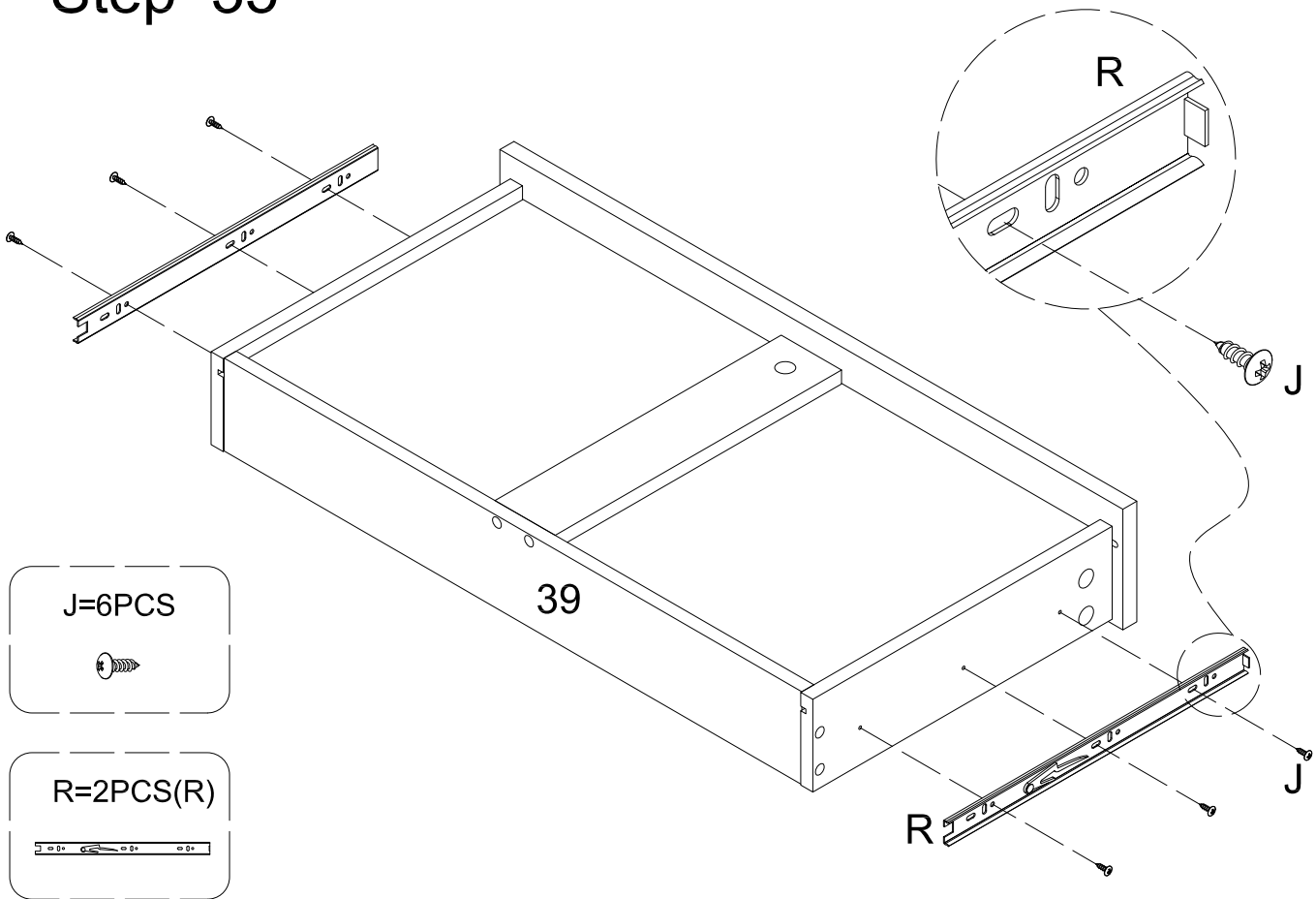
Step 34



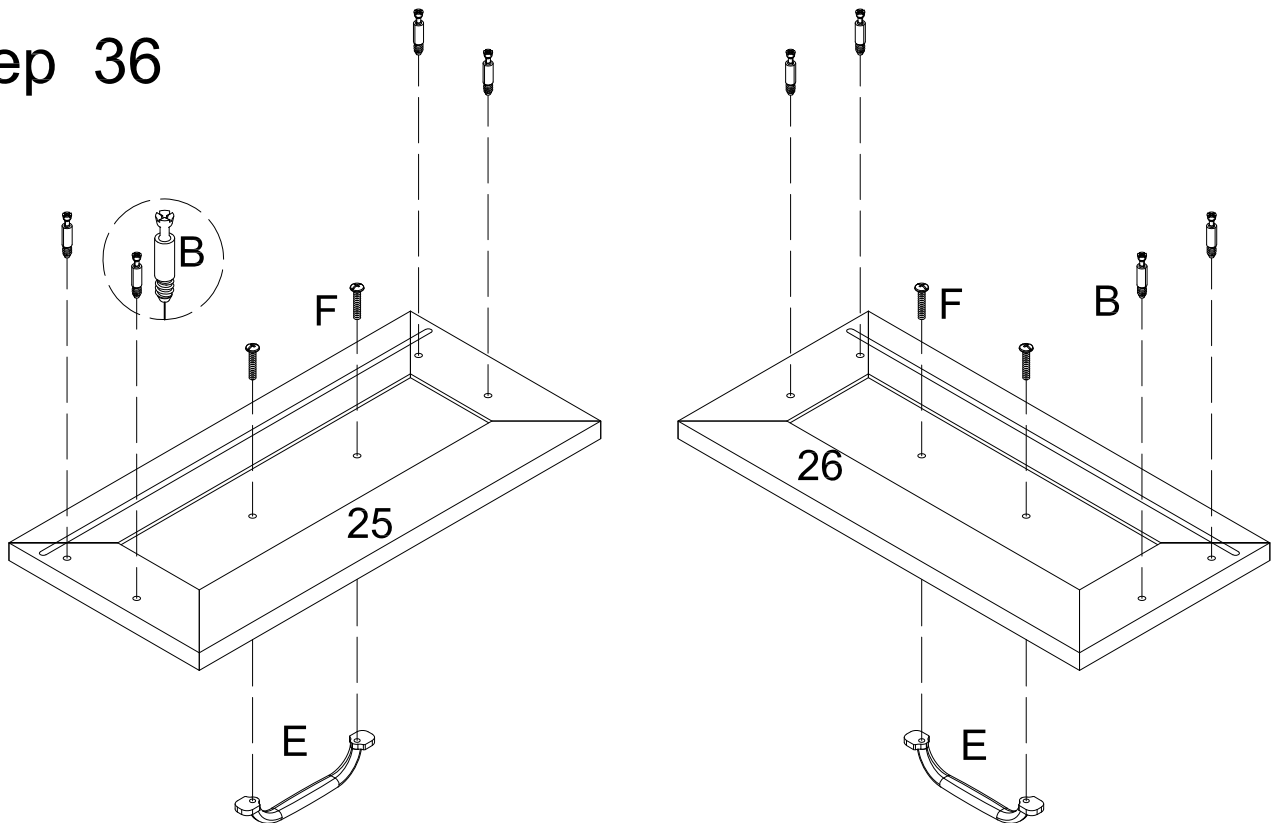
D=5PCS



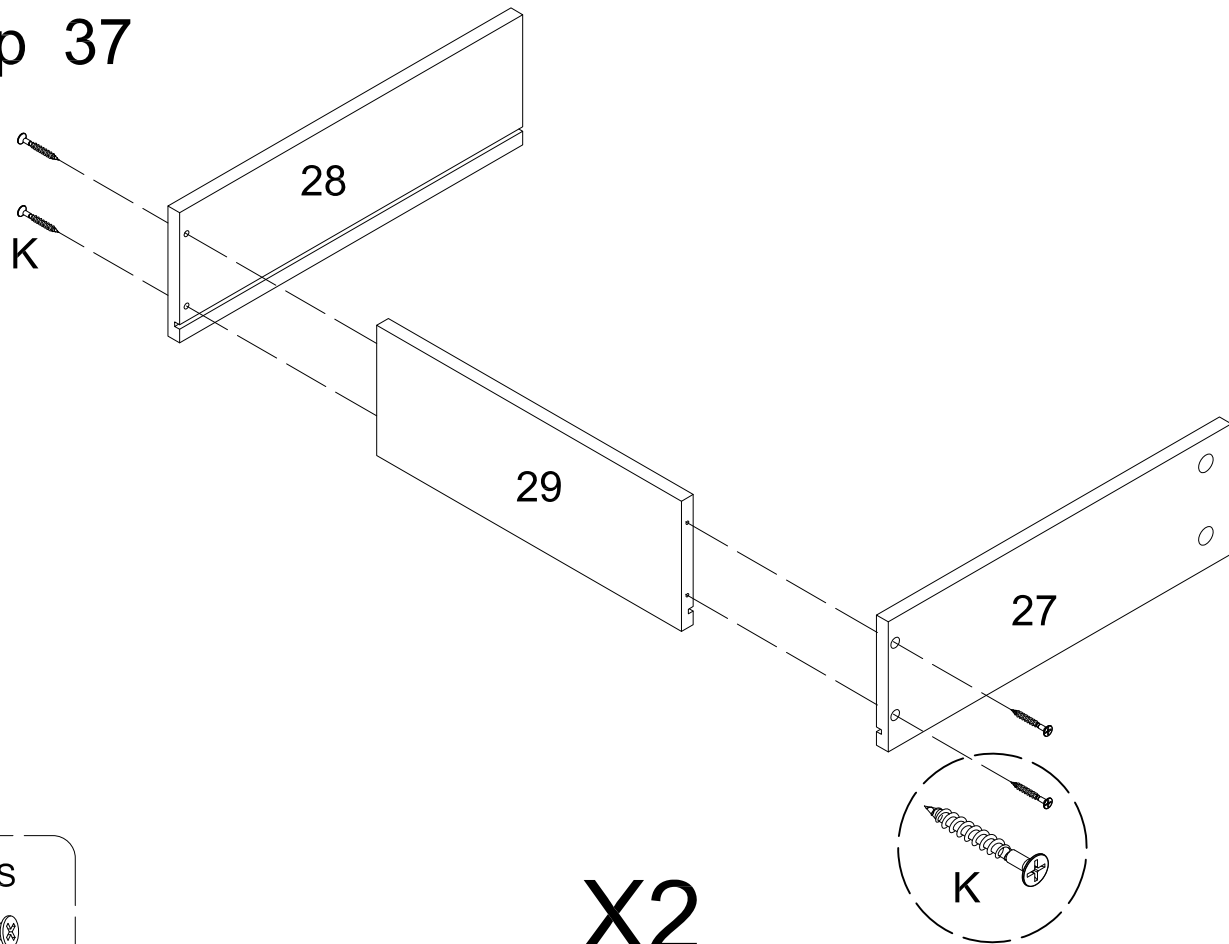
Step 35



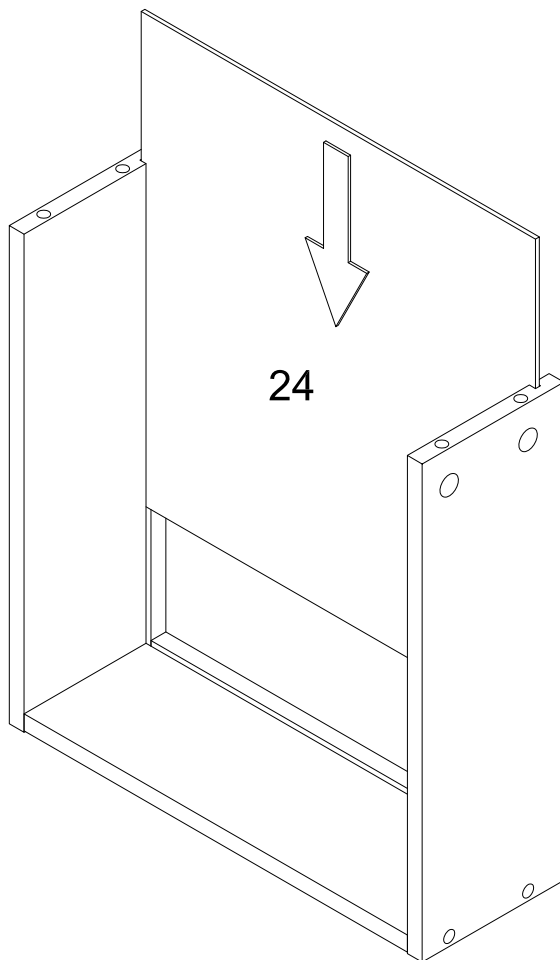
Step 36



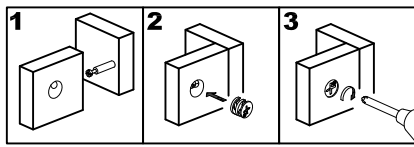
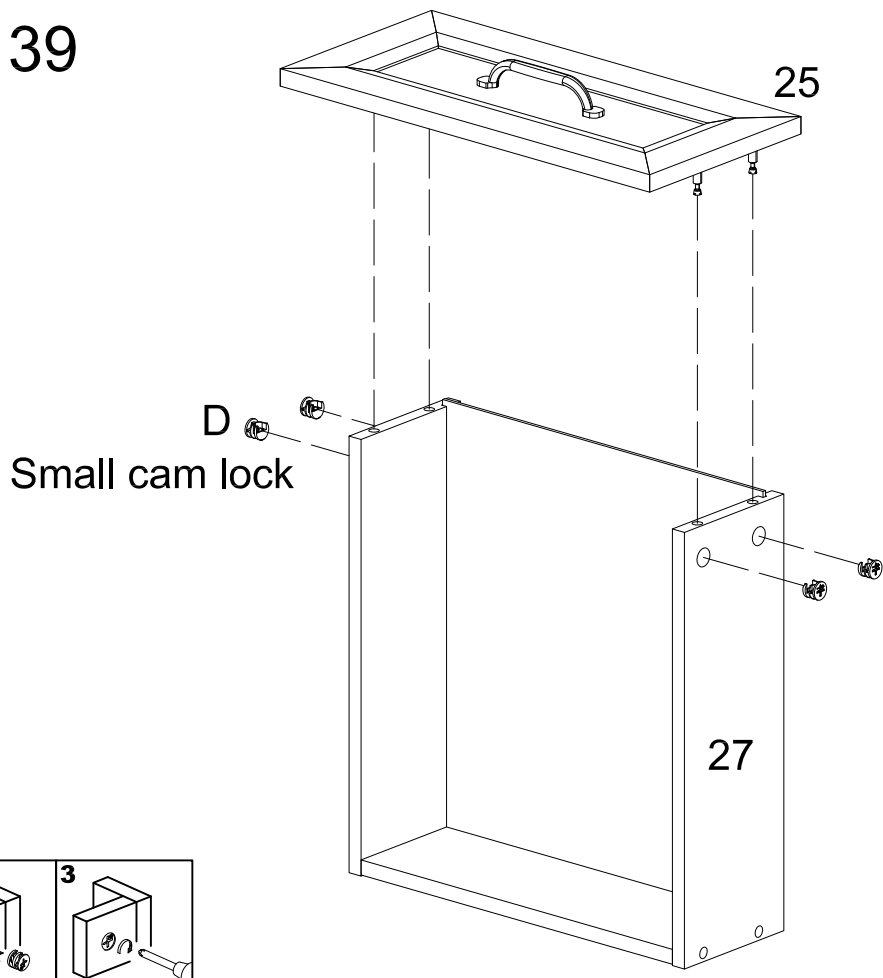
Step 37



Step 38

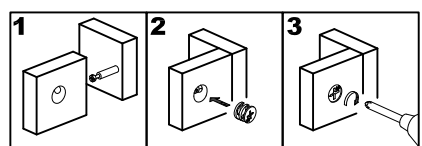
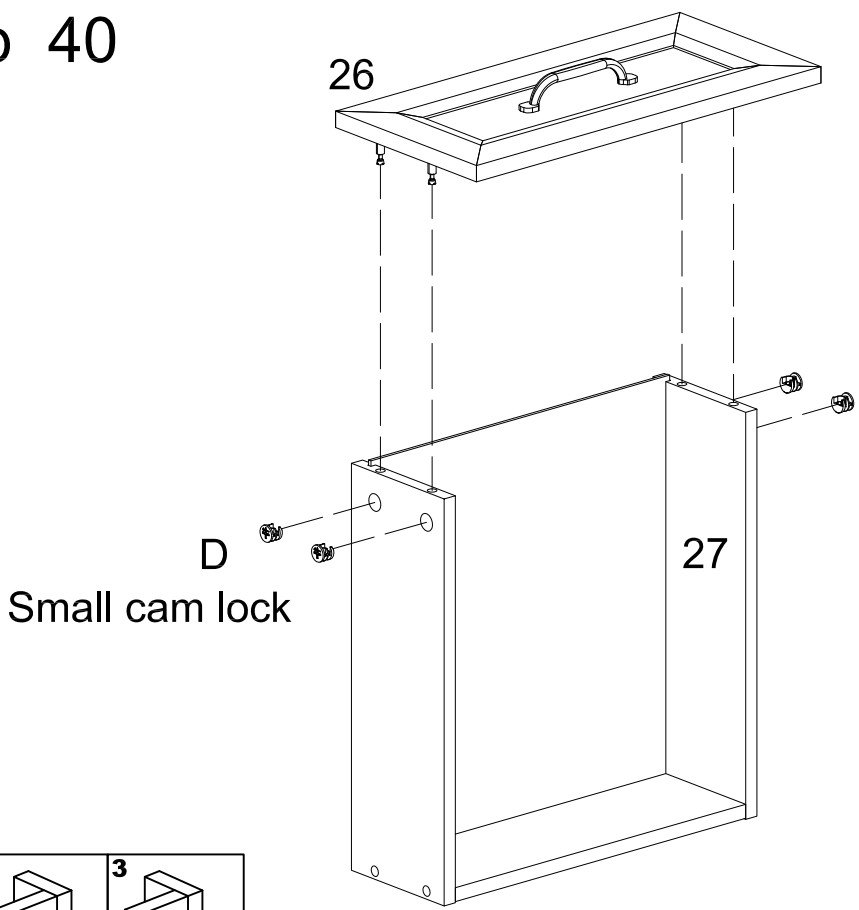


Step 39



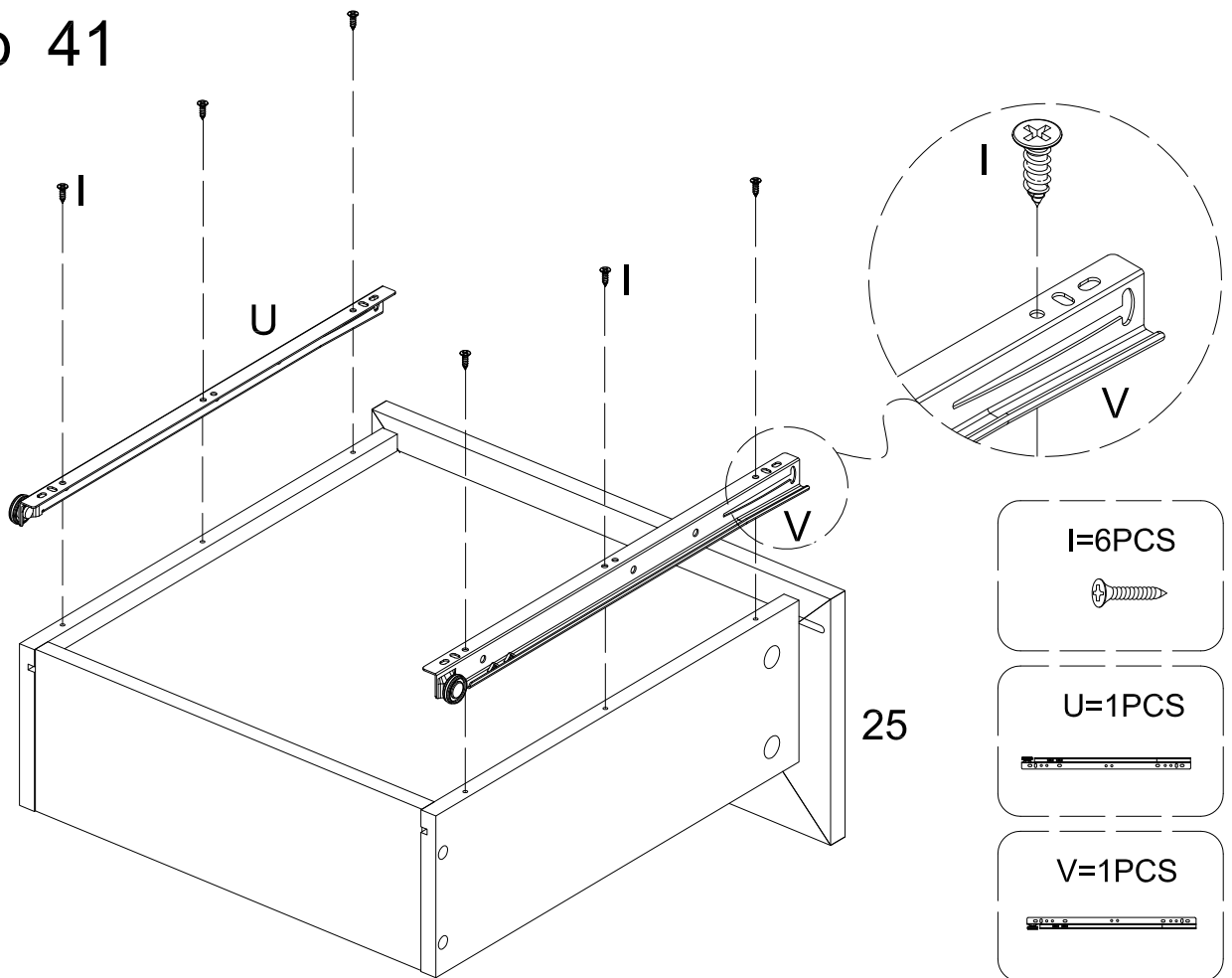
D=4PCS

Step 40

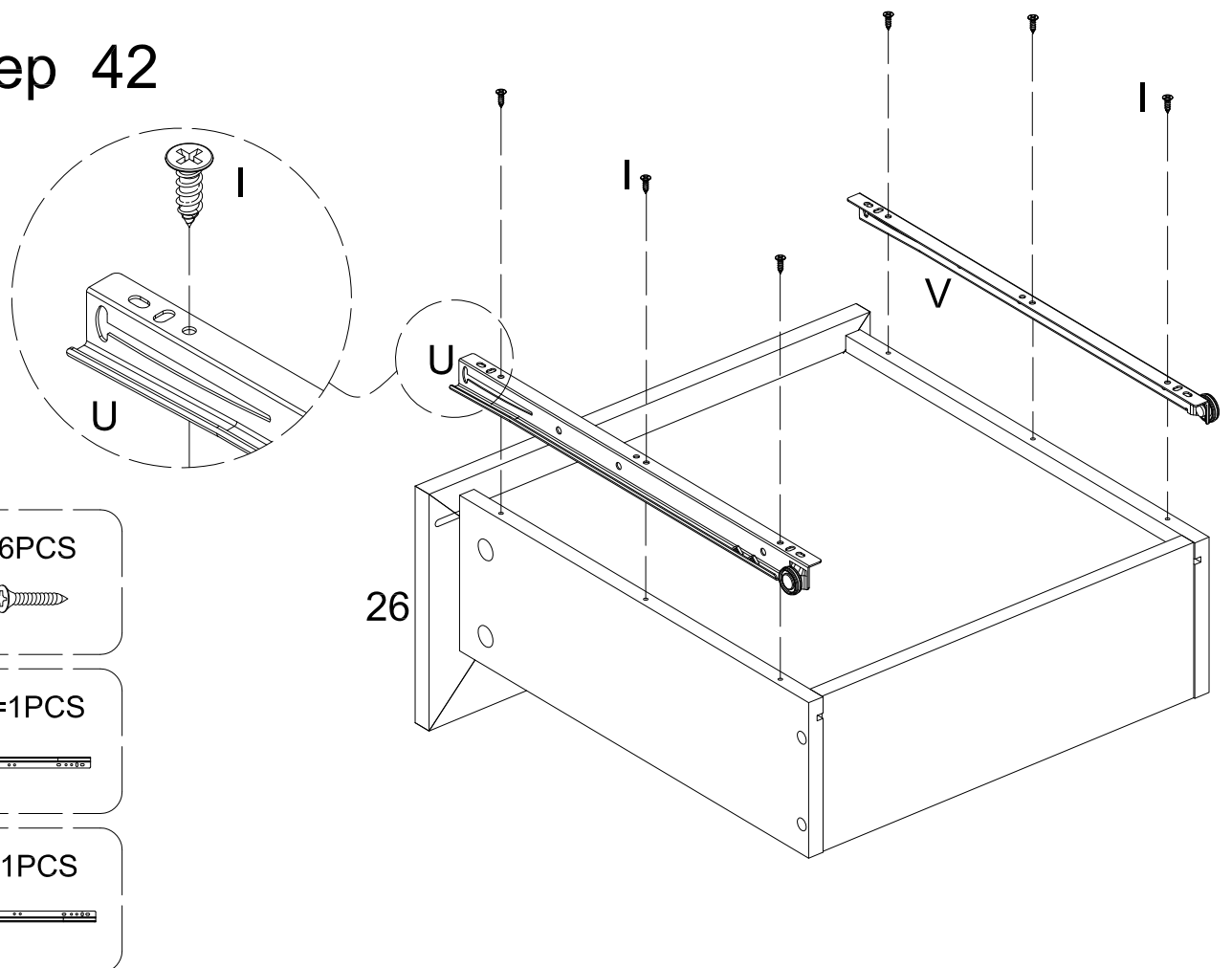


D=4PCS

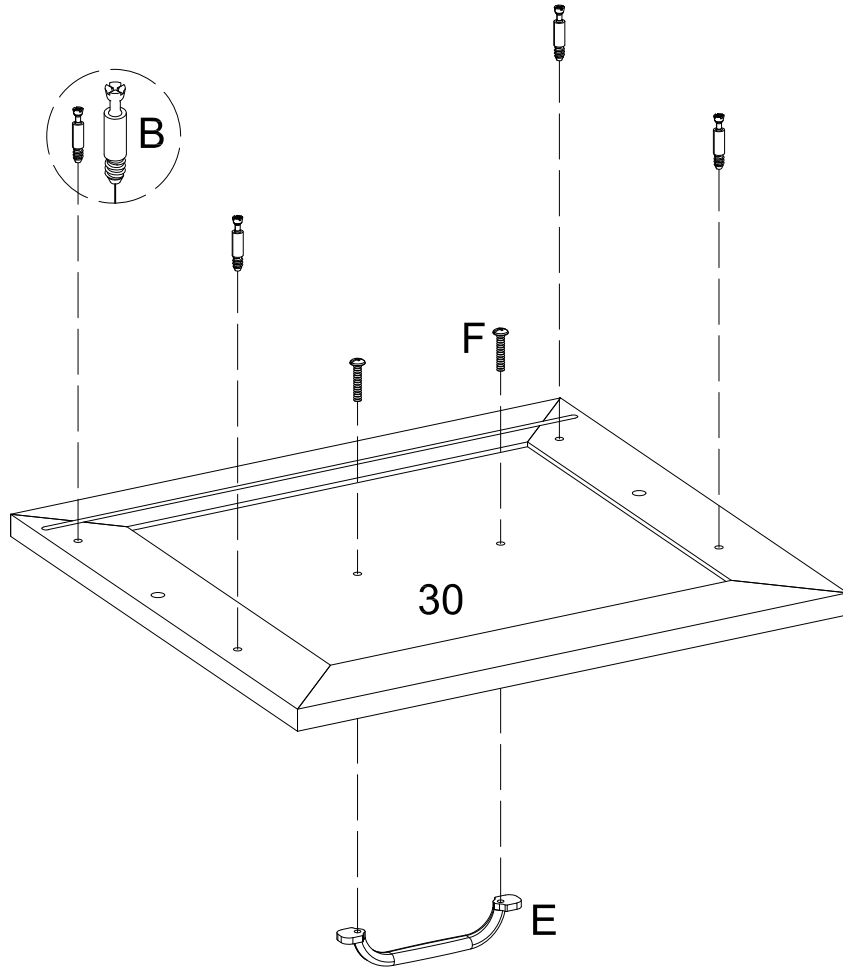
Step 41



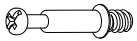
Step 42



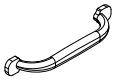
Step 43



B=4PCS



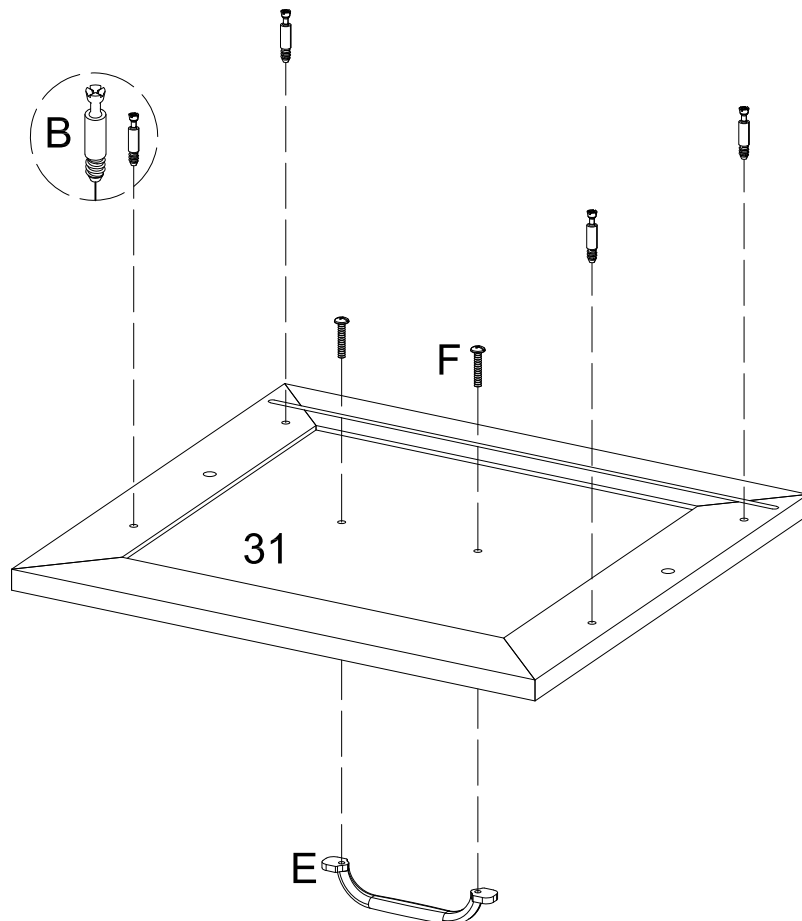
E=1PCS



F=2PCS



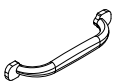
Step 44



B=4PCS



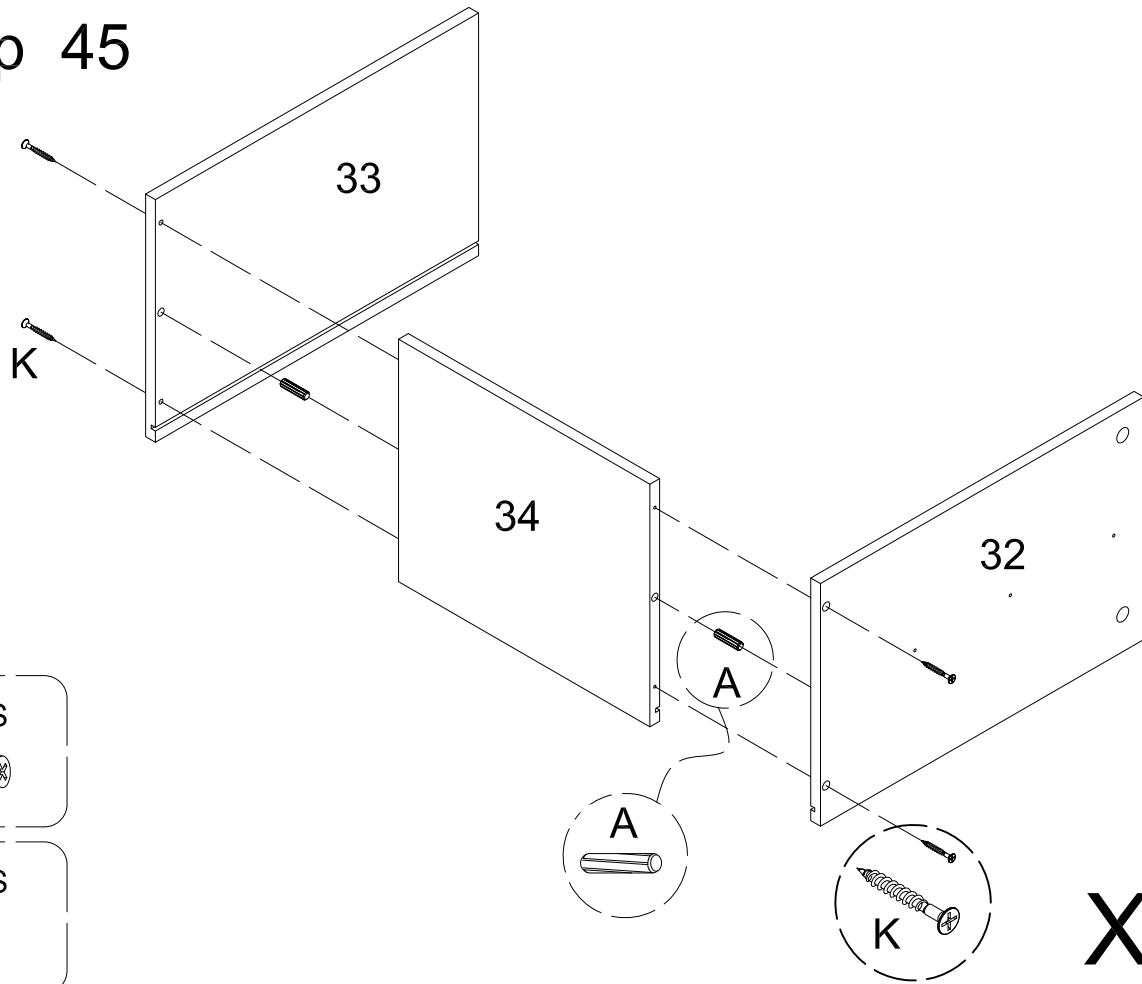
E=1PCS



F=2PCS



Step 45



K=8PCS

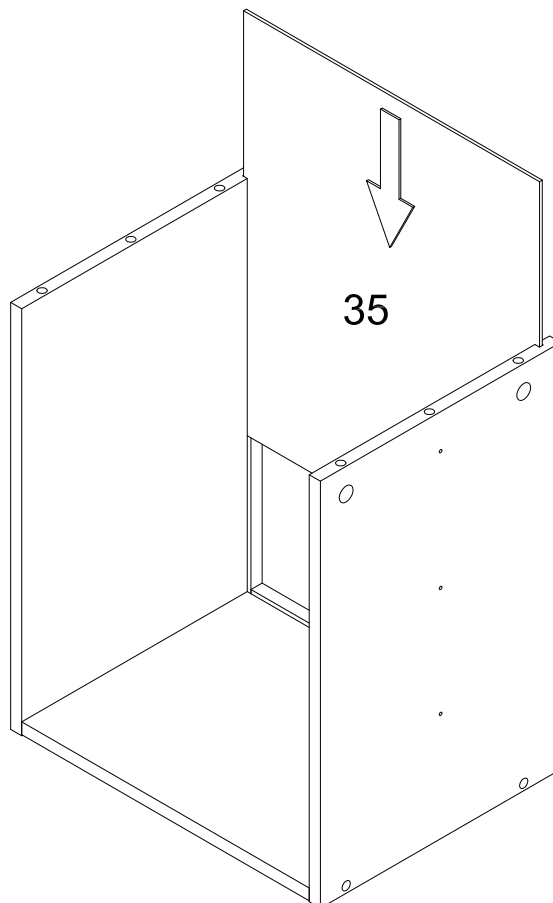


A=4PCS



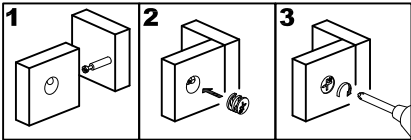
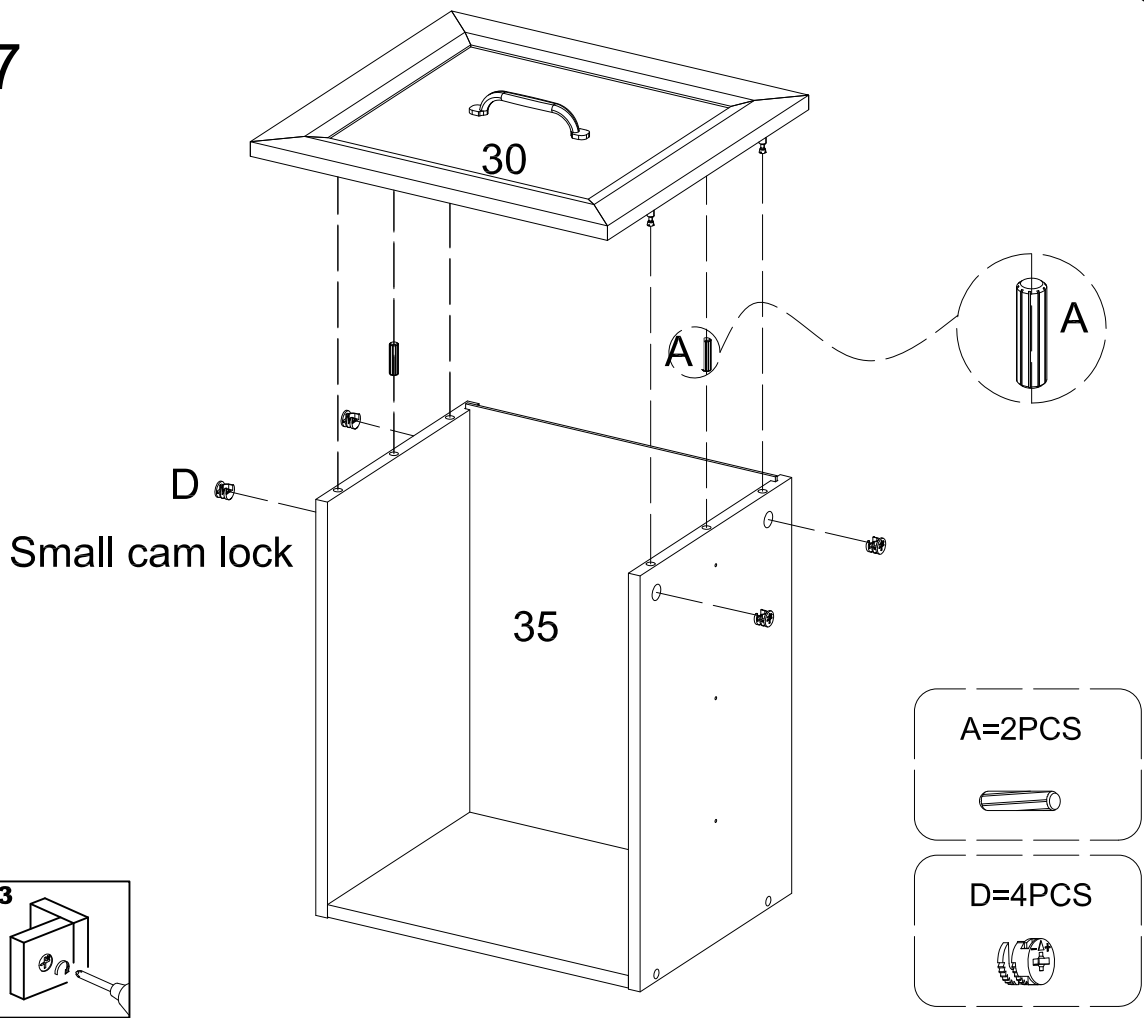
X2

Step 46

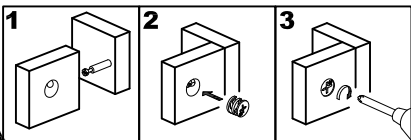
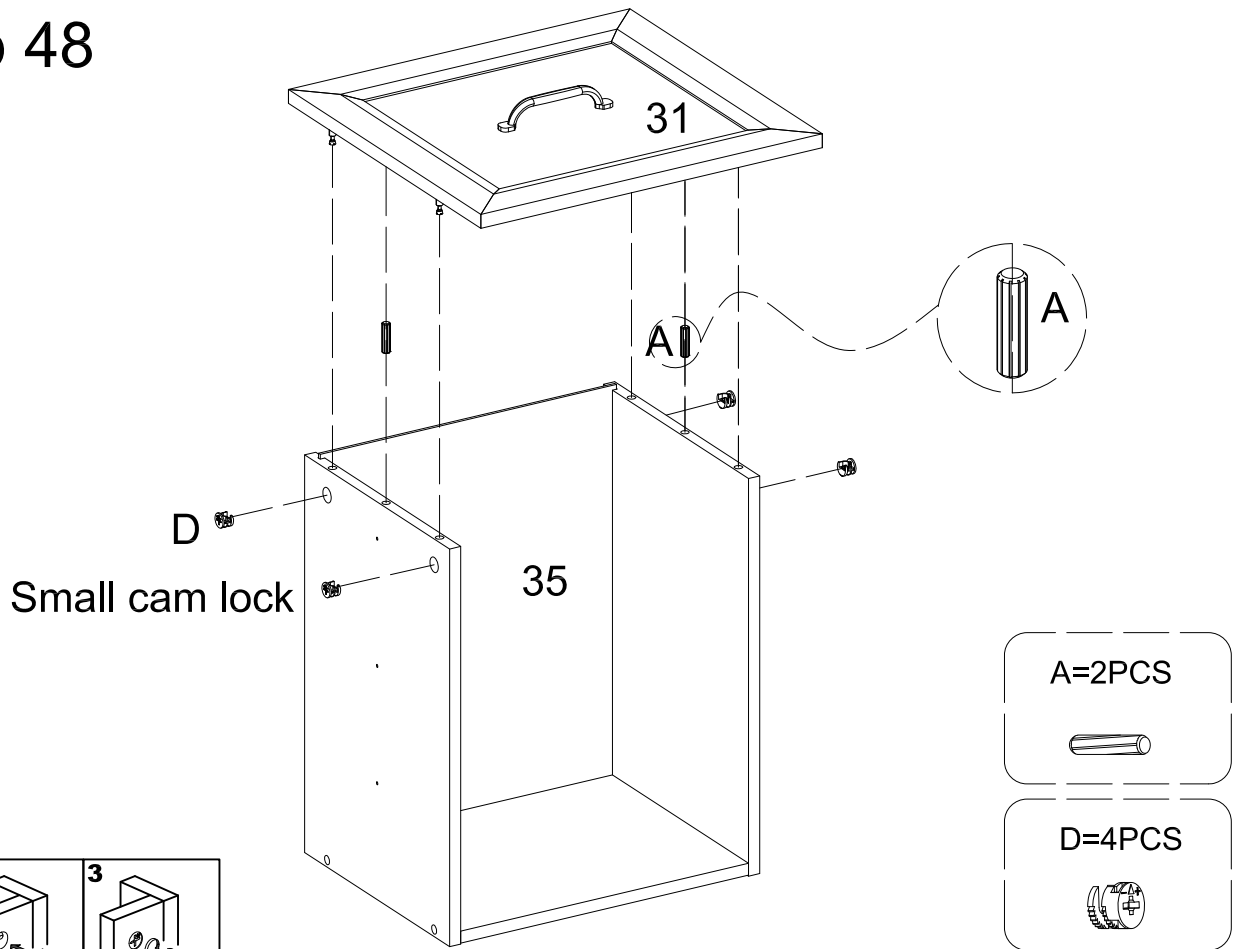


X2

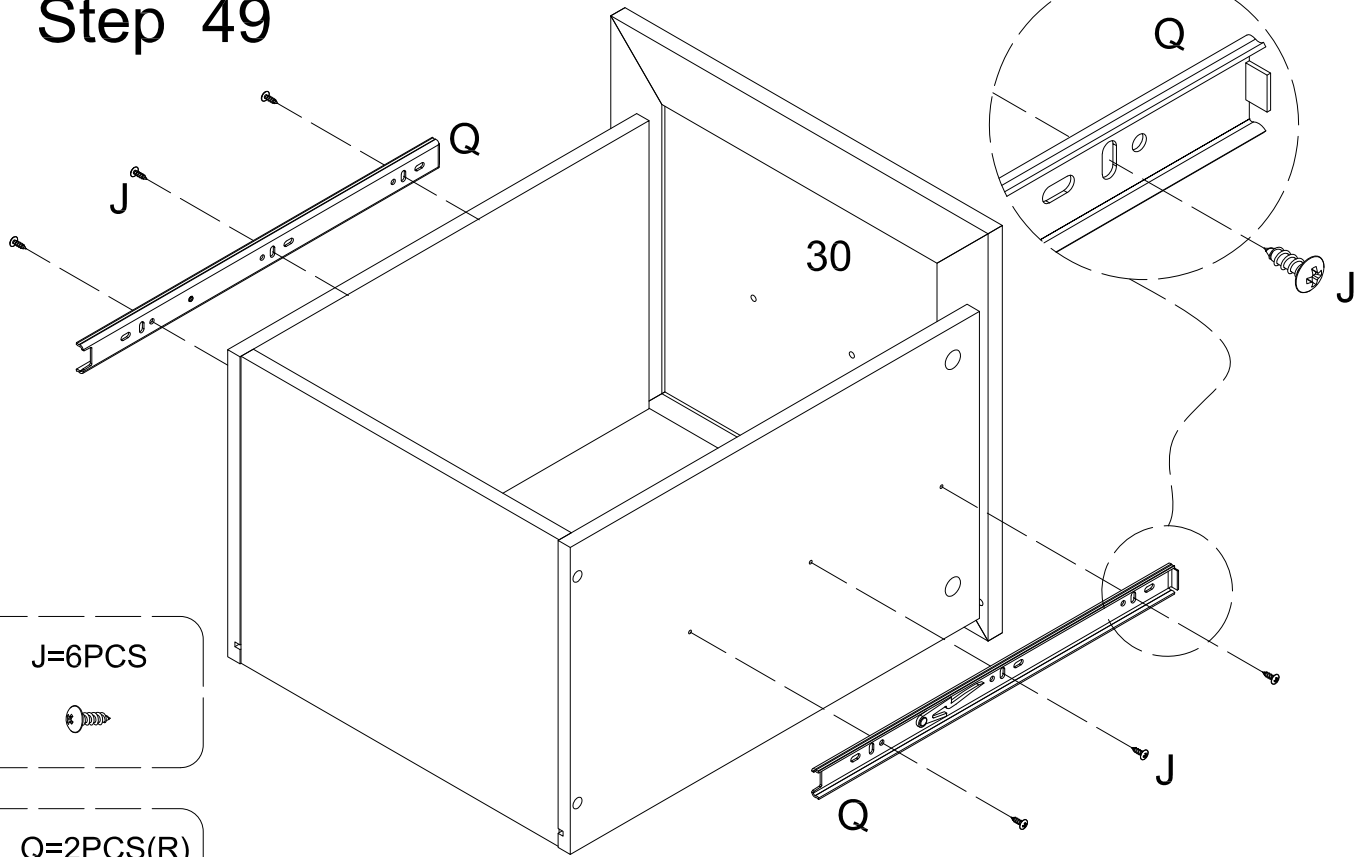
Step 47



Step 48



Step 49



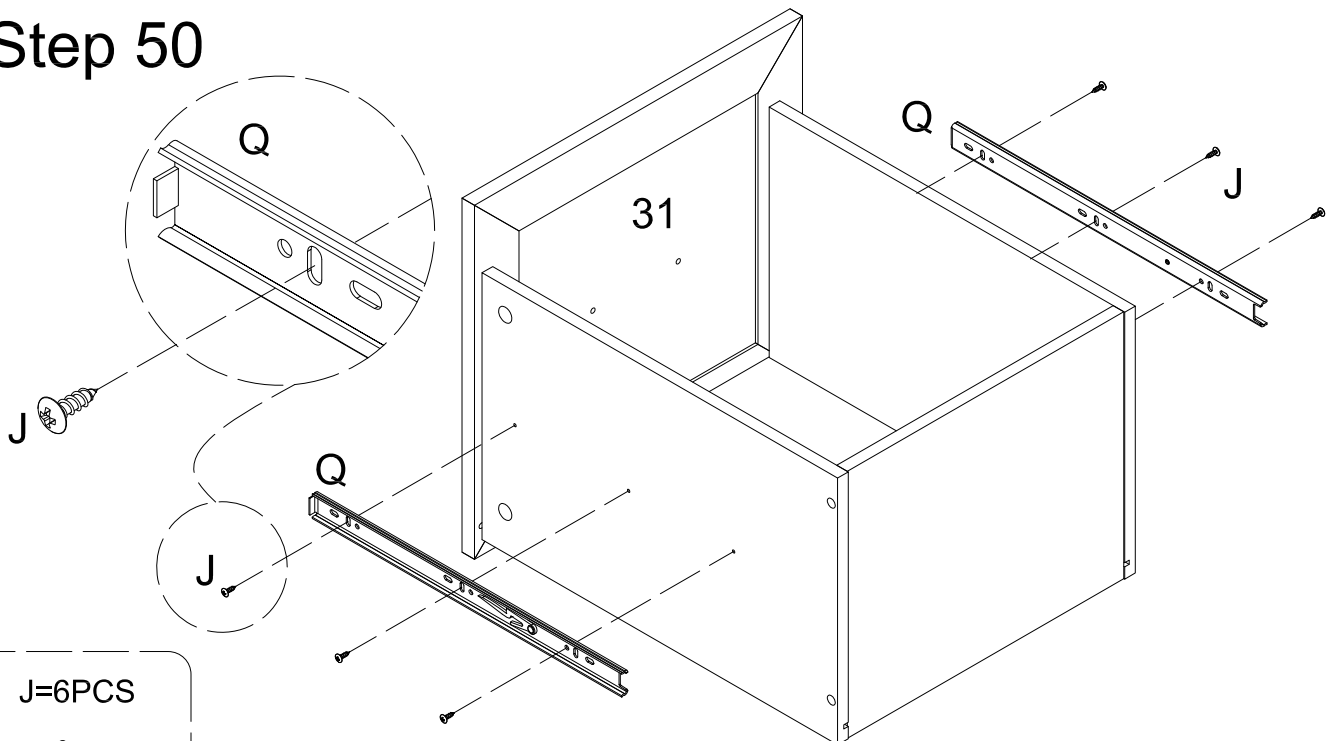
J=6PCS



Q=2PCS(R)



Step 50



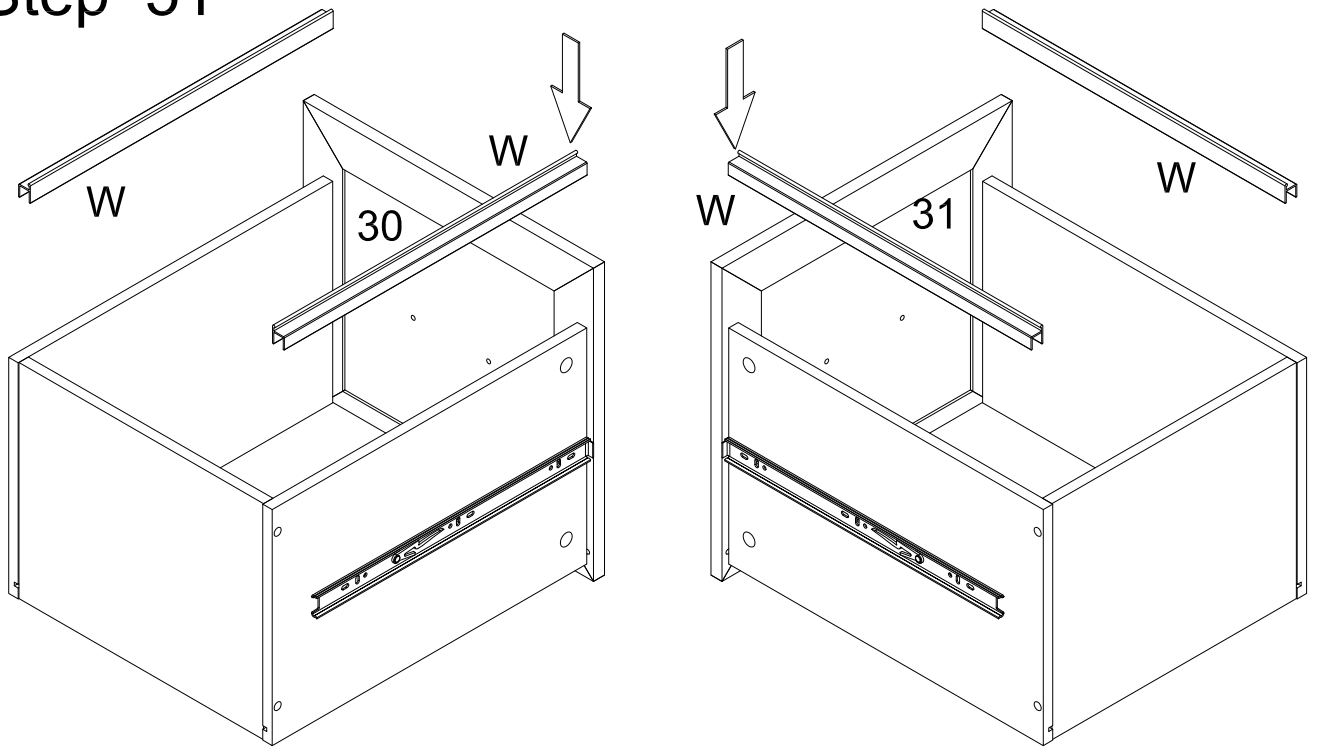
J=6PCS



Q=2PCS(R)



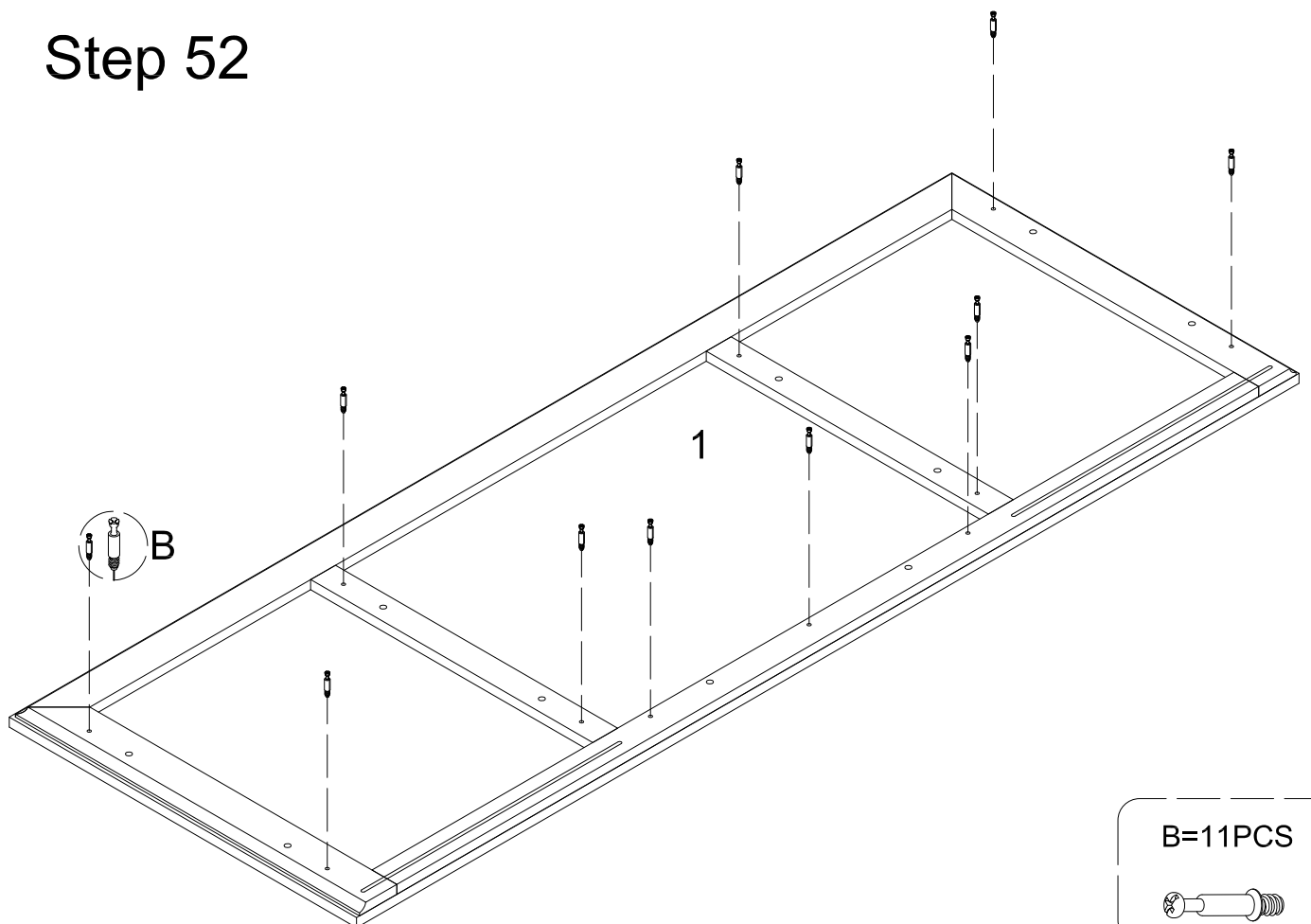
Step 51



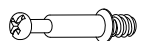
W=4PCS



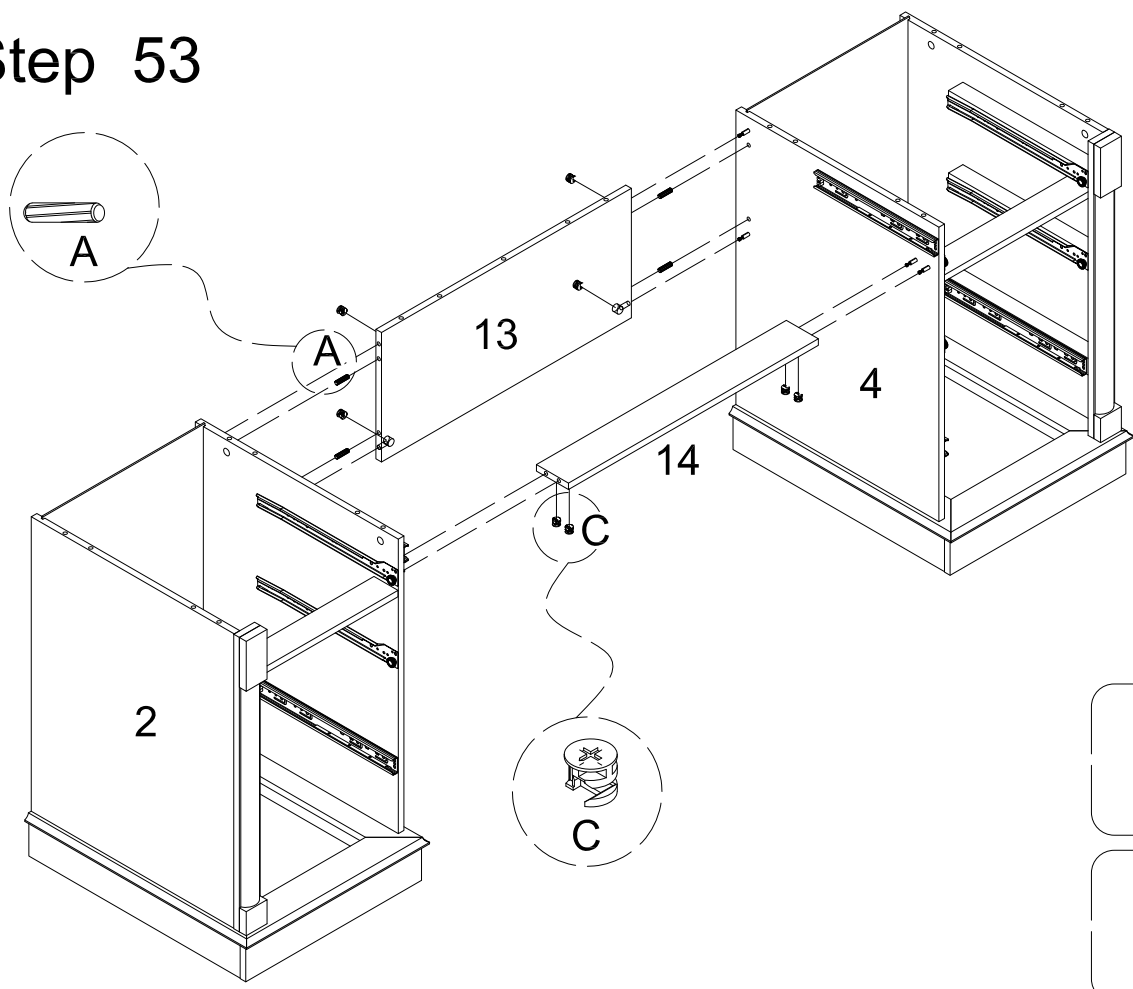
Step 52



B=11PCS



Step 53



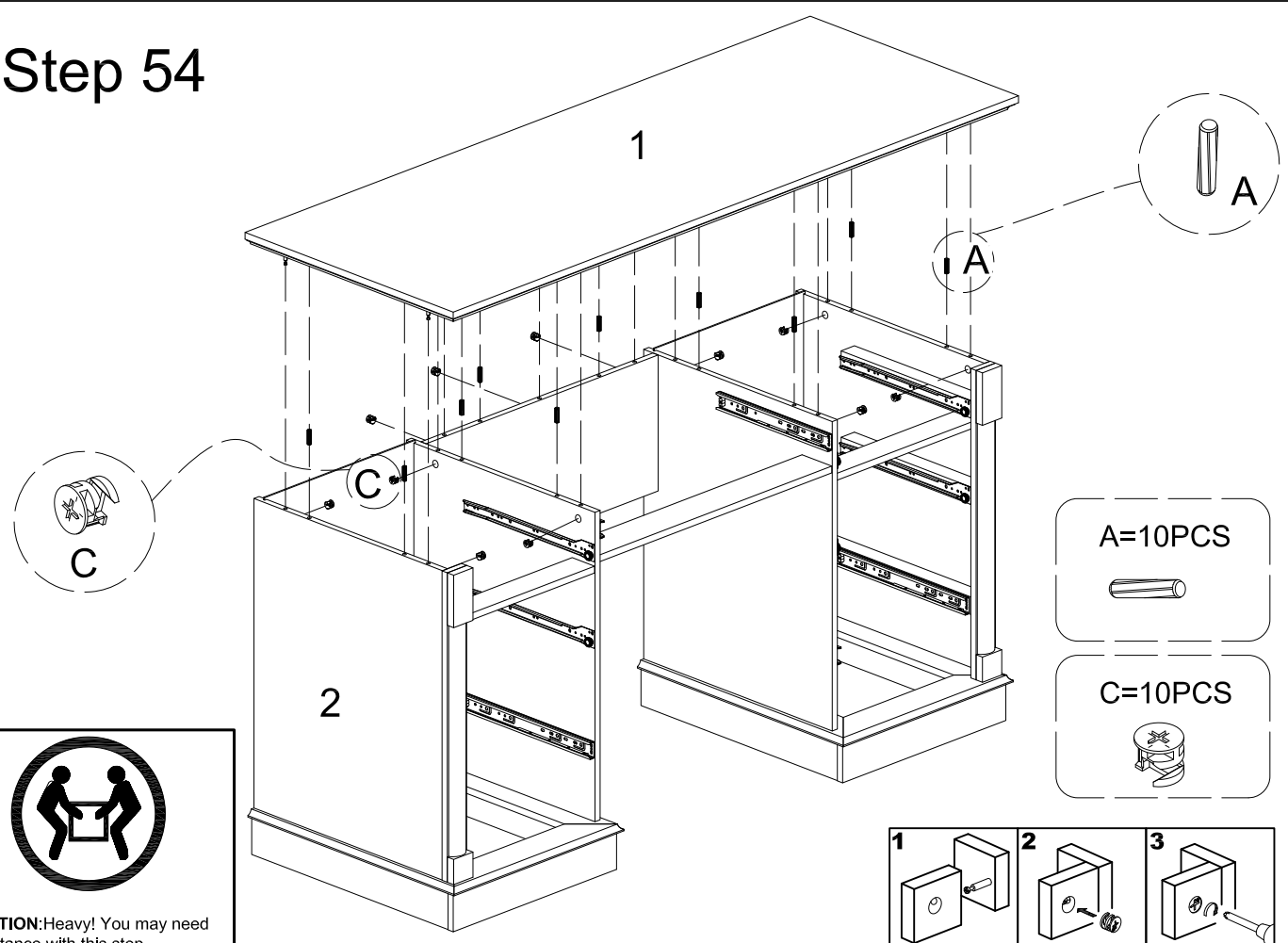
A=4PCS



C=8PCS



Step 54



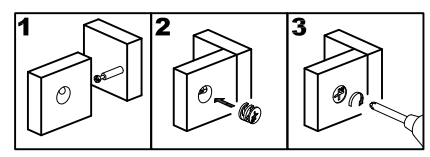
A=10PCS



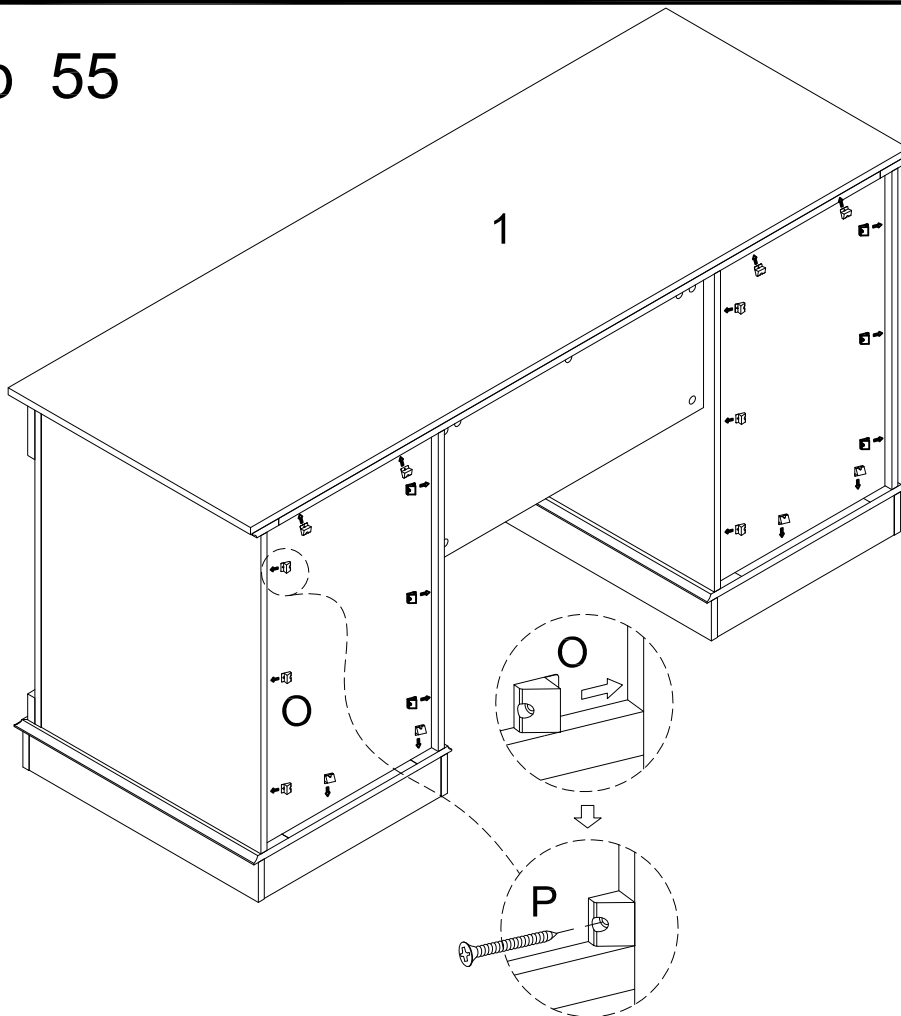
C=10PCS



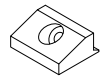
CAUTION: Heavy! You may need assistance with this step.



Step 55



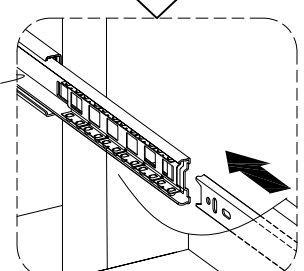
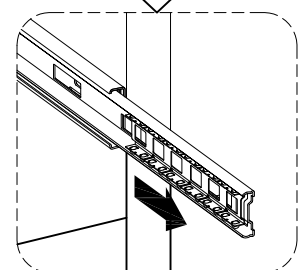
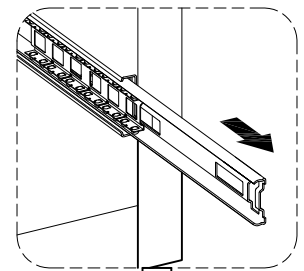
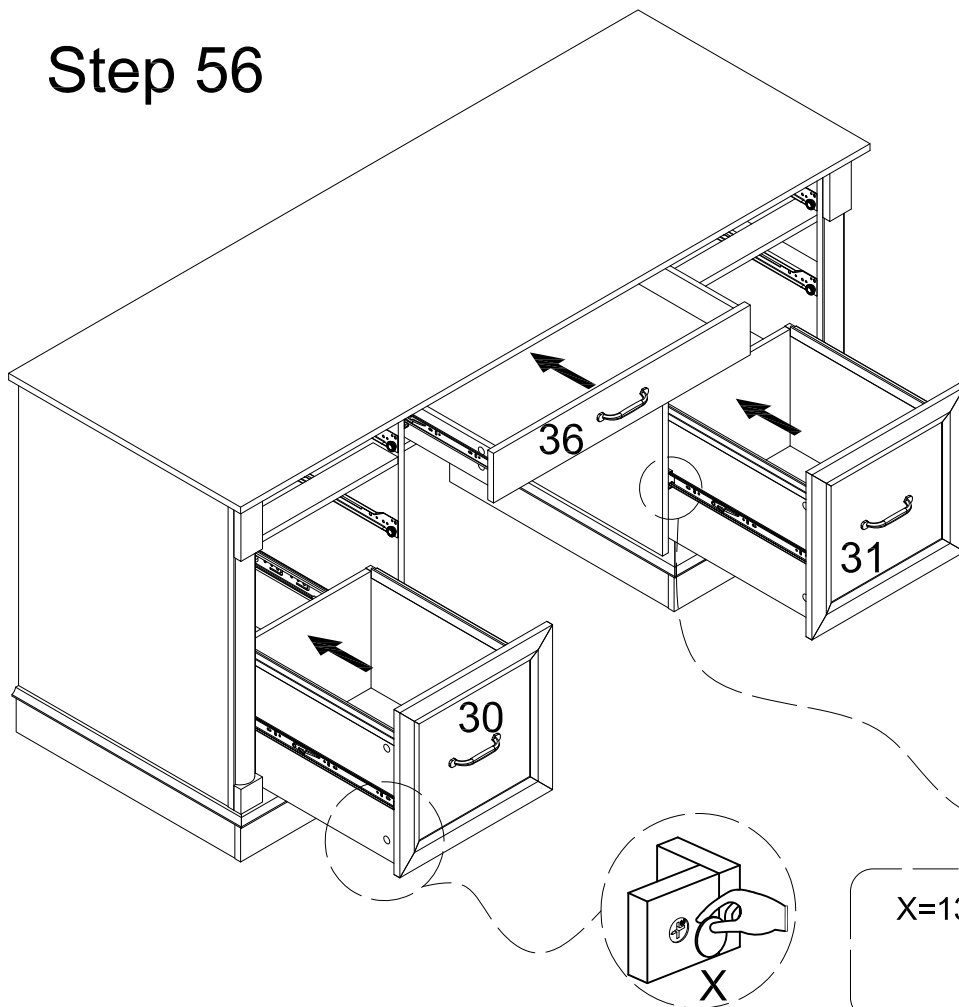
O=20PCS



P=20PCS



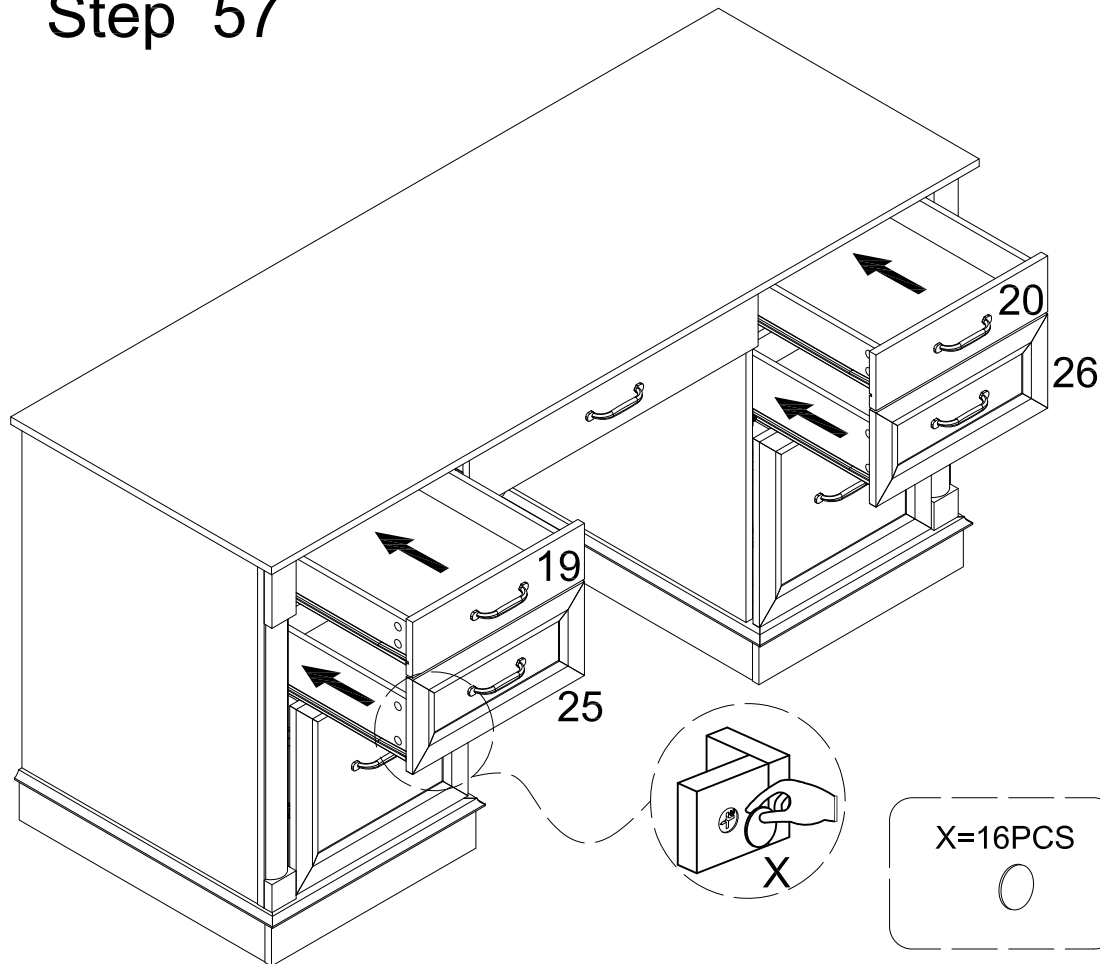
Step 56



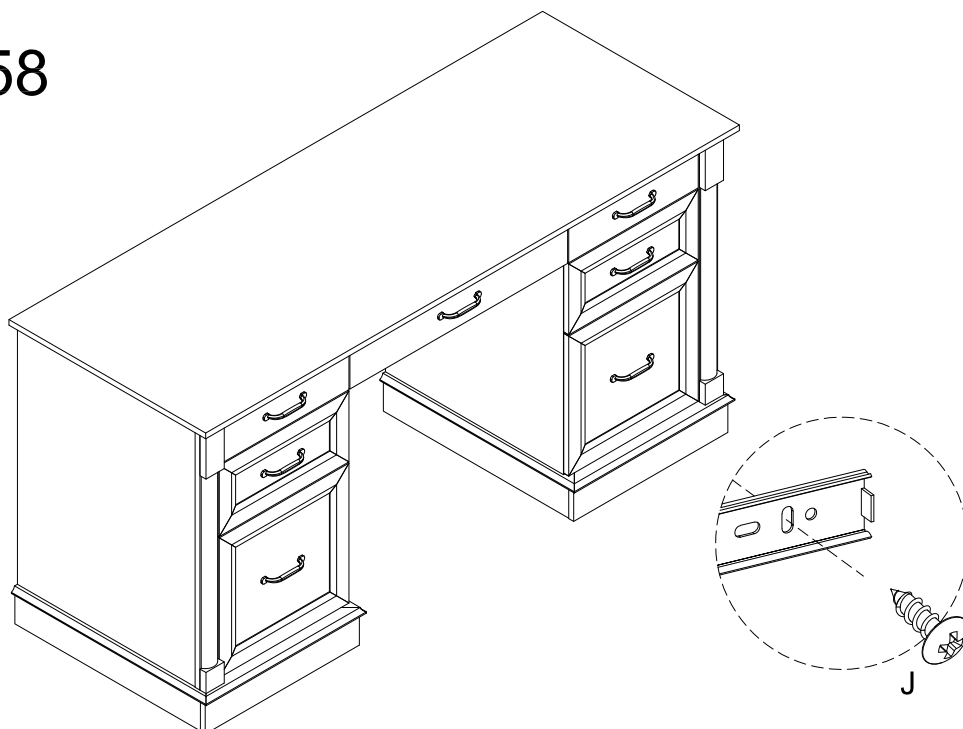
X=13PCS



Step 57



Step 58



Note:

If the File drawer or Keyboard drawer does not go in smoothly. Press or lift the plastic release lever. Pull out the slider bracket from the slider arm. Loosen the screws(J) on slider brackets, You can adjust up or down by a few mm. Then tighten back up. Finally re-assembled the drawer until they were going in smoothly well.

Step 59



Final Assembly