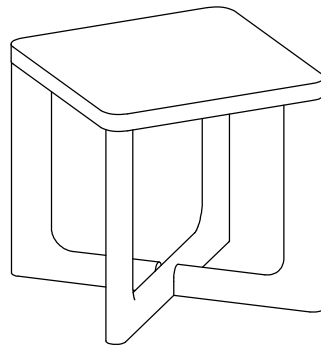
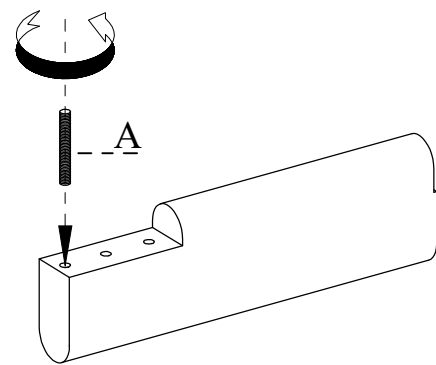
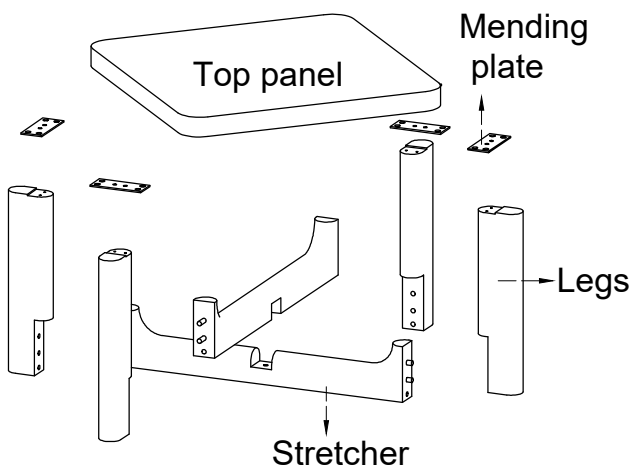


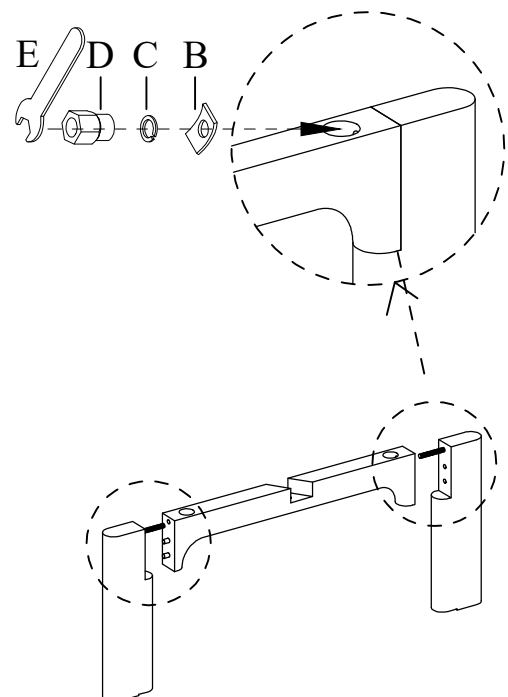
# ASSEMBLY INSTRUCTIONS



## Step 1



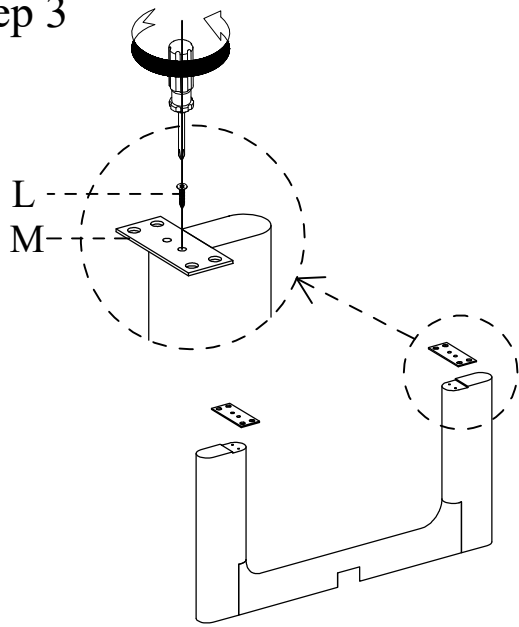
## Step 2



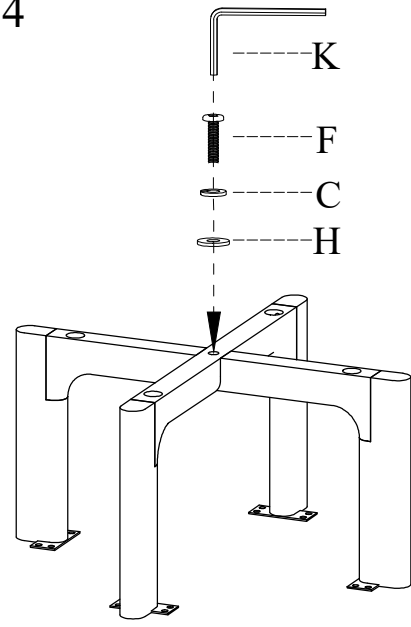
## HARDWARE LIST

A		Threaded rod $\text{Ø}5/16'' \times 3-1/2''$	4pcs
B		Half moon washer $\text{Ø}5/16''$	4pcs
C		Spring Washer $\text{Ø}5/16''$	21pcs
D		Nut $\text{Ø}5/16'' \times \text{M}12$	4pcs
E		Wrench M12	1pc
F		Bolt $\text{Ø}5/16'' \times 1-1/4''$	1pc
G		Bolt $\text{Ø}5/16'' \times 3/4''$	16pcs
H		Flat Washer $\text{Ø}5/16'' \times \text{Ø}5/8''$	17pcs
K		Allen Wrench (5mm)	1pc
L		Screw	8pcs
M		Mending plate	4pcs

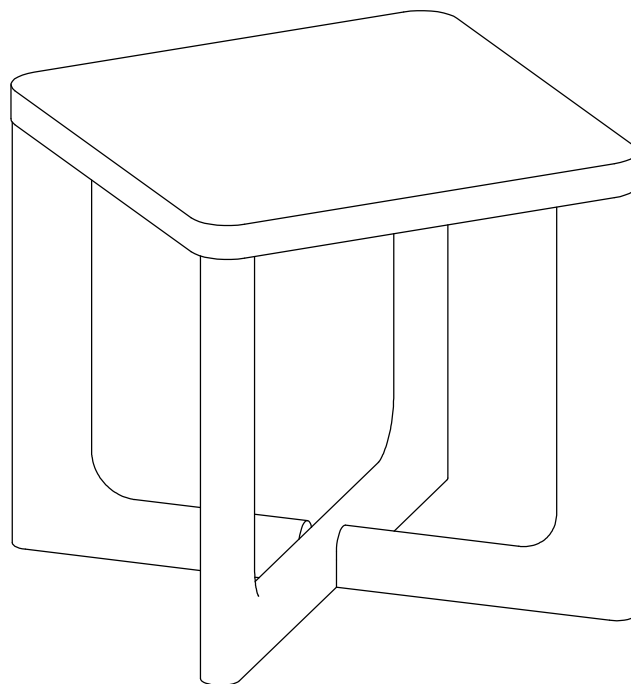
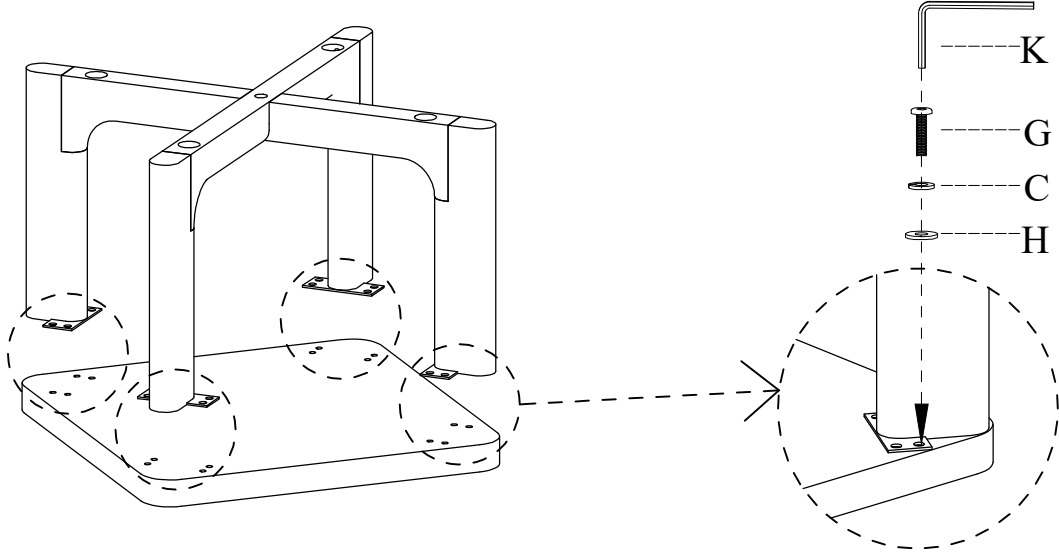
Step 3



Step 4



Step 5



OK