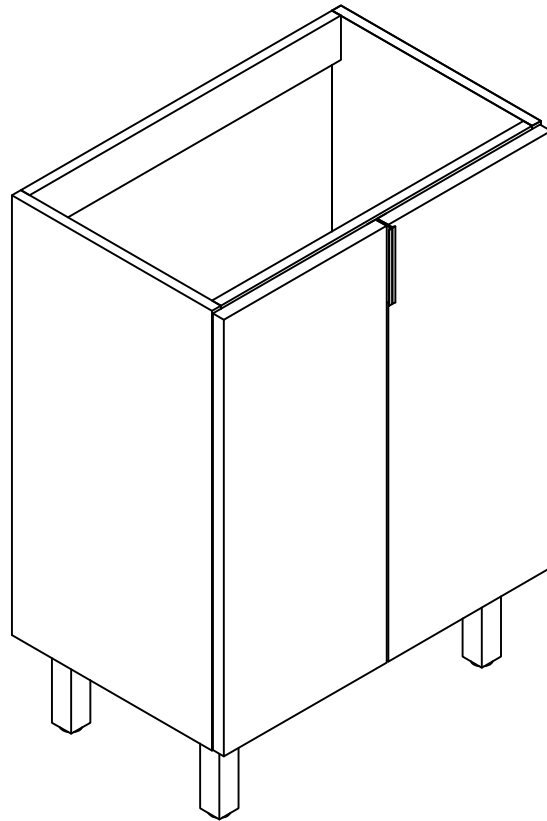
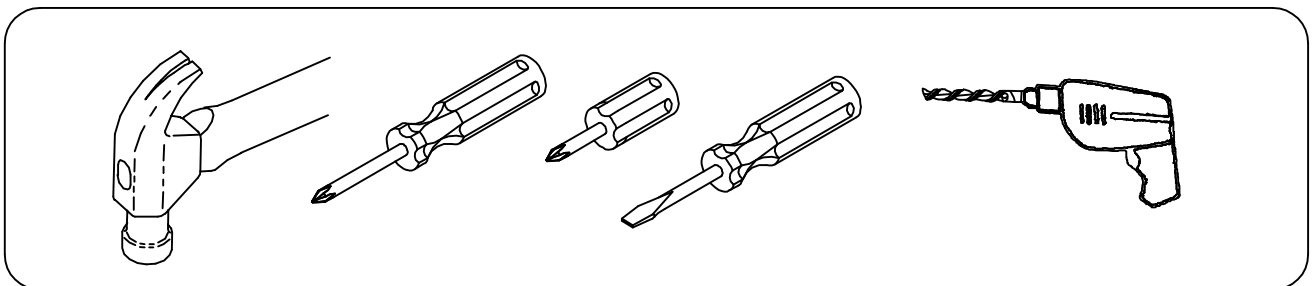


Installation & Assembly

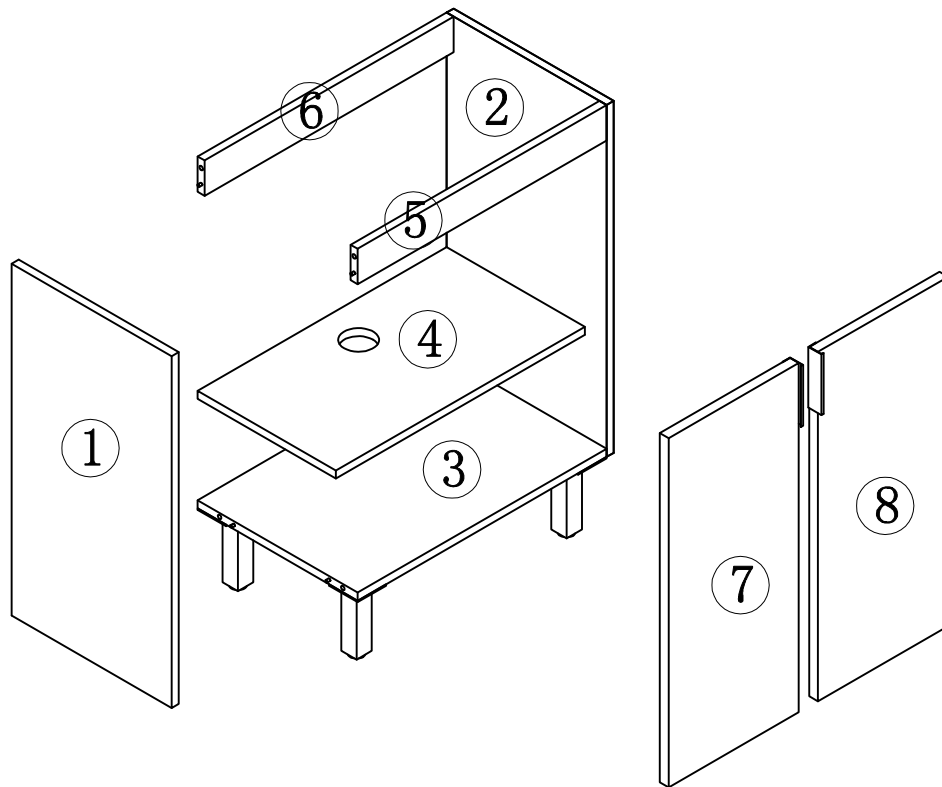


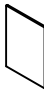

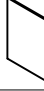

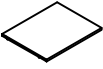


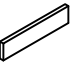
For the convenience and neatness of reading the manual, the door panel here is displayed using a simple drawing method.













YOU MAY NEED (NOT SUPPLY)





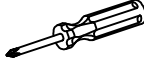
ASSEMBLY DIAGRAM



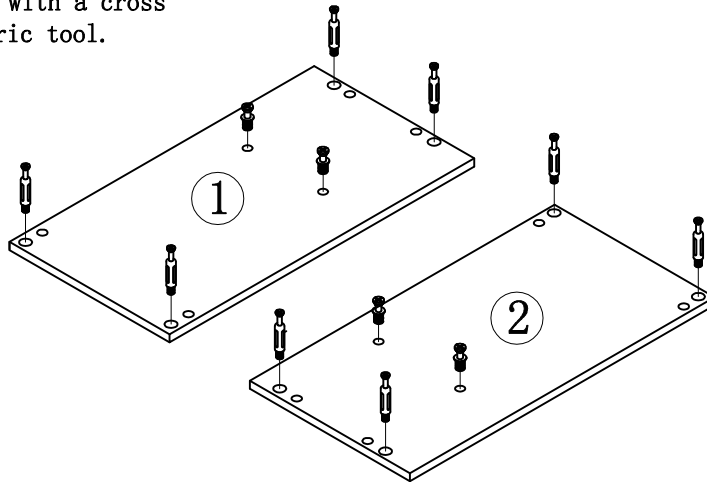
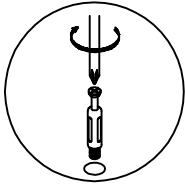
PARTS LIST					
PARTS LIST					
NO	DESCRIPTION	QTY	NO	DESCRIPTION	QTY
①	Left side panel 	1	⑥	Back fixed panel 	1
②	Right side panel 	1	⑦	Left door panel 	1
③	Bottom panel 	1	⑧	Right door panel 	1
④	clapboard 	1			
⑤	Front fixed panel 	1			

PARTS LIST					
HARDWARE LIST					
NO	DESCRIPTION	QTY	NO	DESCRIPTION	QTY
A	Three-in-one eccentric wheel 	8	G	4*16mm screw 	36
B	Three-in-one connecting rod 	8	H	4*12mm screw 	4
C	Three-in-one sticker 	8	I	Door handle 	2
D	8*40mm wood dowel pins 	8	J	Metal feet 	4
E	Two-in-one lock handle 	4	K	Pipe Plug 	1
F	Two-in-one screws 	4	L	Door hinges 	4
CAUTION: Please confirm the parts list before installation					

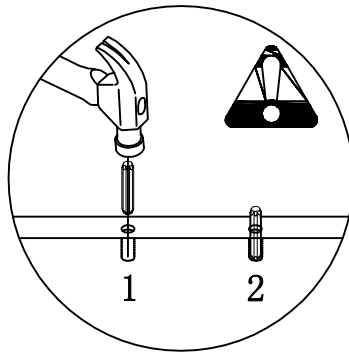
STEP 1

HARDWARE LIST		
Three-in-one connecting rod B  8PCS	Two-in-one screws F  4PCS	

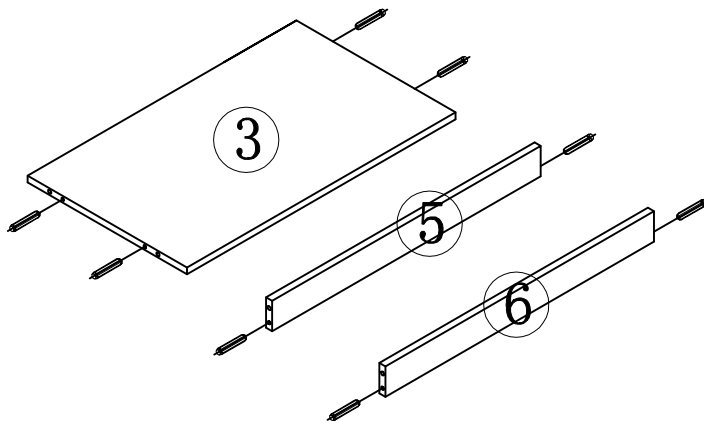
1. Put the three-in-one connecting rod in the 10mm hole of the following panels and tighten them with a cross screwdriver or an electric tool.


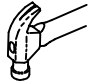


STEP 2

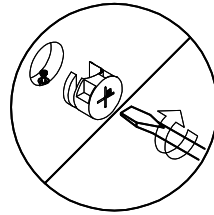
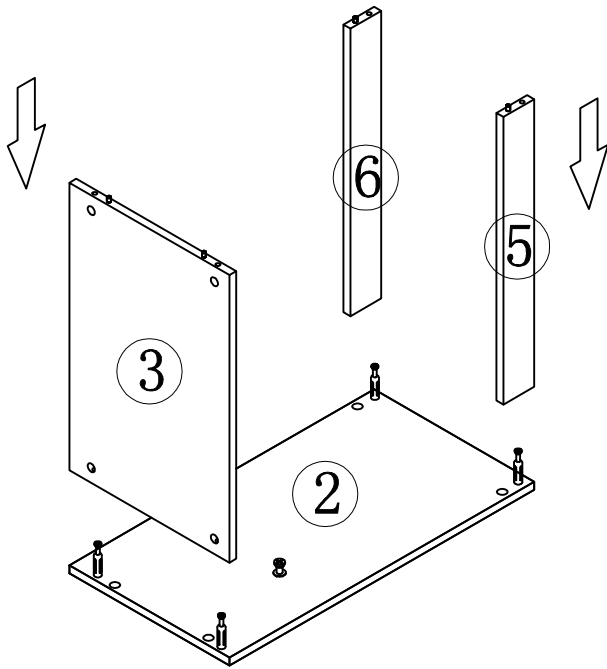


1. Strike the 08*40mm wood dowel pin into the 8m hole of the above panels with an iron hammer. Please note that the hole of the three-in-one connecting rod should also be 8mm. The hole of the three-in-one connecting rod connects to the hole of 15mm three-in-one eccentric wheel.

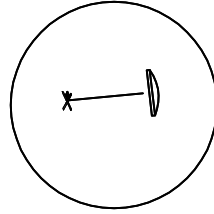


HARDWARE LIST	
8*40mm wood dowel pins D  8PCS	




STEP 3



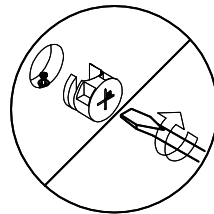
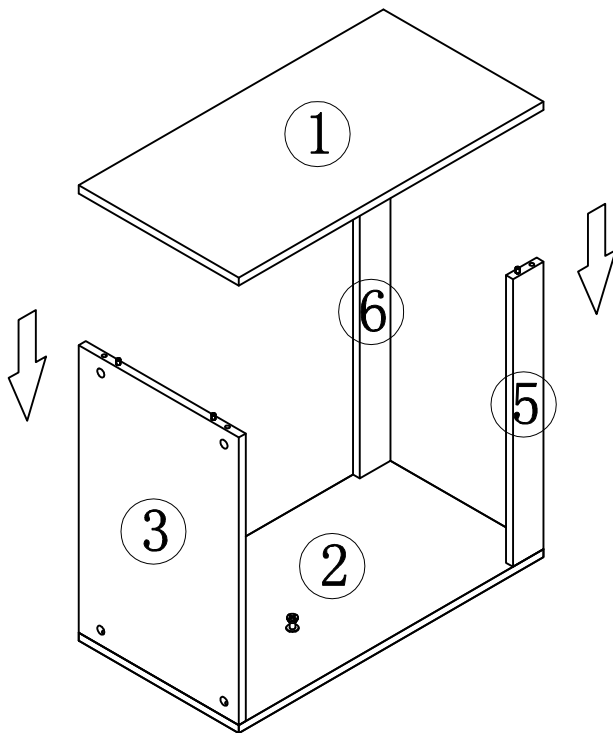
1. Connect No. 3-5-6 panel to No. 2 panel tightly with the three-in-one eccentric wheel.



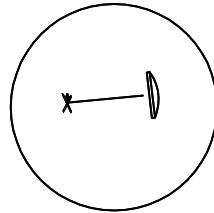
2. Cover the mounting hole of the eccentric wheel with a three-in-one sticker.

HARDWARE LIST		
Three-in-one eccentric wheel A  4PCS	Three-in-one sticker C  4PCS	


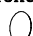

STEP 4



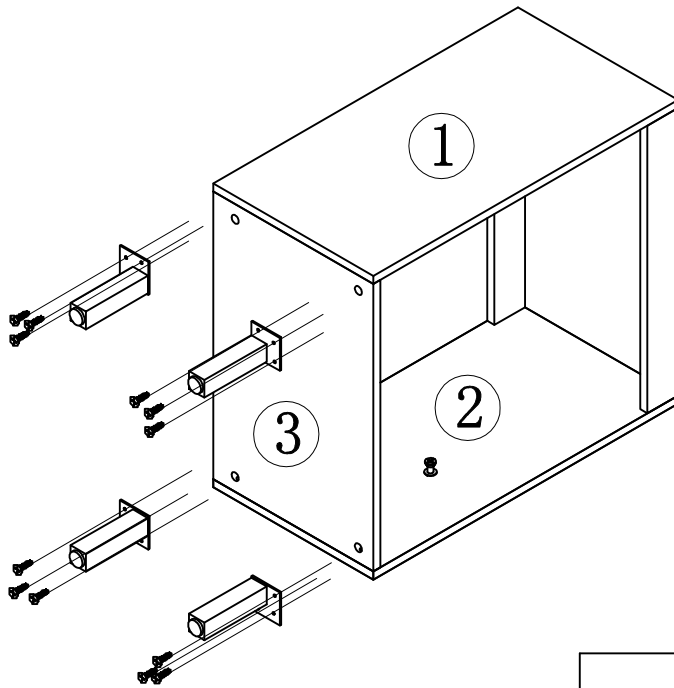
1. Connect No. 1 panel to No. 3-5-6 panel tightly with the three-in-one eccentric wheel.






2. Cover the mounting hole of the eccentric wheel with a three-in-one sticker.

HARDWARE LIST		
Three-in-one eccentric wheel A  4PCS	Three-in-one sticker C  4PCS	

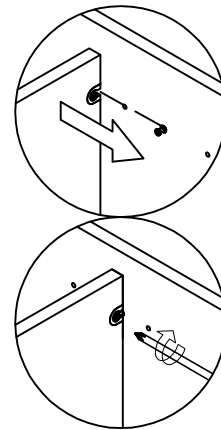
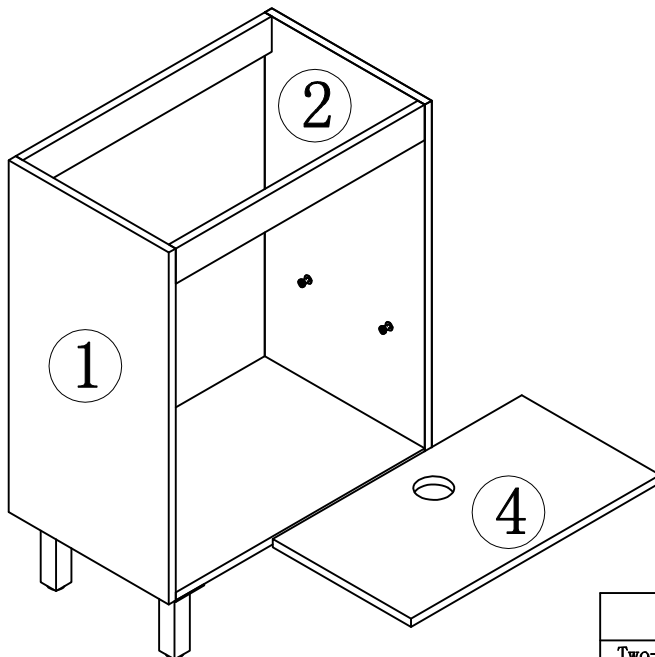
STEP 5






Use 4*16 screws to fix the Metal feet

HARDWARE LIST		
4*16mm screw	Metal feet	
G  12PCS	J  4PCS	

STEP 6

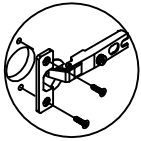
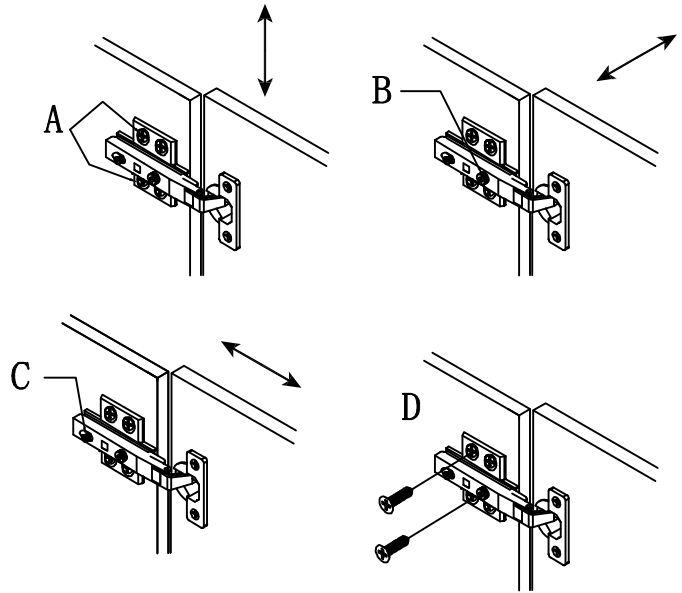
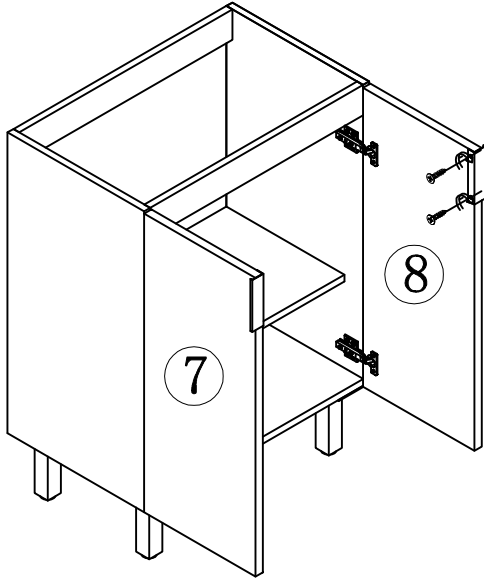


Fix the two-in-one lock handle on No.4 plate and put it in the cabinet. Put the pipe plug on No. 4 plate

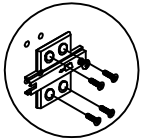
HARDWARE LIST		
Two-in-one lock handle	Pipe Plug	
E  4PCS	K  1PCS	

STEP 7

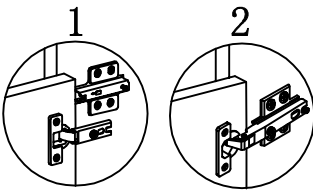
The handle can be installed with 4 * 12mm screws according to the customer's preferred position.



1. Install the hinge cup to the door panel with 4*16mm screws.



2. Install the hinge to the side panel with 4*16mm screws.



3. Install the hinge cup on the door panel to the hinge of the side panel.

A. Height adjustment

B. Depth adjustment

C. Side to side adjustment

D. After adjustment

A/B/C, tighten screws.

● To ensure proper cabinet alignment, refer to the above illustrations for instructions about adjusting the cabinet height, depth and lateral movement.

HARDWARE LIST				
4*16mm screw	Door hinge	Door handle	4*12mm screw	
G  24PCS	L  4PCS	I  2PCS	H  4PCS	



Choking hazard-Small Parts : This unit contains small parts, not for children under 3 years.

Tip-over hazard : Secure finished unit to wall stud using L-Bracket and wall screw (#10*1.5"W/out provided). If a wall stud is not neccessible , Consault your local hardware store for appropriate mounting hardware . Failure to properly install will result in product collapse or tip-over. Serious injury can occur .