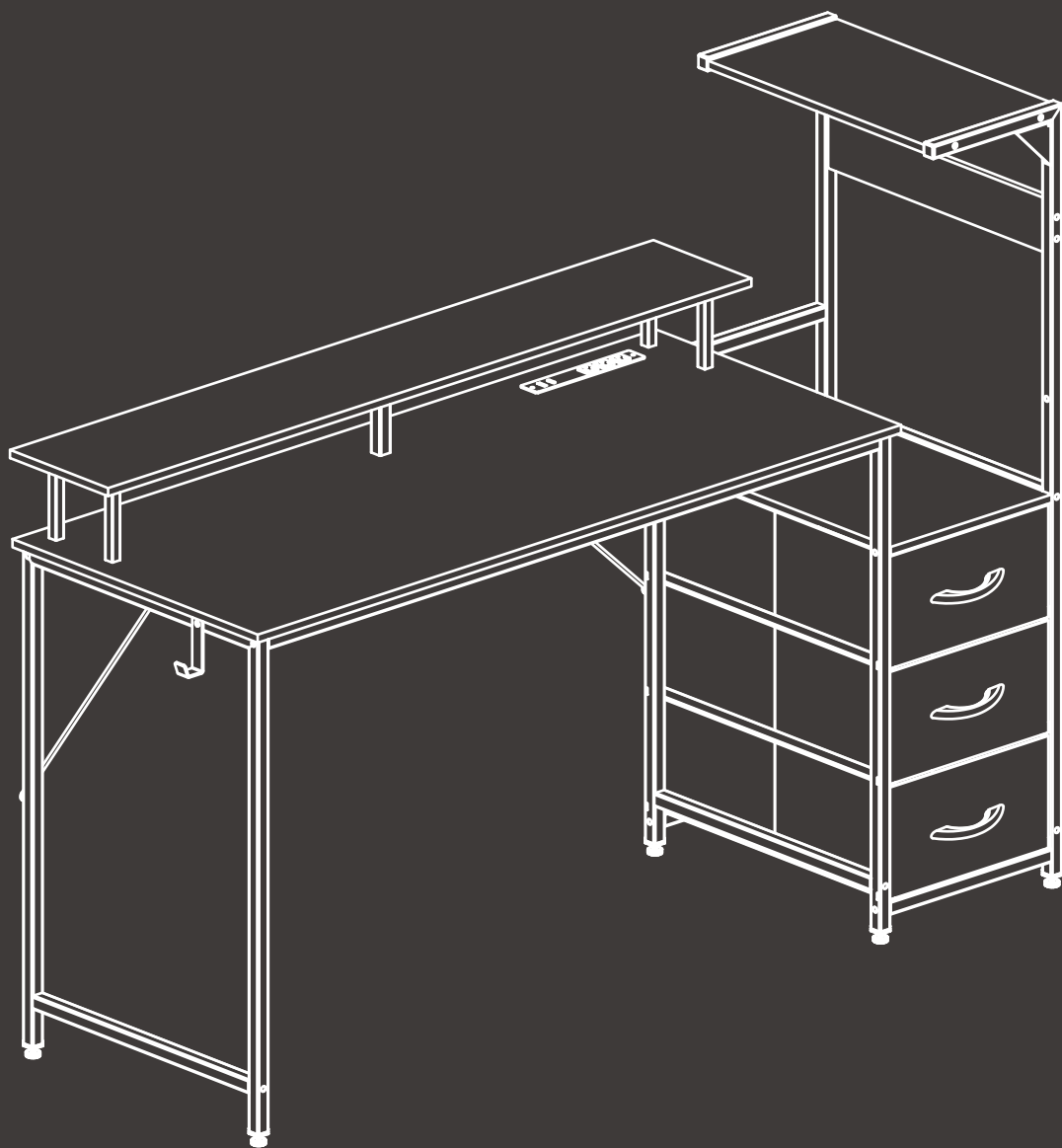
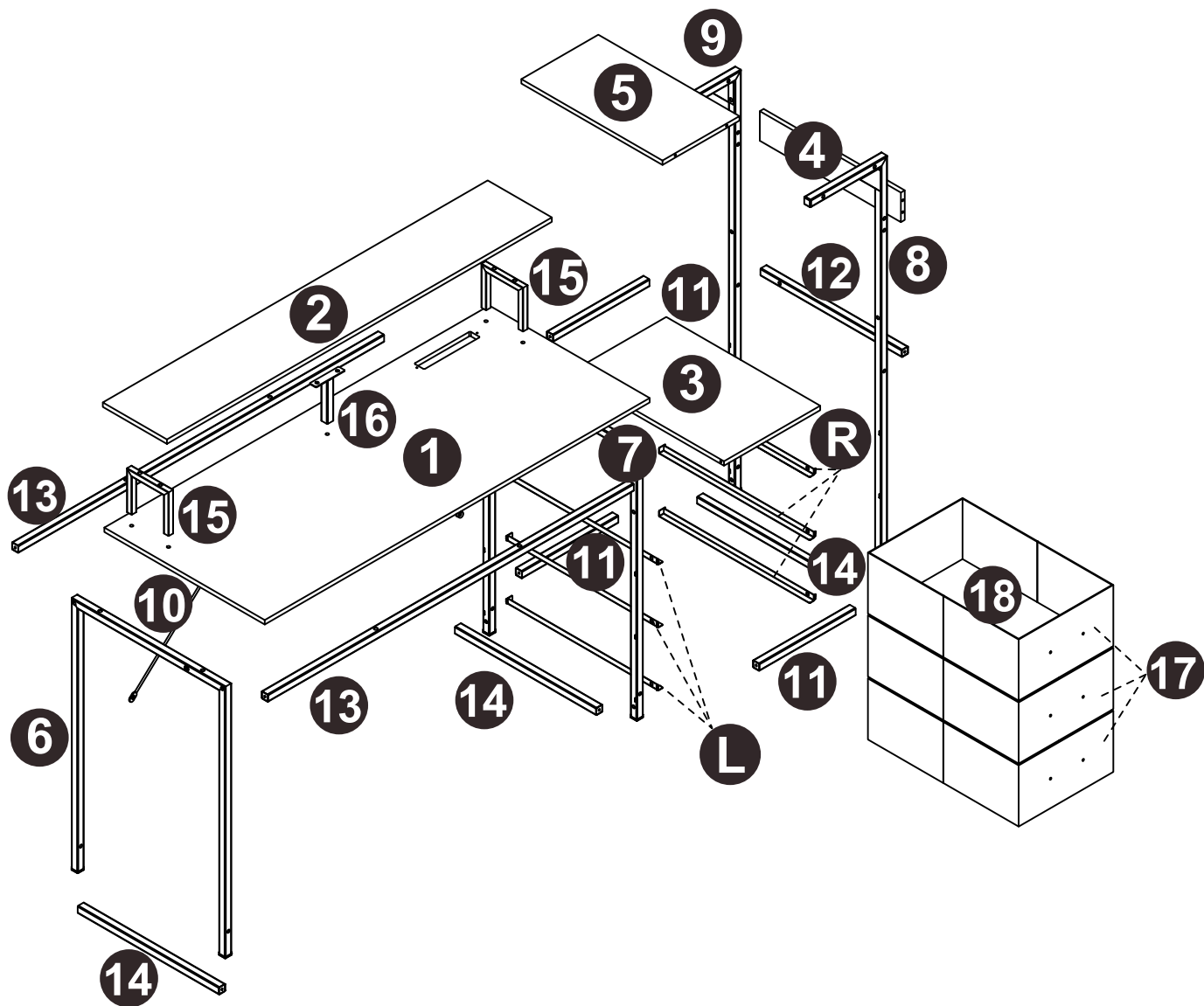


Computer Desk

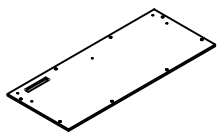
Instruction Manual



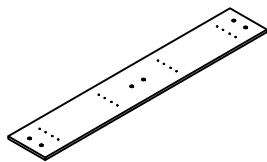


1 Components List

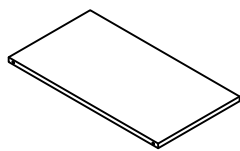
1 X1



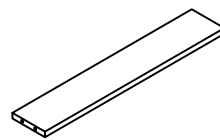
2 X1



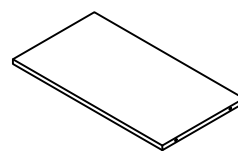
3 X1



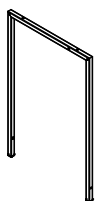
4 X1



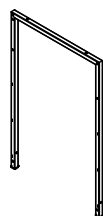
5 X1



6 X1



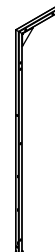
7 X1



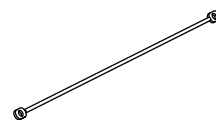
8 X1



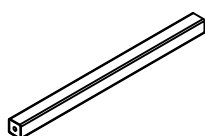
9 X1



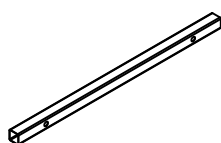
10 X2



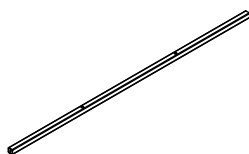
11 X3



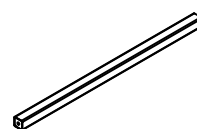
12 X1



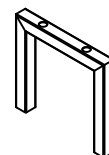
13 X2



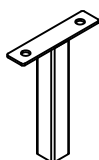
14 X3



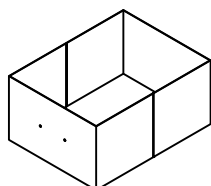
15 X2



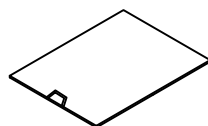
16 X1



17 X3



18 X3



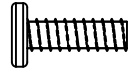
2 Hardware

A X12



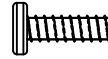
M6×50mm

B X26



M6×28mm

C X9



M6×23mm

D X2



M6×10mm

E X10



M3.5×10mm

F X6



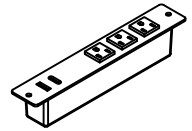
M4×10mm

G X5

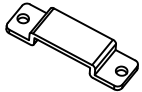


M6×15mm

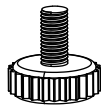
H X1



I X4



J X6

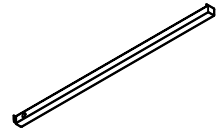


M6

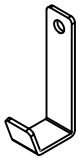
K X1



L X3



M X1



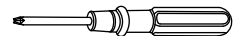
N X3



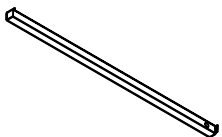
O X1



P X1

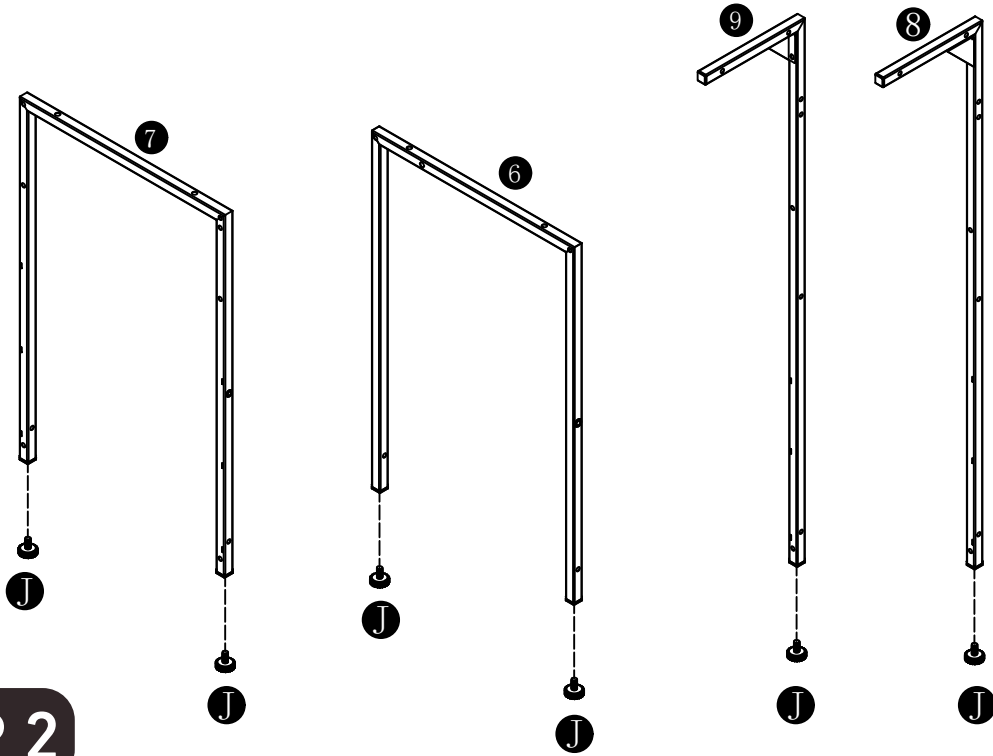
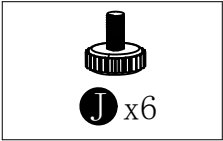


R X3

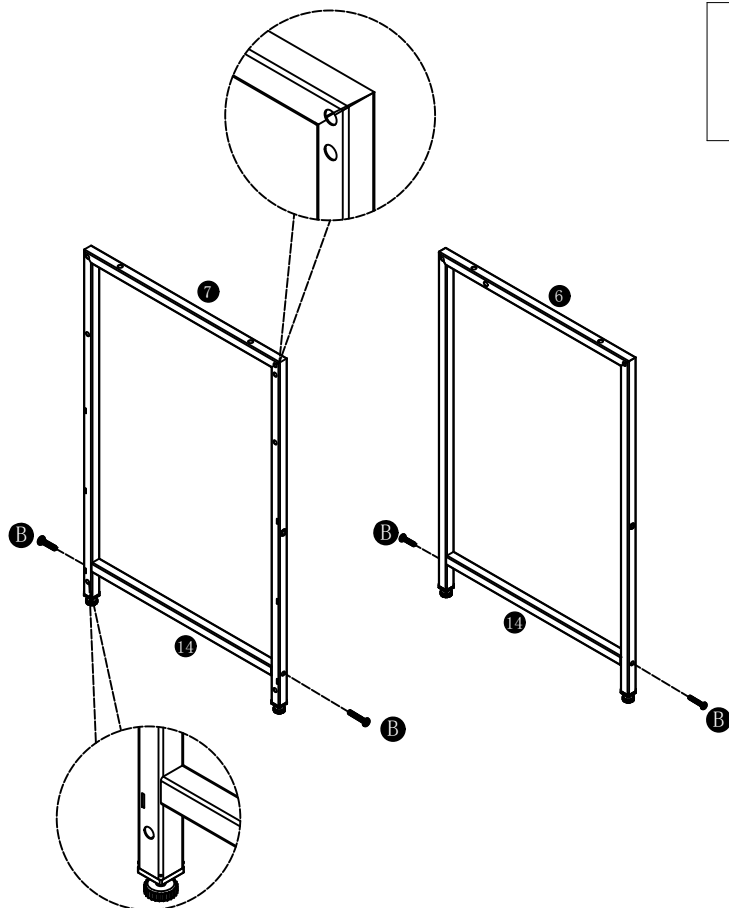
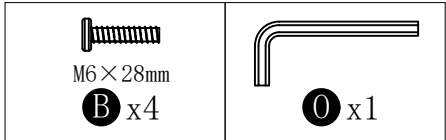


3 Assembly Instruction: Option ①

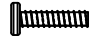

STEP 1

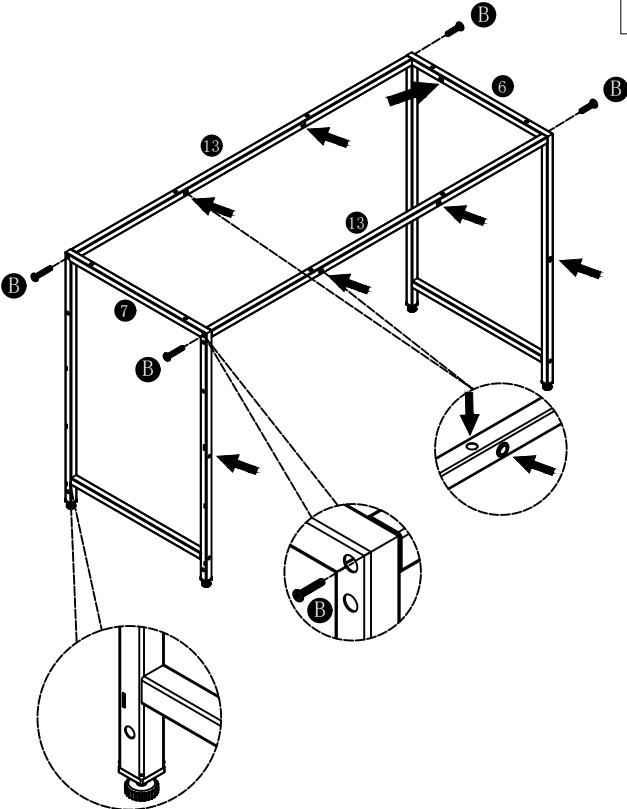


STEP 2





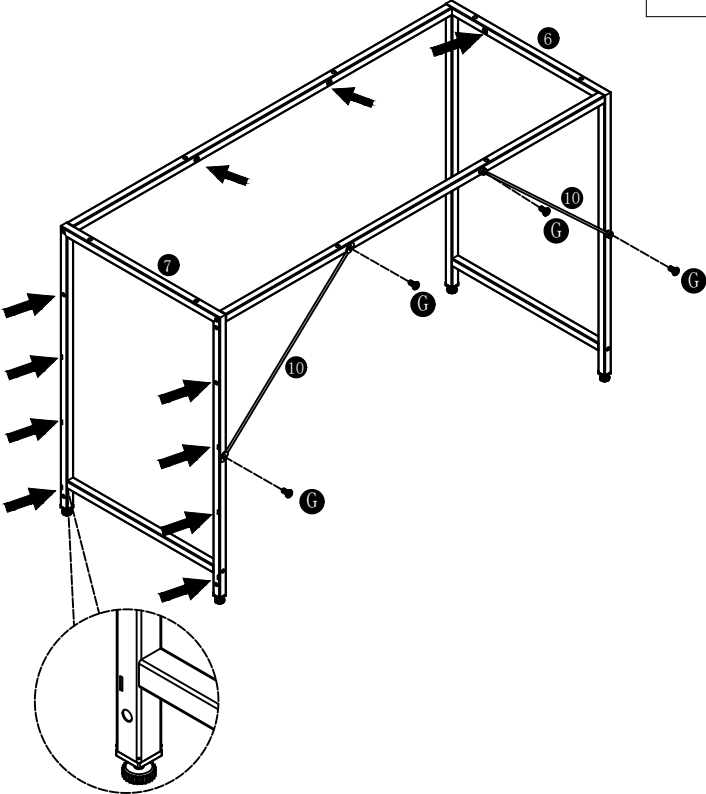
STEP 3

 M6 × 28mm B x4	 O x1
---	--

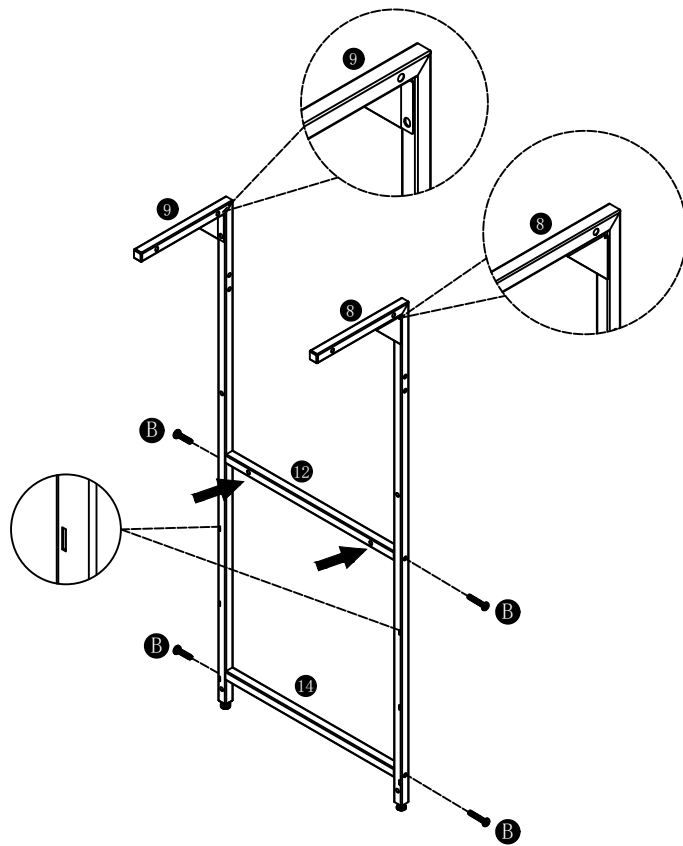


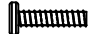

STEP 4

 M6 × 15mm G x4	 O x1
---	--

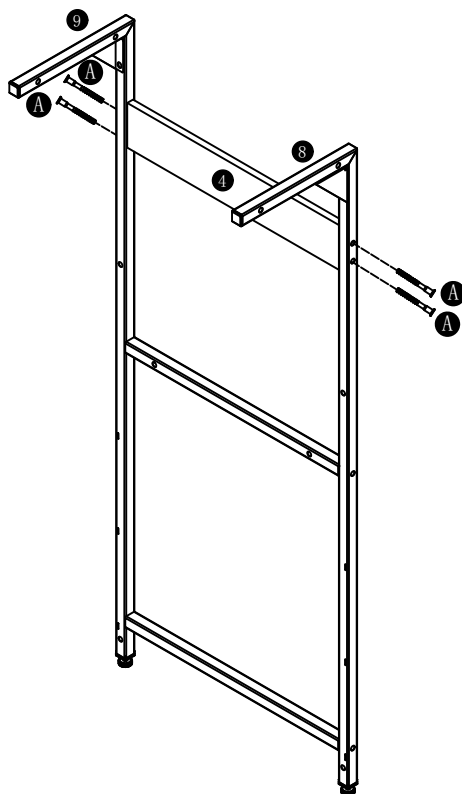


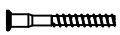

STEP 5



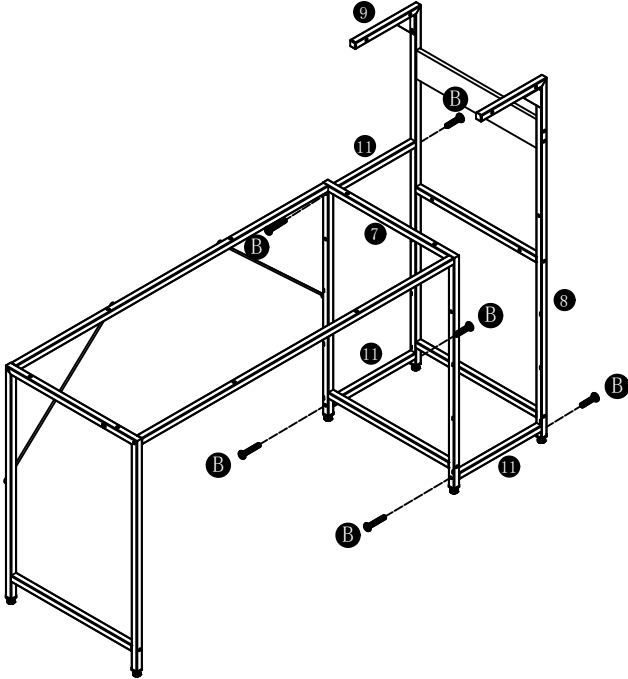
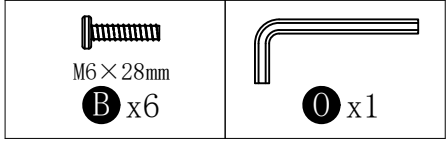
 M6 × 28mm B x4	 O x1
---	--

STEP 6

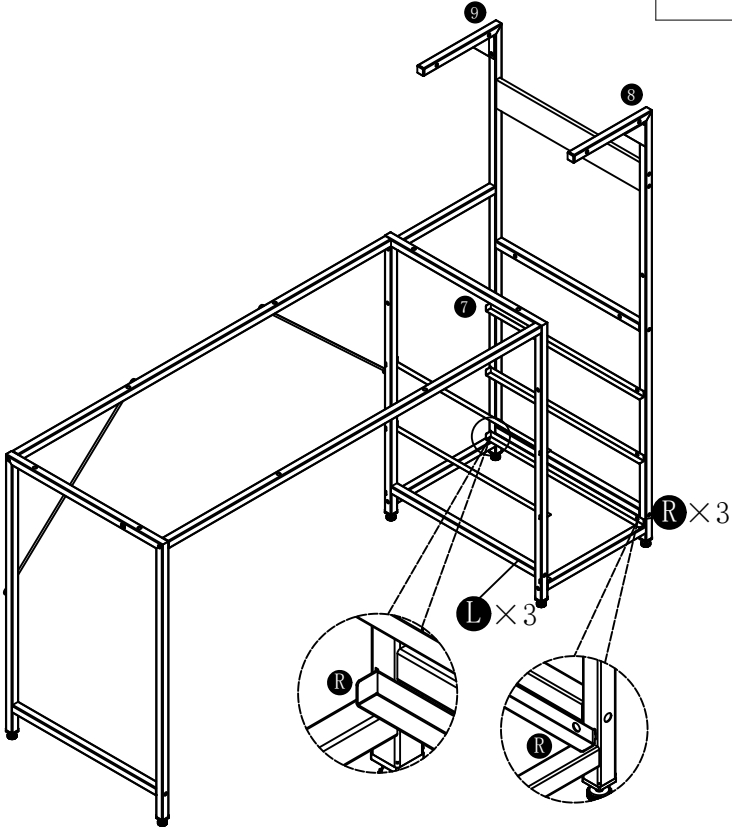
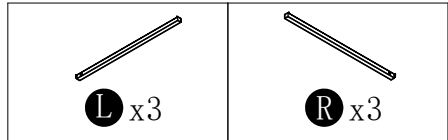
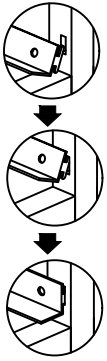


 M6 × 50mm A x4	 O x1
---	--

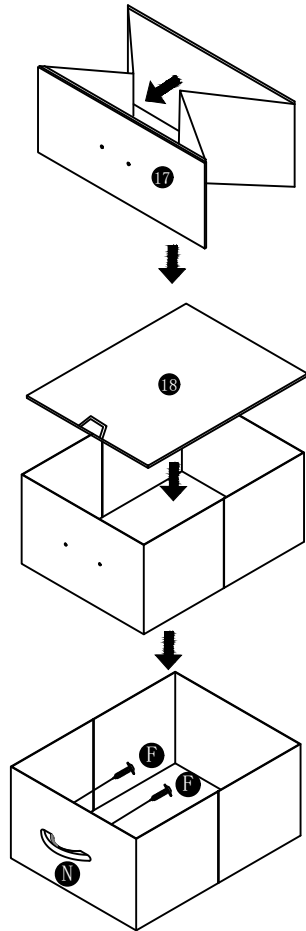
STEP 7

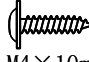

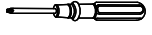


STEP 8



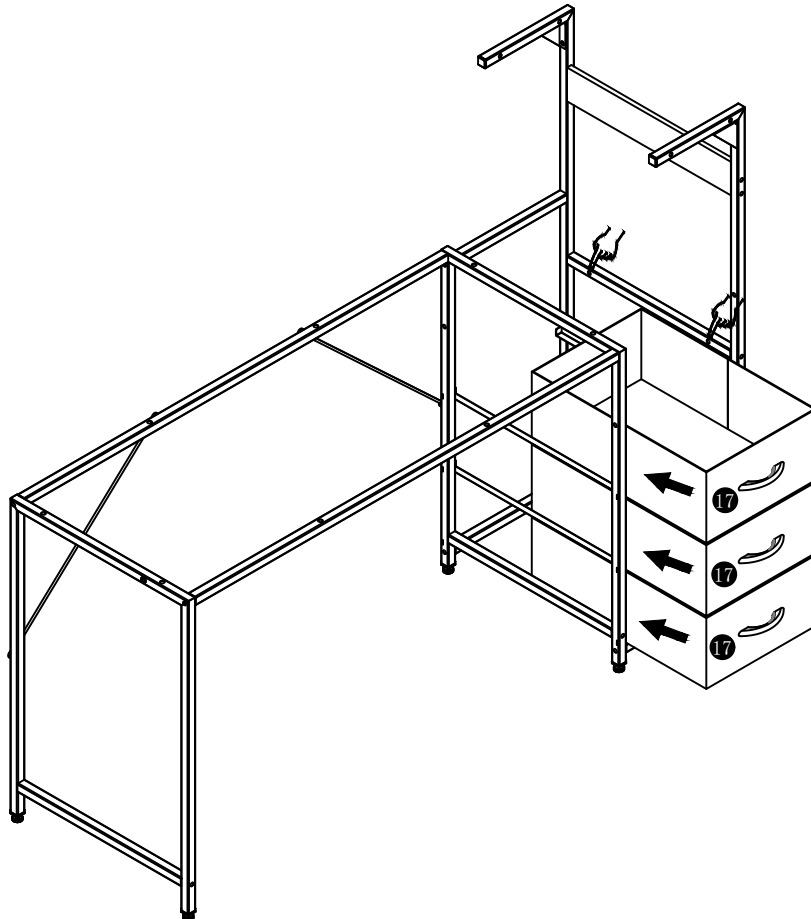
STEP 9



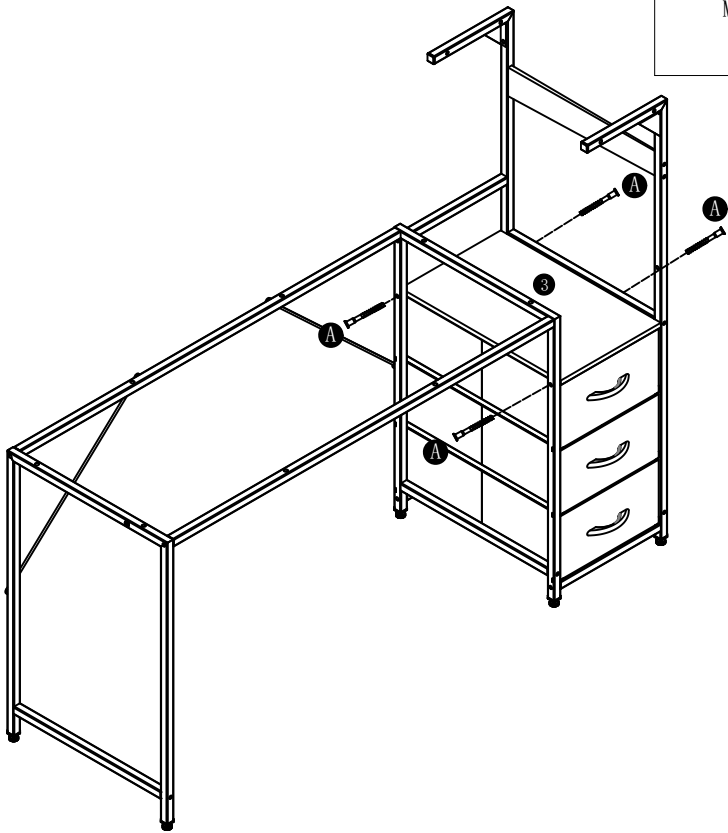
 M4×10mm F x6	 N x3	 P x1
--	--	--

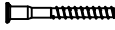

× 3

STEP 10

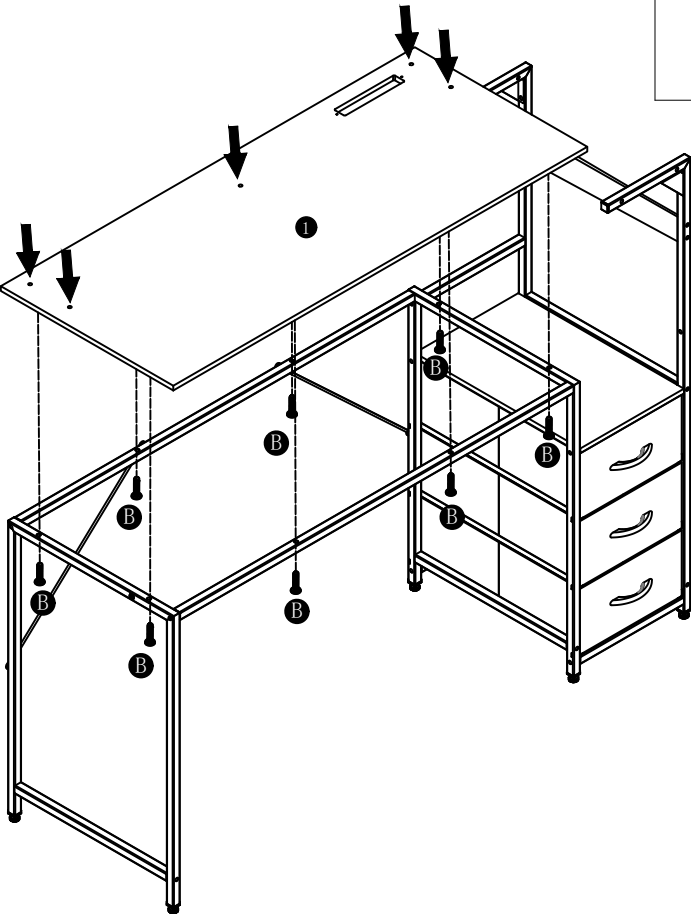


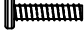

STEP 11






 M6 × 50mm A x4	 O x1
---	--

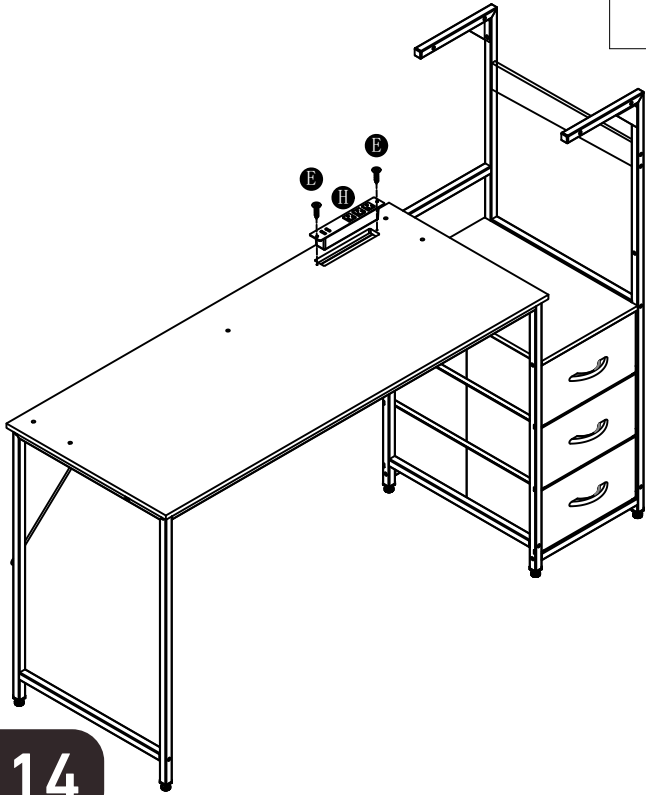
STEP 12



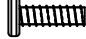
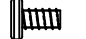

 M6 × 28mm B x8	 O x1
---	--

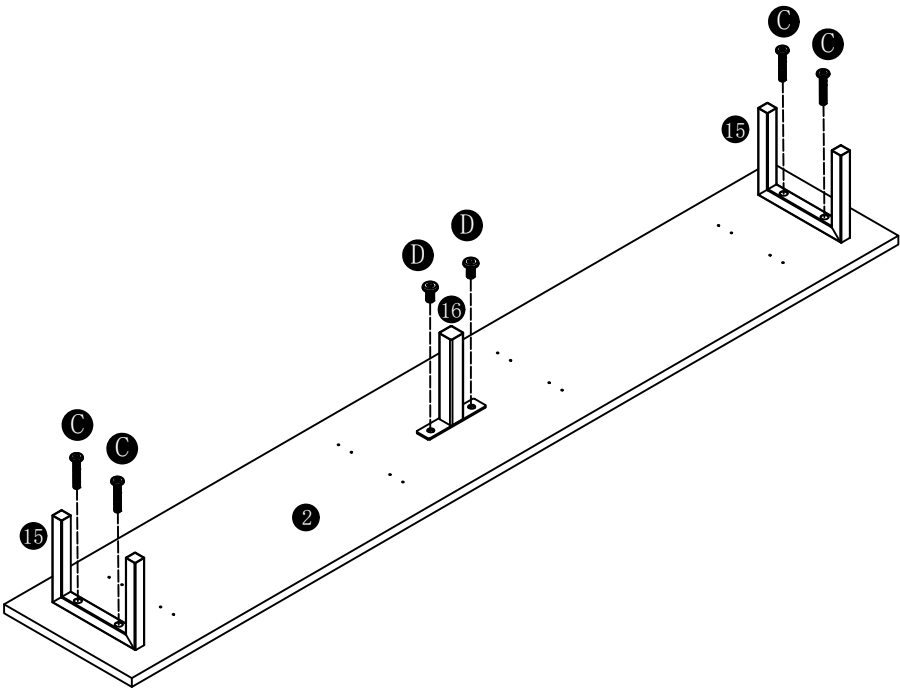
STEP 13

 M3.5 × 10mm E x2	 H x1	 P x1
--	--	--




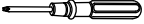


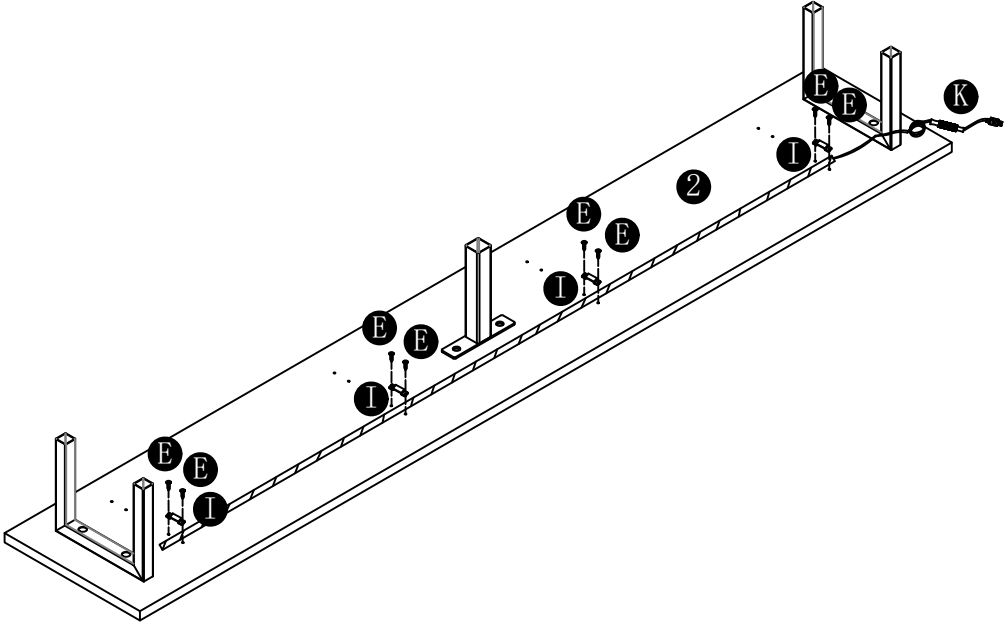
STEP 14

 M6 × 23mm C x4	 M6 × 10mm D x2	 O x1
--	---	--

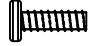



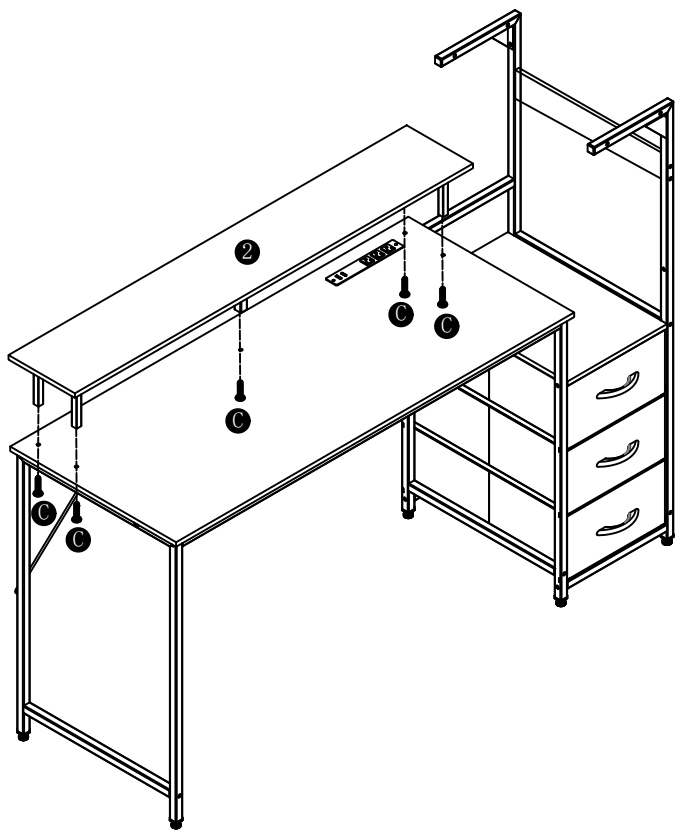
STEP 15

 I x4	 M3.5 × 10mm E x8	 K x1	 P x1
--	--	--	--

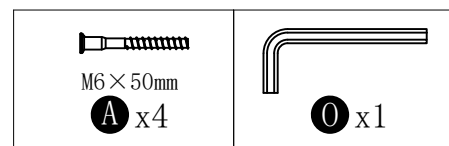
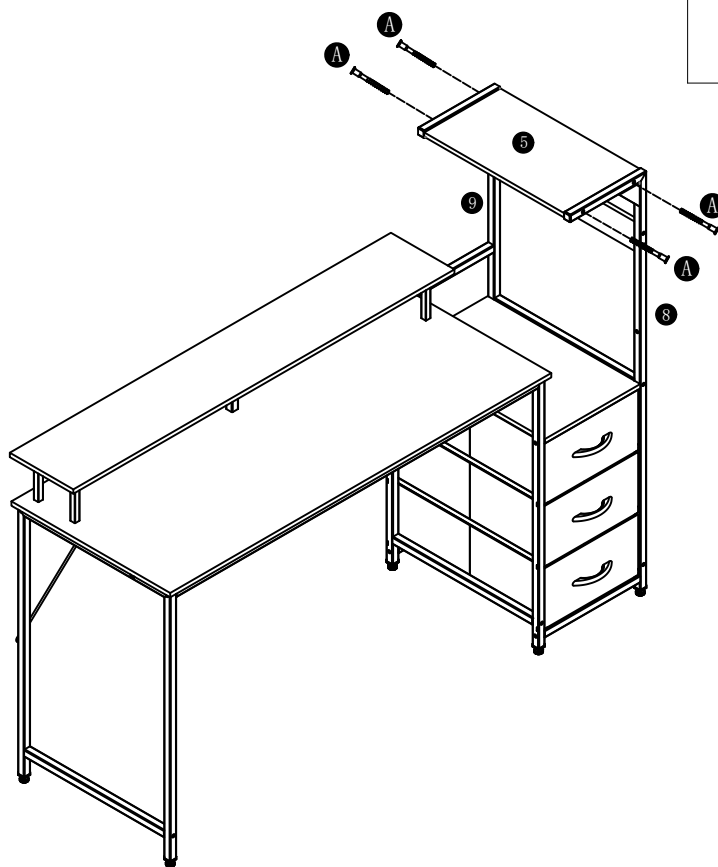


STEP 16

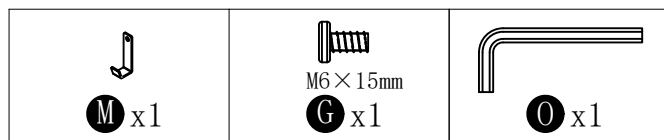
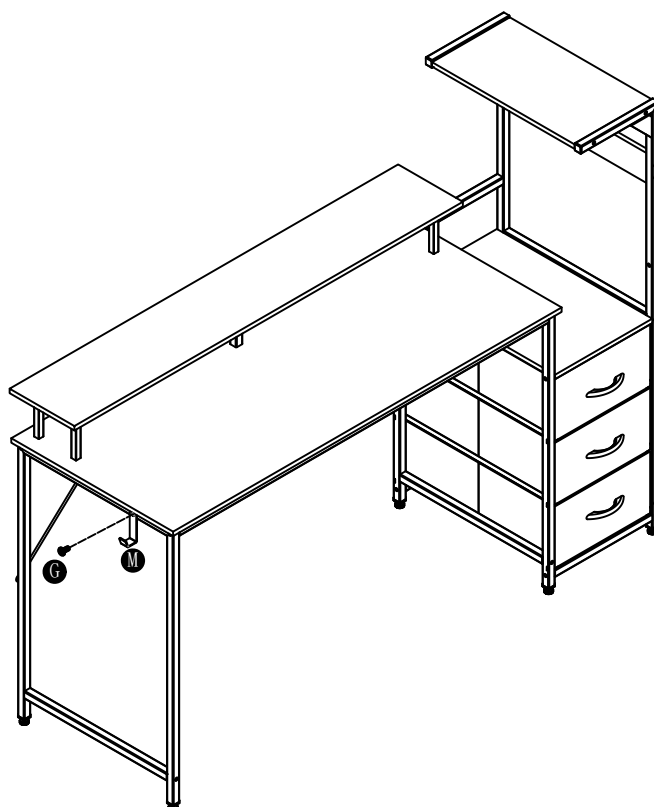
 M6 × 23mm C x5	 O x1
---	--



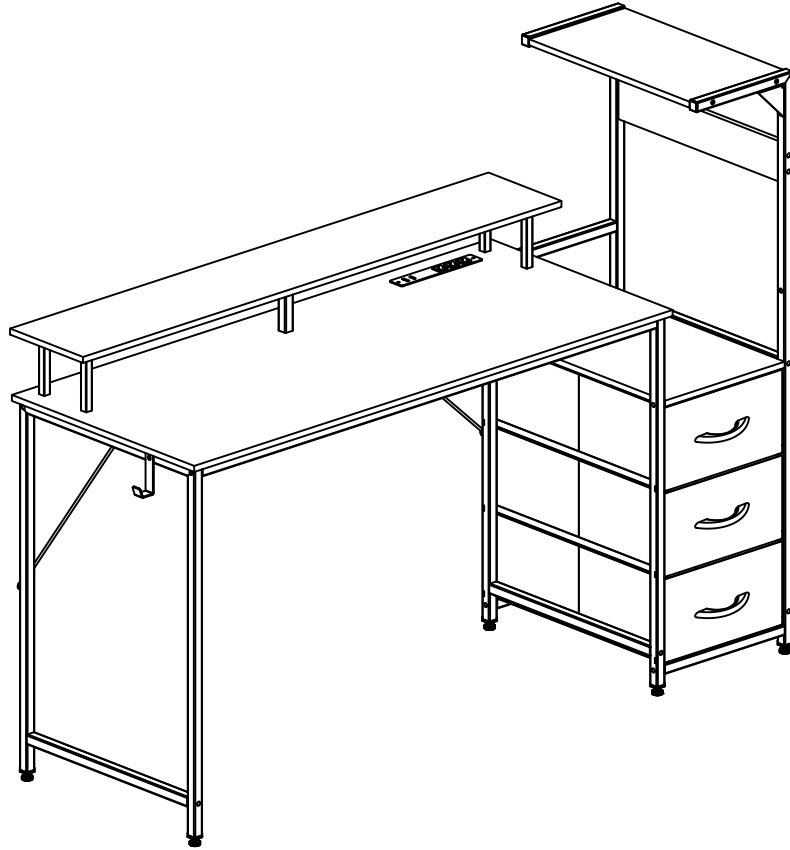
STEP 17



STEP 18

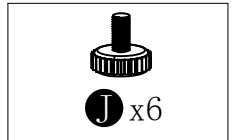
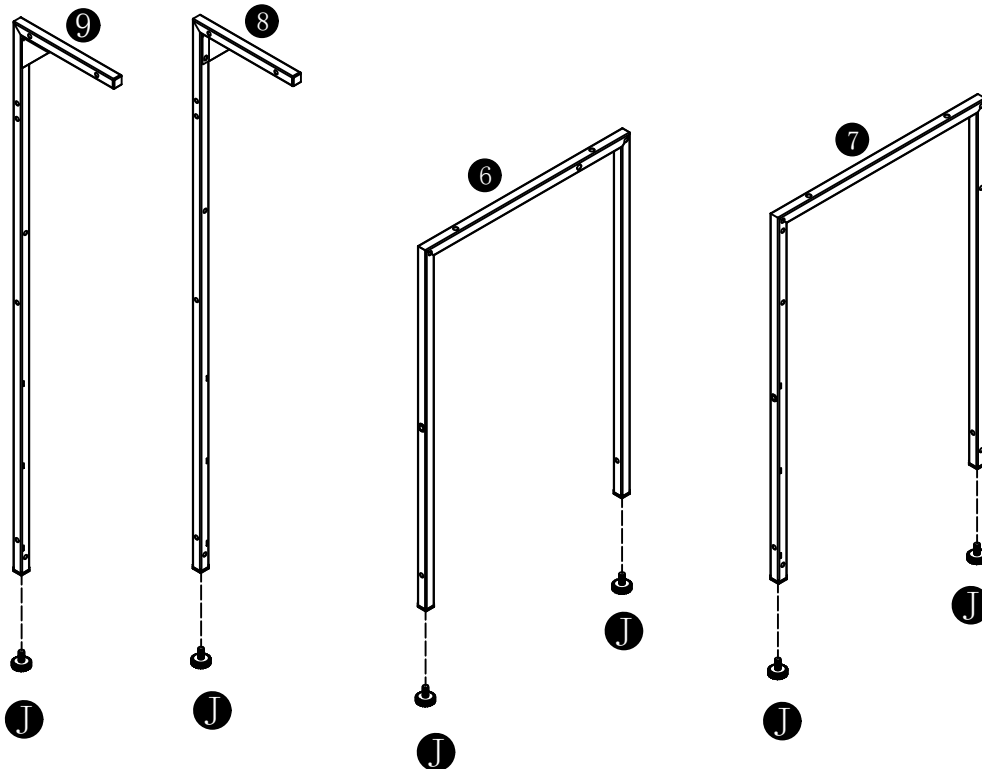


STEP 19

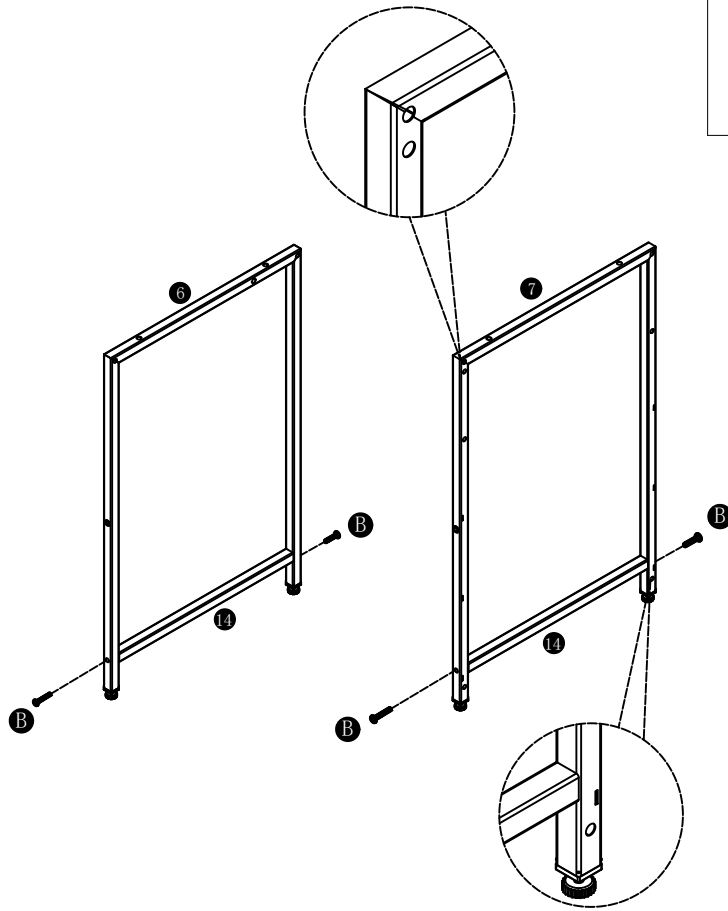




Option ②

STEP 1

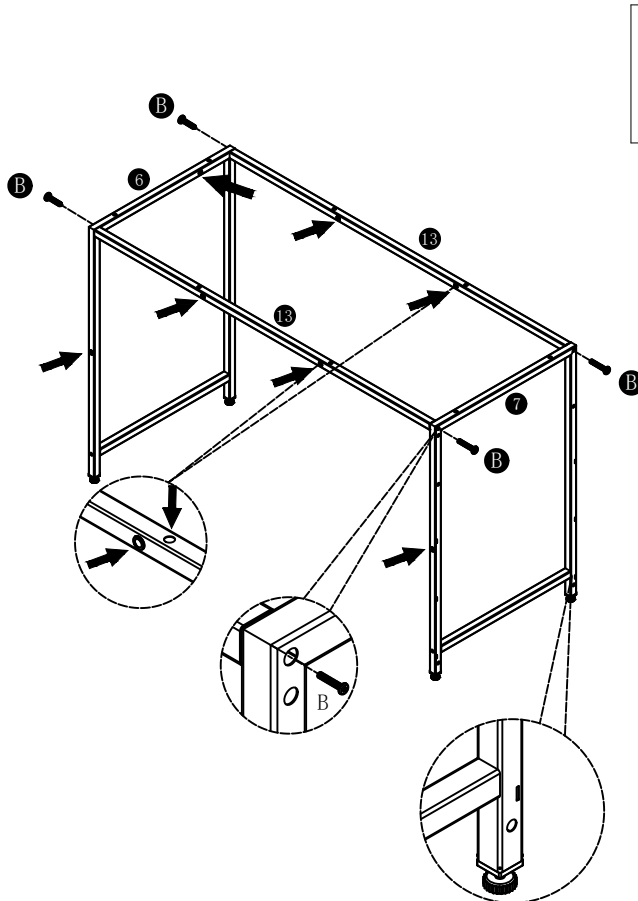


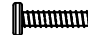

STEP 2



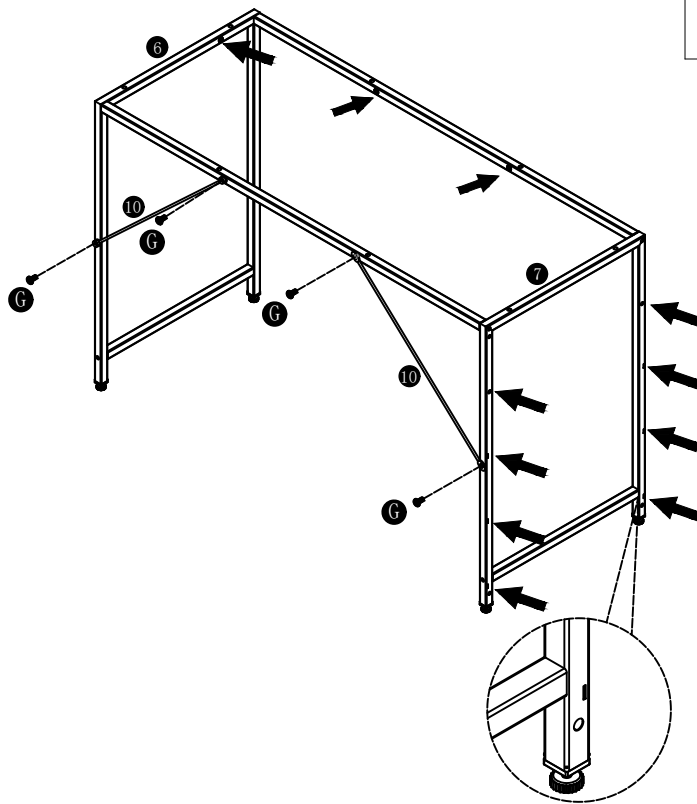
 M6 × 28mm B x4	 O x1
---	--



STEP 3



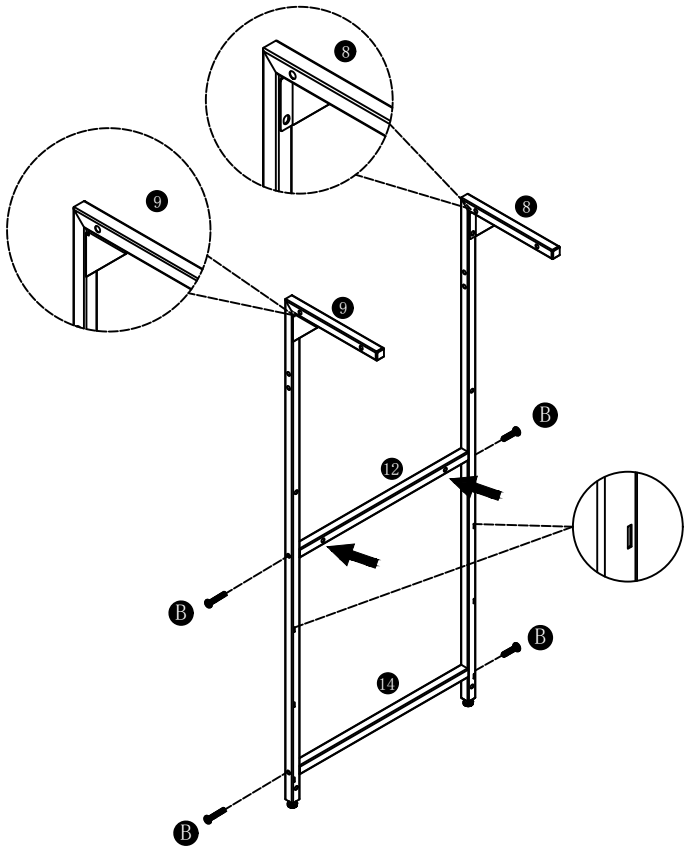
 M6 × 28mm B x4	 O x1
---	--



STEP 4



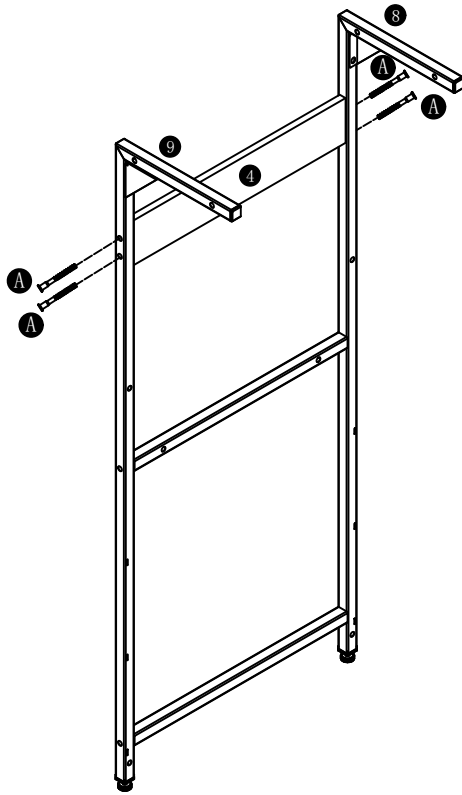
 M6 × 15mm G x4	 O x1
---	--

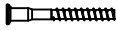

STEP 5



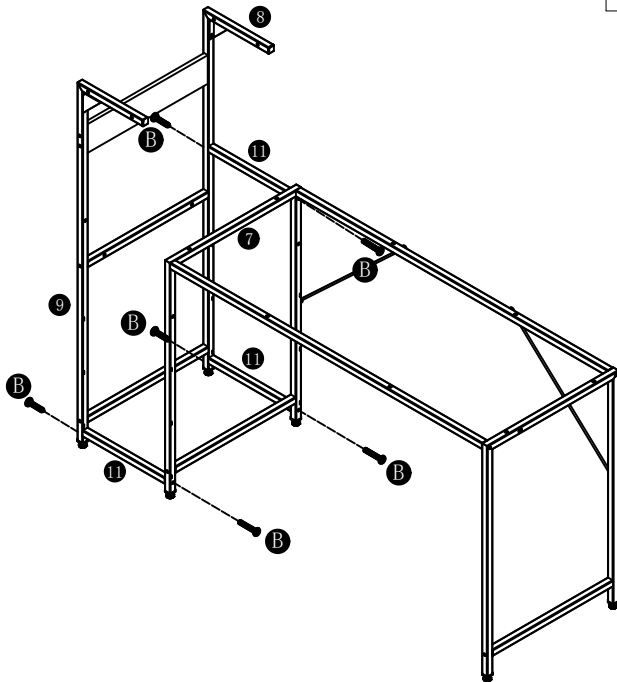
 M6 × 28mm B x4	 O x1
---	--

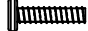

STEP 6



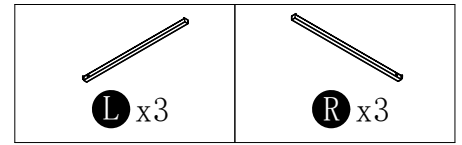
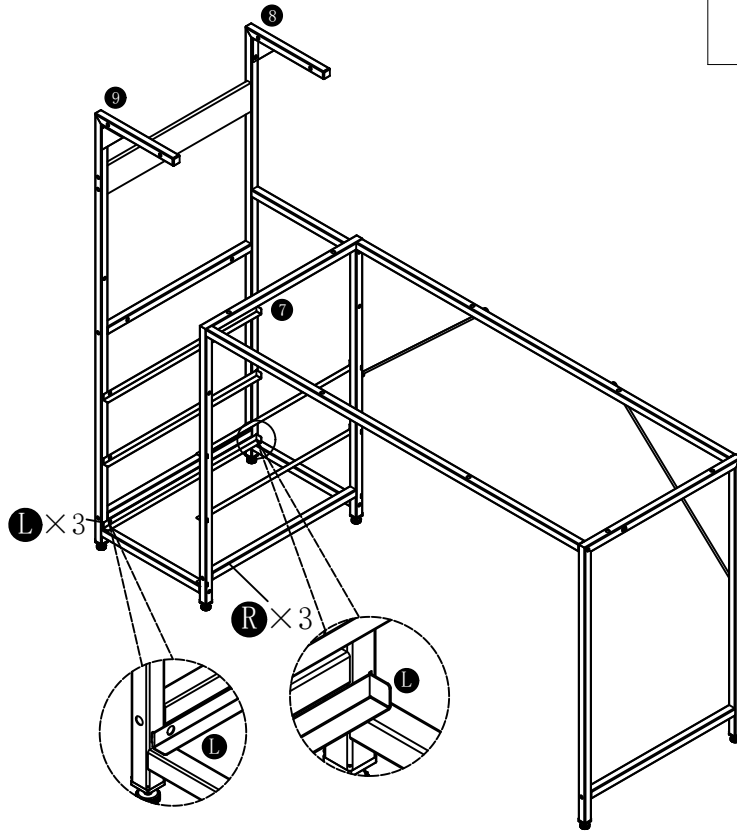
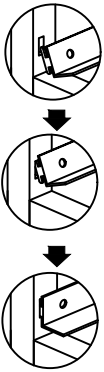
 M6 × 50mm A x4	 O x1
--	---

STEP 7

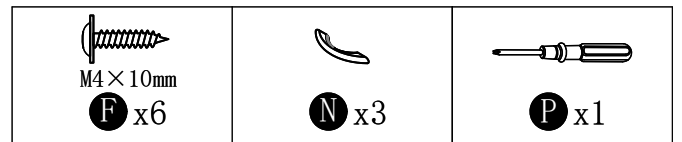
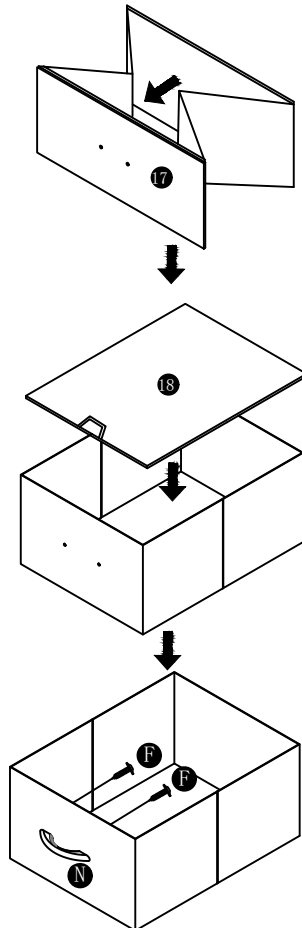


 M6 × 28mm B x6	 O x1
--	---

STEP 8

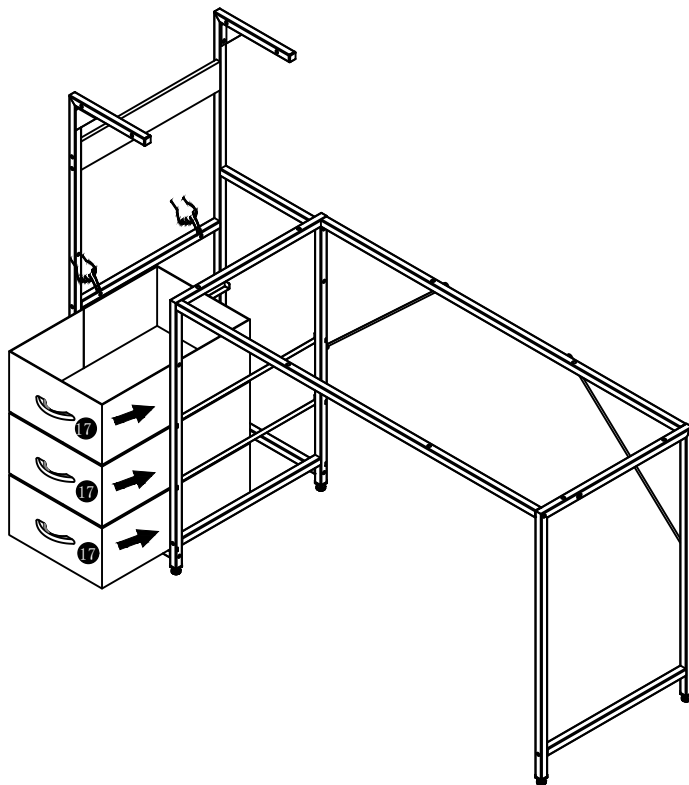


STEP 9

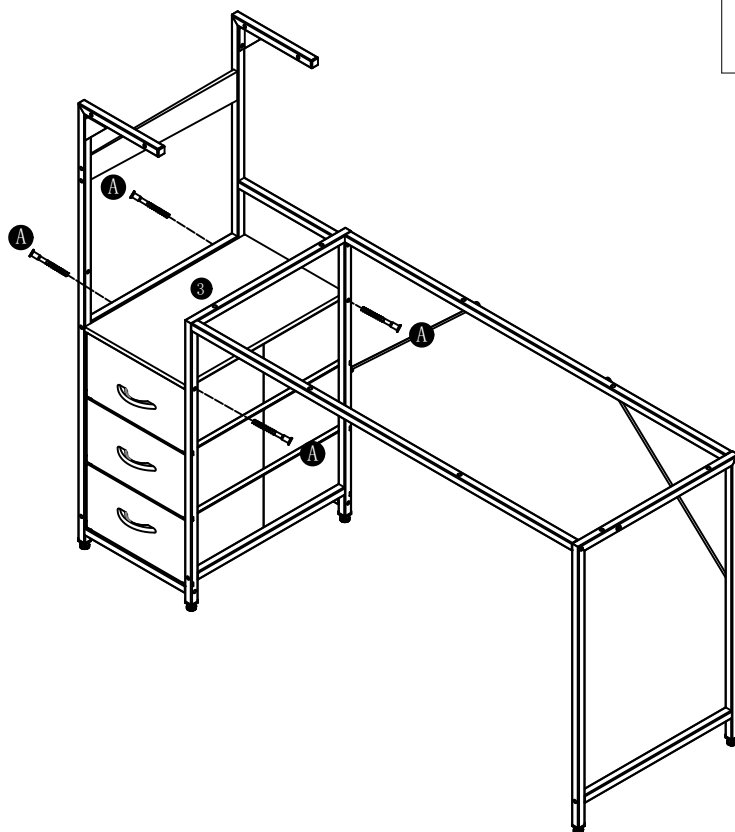


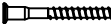

× 3

STEP 10

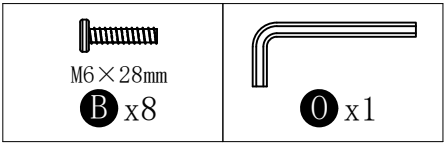
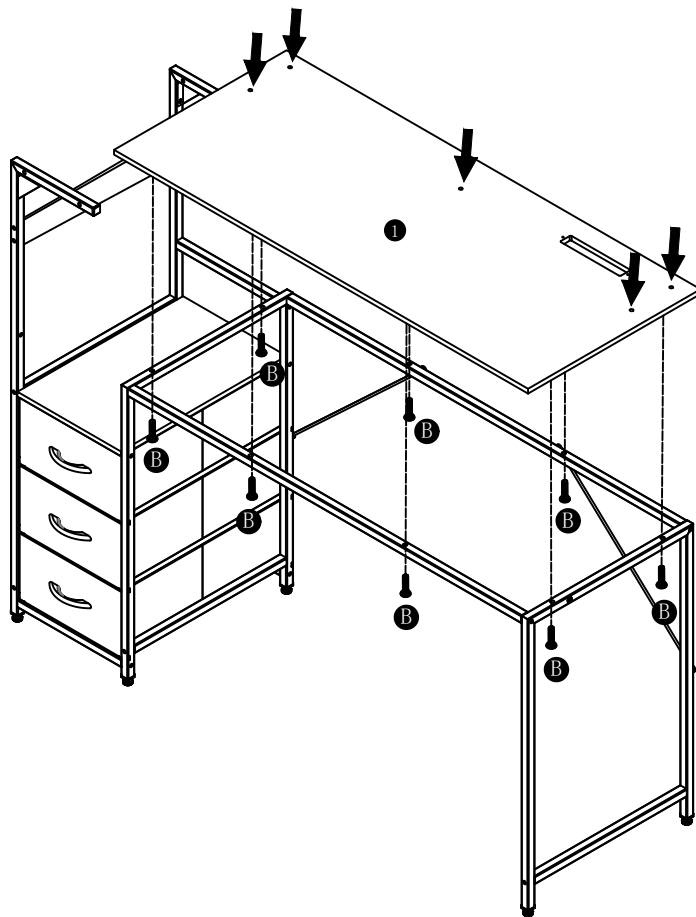


STEP 11

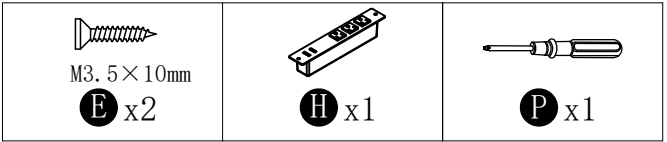
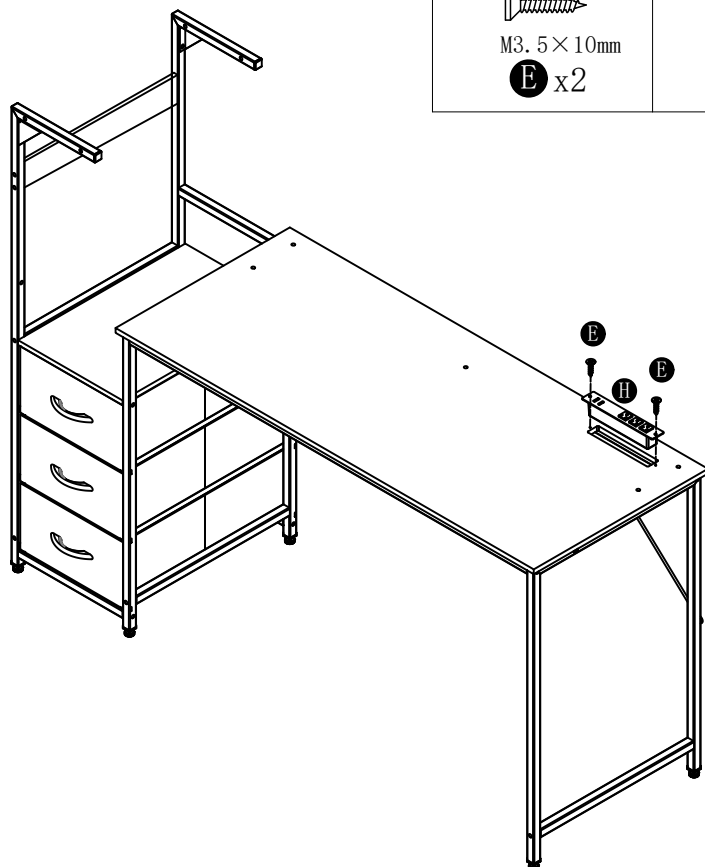


 M6 × 50mm A x4	 O x1
--	---

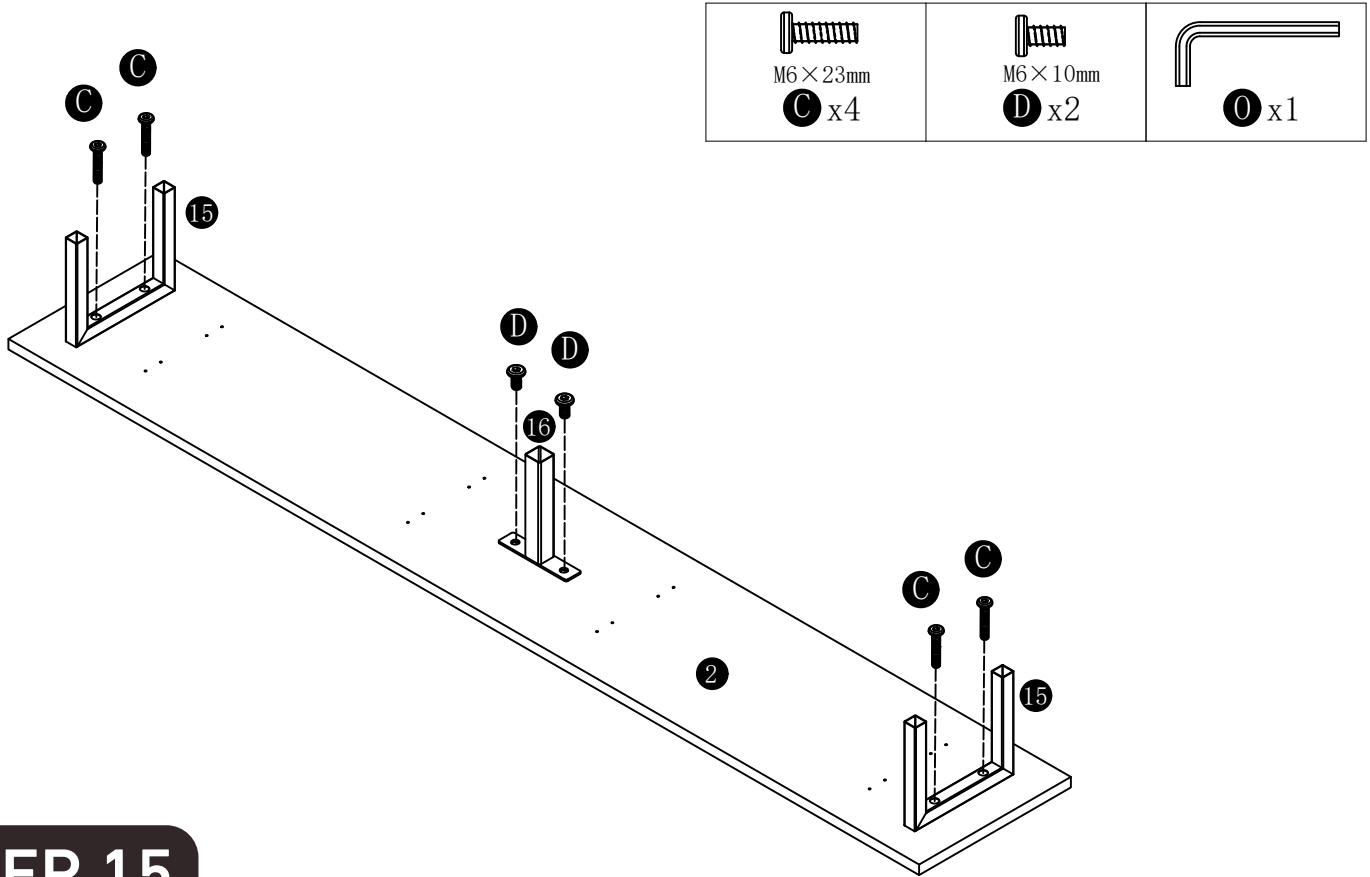
STEP 12



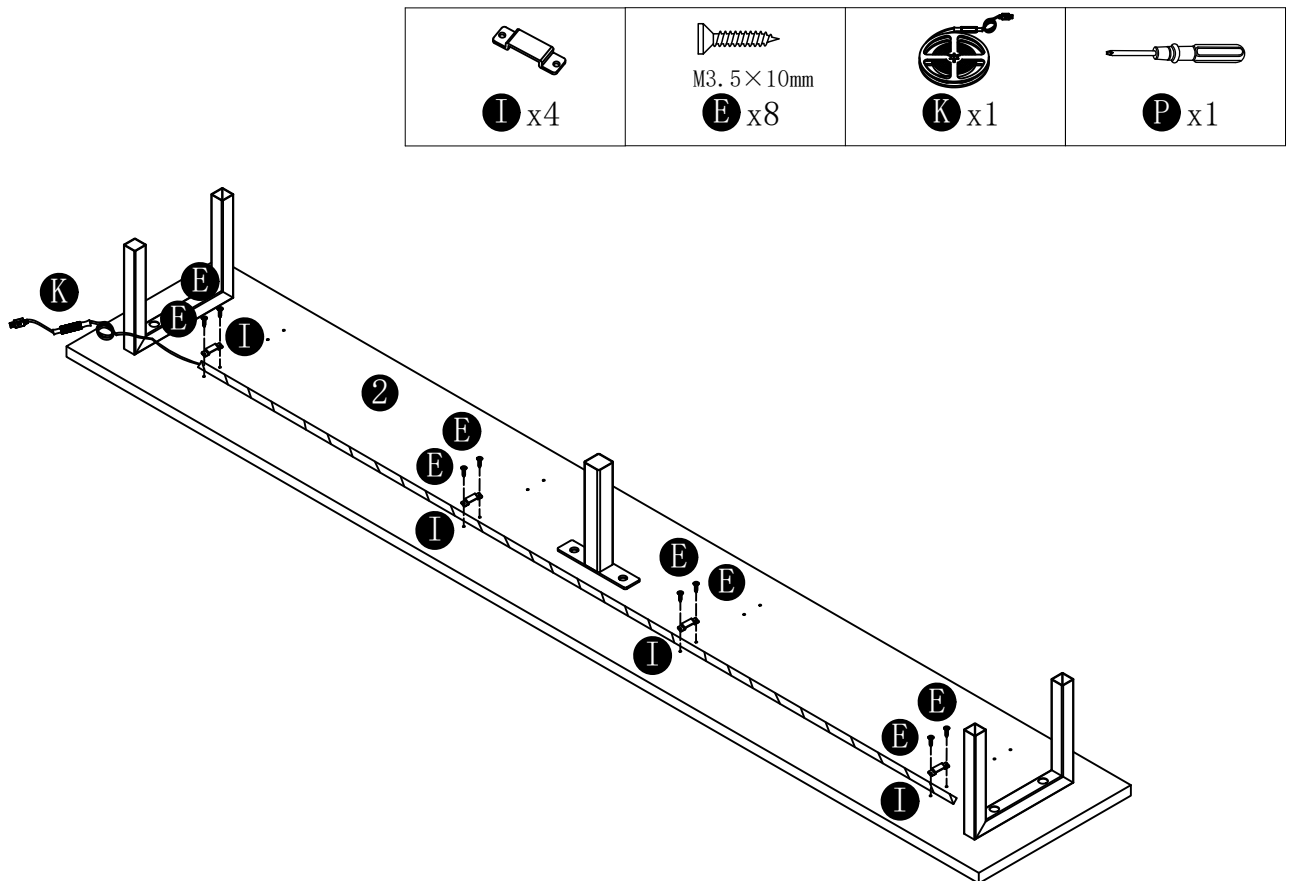
STEP 13



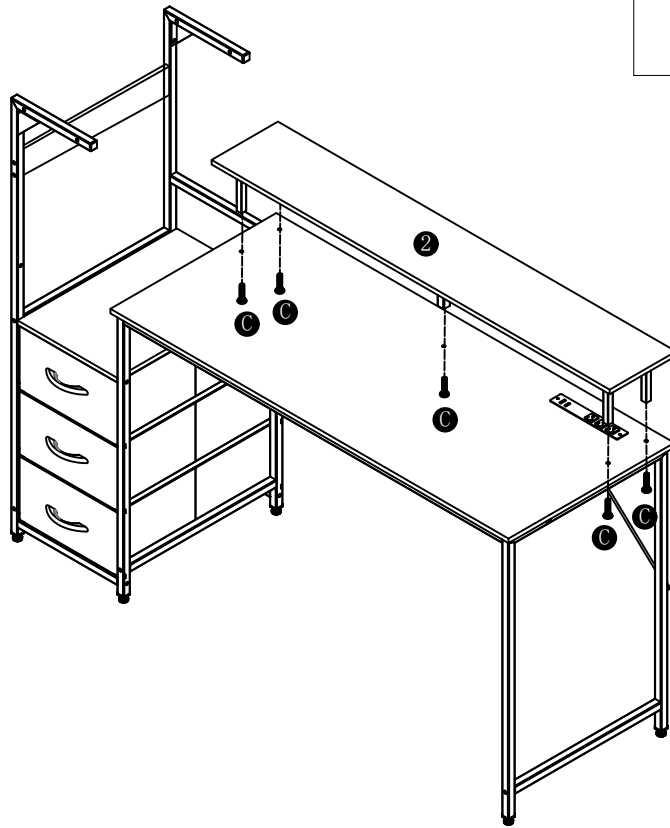
STEP 14

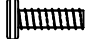



STEP 15

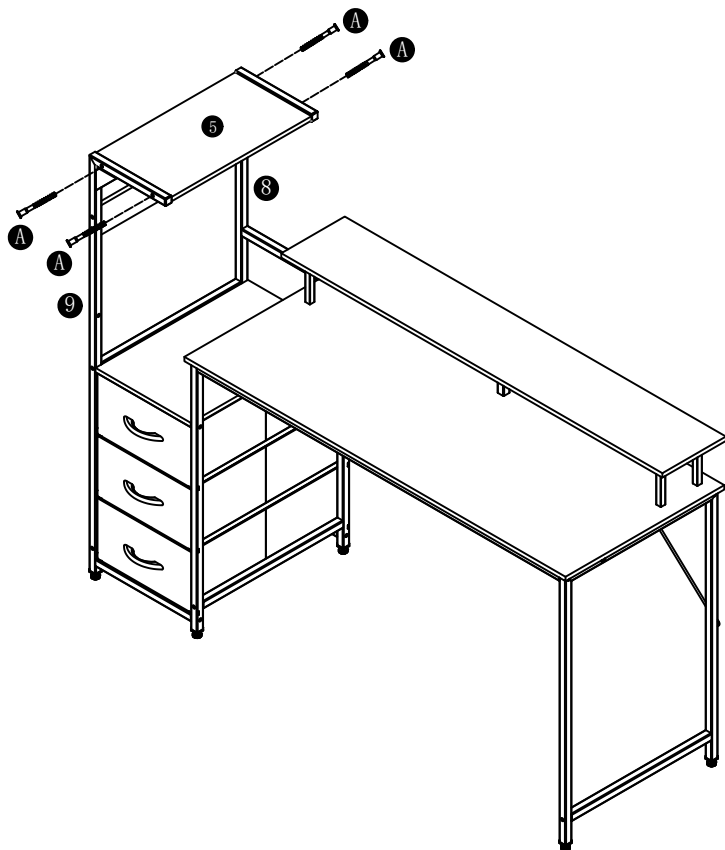


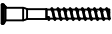

STEP 16



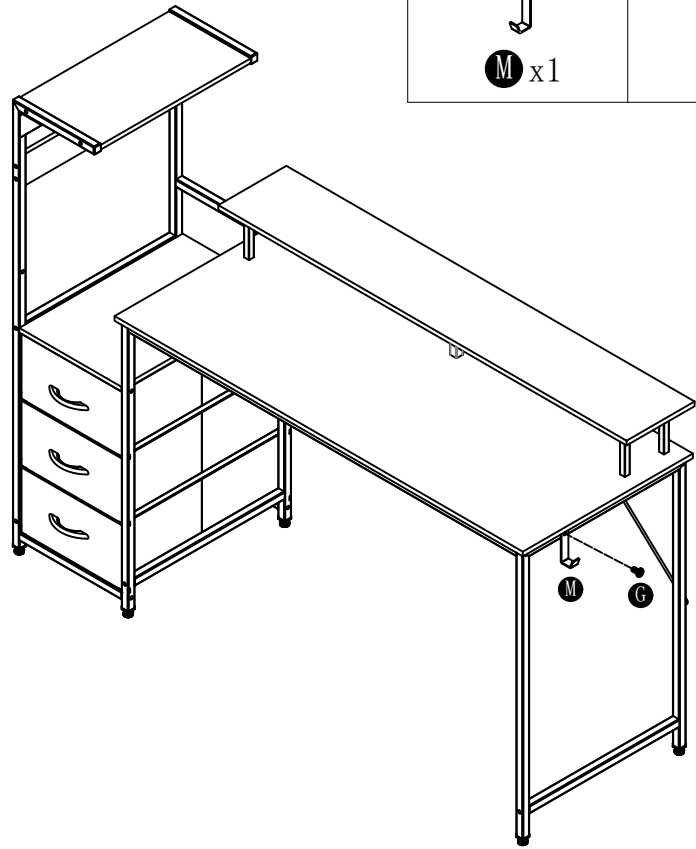
 M6 × 23mm C x5	 O x1
--	---

STEP 17



 M6 × 50mm A x4	 O x1
--	---

STEP 18



STEP 19

