

# Hall Tree with Storage

## ASSEMBLY INSTRUCTIONS

### Before You Begin: Phillips screwdriver required (Not Included)

Please identify all component parts and hardware pieces required before you begin. Carefully remove all of the components from the packaging and set aside for assembly. Assemble on a soft surface to prevent scratching during assembly.

### Caution:

Tighten all components securely before use. Failure to do so may result in personal injury. DO NOT use any sharp objects to open plastic wrapped components as damage to product or components may result.

### Warning:




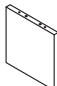
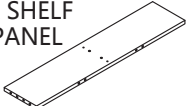
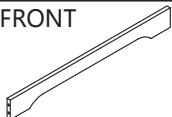


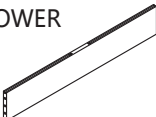
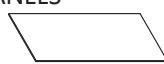
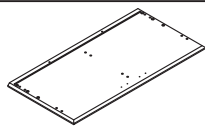
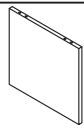
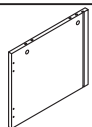
**CHOKING HAZARD** - Small Parts. Adult Assembly Required.

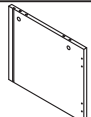
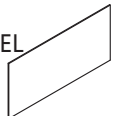
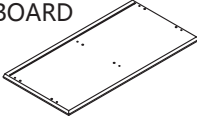
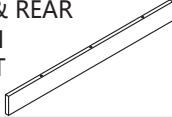
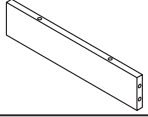
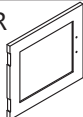

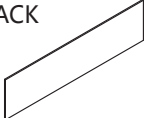
### DO NOT ALLOW CHILDREN TO CLIMB ON FURNITURE

Serious or fatal injuries can occur from furniture tipping over. You must install Tipping Restraint Hardware (where included) to help prevent the unit from tipping and causing accidental injury, instability, death or damage. The tipping restraint is intended only as a safety measure, it is not a substitute for proper adult supervision.



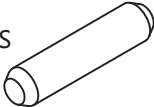



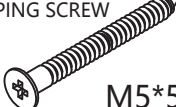




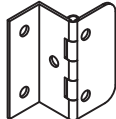
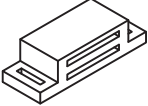
To help prevent furniture from tipping over it must be permanently attached to the wall. Anti-Tip Safety Wall Straps suitable for the unit weight and wall materials (if not included) should be purchased and installed.

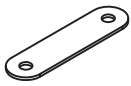

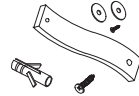

**PARTS**

1.	TOP 	1PC
2.	UPPER LEFT PANEL 	1PC
3.	UPPER RIGHT PANEL 	1PC
4.	UPPER MIDDLE DIVIDER PANEL 	1PC
5.	UPPER SHELF BASE PANEL 	1PC
6.	UPPER FRONT FASCIA 	1PC
7.	UPPER REAR BRACE 	1PC
8.	MIDDLE VERTICAL BRACE 	1PC
9.	REAR LOWER BRACE 	1PC
10.	LEFT & RIGHT BACK PANELS 	2PCS
11.	CABINET SEAT 	1PC
12.	LOWER MIDDLE PANEL 	1PC
13.	LOWER LEFT PANEL 	1PC

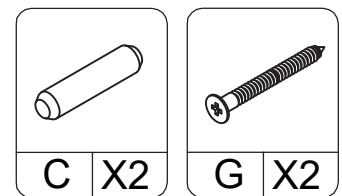
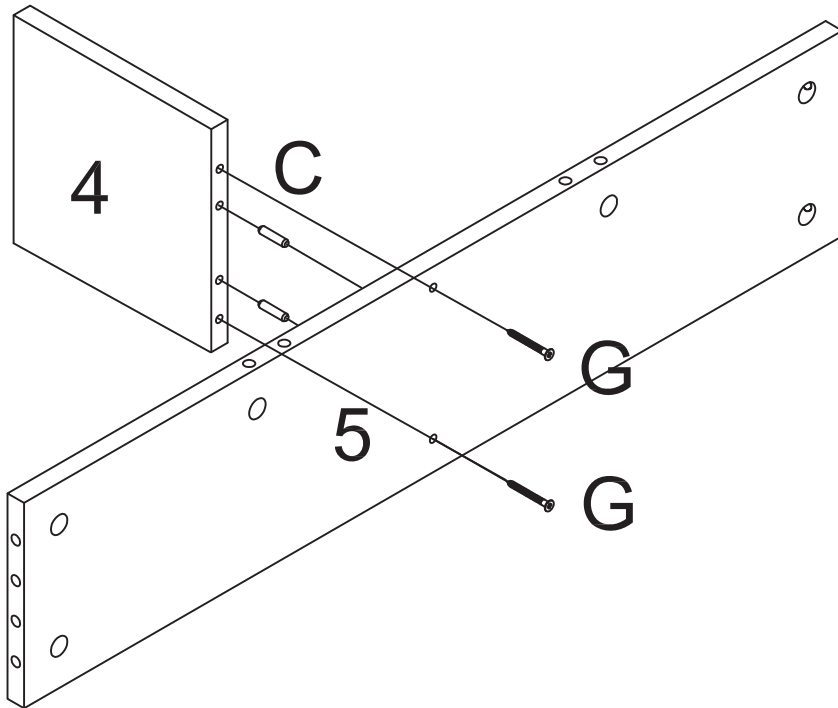
14.	LOWER RIGHT PANEL 	1PC
15.	LOWER BACK PANEL 	1PC
16.	BASEBOARD 	1PC
17.	FRONT & REAR BOTTOM SUPPORT PLATES 	2PCS
18.	BOTTOM SUPPORT PLATES 	4PCS
19.	LEFT DOOR PANEL 	1PC
20.	RIGHT DOOR PANEL 	1PC
21.	UPPER BACK PANEL 	1PC

**PARTS**

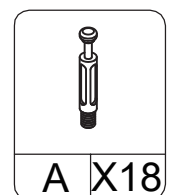
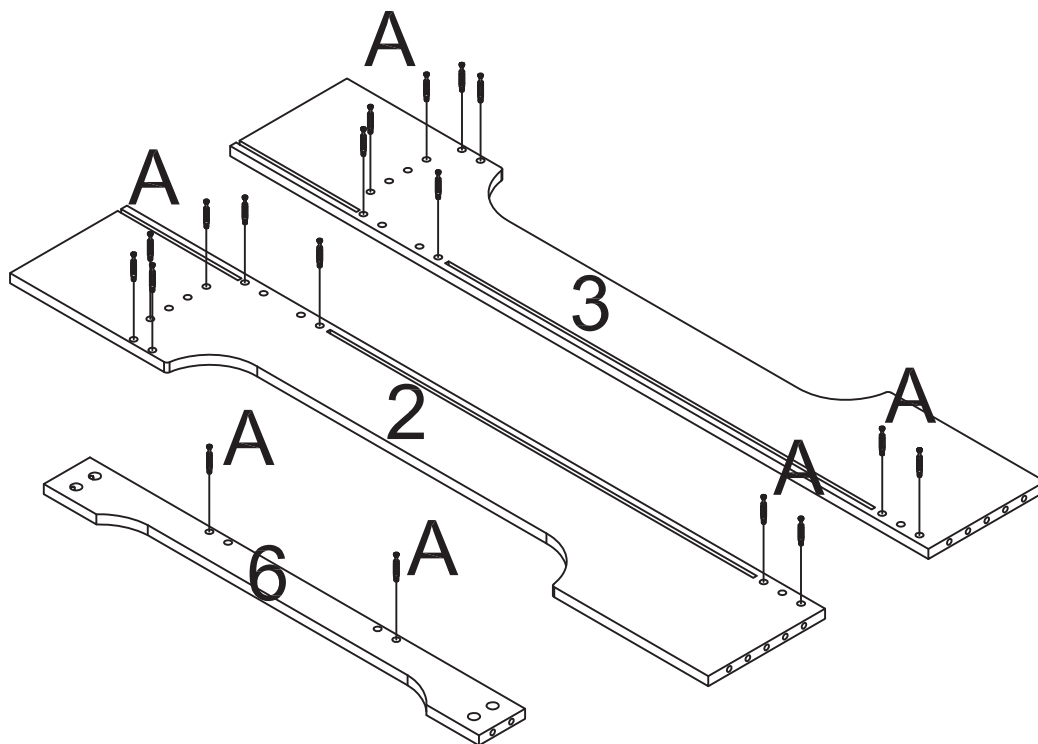
A.	MALE CAMLOCK 	54PCS
B.	FEMALE CAMLOCK 	54PCS
C.	WOOD DOWELS 	42PCS
D.	SELF-TAPPING SCREW  M3*14mm	8PCS
E.	SELF-TAPPING SCREW  M3.5*14mm	28PCS
F.	HEXAGON SOCKET HEAD SCREW  M5.5*50mm	6PCS
G.	SELF-TAPPING SCREW  M5*50mm	16PCS
H.	DOOR HANDLE 	2PCS
I.	HANDLE SCREW  M4*22mm	4PCS
J.	SCREW NUT 	4PCS
K.	HOOK 	4PCS
L.	HINGES 	4PCS
M.	DOOR LATCH 	2PCS

N.	STRIKE PLATE 	2PCS
O.	PLASTIC WEDGES  M3.5*14mm	10PCS
	ANTI-TIP DEVICE 	2PCS
	ALLEN WRENCH  M4	1PC

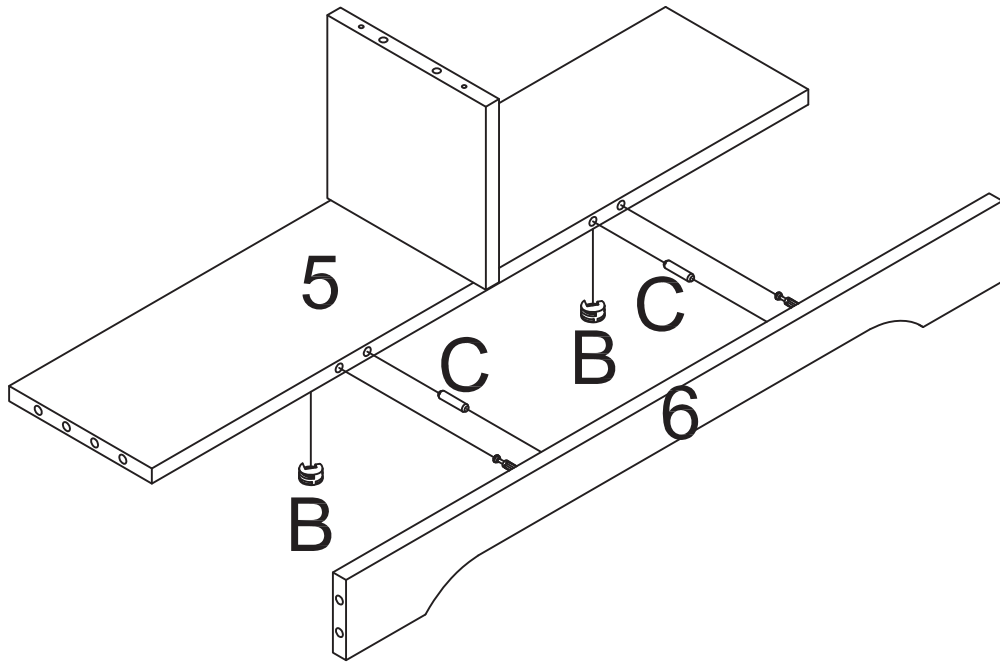
**STEP 1**



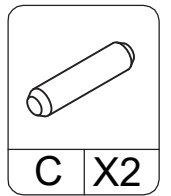
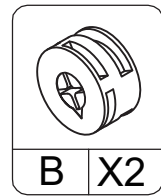
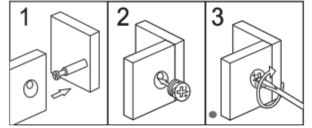
**STEP 2**



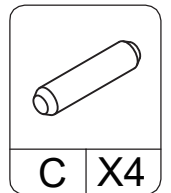
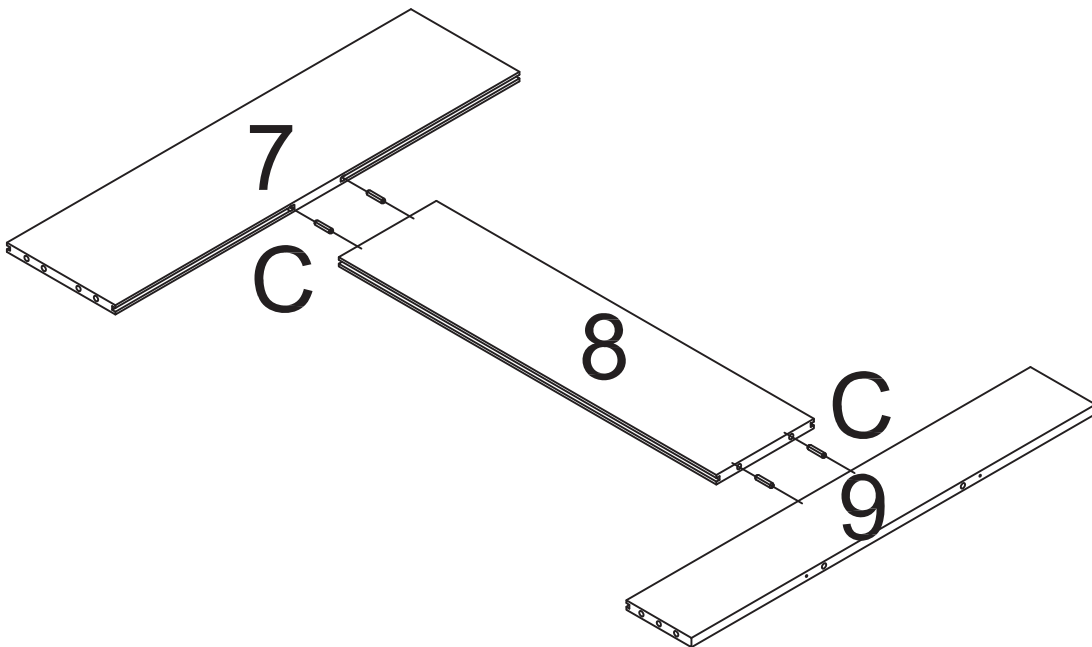
**STEP 3**



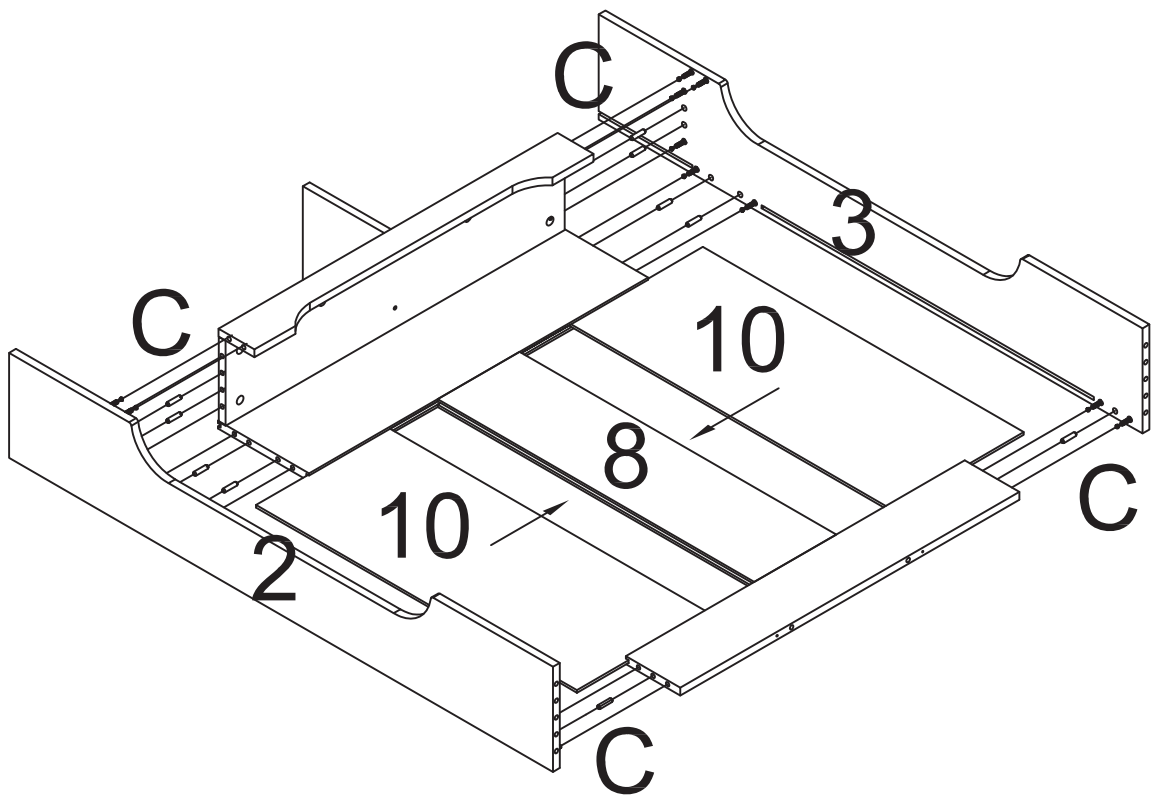
**Cam Lock Fastening System**



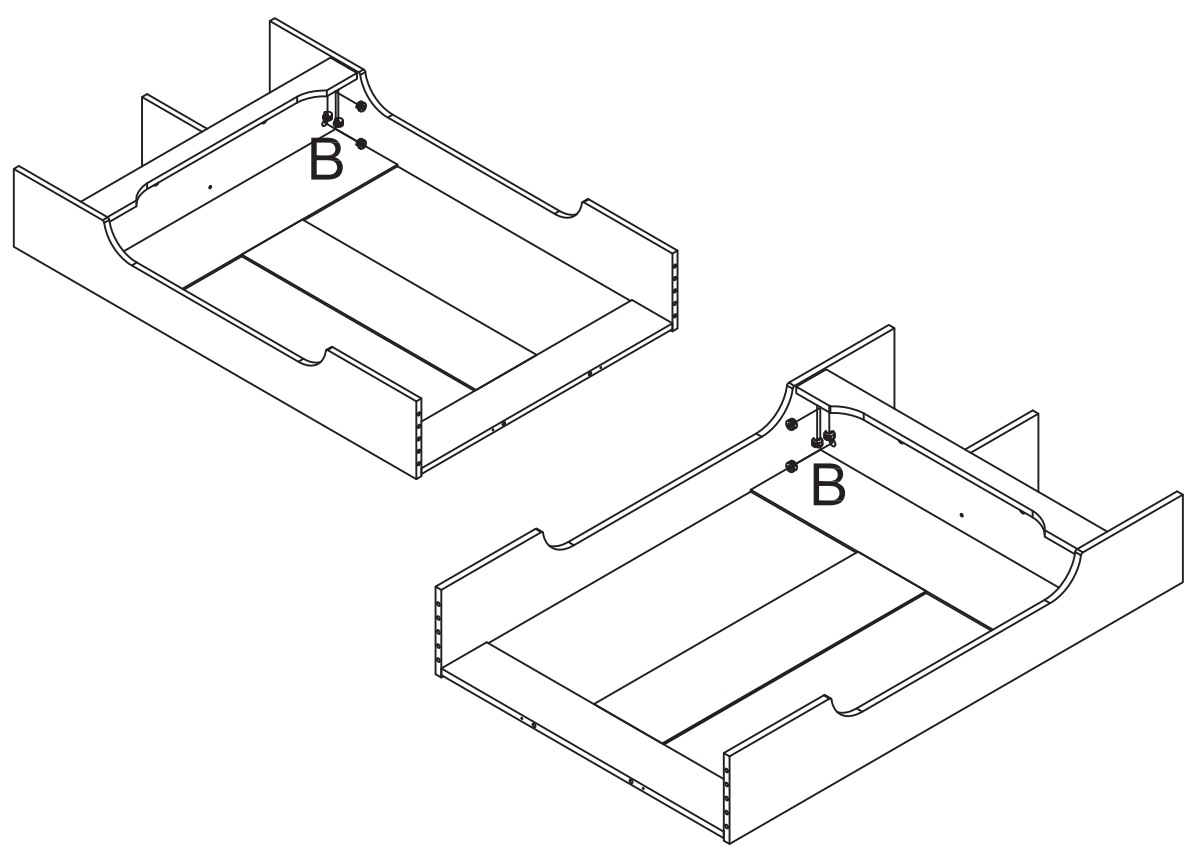
**STEP 4**



STEP 5

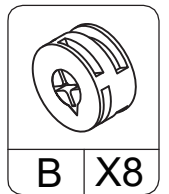
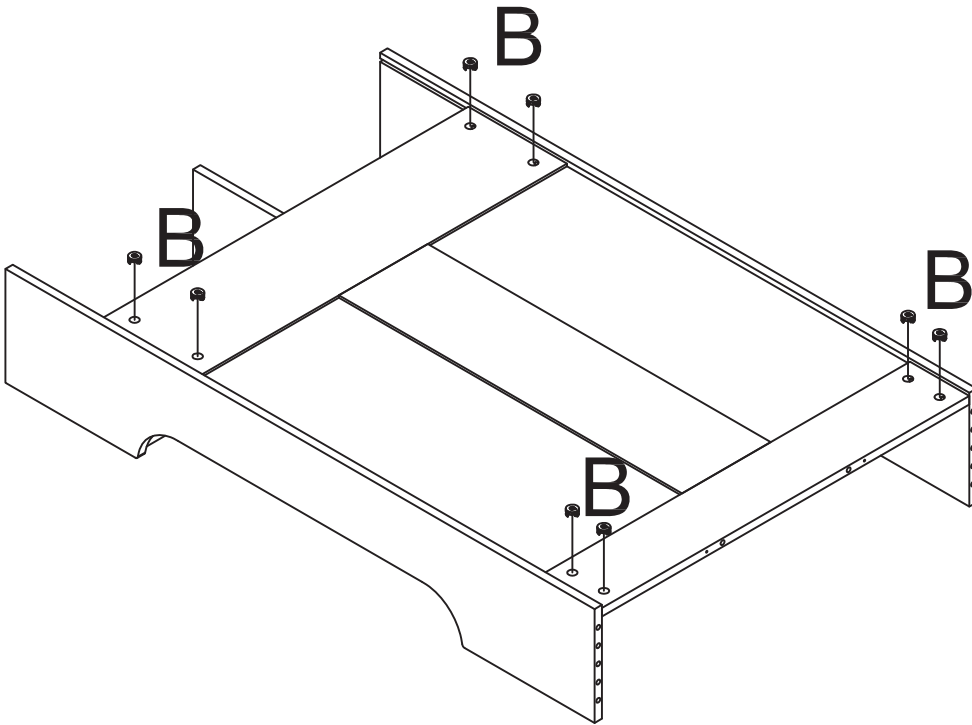
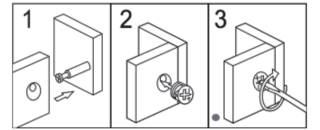


STEP 6

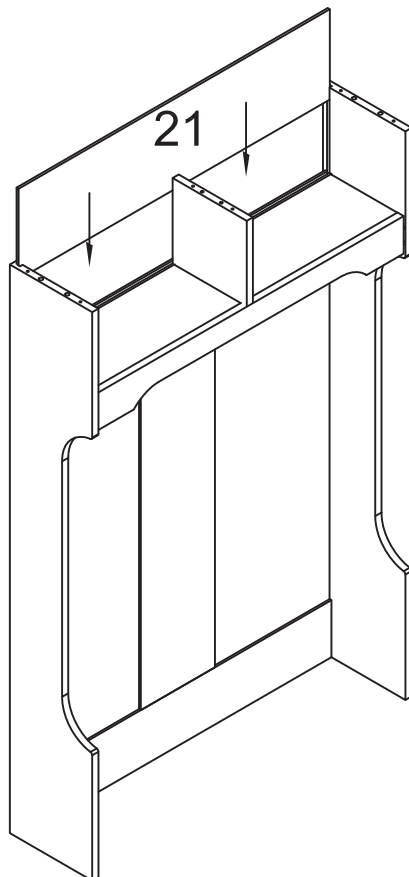


**STEP 7**

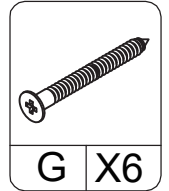
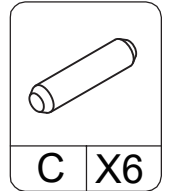
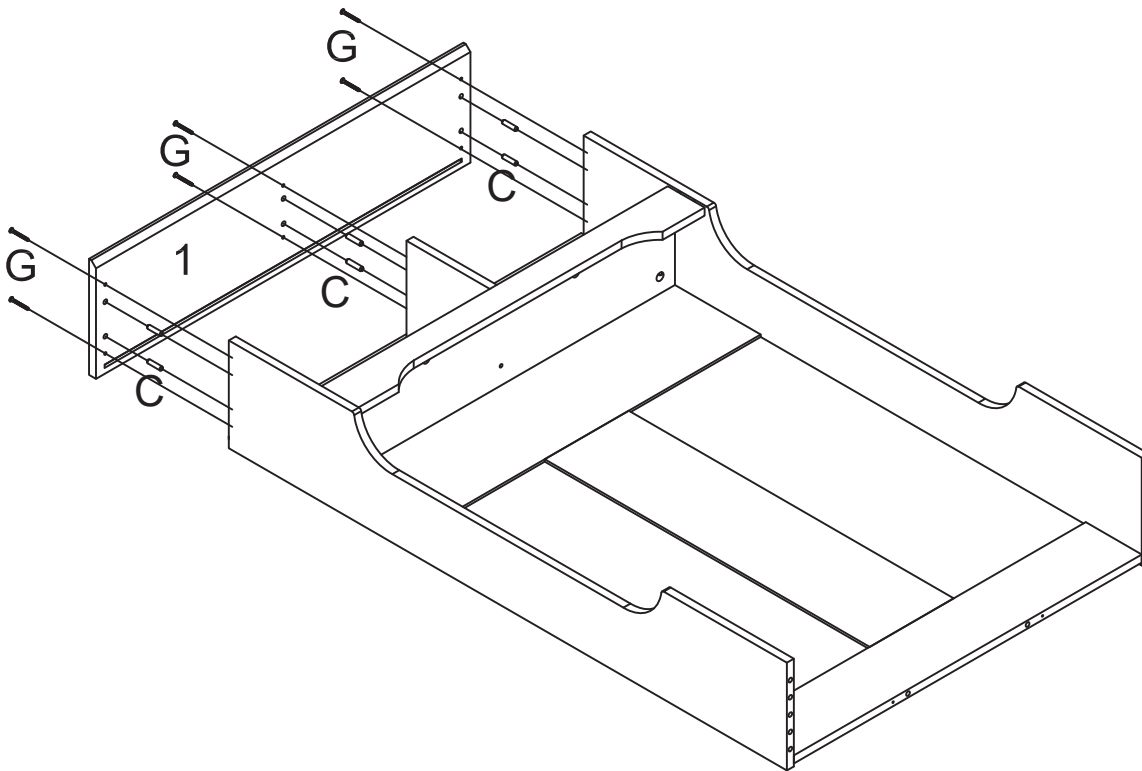
**Cam Lock Fastening System**



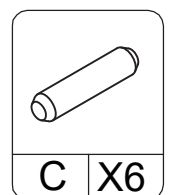
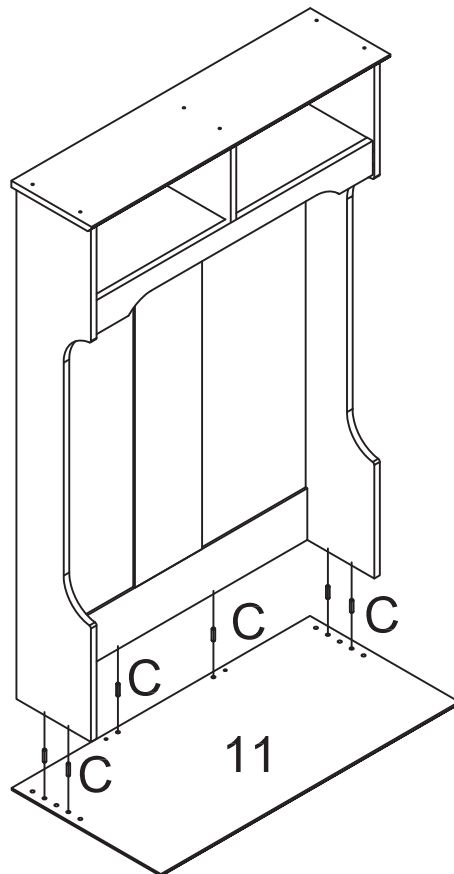
**STEP 8**



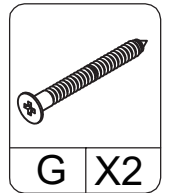
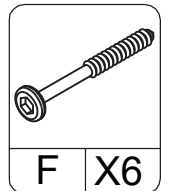
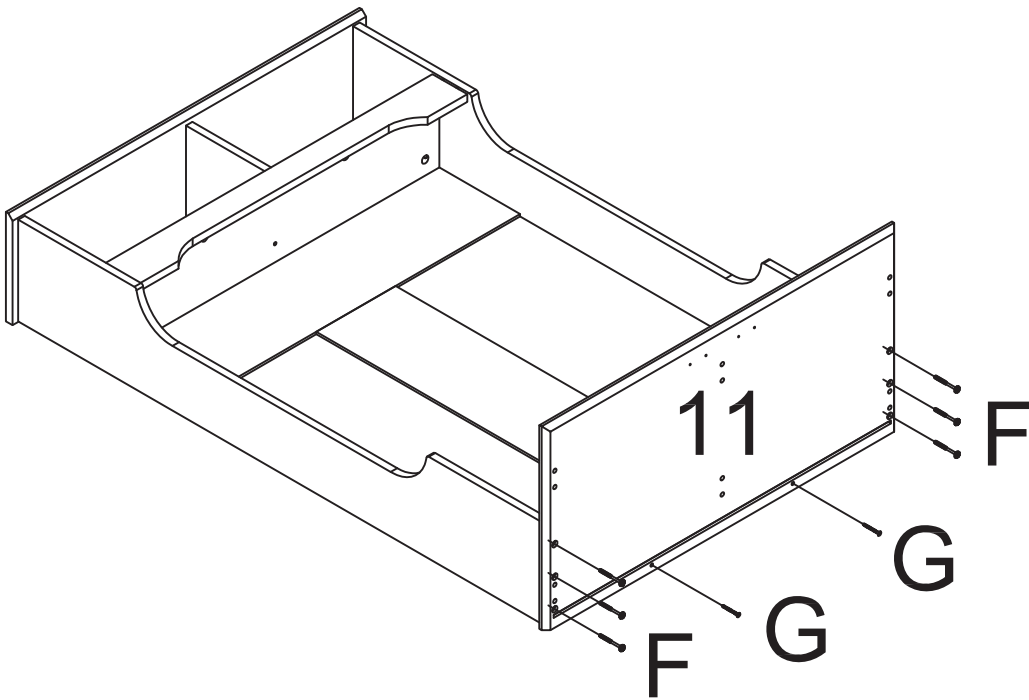
STEP 9



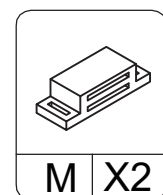
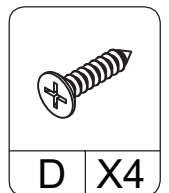
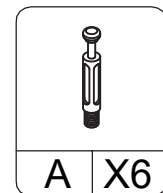
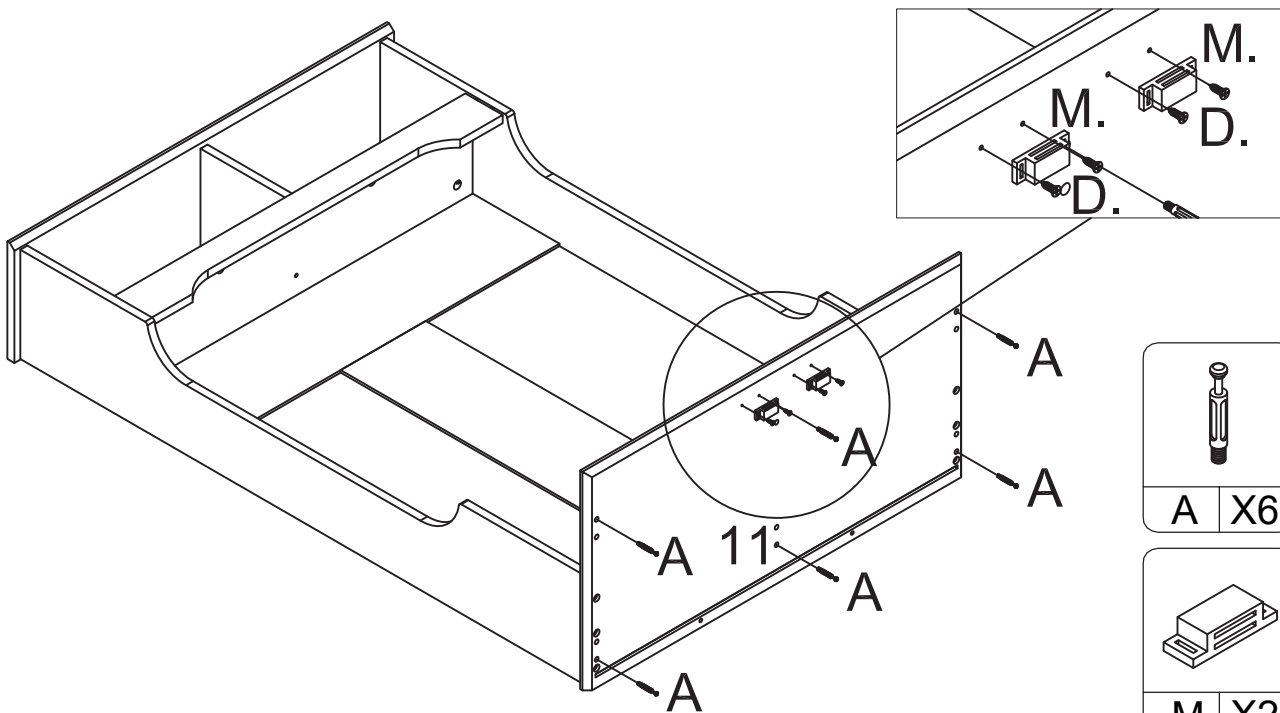
STEP 10



STEP 11

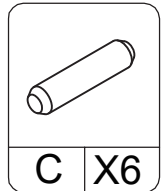
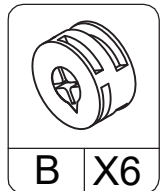
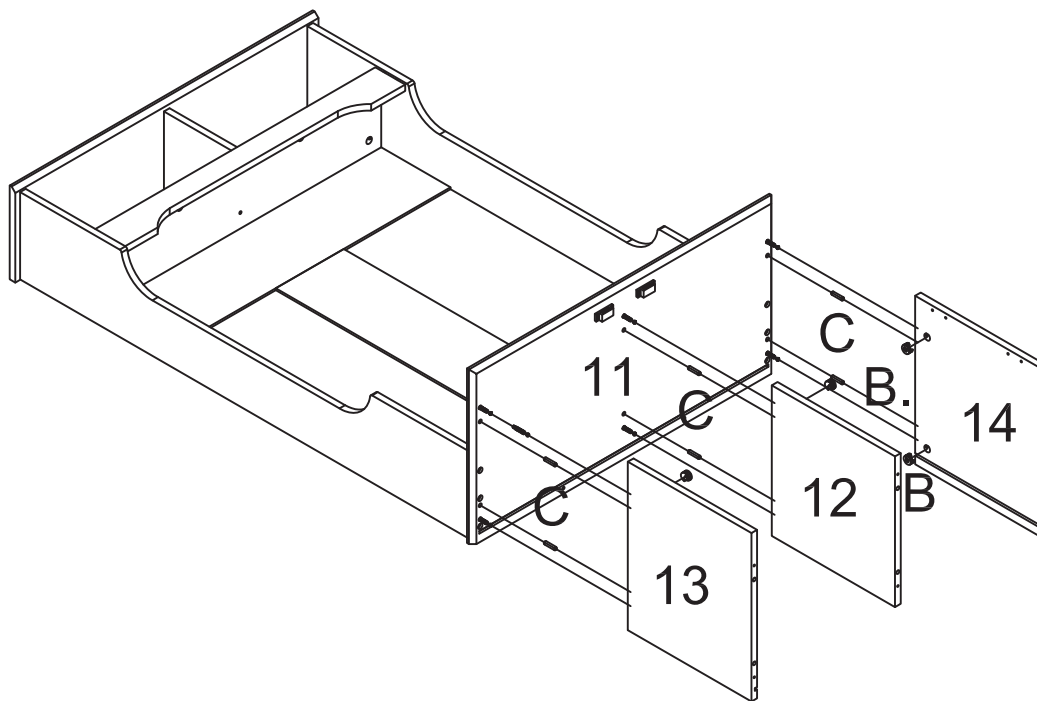
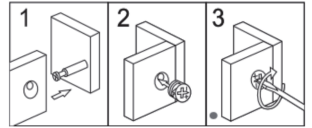


STEP 12

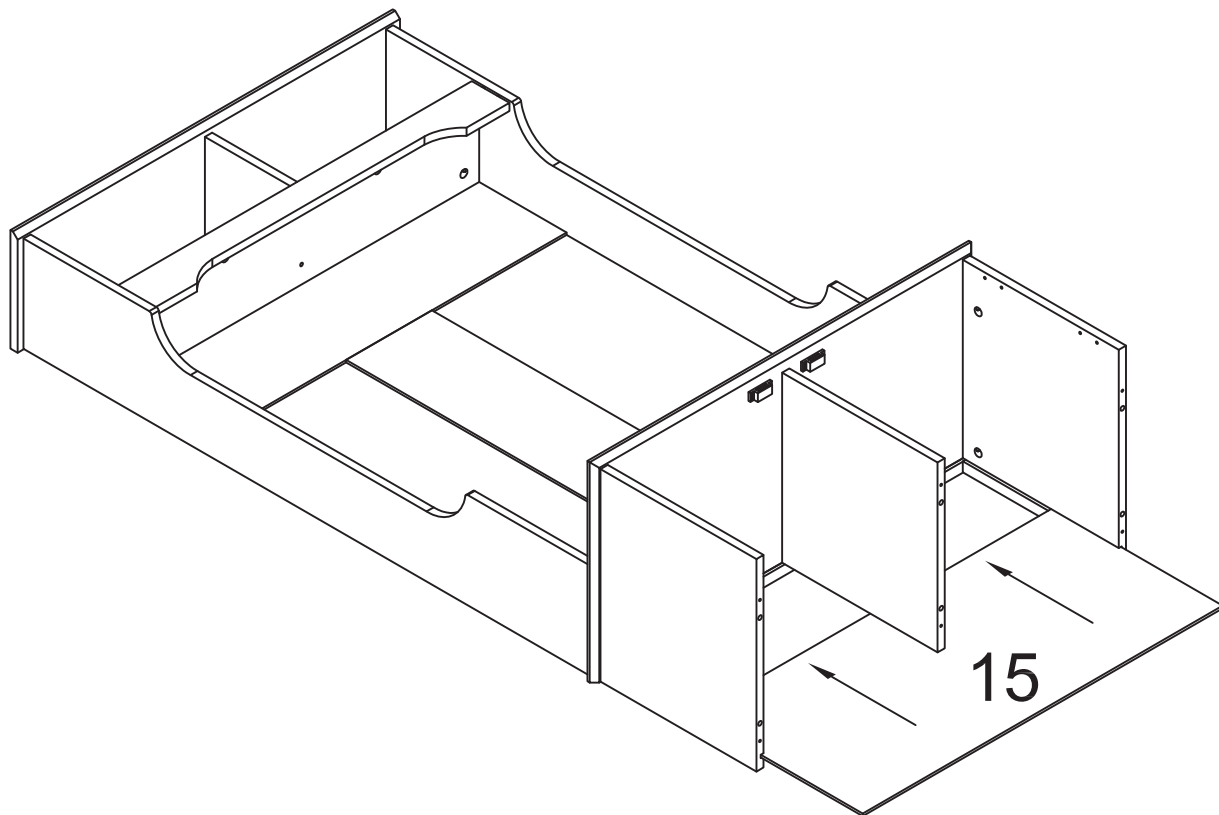


# STEP 13

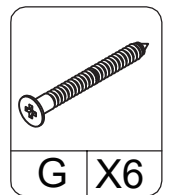
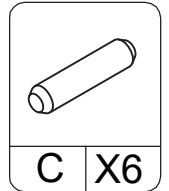
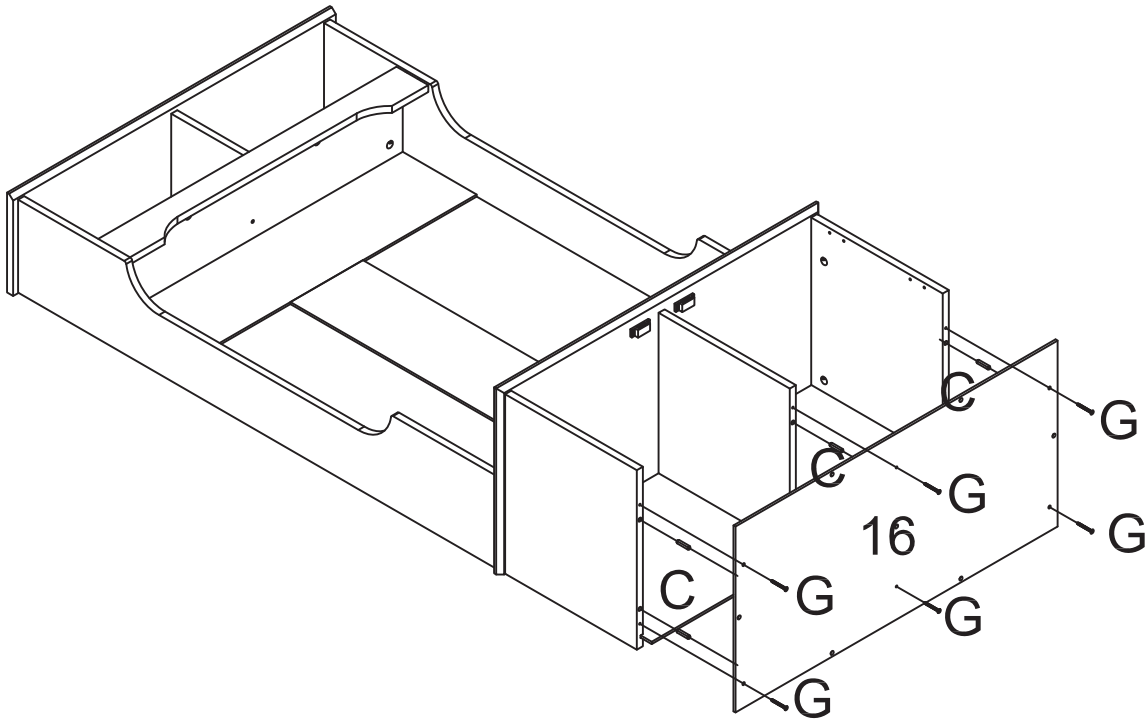
Cam Lock Fastening System



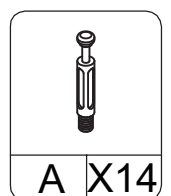
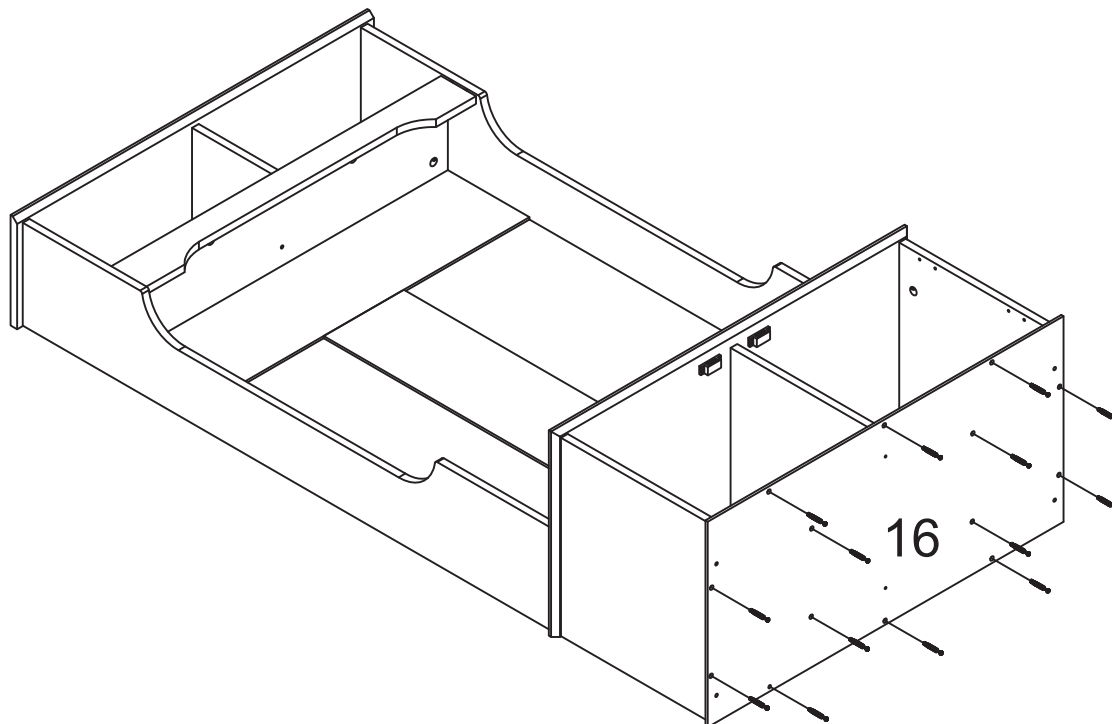
# STEP 14



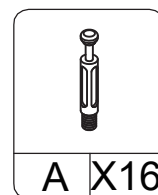
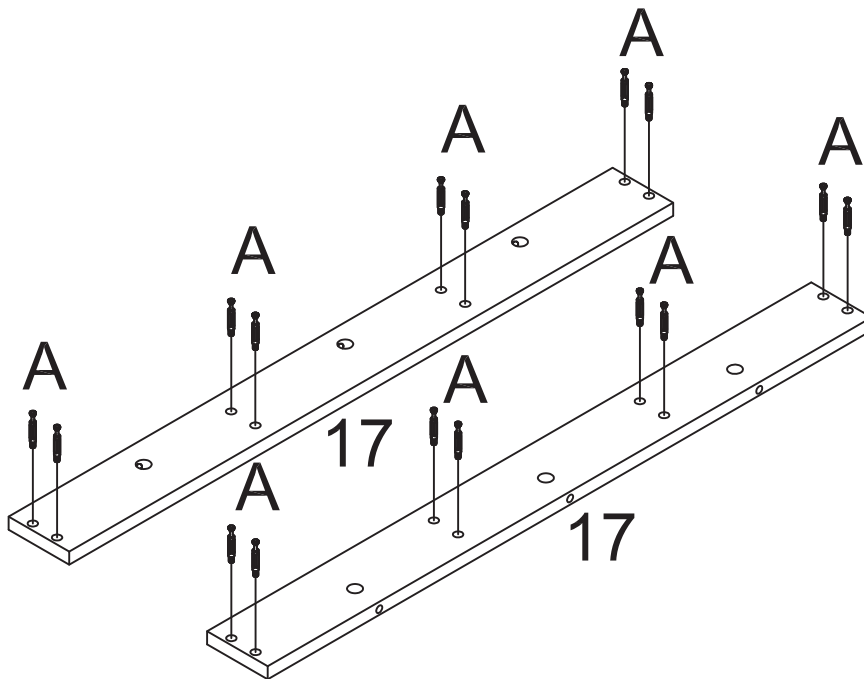
STEP 15



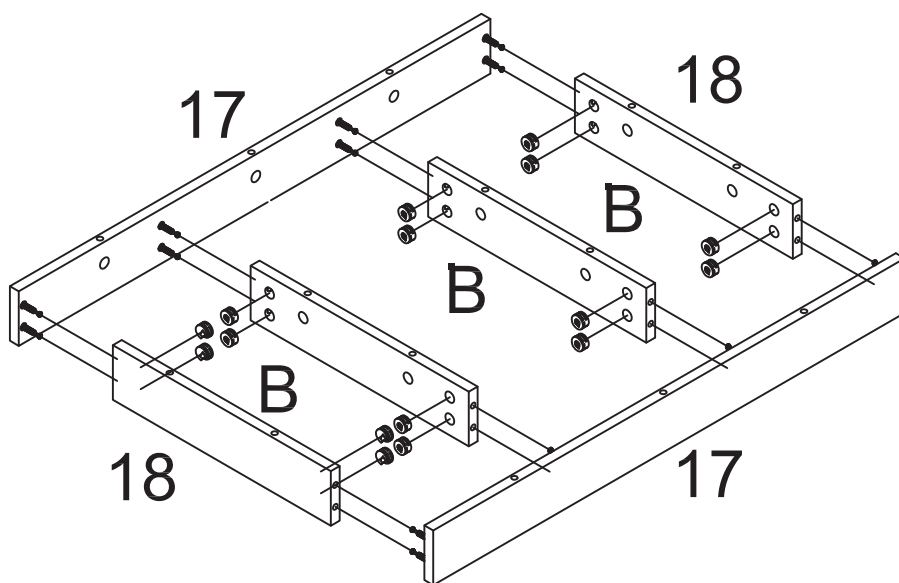
STEP 16



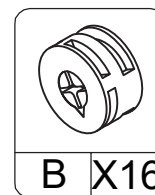
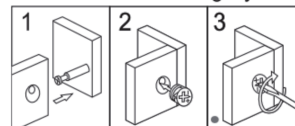
STEP 17



STEP 18

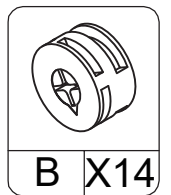
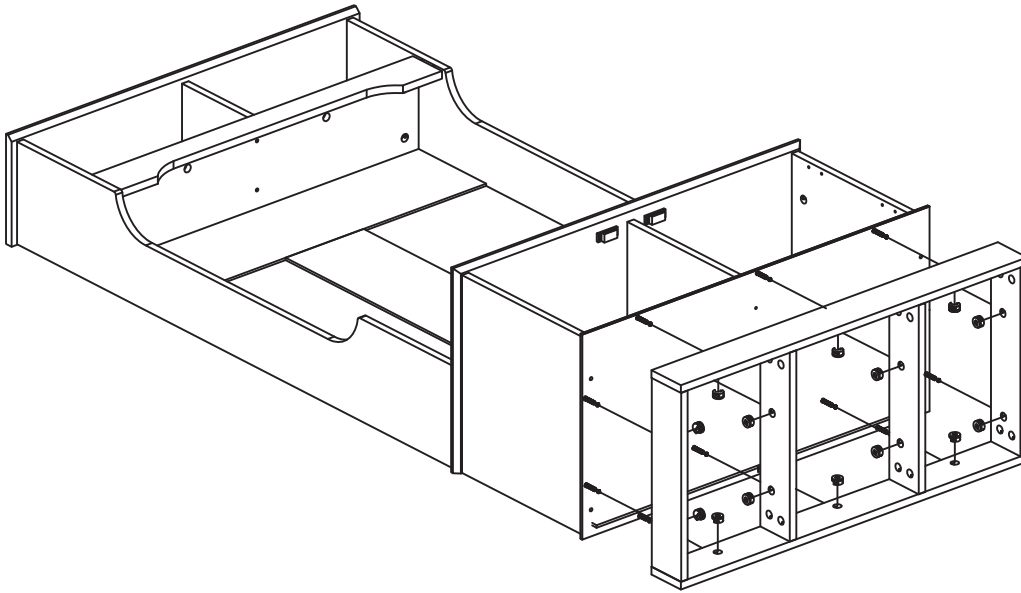
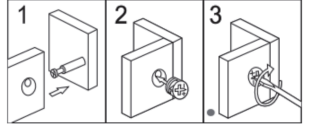


Cam Lock Fastening System

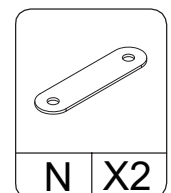
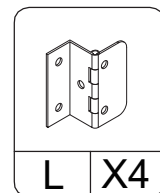
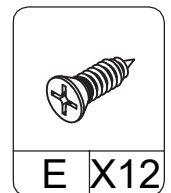
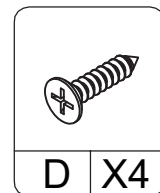
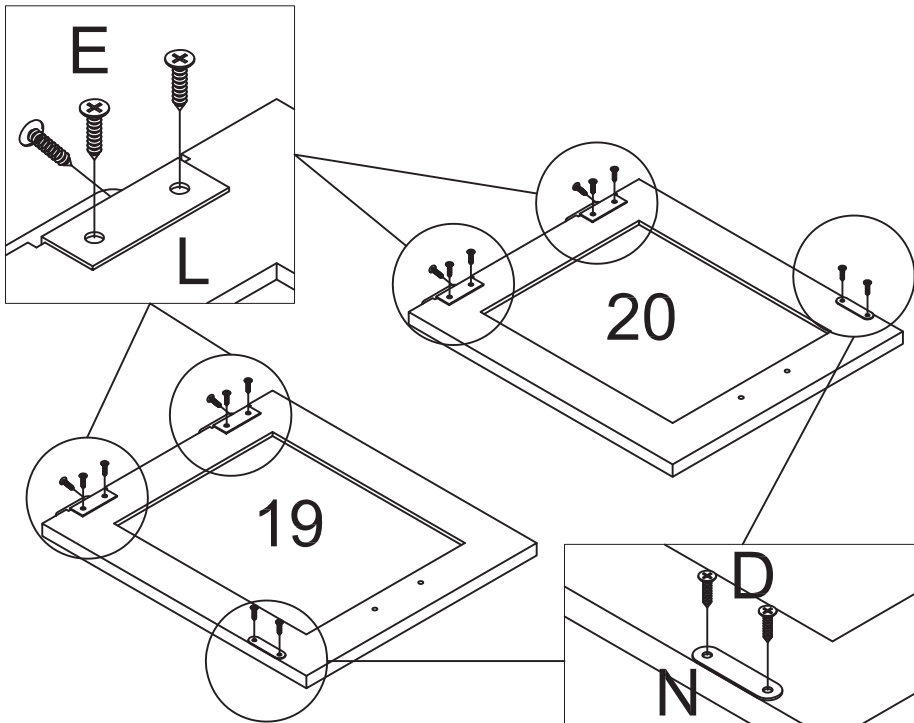


**STEP 19**

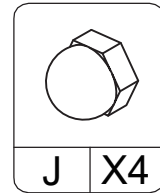
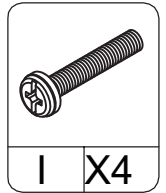
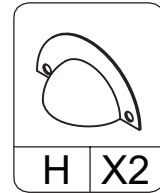
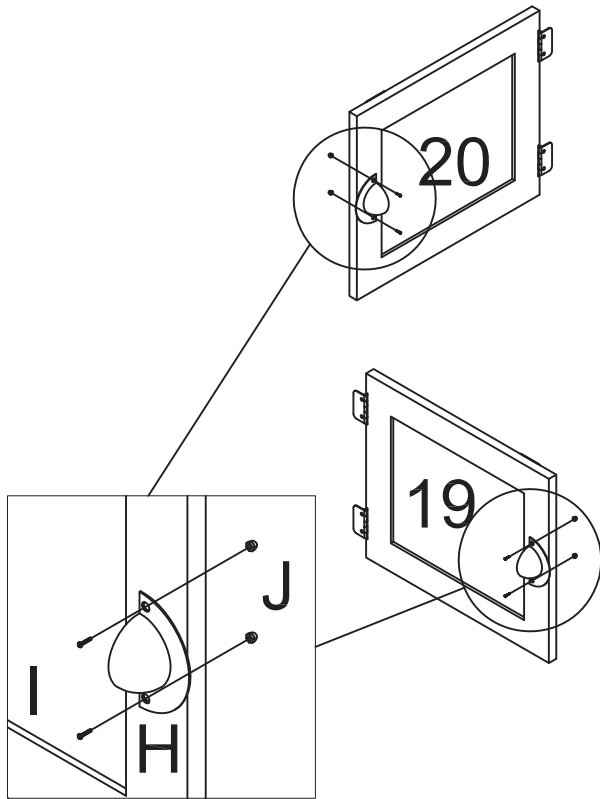
**Cam Lock Fastening System**



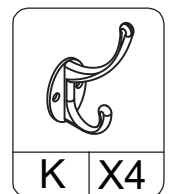
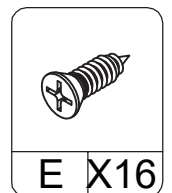
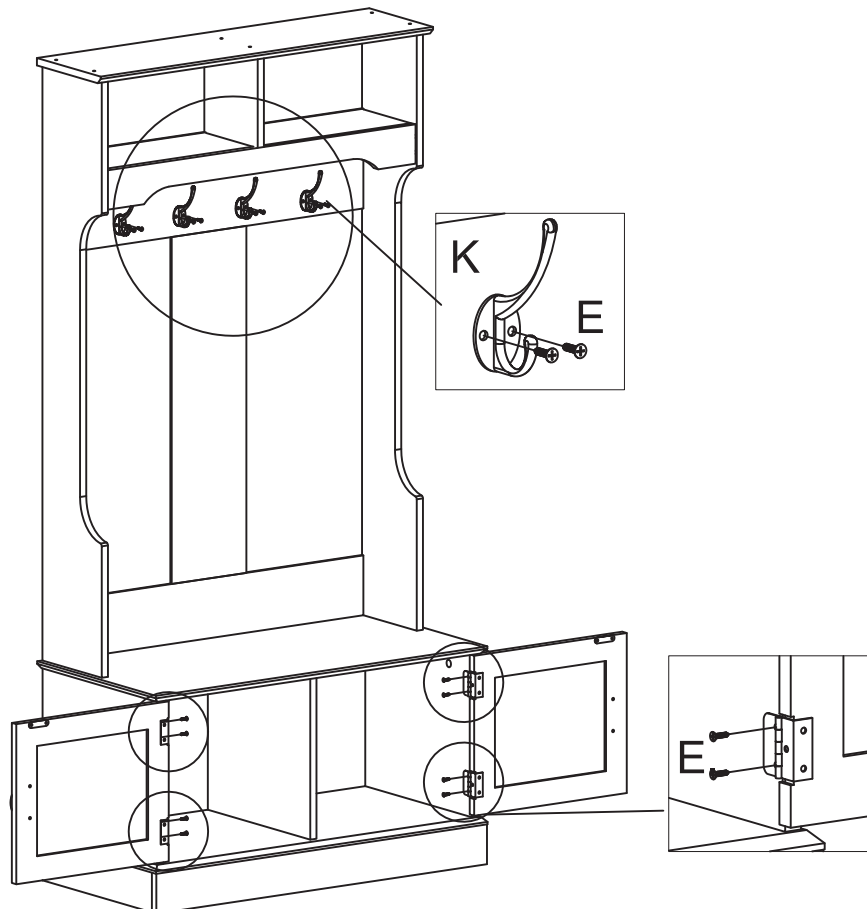
**STEP 20**



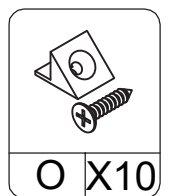
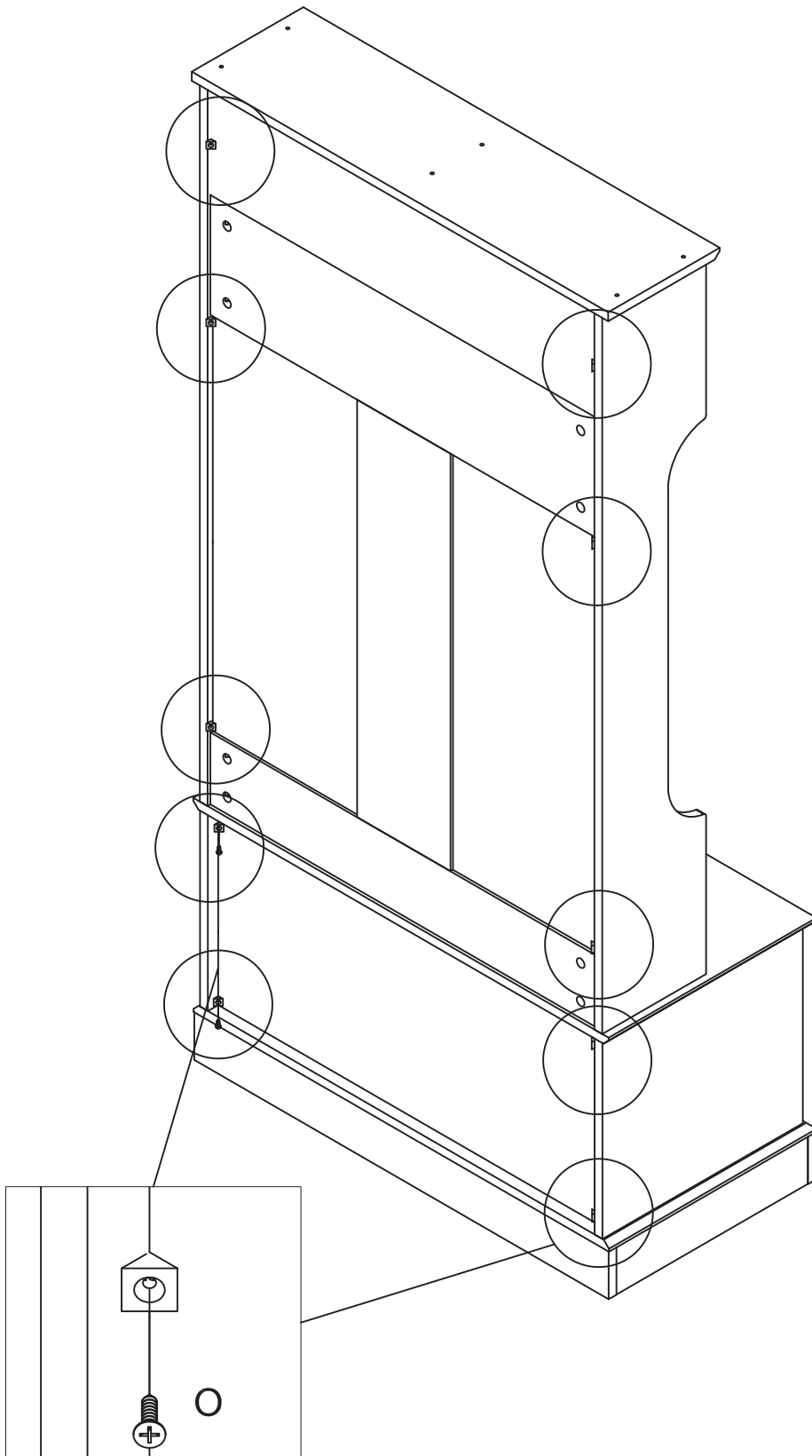
STEP 21



STEP 22



STEP 23



## Quality and Safety Guidelines:

- Please follow the static and dynamic weight capacity limits provided on this item. If you are unsure of the weight capacities for this product, email us at
- Please use this item on a stable, level surface only. All parts of the stand base should contact the flooring surface when in use. Do not use this item if any instability is detected.
- Please install and use anti-tipping devices.
- For maintenance instructions and replacement parts, please email us at
- Do not climb or stand on this item.
- Do not use this item as a TV stand.
- The item is intended to be used indoors.
- For product longevity, product safety and product integrity, protect from wet or humid weather and store indoors in a dry location. For additional storage instructions, please email us at