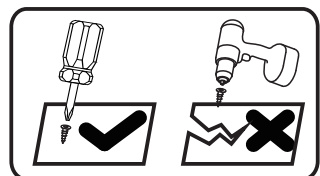
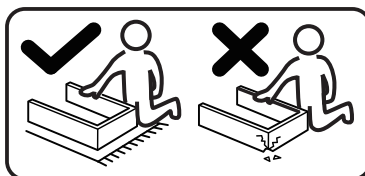
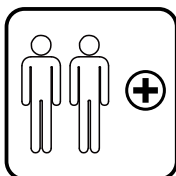
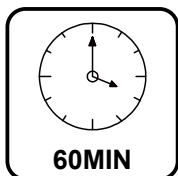
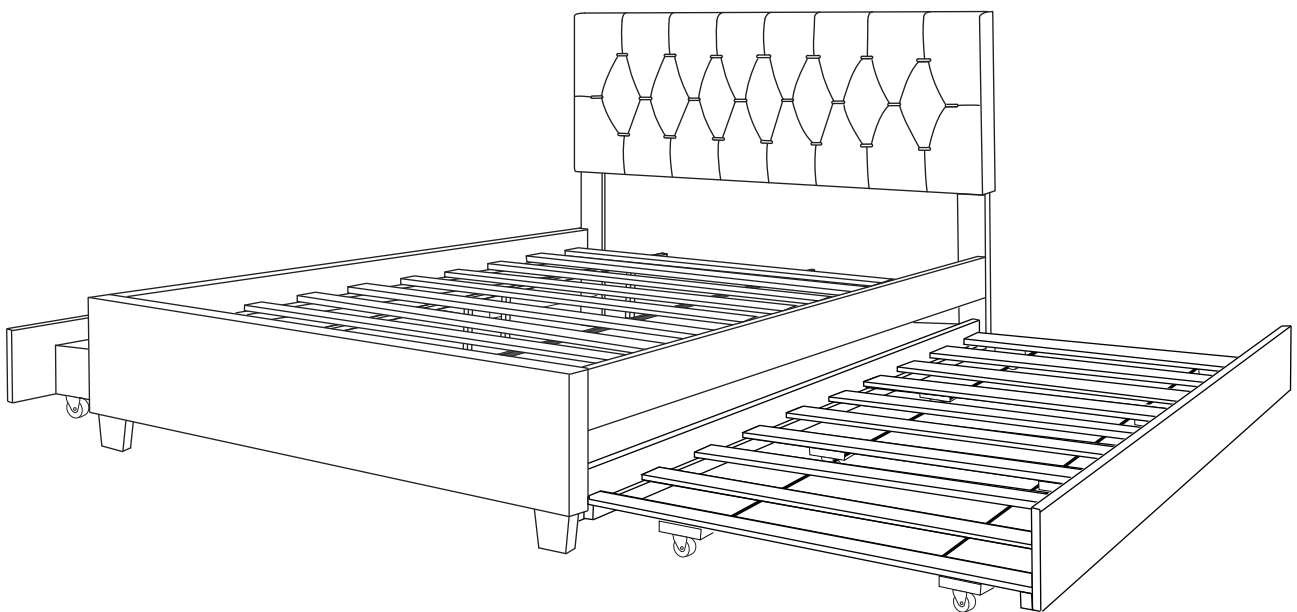
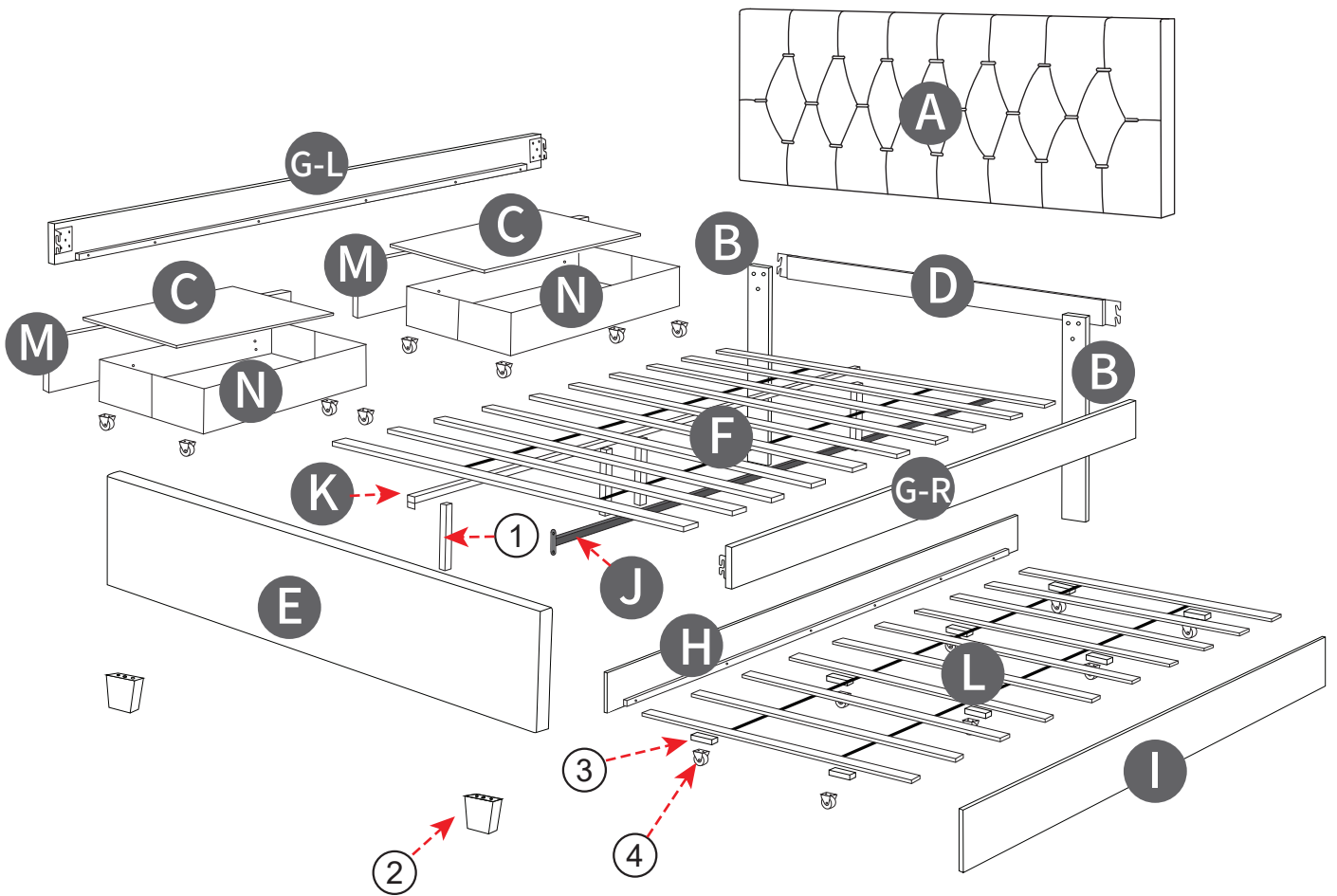


SRN-TOMO 3011

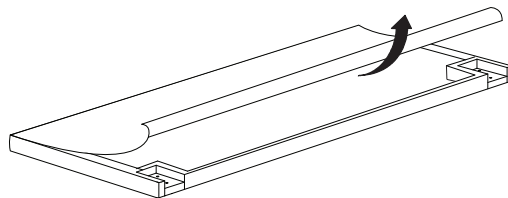


IMPORTANT, RETAIN FOR FUTURE REFERENCE: READ CAREFULLY.

- Please confirm that all components are present before beginning assembly.
- For the protection of your furniture, place all parts on a clean and smooth surface to prevent any damage.
- Please assemble the furniture by 2 persons or more.
- Do not confuse similar screws.
- Do not tighten bolts fully until all parts are connected!
- Please periodically check all fitting and re-tighten as necessary.



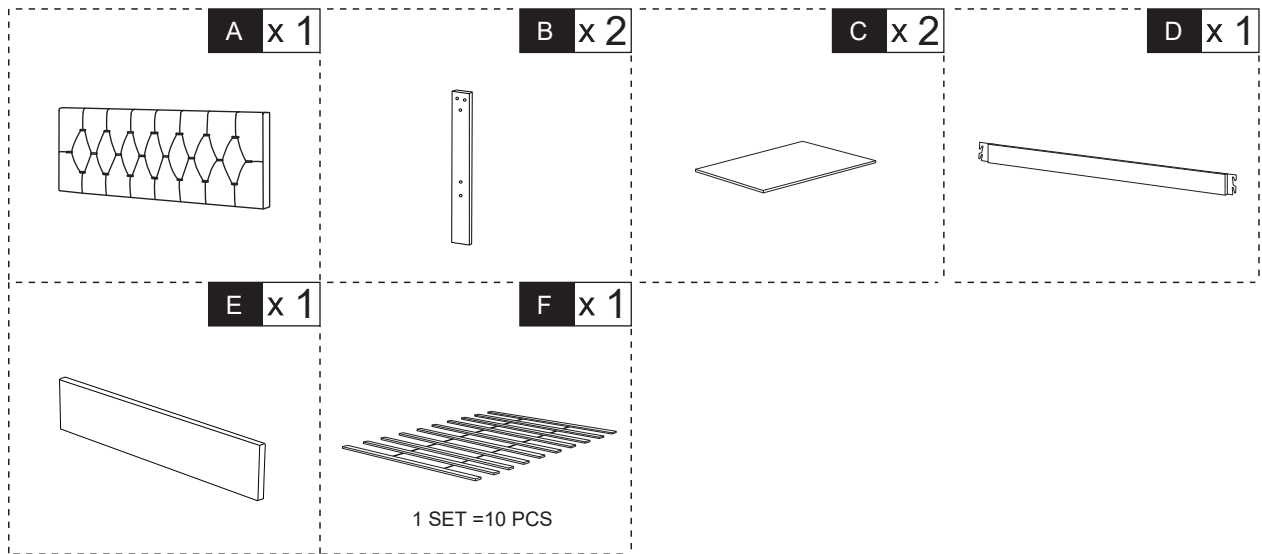
Bed Parts are shipped inside a compartment
in the back of the headboard.



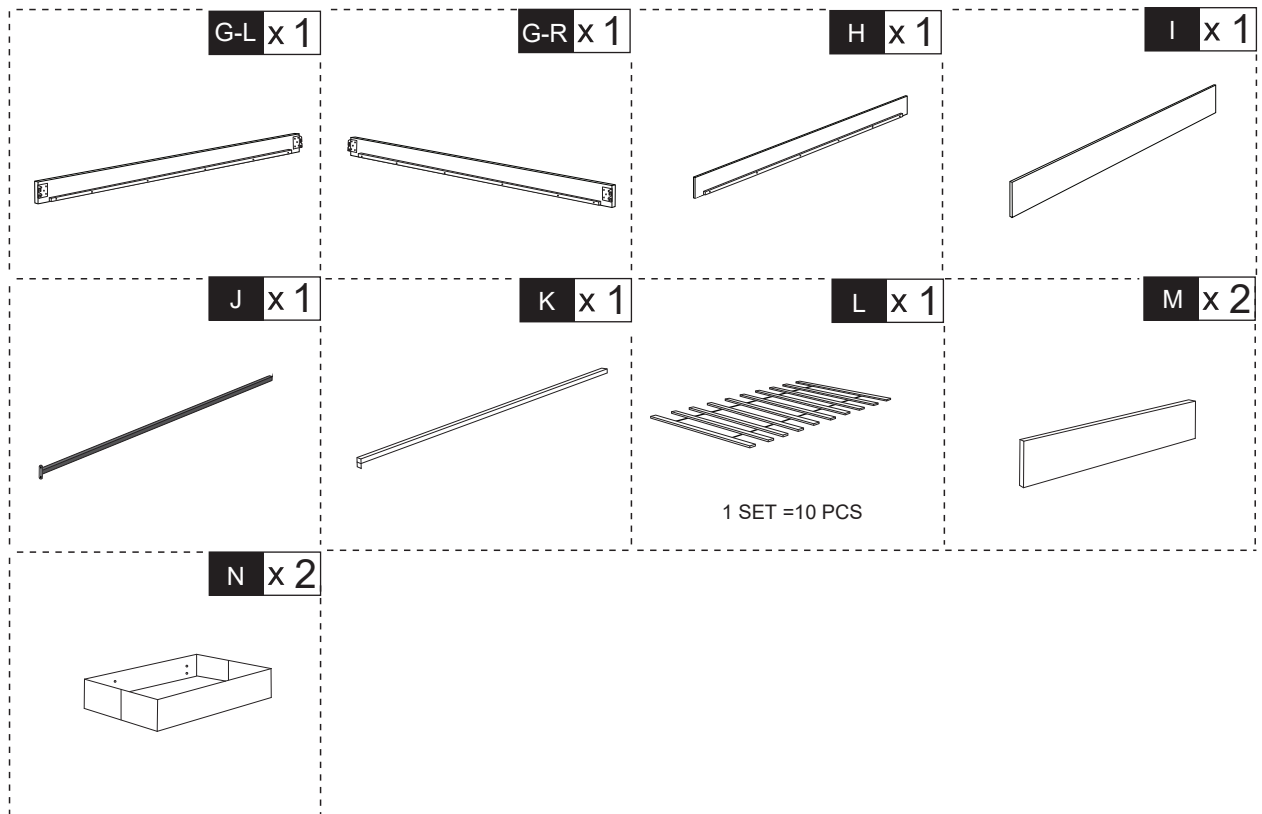
PACKING DETAILS: TOTAL 2 BOXES

PARTS


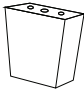










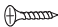
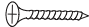
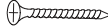
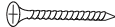
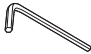








BOX -1/2



BOX -2/2



BOX -1/2

<p>① x 4</p> 	<p>② x 2</p> 	<p>③ x 8</p> 	<p>④ x 16</p> 
<p>⑤ x 12 M8 x 25 mm</p> 	<p>⑥ x 4 M8 x 70 mm</p> 	<p>⑦ x 2 M6 x 20 mm</p> 	<p>⑧ x 6 M6 x 45 mm</p> 
<p>⑨ x 2 M6 x 40 mm</p> 	<p>⑩ x 2 M6 x 70 mm</p> 	<p>⑪ x 17 M6</p> 	<p>⑫ x 4 M8</p> 
<p>⑬ x 16 M4 x 16 mm</p> 	<p>⑭ x 10 M4 x 20 mm</p> 	<p>⑮ x 40 M4 x 30 mm</p> 	<p>⑯ x 16 M4 x 32 mm</p> 
<p>⑰ x 1 M4</p> 	<p>⑱ x 1 M5</p> 	<p>⑲ x 4 M8</p> 	<p>⑳ x 1</p> 
<p>㉑ x 6</p> 	<p>㉒ x 4</p> 	<p>㉓ x 16 M4 x 12 mm</p> 	<p>㉔ x 16 M4</p> 
<p>㉕ x 8 M6 x 15 mm</p> 			

Remarks: Extra hardware provided



M8

19 x 4



M6 x 70 mm

10 x 2



M6 x 45 mm

8 x 6



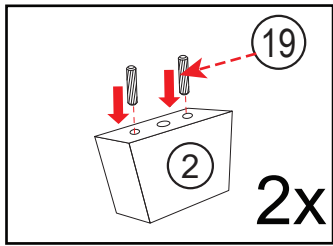
M6

11 x 6

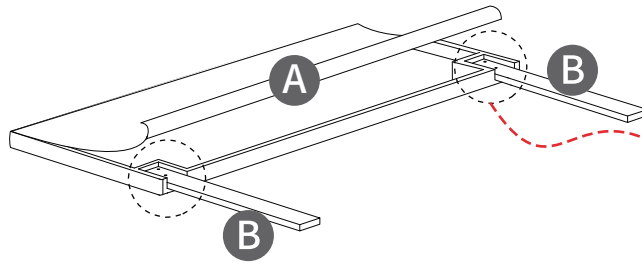
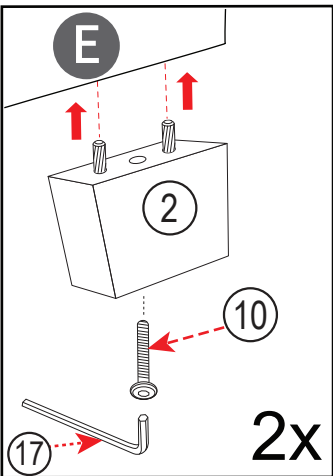


2 x 2

STEP 1.1

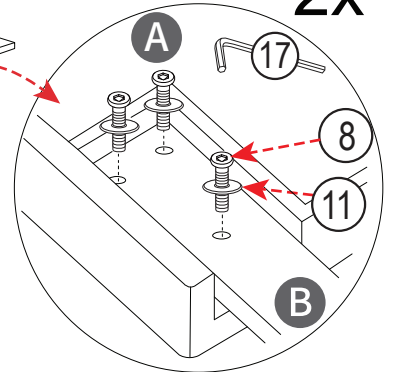


STEP 1.2

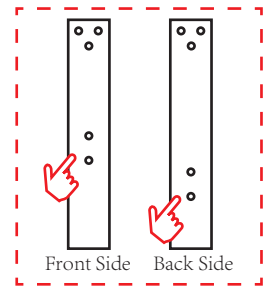


STEP 1.3

2x

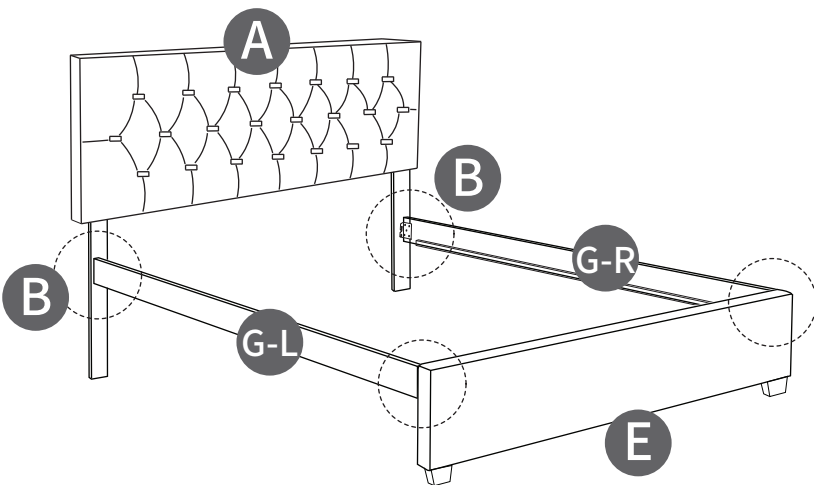


Make sure the position are facing the same direction

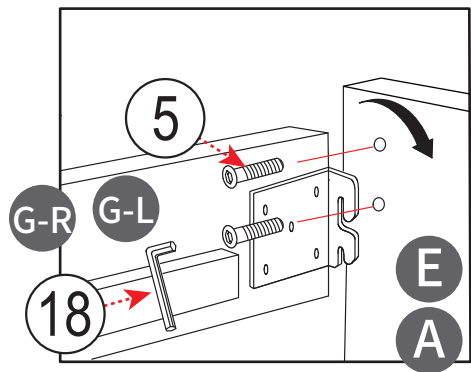


M8 x 25 mm

5 x 8



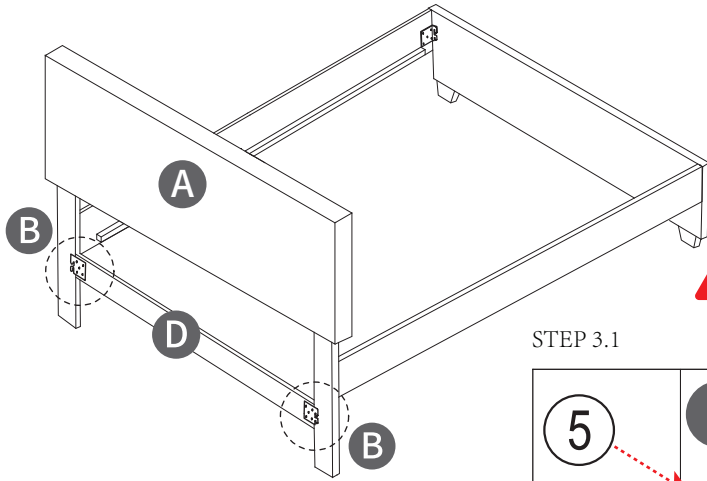
4x





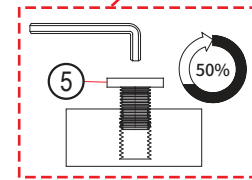
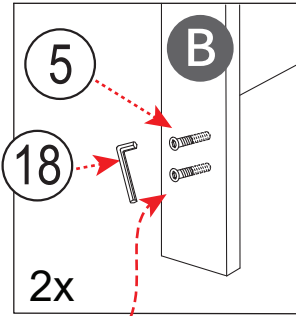
M8 x 25 mm

5 x 4

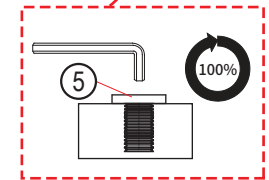
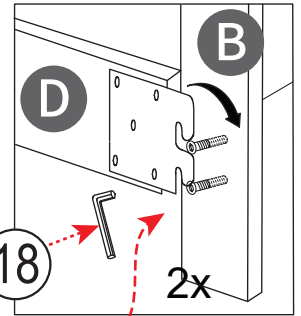


Do not fully tighten screws before completing step 3.2

STEP 3.1



STEP 3.2



M6 x 40 mm

9 x 1



M6

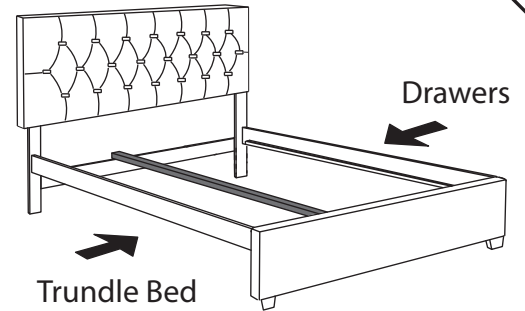
11 x 3



M6 x 20 mm

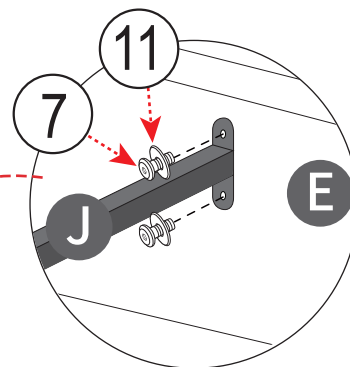
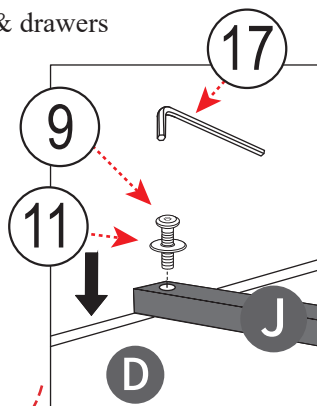
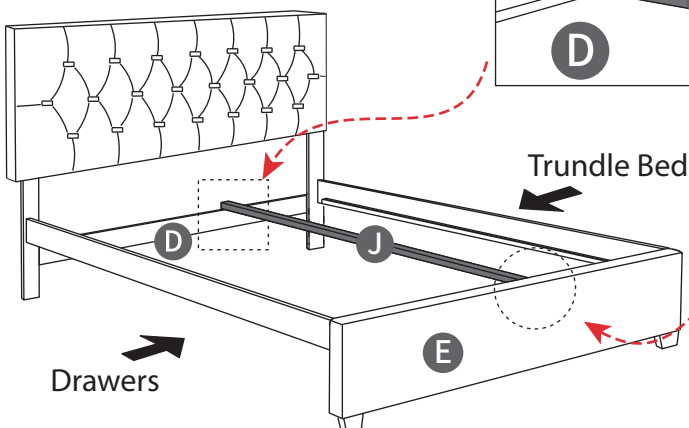
7 x 2

Option 2



Decide the side for trundle bed & drawers

Option 1





M8 x 70 mm

6 x 4



M8

12 x 4



M4 x 20 mm

14 x 4



20 x 1



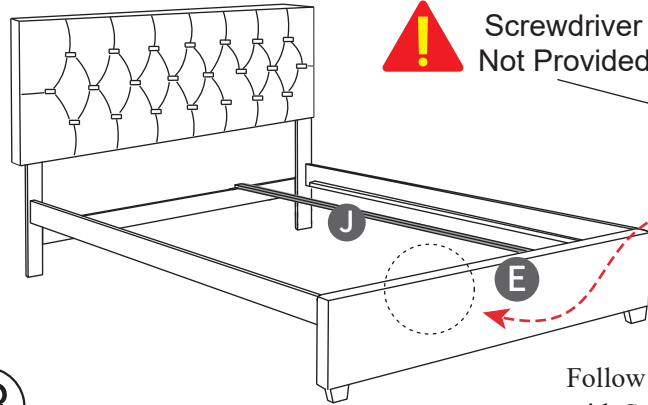
M6 x 40 mm

9 x 1



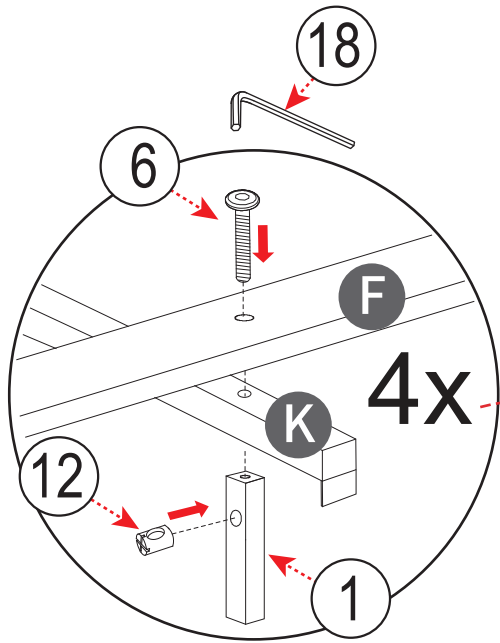
1 x 4

STEP 5.1

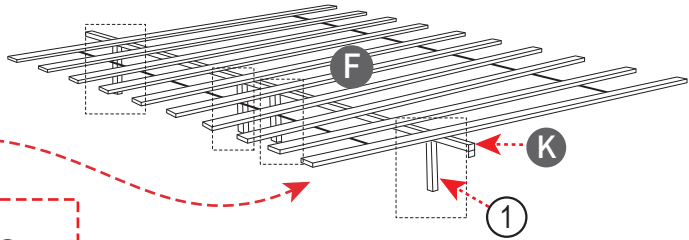


Screwdriver Not Provided

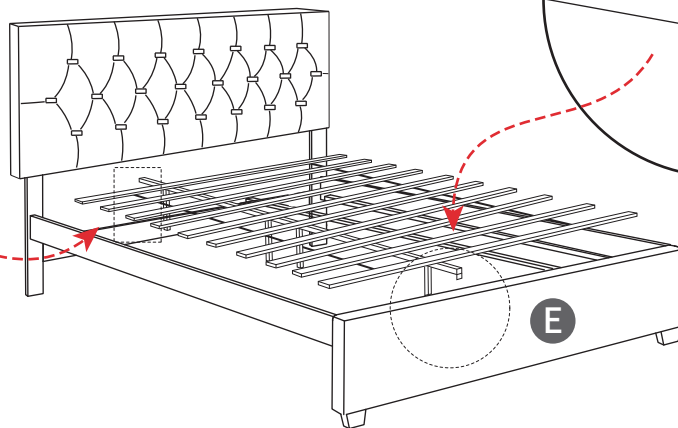
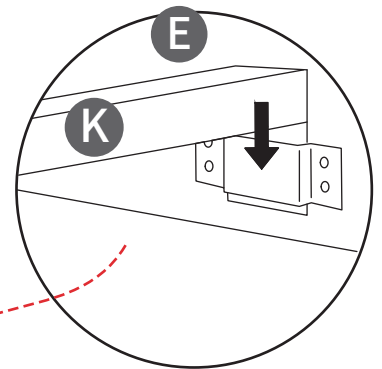
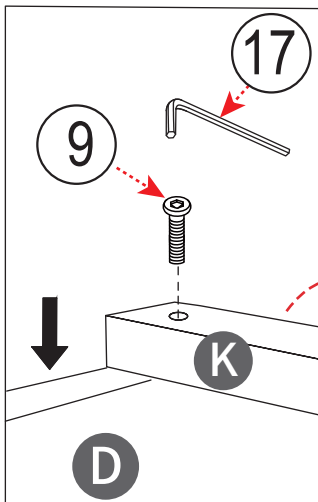
Follow the marking to attach the U-Bracket with Screw 20mm (4PCS) at Footboard.

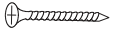


STEP 5.2



STEP 5.3



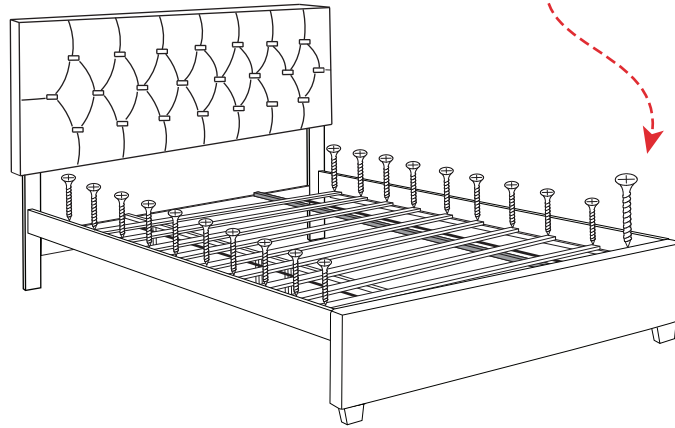
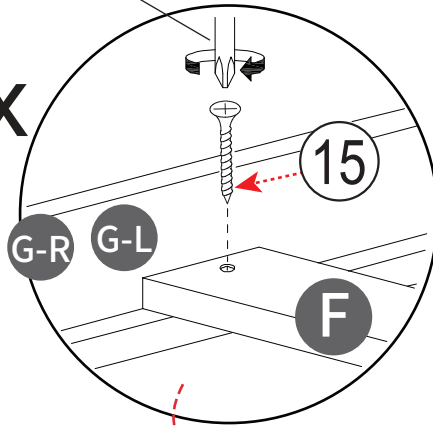


M4 x 30 mm

15 x 20

Screwdriver Not Provided

20x



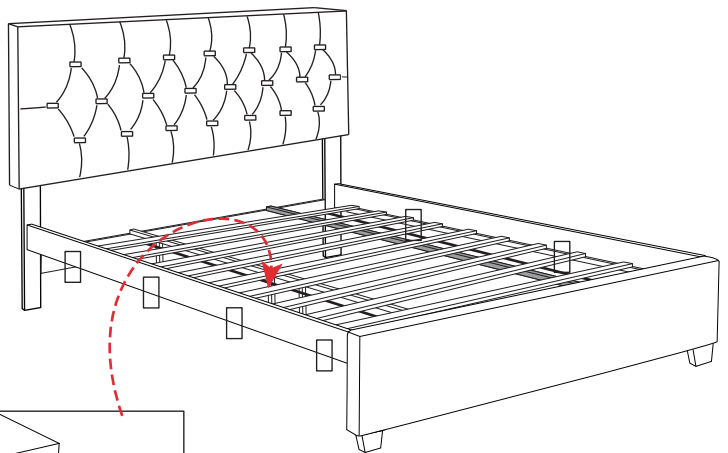
M4 x 20 mm

14 x 6

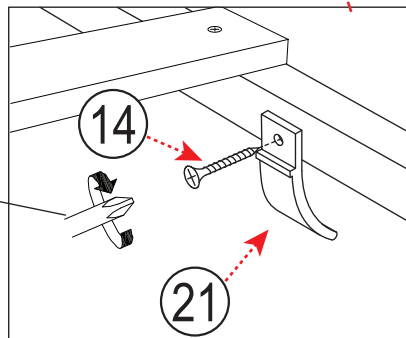


21 x 6

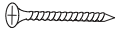
Optional:
Add drawer / trundle bed stopper



Screwdriver Not Provided

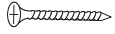


6x



M4 x 32 mm

16 x 16



M4 x 30 mm

15 x 20



M4 x 16 mm

13 x 16

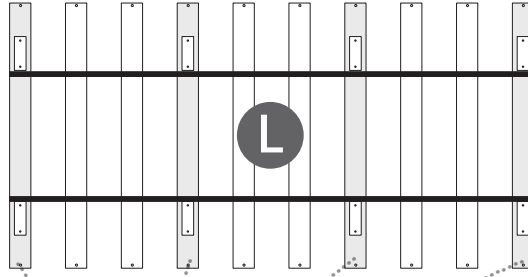


4 x 8

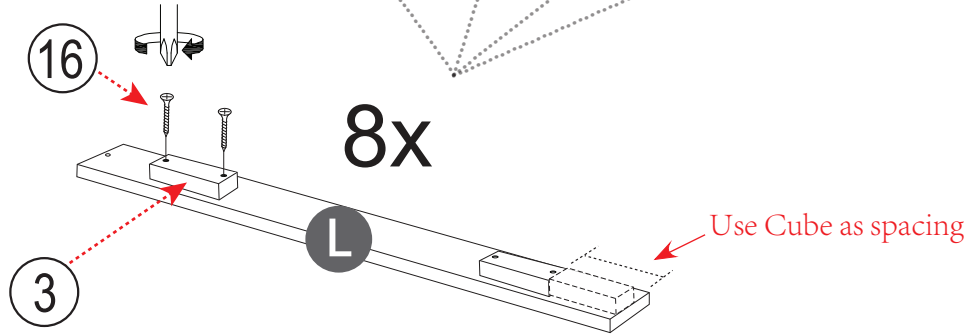


3 x 8

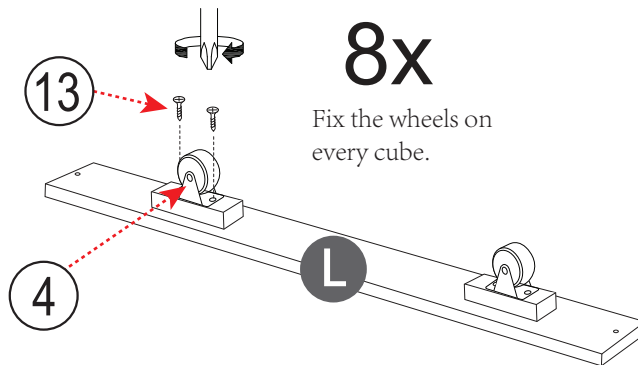
Fix the cube at the bottom of 1st, 4th, 7th, and 10th slat.



Step 8.1

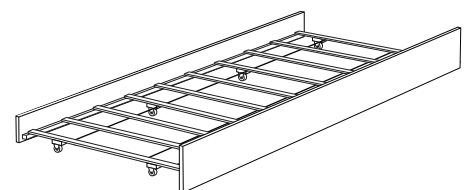
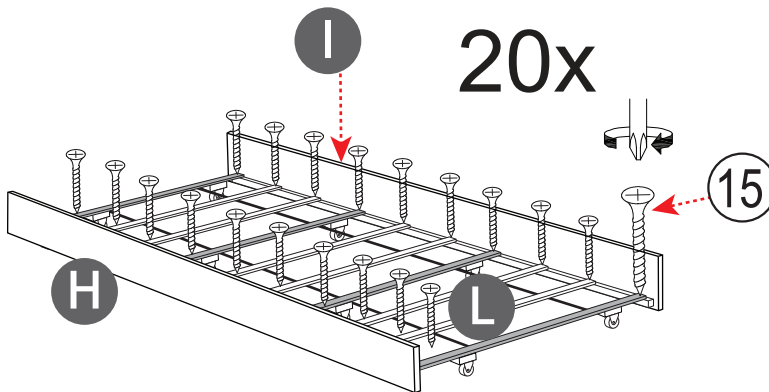


Step 8.2



Screwdriver Not Provided

Step 8.3



TRUNDLE COMPLETED ASSEMBLY



M4 x 12 mm

M4

M6

M6 x 15 mm

4 x 8

22 x 4

23 x 16

24 x 16

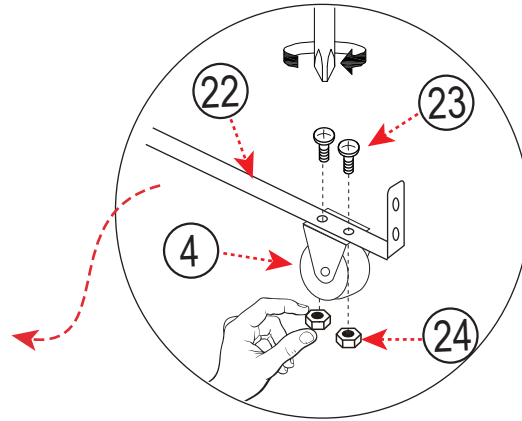
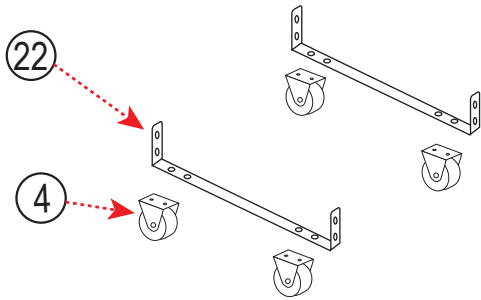
11 x 8

25 x 8



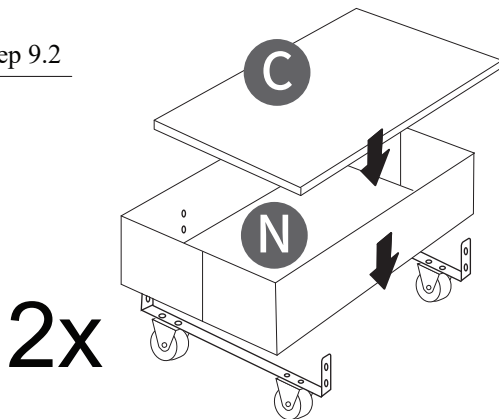
Screwdriver Not Provided

Step 9.1



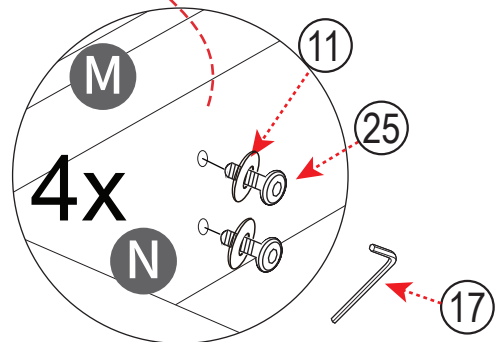
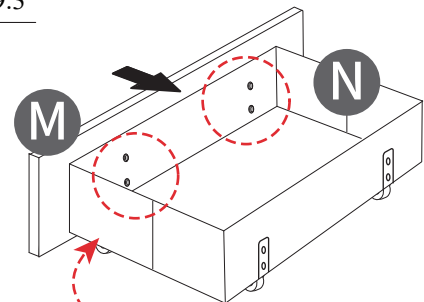
8x

Step 9.2

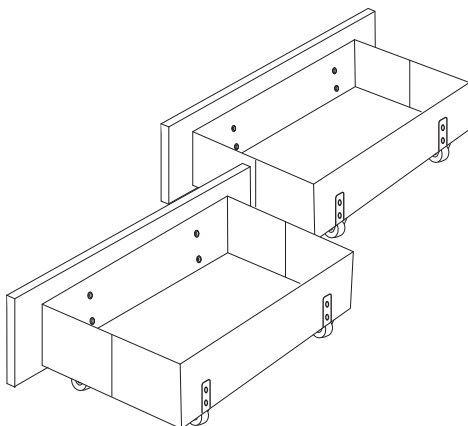


2x

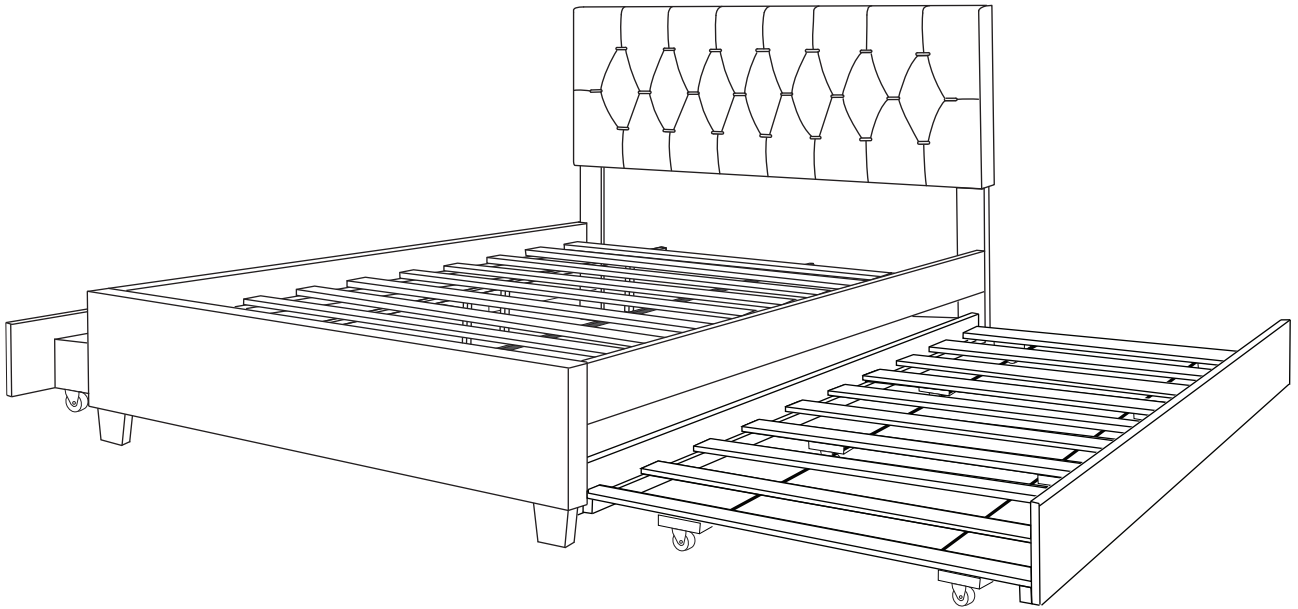
Step 9.3



4x



DRAWER COMPLETED ASSEMBLY



COMPLETED
ASSEMBLY