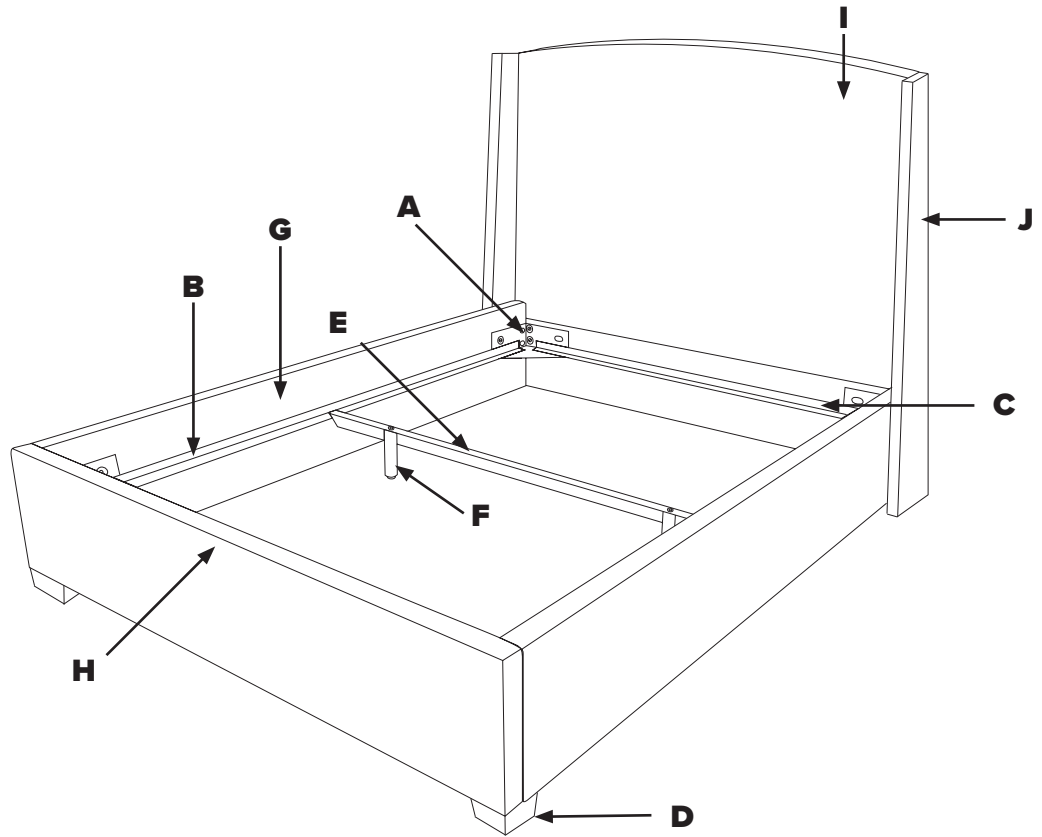


# FULL FLR WINGBACK BED ASSEMBLY

## COMPONENTS

ITEM	DESCRIPTION	QTY
<b>A</b>	Metal corners	4
<b>B</b>	Metal side rail	2
<b>C</b>	Metal end rail	2
<b>D</b>	Front corner leg	2
<b>E</b>	Center support rail	1
<b>F</b>	Center support leg	2
<b>G</b>	Upholstered side rail	2
<b>H</b>	Upholstered foot rail	1
<b>I</b>	Headboard	1
<b>J</b>	Headboard wings	2



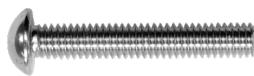
## HARDWARE



**(H1)** x 10  
1/4" bolt



**(H2)** x 10  
1/4" nut



**(H3)** x 2  
3 1/2" x 5/16" bolt



**(H4)** x 2  
1" x 1/4" bolt



**(H5)** x 2  
3/4" washer  
smaller hole



**(H6)** x 4  
L bracket



**(H7)** x 18  
1" x 5/16" bolt



**(H8)** x 30  
1 1/4" washer



**(H9)** x 1  
Smaller L wrench



**(H10)** x 1  
Wrench



**(H11)** x 4  
1 1/2" x 5/16"  
bolt



**(H12)** x 16  
3/4" screw



**(H13)** x 4  
2" screw



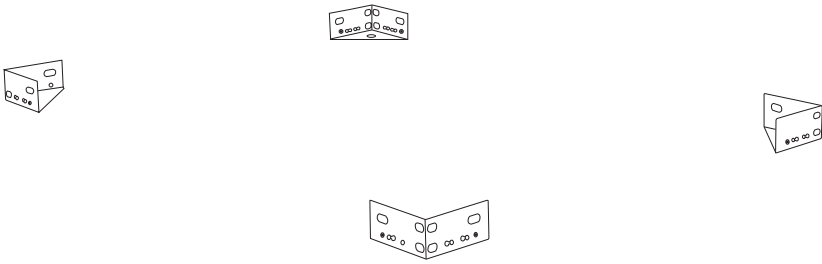
**(H14)** x 6  
2" x 5/16" bolt

Please note: you will need a flat head and phillips head screwdriver to assemble your bed frame.

# FULL FLR WINGBACK BED ASSEMBLY

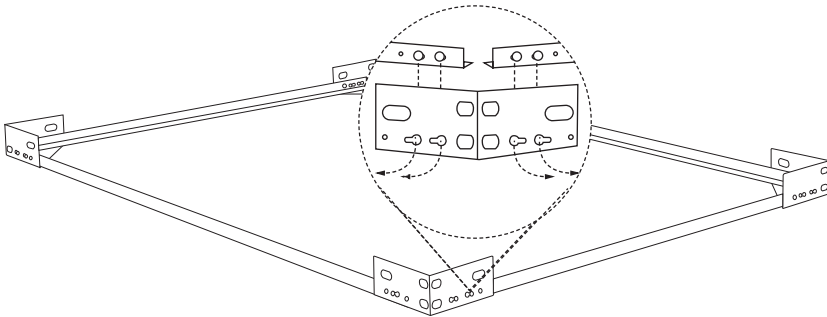
## STEP 1 - BUILDING THE METAL BED FRAME

---



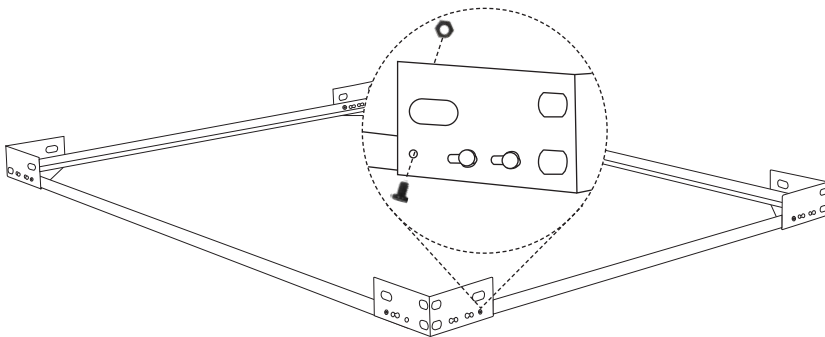
### 1.1

Place (A) metal corners in a rectangular shape roughly the size of your mattress.



### 1.2

Lay (B) and (C) metal rails into (A) metal corners to create the shape of your bed frame. Snap into place.



### 1.3

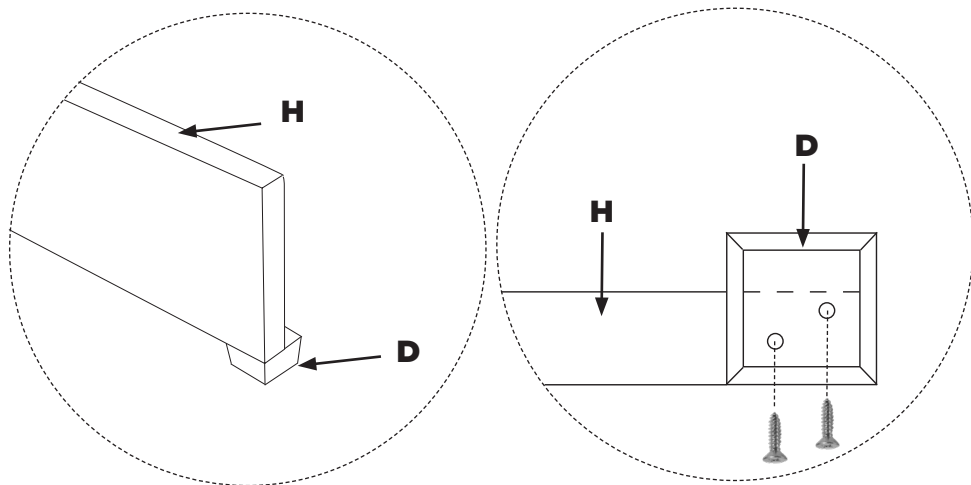
Secure (B, C) metal rails to (A) metal corners using (H1) bolts and (H2) nuts. Tighten using (H9) L wrench and (H10) wrench.

*Please note: (H2) nuts should be on the inside of the frame.*

# FULL FLR WINGBACK BED ASSEMBLY

## STEP 2 - ATTACHING THE FRONT CORNER LEGS

---



### 2.1

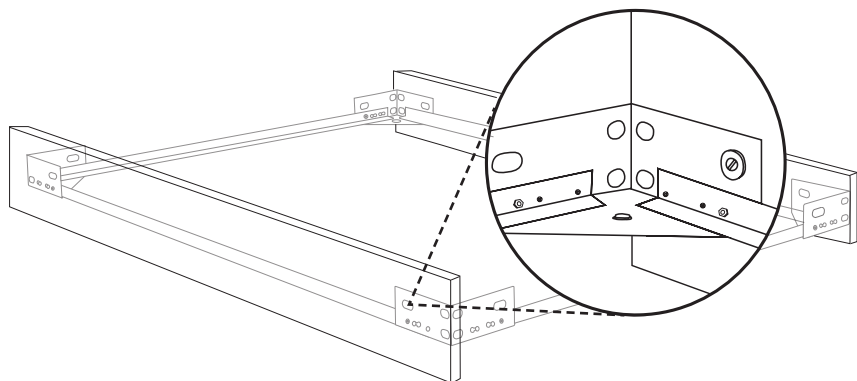
Carefully attach (D) corner legs to (H) foot rail. Align footrail corner to leg corner and use (H13) screws to firmly screw legs into footrail.

*Please note: This requires to screw directly into the upholstered footrail.*

*Overhang of corner legs will occur. Used for side rails to sit in place.*

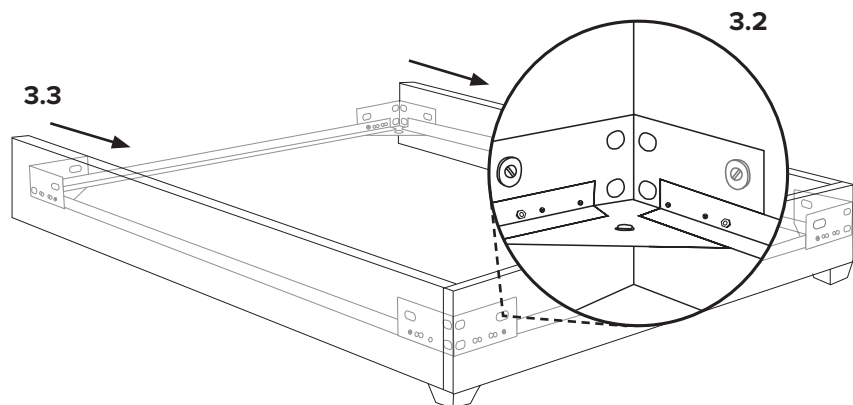
## STEP 3 - ATTACHING THE UPHOLSTERED RAILS

---



### 3.1

Carefully attach (G) side rails along (A) metal corners using (H7) bolts and (H8) washers. Loosely attach using flathead screwdriver.



### 3.2

### 3.2

Carefully attach (H) foot rail along (A) metal corners using (H7) bolts and (H8) washers. Loosely attach using flathead screwdriver.

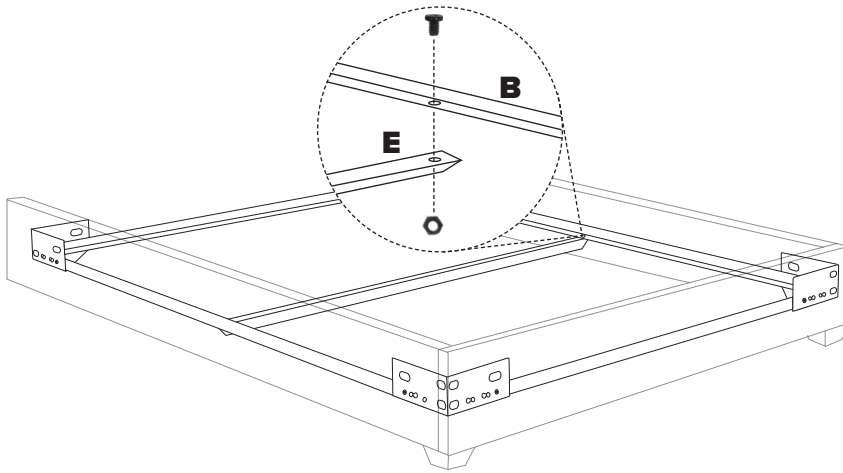
### 3.3

Push (G) side rails toward (H) foot rail to eliminate any gaps. Tighten (G) side rails first, then (H) foot rail using flat head screwdriver.

# FULL FLR WINGBACK BED ASSEMBLY

## STEP 4 - CENTER SUPPORT SYSTEM

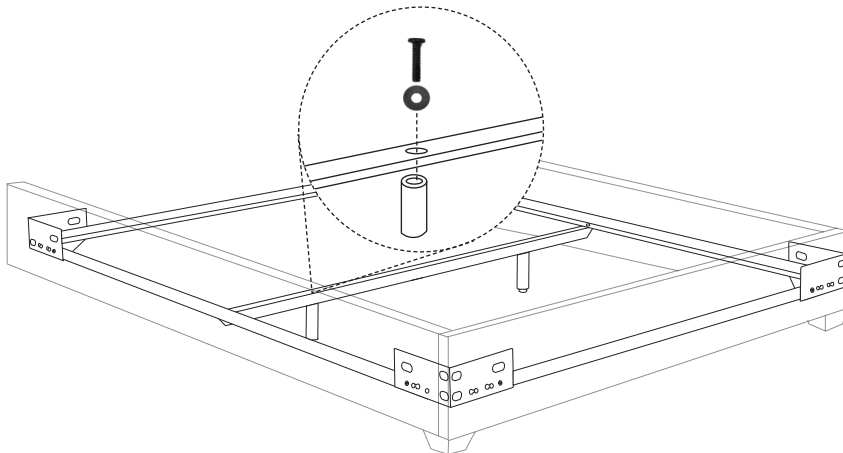
---



### 4.1

Align holes of (E) center support rail with holes on (B) metal side rails. Attach using (H1) bolts and (H2) nut. Tighten using (H9, H10) wrenches.

*Please note: (E) center support rail attaches underneath (B) metal side rails.*



### 4.2

Attach (F) center support legs to (E) center support rail using (H4) bolts and (H5) washer. Tighten using (H9) L wrench.

*Please note: You will have to lift the side without legs when installing center support legs.*

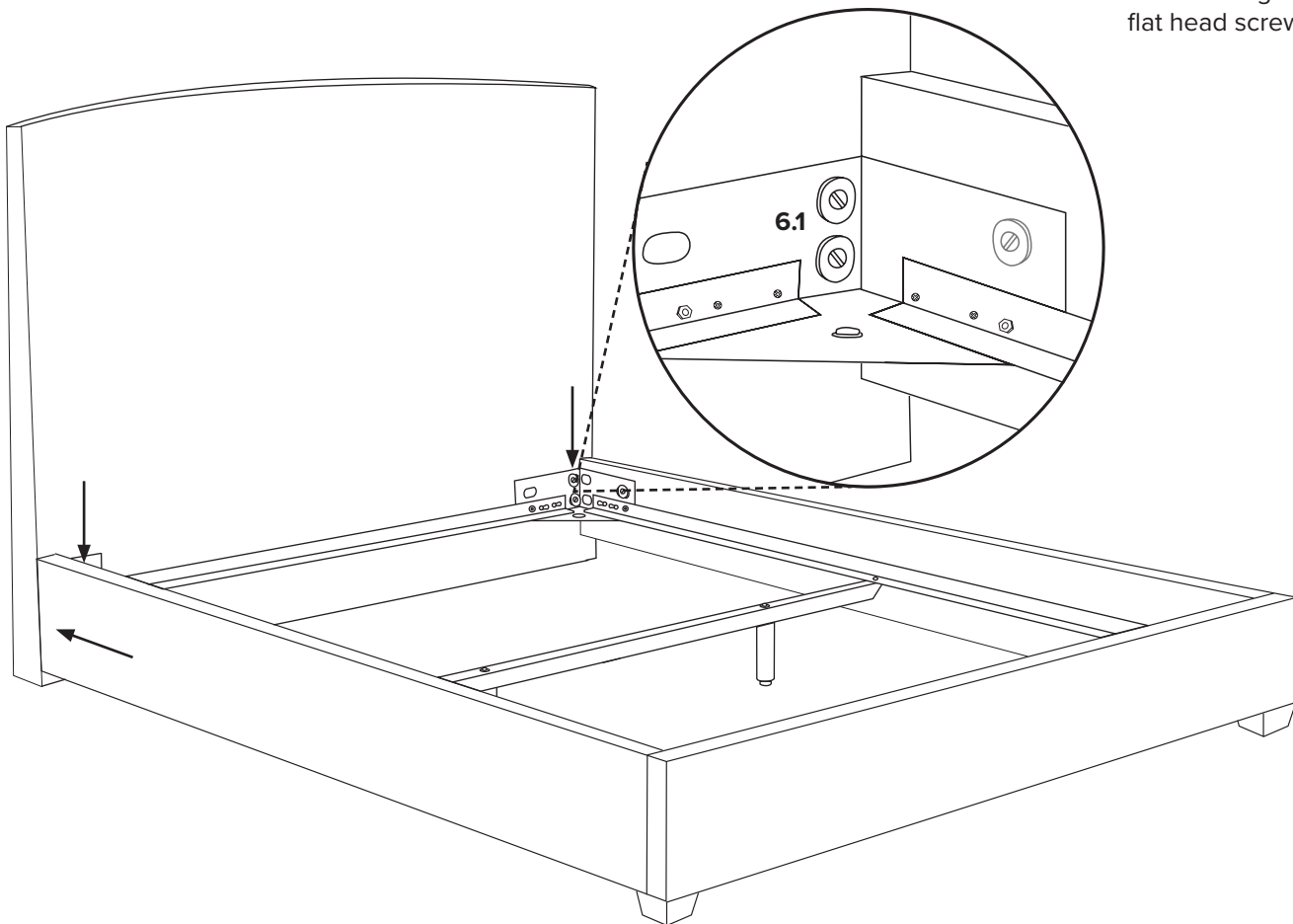
# FULL FLR WINGBACK BED ASSEMBLY

## STEP 5 - ATTACHING THE HEADBOARD

---

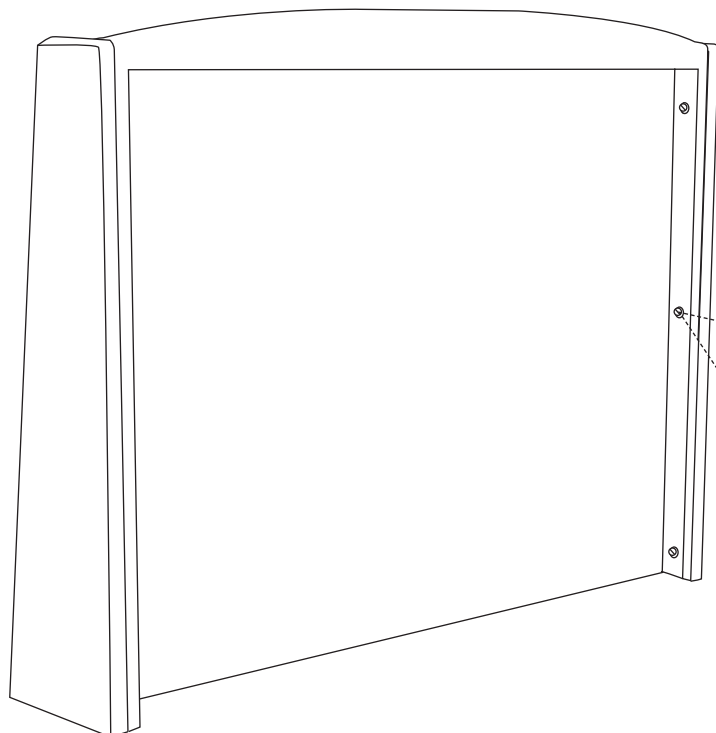
### 5.1

Attach (I) headboard to assembled bed frame using (H11) bolts and (H8) washers. Tighten using a flat head screwdriver.



# FULL FLR WINGBACK BED ASSEMBLY

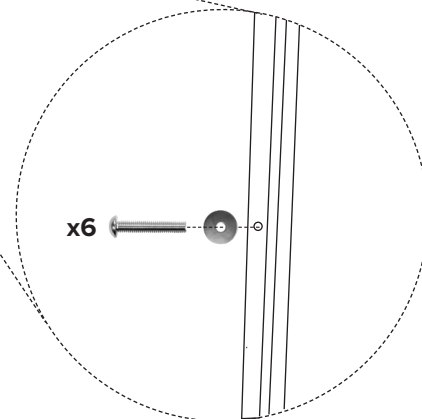
## STEP 6 - ATTACHING THE HEADBOARD WINGS



### 6.1

Attach (J) wing to (I) headboard using (H14) bolts and (H8) washer. Tighten using flat head screwdriver.

*Please note: Make sure the top of the (A) headboard is level with the top of the (C) wings before tightening.*



### LIMITED WARRANTY

Guarantees its upholstered furniture against defects in construction for a period of one (1) year. When a structural defect is brought to our attention, we will repair or replace it at our option at no charge to the customer (includes parts and labor, not transportation costs). Fabric wearability for upholstered furniture is not covered by the warranty. Vacuum for regular cleaning.

PLEASE DISPOSE OF PLASTIC BAG(S) AND CARTON(S) RESPONSIBLY.

### LIMITE DE GARANTIA

Garantiza sus muebles tapizados contra defectos en construcción por un periodo de un (1) año. Cuando un problema de estructura es traído a nuestra atención, nosotros repararemos o remplazaremos sin ningún cargo a nuestro cliente (incluye partes y trabajo, no costo en transportación). Descoloramiento del material de muebles tapizados no es cubierto por la garantía. Regularmente puede aspirar.

POR FAVOR TIRAR BOLSA(S) Y CAJA(S) RESPONSABLEMENTE.

### GARANTIE LIMITÉE

Garantit ses meubles rembourrés contre les défauts de construction pendant une période d'un (1) an. Lorsqu'un vice de construction nous est signalé, nous réparons ou remplaçons le meuble, selon notre choix, sans frais pour le client (incluant les pièces et la main-d'oeuvre, mais excluant les frais de transport). La durabilité du tissu des meubles rembourrés n'est pas couverte par la garantie. Nettoyer régulièrement avec un aspirateur.

VEUILLEZ JETER LE OU LES SAC(S) EN PLASTIQUE ET BOÎTE(S) DE FAÇON RESPONSABLE.

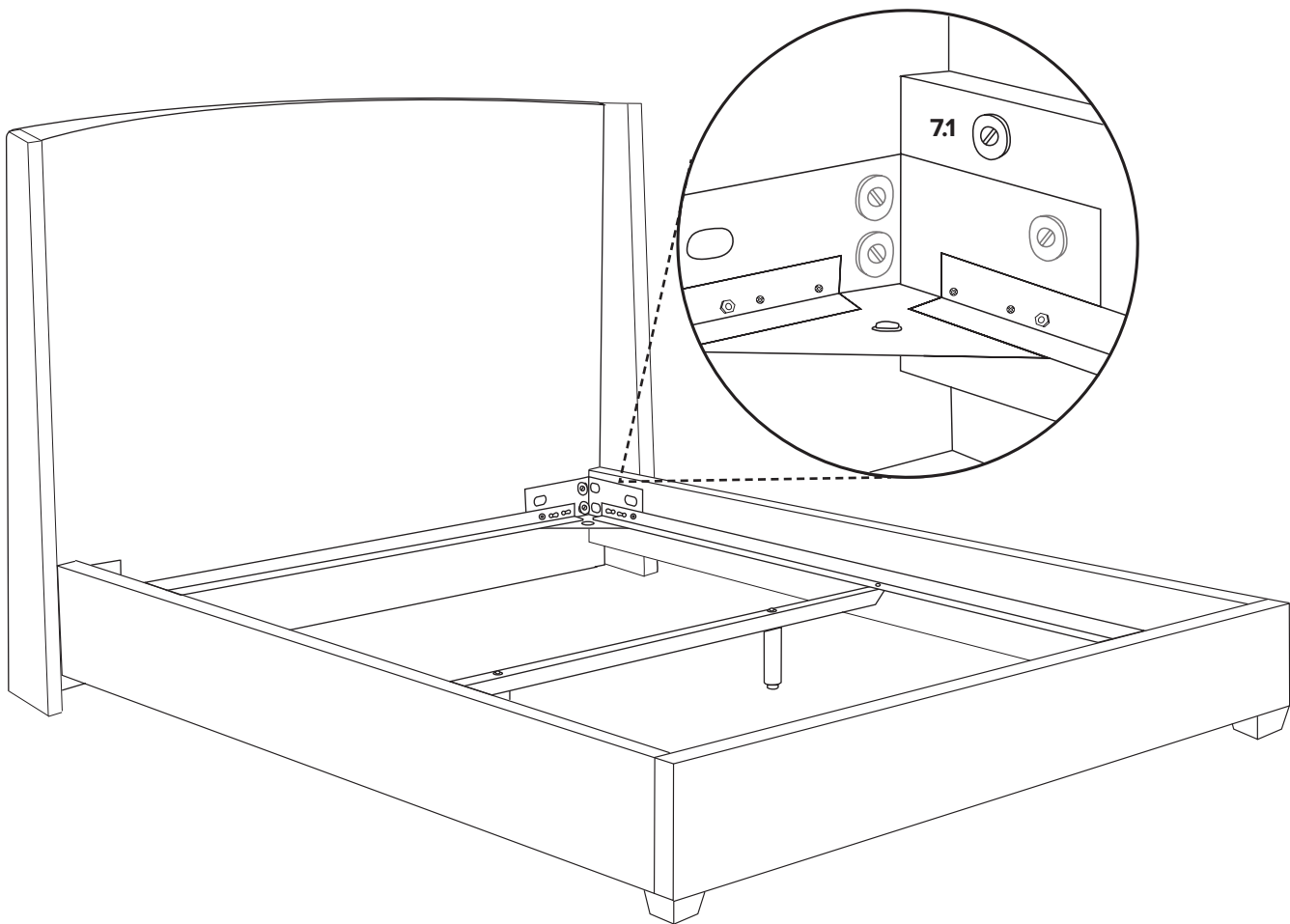
# FULL FLR WINGBACK BED ASSEMBLY

## STEP 7 - ATTACHING THE UPHOLSTERED RAILS TO WINGS

---

### 7.1

Attach (J) headboard wings to assembled bed frame using (H3) bolts and (H8) washers. Tighten using a flat head screwdriver.



# FULL FLR WINGBACK BED ASSEMBLY

## STEP 8 - REINFORCE THE UPHOLSTERED RAILS

---

### 8.1

Attach (G, H) upholstered rails together using (H6) L brackets and (H12) screws as shown below.

*Please note: this requires screwing (H12) directly into the (G, H) upholstered rails.*

