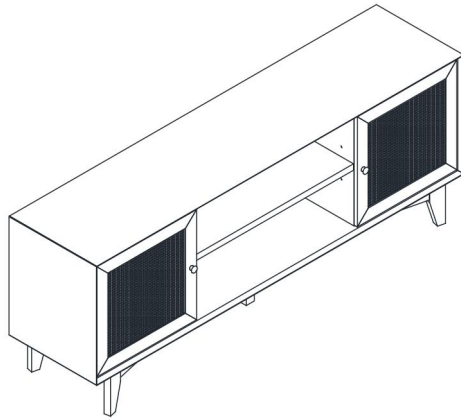


USER MANUAL

We continue to be committed to provide you tools with competitive price.

"Save Half", "Half Price" or any other similar expressions used by us only represents an estimate of savings you might benefit from buying certain tools with us compared to the major top brands and does not necessarily mean to cover all categories of tools offered by us. You are kindly reminded to verify carefully when you are placing an order with us if you are actually saving half in comparison with the top major brands.



This is the original instruction, please read all manual instructions carefully before operating. VEVOR reserves a clear interpretation of our user manual. The appearance of the product shall be subject to the product you received. Please forgive us that we won't inform you again if there are any technology or software updates on our product.

 **WARNING:**

Please read this manual carefully before using the product. Failure to do so may result in serious injury.

ASSEMBLY PRECAUTIONS

1. Assemble only according to these instructions. Improper assembly can create hazards.
2. Wear ANSI-approved safety goggles and heavy-duty work gloves during assembly.
3. Keep the assembly area clean and well-lit.
4. Keep bystanders out of the area during assembly.
5. Do not assemble when tired or when under the influence of alcohol, drugs or medication.
6. The product capabilities apply to properly and completely assembled products only.
7. Assemble on a flat, level, hard and smooth surface capable of safely supporting the Rattan TV Cabinet.
8. For additional information regarding the parts listed in the following pages, please refer to the Assembly Diagram of this manual. Unwrap and separate all parts in a clean work area.

SAVE THESE INSTRUCTIONS

USE PRECAUTIONS

TO PREVENT SERIOUS INJURY AND DEATH FROM TIPPING:

1. This product is not a toy Do not allow children to play with or near this item.
2. Do not exceed weight capacities, before moving.
3. Use only on a flat, level, hard and smooth surface capable of safely supporting a fully loaded Rattan TV Cabinet.
4. Use as intended only.
Inspect before every use; do not use if parts are loose or damaged.

TECHNICAL SPECIFICATIONS

| | | | |
|----------------------------|-----------------|----------------|--|
| | | | |
| Product Dimensions (LxWxH) | 1677*397*636 mm | | |
| Rating(s) | 120V~ 60Hz | 220-240V~ 50Hz | |
| Packing Size(LxWxH) | 1810*540*160mm | | |
| Colour | Walnut color | | |
| Net Weight | About 33.9 kg | | |
| Gross Weight | About 37.15 kg | | |


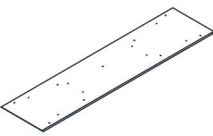
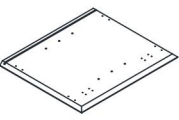
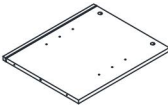
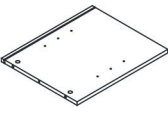
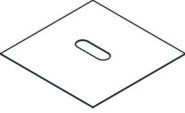
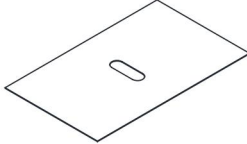

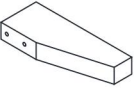
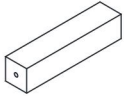
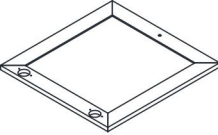
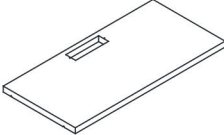
| | | | |
|----------------------------|-----------------|----------------|--|
| | | | |
| Product Dimensions (LxWxH) | 1677*397*636 mm | | |
| Rating(s) | 120V~ 60Hz | 220-240V~ 50Hz | |
| Packing Size(LxWxH) | 1810*540*160mm | | |
| Colour | Oak color | | |
| Net Weight | About 33.9 kg | | |
| Gross Weight | About 37.15 kg | | |

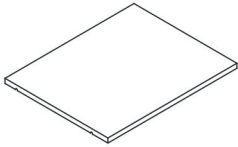
| | | | |
|----------------------------|-----------------|----------------|--|
| | | | |
| Product Dimensions (LxWxH) | 1677*397*636 mm | | |
| Rating(s) | 120V~ 60Hz | 220-240V~ 50Hz | |
| Packing Size(LxWxH) | 1810*540*160mm | | |
| Colour | Black | | |
| Net Weight | About 33.9 kg | | |
| Gross Weight | About 37.15 kg | | |


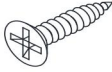
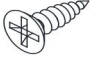
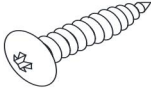

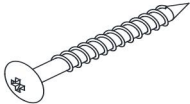





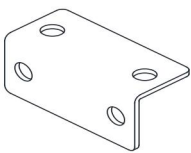
| | | | |
|----------------------------|-----------------|----------------|--|
| | | | |
| Product Dimensions (LxWxH) | 1677*397*636 mm | | |
| Rating(s) | 120V~ 60Hz | 220-240V~ 50Hz | |
| Packing Size(LxWxH) | 1810*540*160mm | | |
| Colour | White | | |
| Net Weight | About 33.9 kg | | |
| Gross Weight | About 37.15 kg | | |

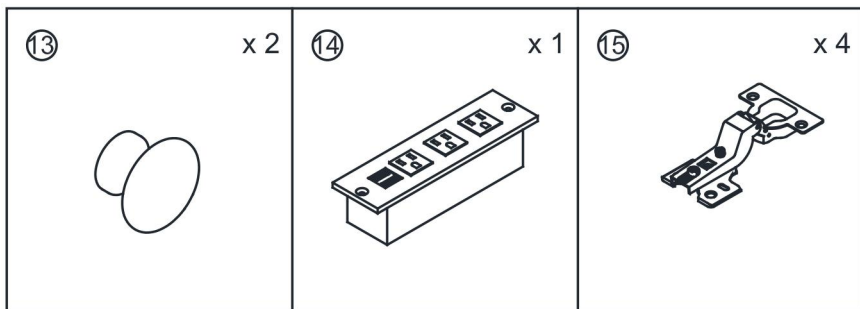
*Products such as specifications, appearance, and design are subject to modification without prior notice.

PACKAGE CONTENTS

| | | |
|--------------------------------------------------------------------------------------------------|--------------------------------------------------------------------------------------------------|--------------------------------------------------------------------------------------------------|
| <p>Ⓐ x 1</p>  | <p>Ⓑ x 1</p>  | <p>Ⓒ x 2</p>  |
| <p>Ⓓ x 1</p>  | <p>Ⓔ x 1</p>  | <p>Ⓕ x 2</p>  |
| <p>Ⓖ x 1</p>  | <p>Ⓖ x 2</p>  | <p>Ⓖ x 4</p>  |
| <p>Ⓙ x 1</p>  | <p>Ⓚ x 2</p>  | <p>Ⓛ x 1</p>  |

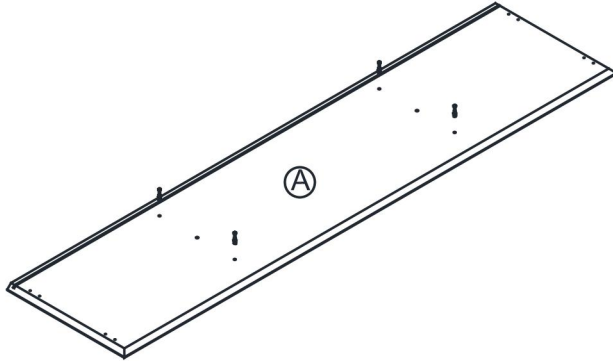
| | | |
|------------------------------------------------------------------------------------------------|--|--|
| <p>Ⓜ x 2</p>  | | |
|------------------------------------------------------------------------------------------------|--|--|

| | | |
|--------------------------------------------------------------------------------------------------|--------------------------------------------------------------------------------------------------|---------------------------------------------------------------------------------------------------|
| <p>① x 32</p>  | <p>② x 2</p>  | <p>③ x 24</p>  |
| <p>④ x 2</p>  | <p>⑤ x 4</p>  | <p>⑥ x 8</p>  |
| <p>⑦ x 4</p>  | <p>⑧ x 4</p>  | <p>⑨ x 12</p>  |
| <p>⑩ x 8</p>  | <p>⑪ x 1</p>  | <p>⑫ x 8</p>  |

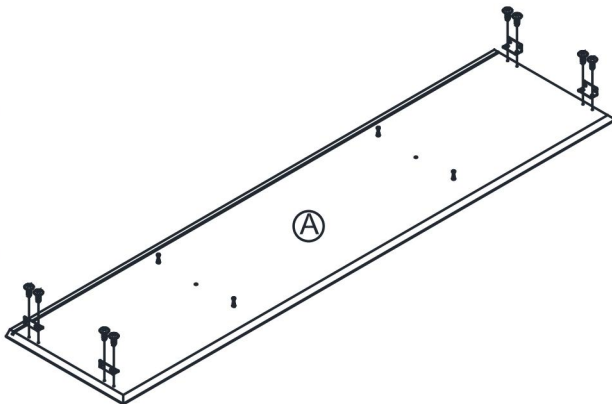


ASSEMBLY STEPS

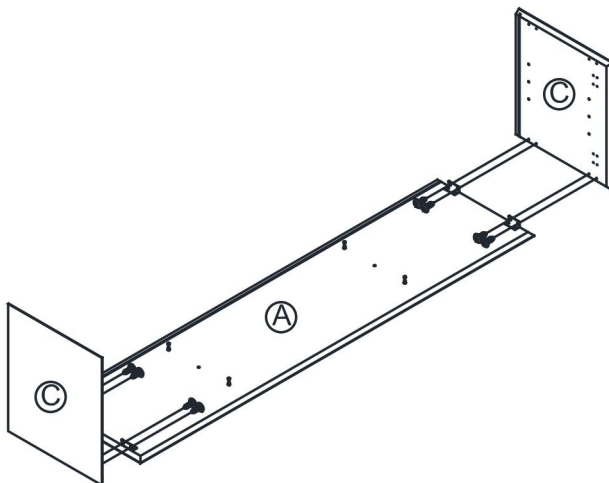
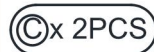
STEP1 :



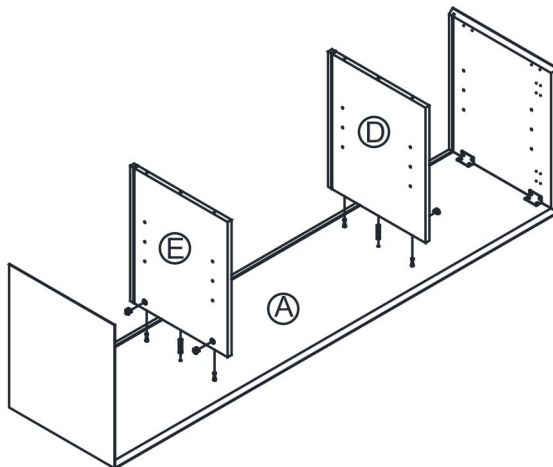
STEP2 :



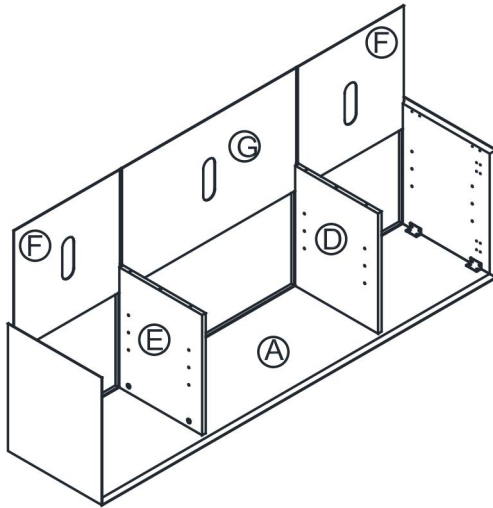
STEP3 :



STEP4 :



STEP5 :



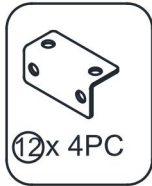
(F) x 2PCS

(G) x 1PC

STEP6 :

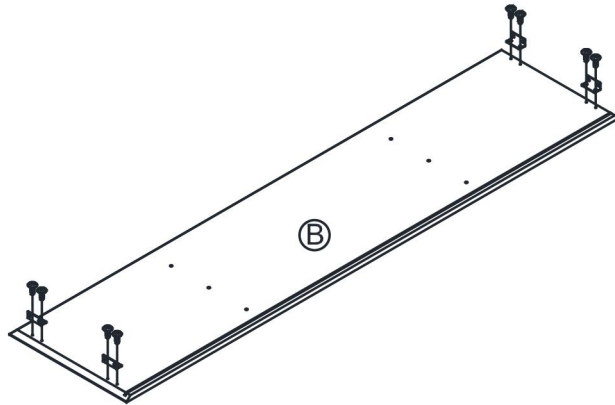


(1) x 8PC

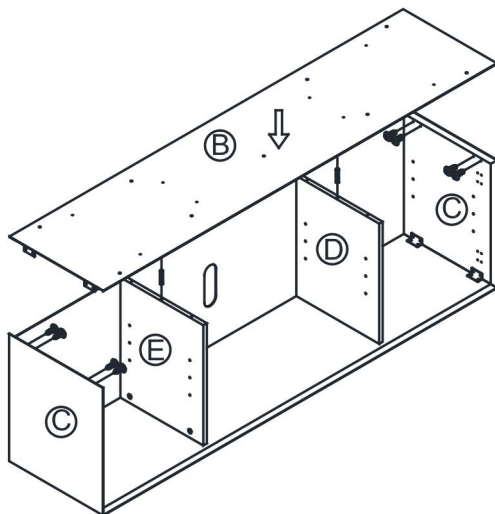


(12) x 4PC

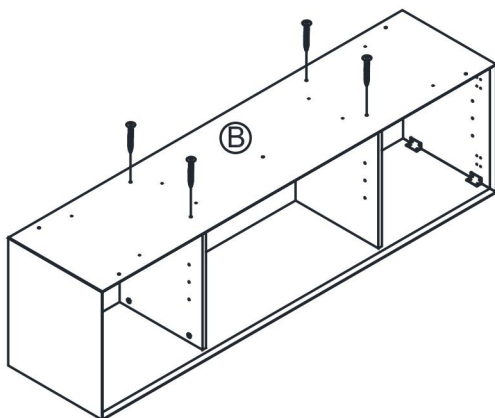
(B) x 1PC



STEP7 :



STEP8 :



STEP9 :



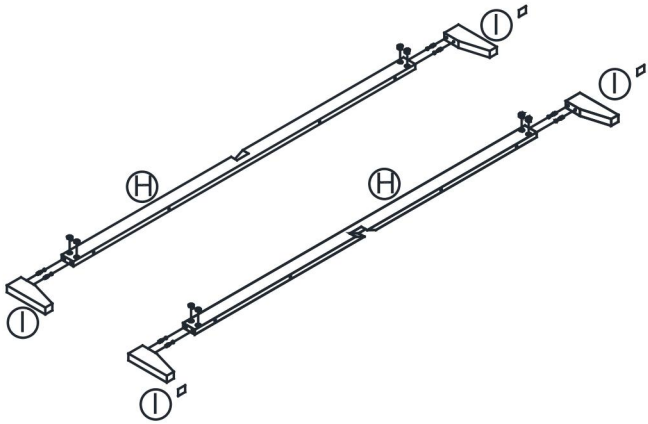
⑦x 8PCS



⑧x 8PCS

⑨x 2PCS

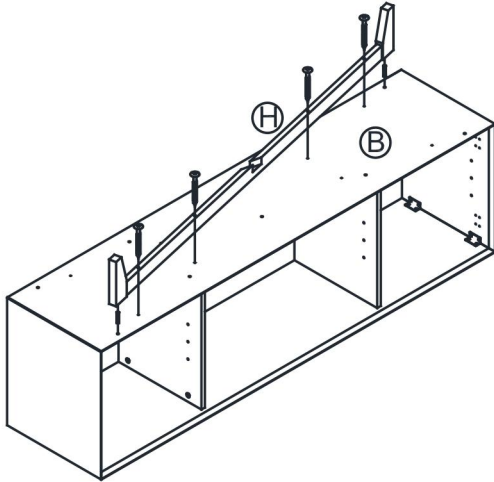
⑩x 4PCS



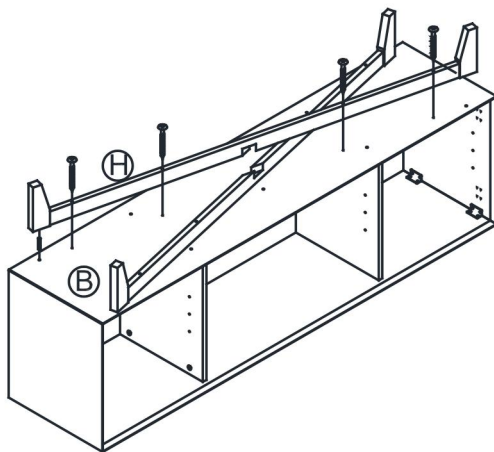
STEP10 :



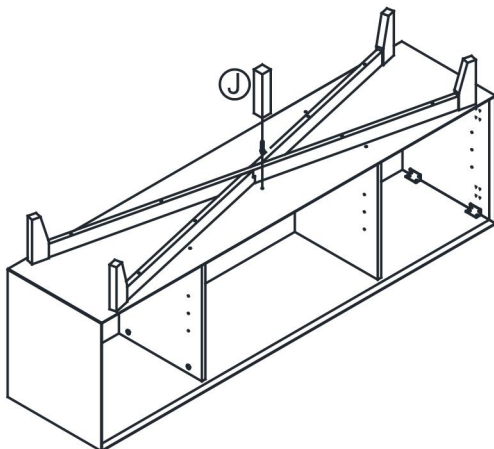
⑥x 4PCS



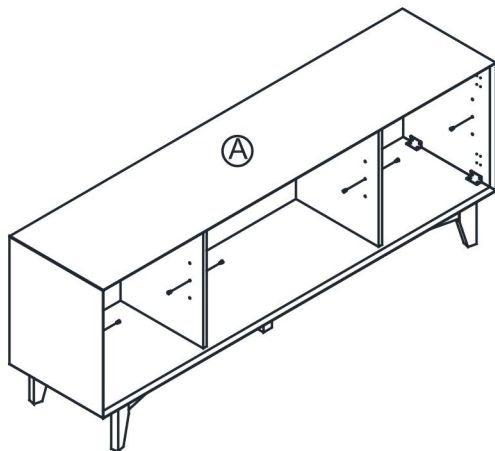
STEP11 :



STEP12 :



STEP13 :

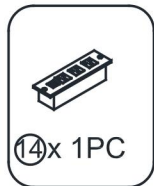


⑨x 12PCS

STEP14 :



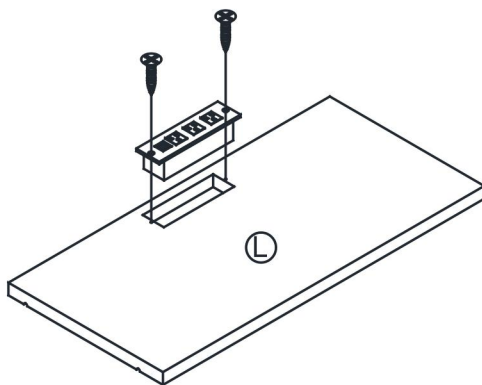
②x 2PCS



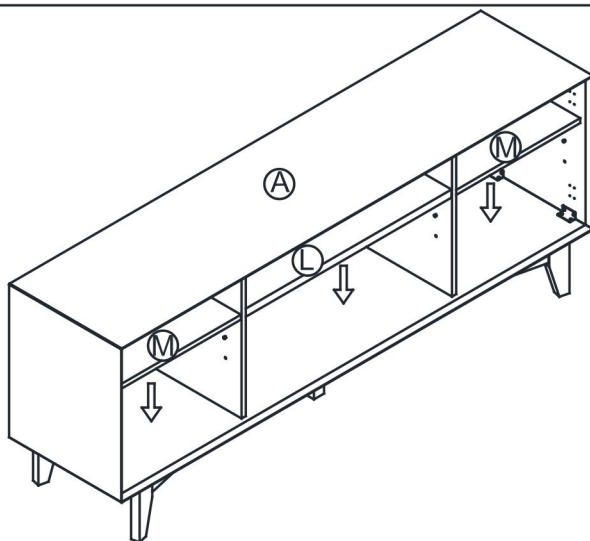
⑭x 1PC



①x 1PC



STEP15 :



(M) x 2PCS

STEP16 :



③ x 8PCS



④ x 2PCS

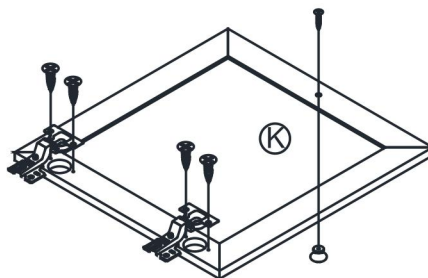


⑬ x 2PCS



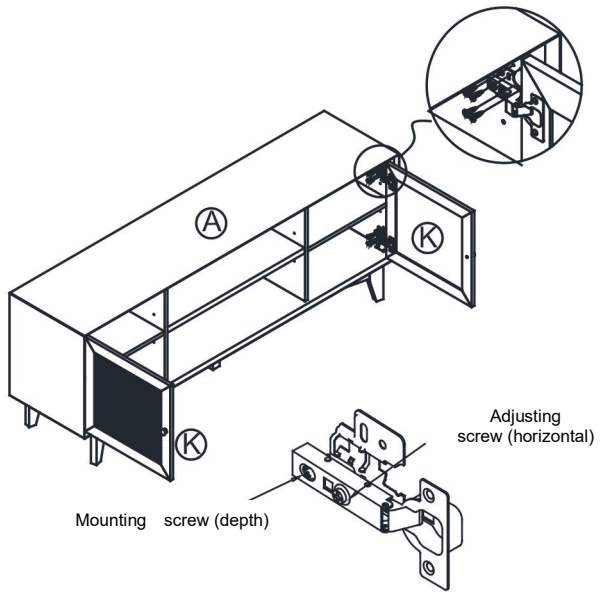
⑮ x 4PCS

(K) x 2PCS

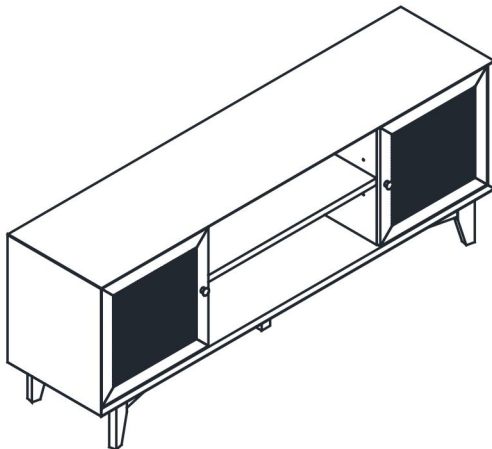


X 2

STEP17:



STEP18 :



COMPLETION

