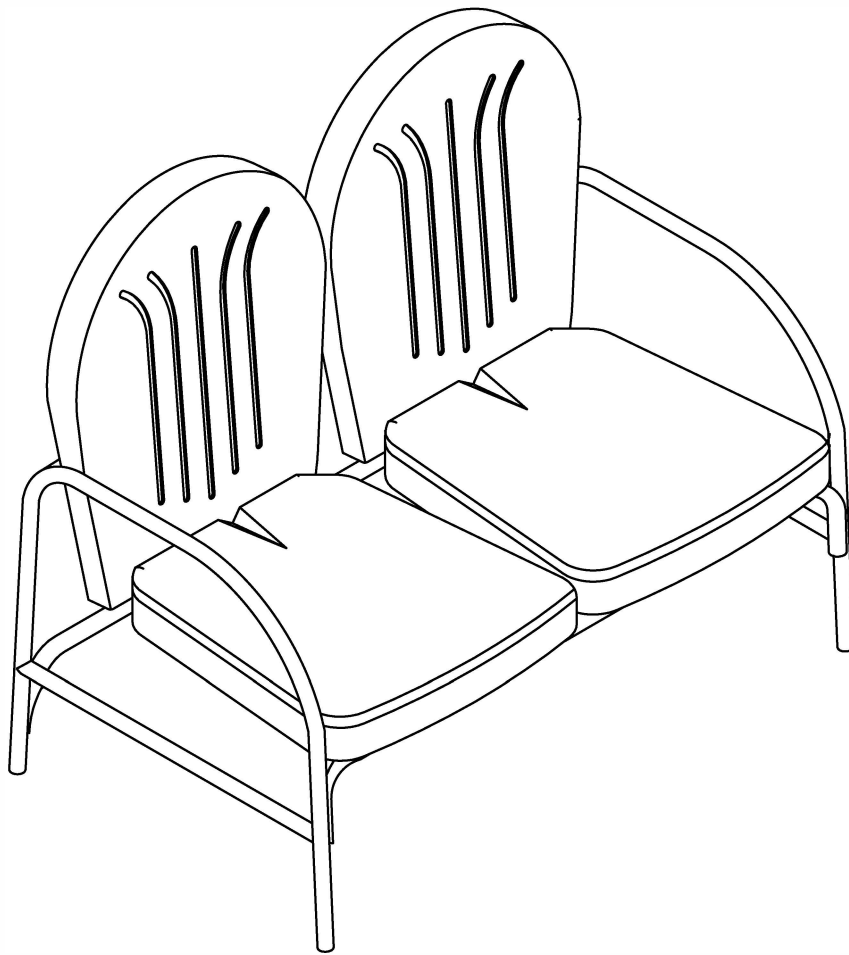
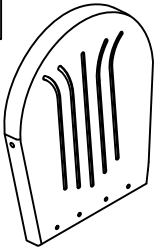
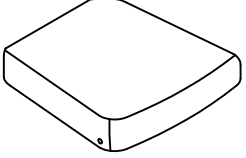
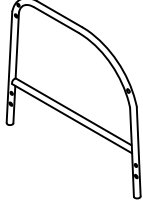
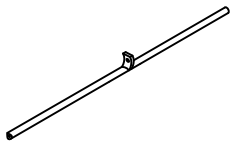
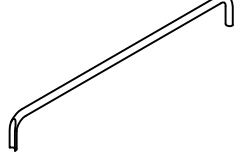







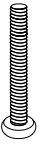


METAL LOVESEAT



PART LIST

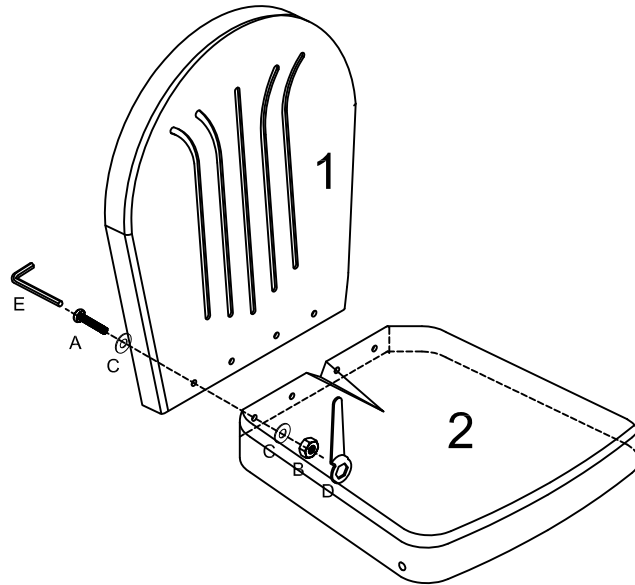
<div style="border: 1px solid black; padding: 2px; width: 20px; float: left; margin-right: 5px;">1</div> 	<div style="border: 1px solid black; padding: 2px; width: 20px; float: left; margin-right: 5px;">2</div> 	<div style="border: 1px solid black; padding: 2px; width: 20px; float: left; margin-right: 5px;">3</div> 	<div style="border: 1px solid black; padding: 2px; width: 20px; float: left; margin-right: 5px;">4</div> 	<div style="border: 1px solid black; padding: 2px; width: 20px; float: left; margin-right: 5px;">5</div> 
<p>Chair Back</p> <p>2 PCS</p>	<p>Chair Seat Base</p> <p>2 PCS</p>	<p>Arm</p> <p>2 PCS</p>	<p>Upper Crossbar</p> <p>1 PC</p>	<p>Lower Crossbar</p> <p>2 PCS</p>






HARDWARE LIST

<div style="border: 1px solid black; padding: 2px; width: 20px; float: left; margin-right: 5px;">A</div> 	<div style="border: 1px solid black; padding: 2px; width: 20px; float: left; margin-right: 5px;">B</div> 	<div style="border: 1px solid black; padding: 2px; width: 20px; float: left; margin-right: 5px;">C</div> 	<div style="border: 1px solid black; padding: 2px; width: 20px; float: left; margin-right: 5px;">D</div> 
<p>Short Bolts(M6*13mm)</p> <p>10 PCS</p>	<p>Nuts</p> <p>22 PCS</p>	<p>Flat Washers</p> <p>32 PCS</p>	<p>Wrench</p> <p>1 PC</p>
<div style="border: 1px solid black; padding: 2px; width: 20px; float: left; margin-right: 5px;">E</div> 	<div style="border: 1px solid black; padding: 2px; width: 20px; float: left; margin-right: 5px;">F</div> 	<div style="border: 1px solid black; padding: 2px; width: 20px; float: left; margin-right: 5px;">G</div> 	<div style="border: 1px solid black; padding: 2px; width: 20px; float: left; margin-right: 5px;">H</div> 
<p>Allen Wrench</p> <p>1 PC</p>	<p>Long Bolts(M6*40mm)</p> <p>14 PCS</p>	<p>Plastic Washers</p> <p>4 PCS</p>	<p>Round Plastic Washer</p> <p>14 PCS</p>

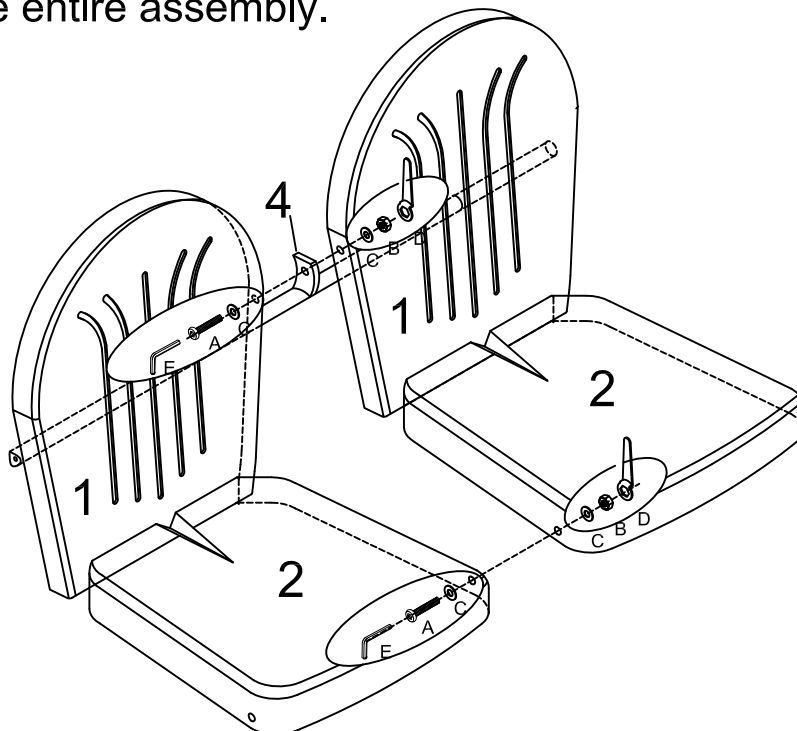
IMPORTANT NOTE: WE RECOMMEND TWO PEOPLE WORK TOGETHER TO ASSEMBLE THE CHAIR






STEP 1 Attach the Seat (2) and Back (1) using 4 Short Bolts (A), 8 Flat Washers (C) and 4 Nuts (B). Do not tighten until after you have completed the entire assembly process. Repeat for remaining seat and back.



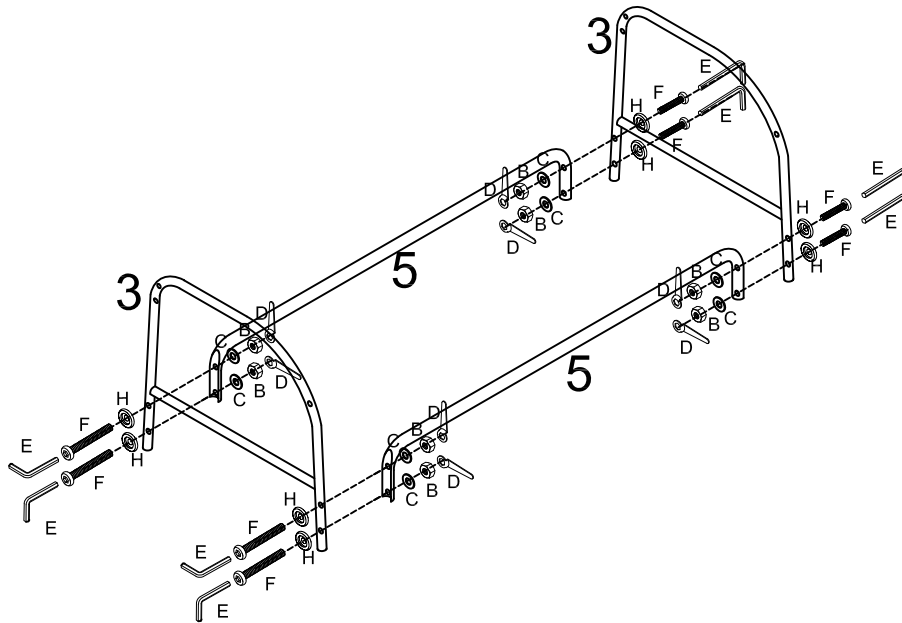
-  8PCS
-  8PCS
-  16PCS
-  1PC
-  1PC

STEP 2 Join the two backs (1) by attaching them to the Upper Crossbar (4) by using 1 Short Bolt (A), 2 Flat Washers (C) and 1 Nut (B). Join the two seats (2) by using 1 Short Bolt (A), 2 Flat Washers (C) and 1 Nuts (B). Do not tighten until after you have completed the entire assembly.



-  2PCS
-  2PCS
-  4PCS
-  1PC
-  1PC

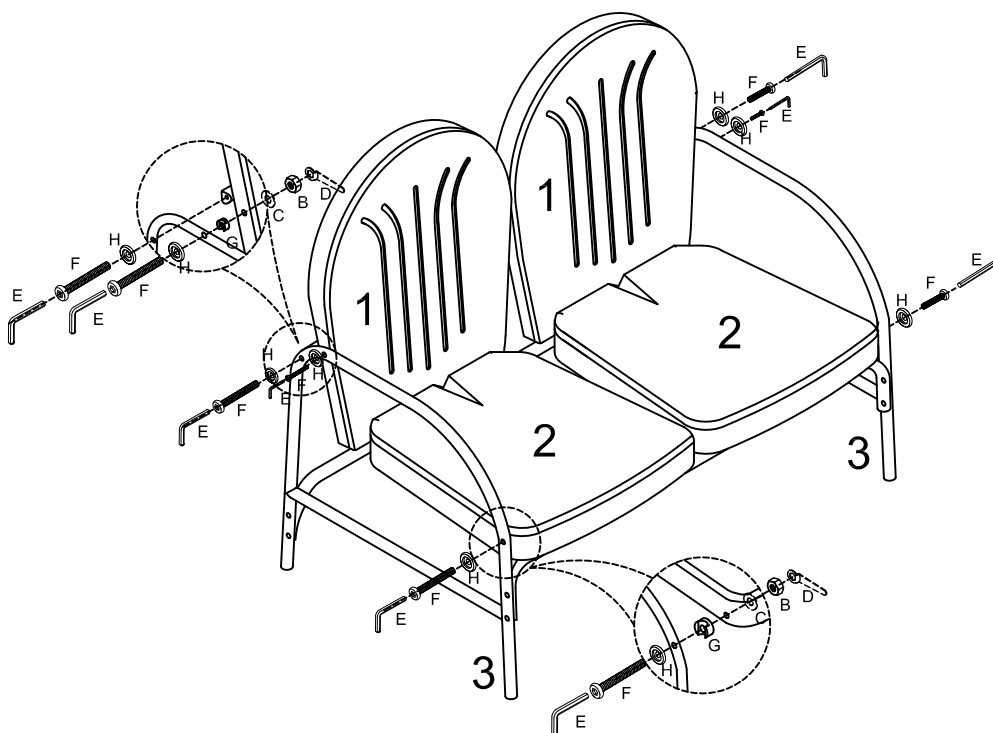
STEP 3 Attach the 2 Arms (3) to the 2 Lower Crossbars (5) using 8 Long Bolts (F), 8 Round Plastic Washer (H) and 8 Flat Washers (C) and 8 Nuts (B). Do not tighten until after you have completed the entire assembly process.



- 8PCS
- 8PCS
- 8PCS
- 1PC
- 1PC
- 8PCS

STEP 4 Attach Upper Back Crossbar (4) to Arms (3) using 2 Long Bolts (F), 2 Round Plastic Washer (H). Attach Chair Backs (1) and Seats (2) to Arms (3) using 4 Long Bolts (F), 4 Flat Washers (C) and 4 Round Plastic Washer (H), 4 Plastic Washers (G) and 4 Nuts (B). Do not tighten until after you have completed the entire assembly process.

Once assembly has been completed, tighten all Nuts using the Wrench (D) to hold the Nuts (B) and tighten with the Allen Wrench (E) to firmly secure the loveseat.



- 6PCS
- 4PCS
- 4PCS
- 4PCS
- 1PC
- 1PC
- 6PCS