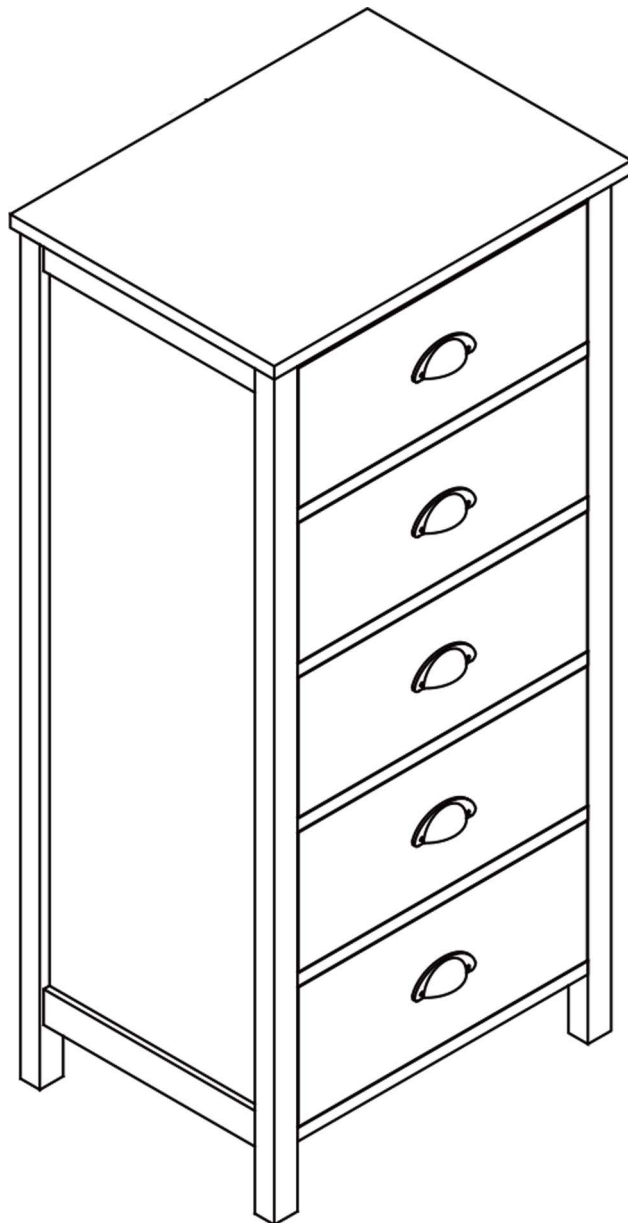


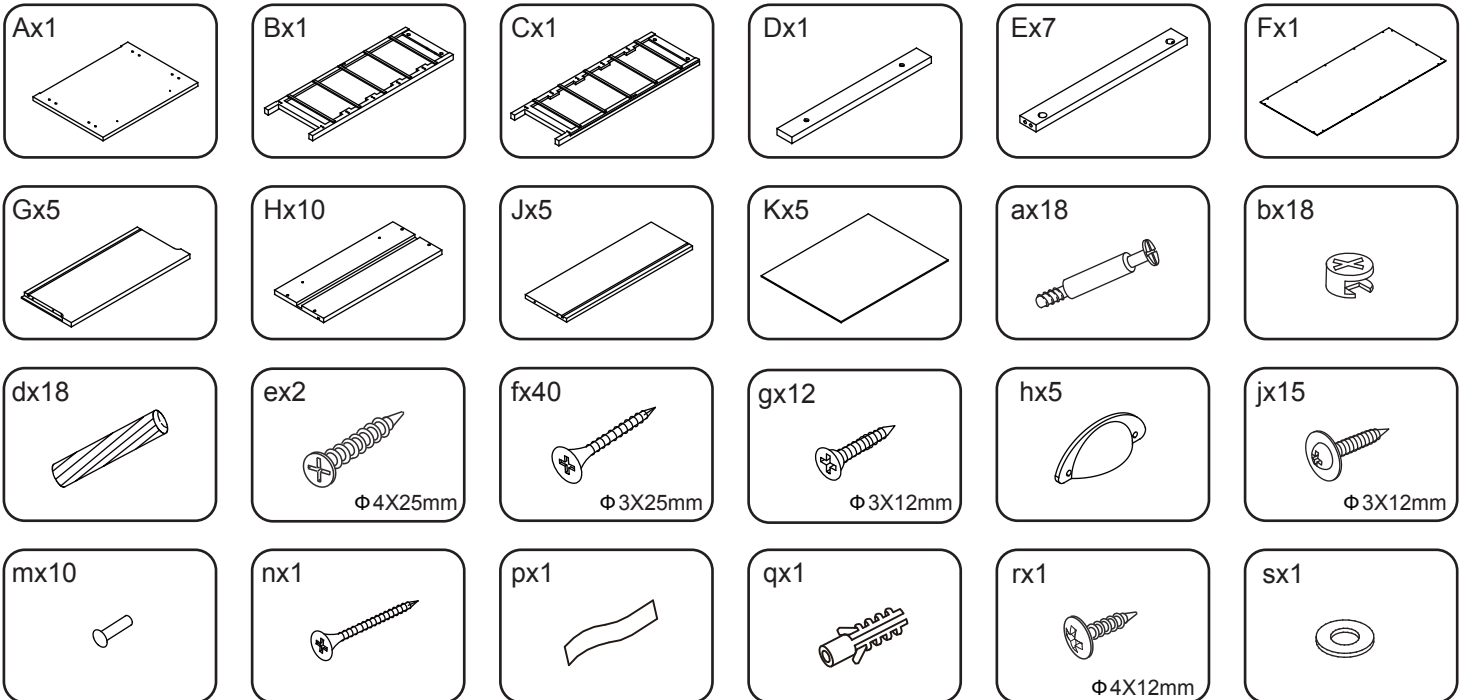
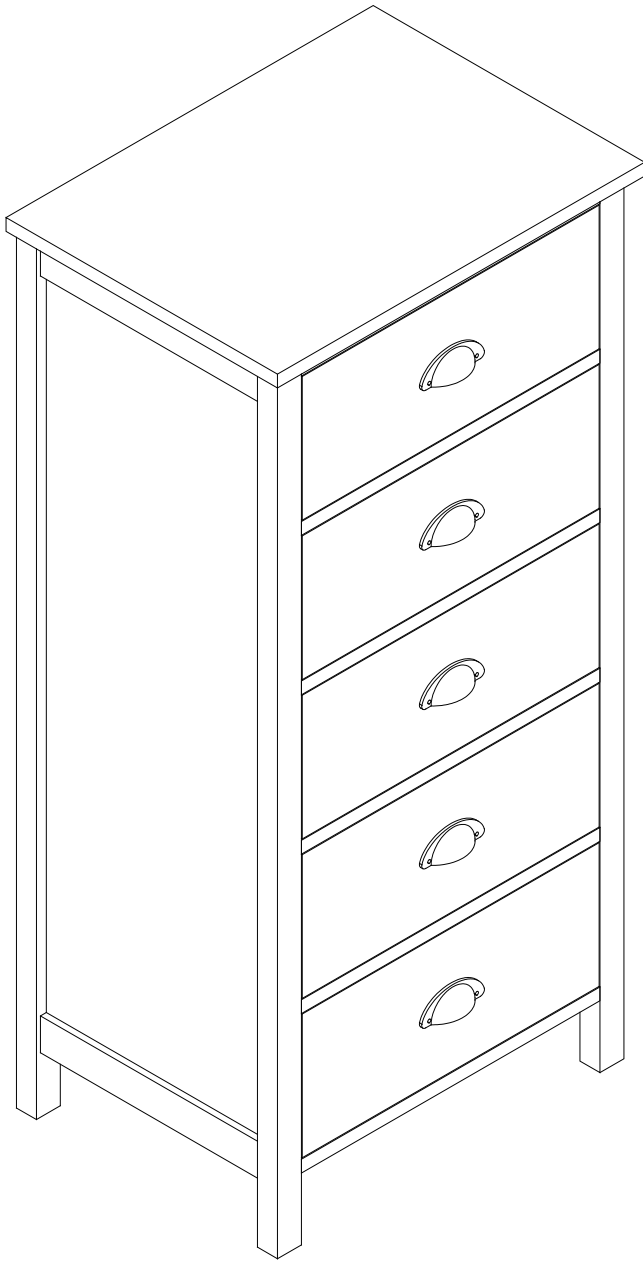
831-156



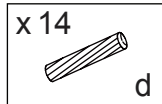
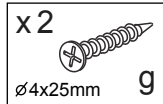
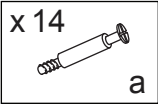
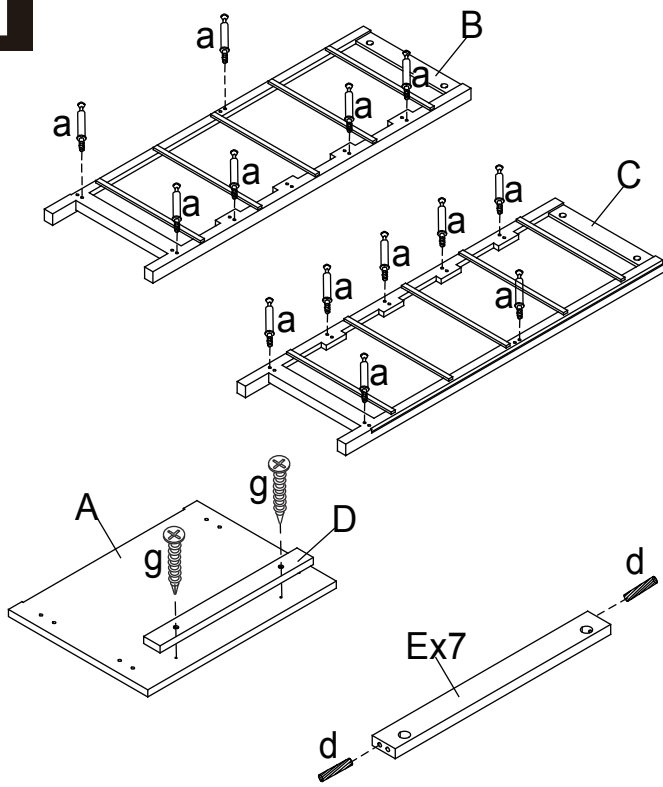
Please read these instructions and warranty information carefully before use and keep them properly for future reference.

OPERATING INSTRUCTIONS

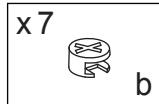
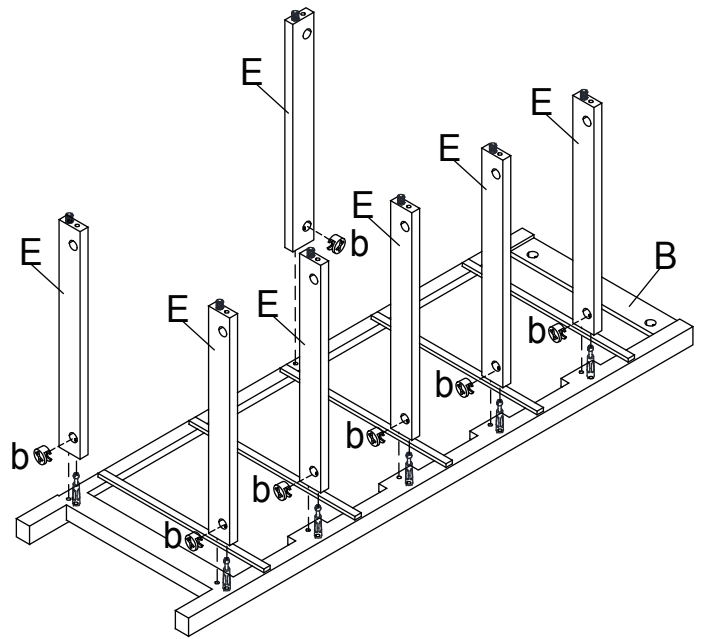
# ASSEMBLY INSTRUCTION



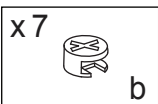
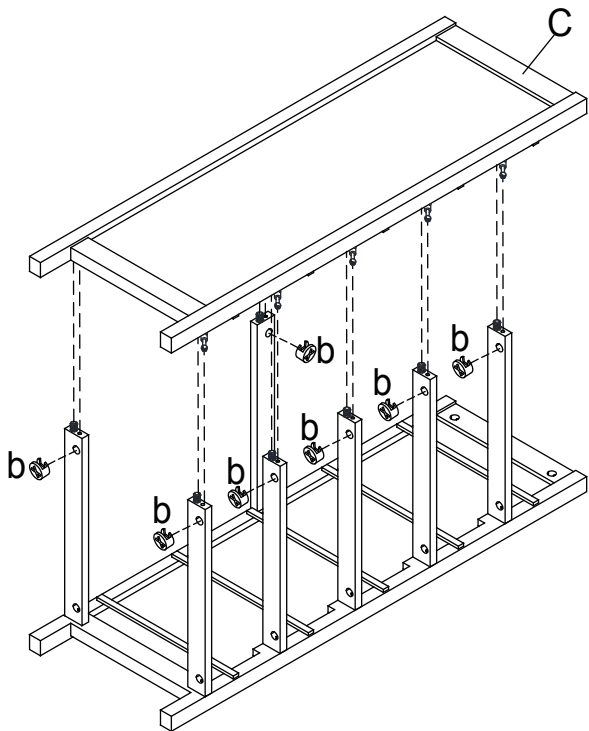
1



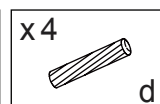
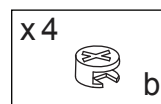
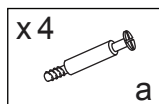
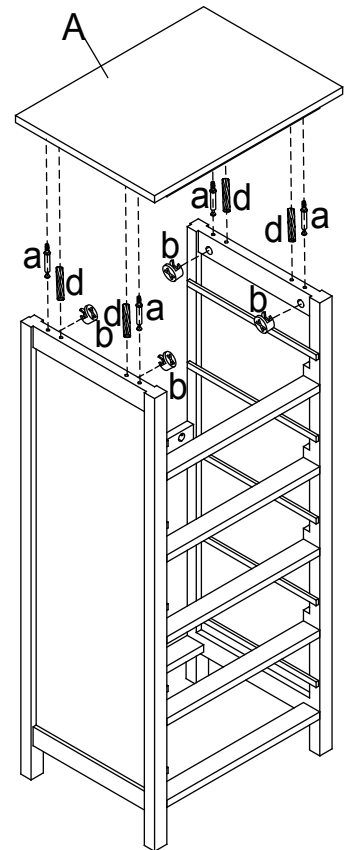
2

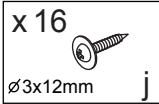
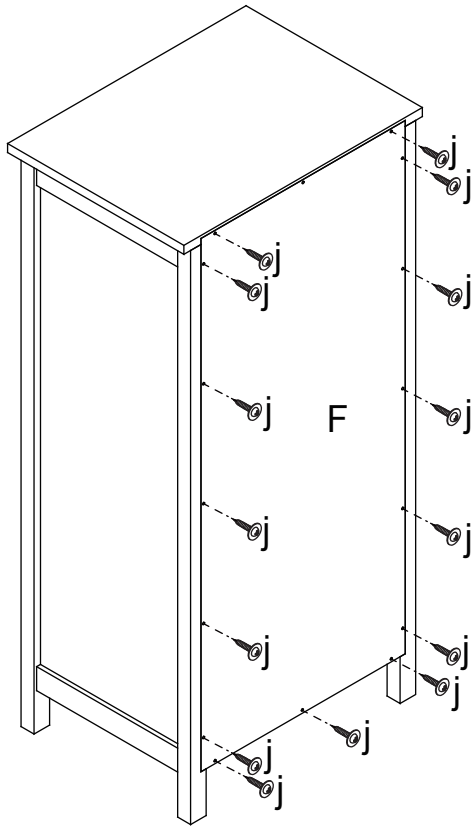
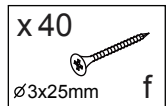
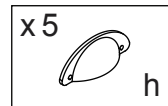
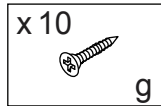
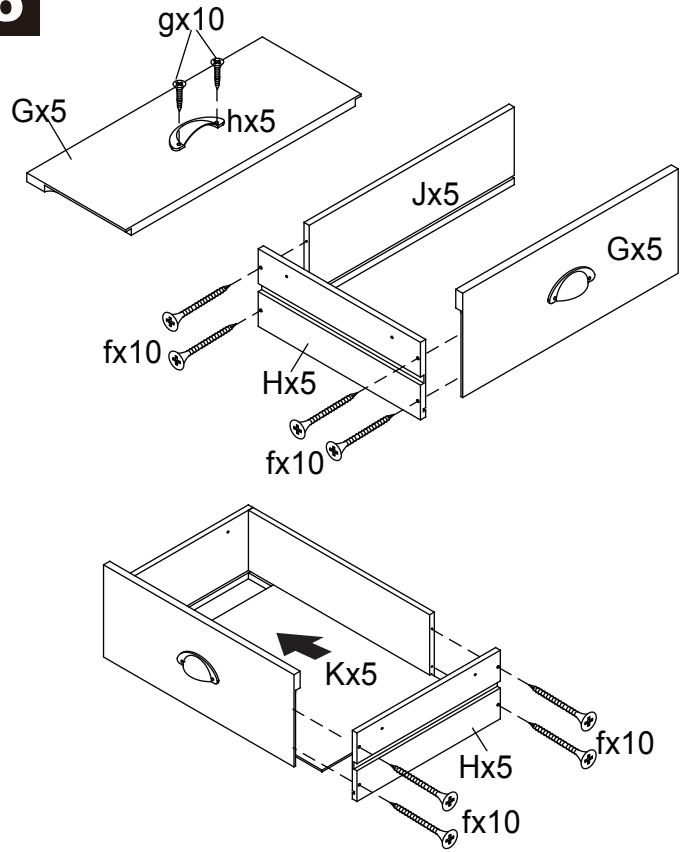
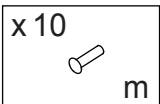
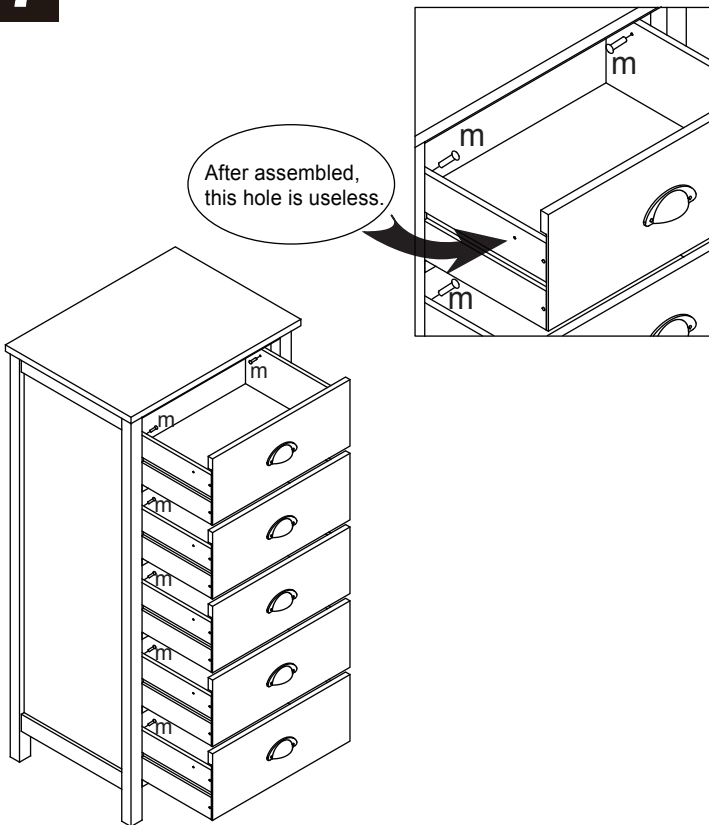


3



4



**5****6****7****8**