

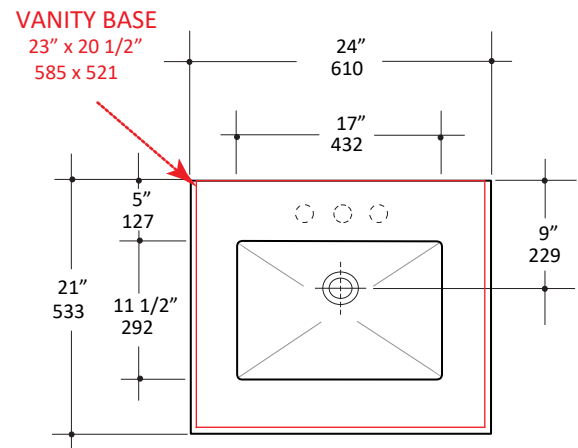
Specifications:

Installation:	Vanity-top		
Interior Dimensions:	17" w x 11 1/2" d x 3 1/2" h		
Exterior Dimensions:	24" w x 21" d x 5 3/8" h		
Material:	Concrete		
Weight:	54 lbs		
Overflow:	No		
Finishes:	SLT - Slate	MOS - Moss	MAH - Matcha
	CHL - Charcoal	LIL - Lilac	AQA - Aqua
	SND - Sand	CLY - Clay	GAL - Galaxy
	TER - Terracotta	SUN - Sun	BRK - Brick
Faucet Holes:	00 - no hole		BST - Basalto
	01 - one centered hole		
	02 - two hole - center and right, 4" spread		
	03 - three hole, 8" spread		
Vanity Base Size:	23" x 20 1/2" (template available upon request)		
Faucet Hole Size:	Ø 1 3/8"		
Drain Hole Size:	Ø 1 3/4"		



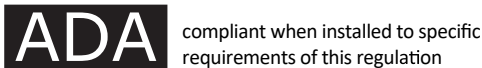
Features:

- Concrete sink without overflow
- Current cut-out template can be requested
- Size can be customized upon request (conditions apply)
- Vanity bases should allow for a 1/2" overhang on front and both sides to compensate for dimensional variations of the sink top.



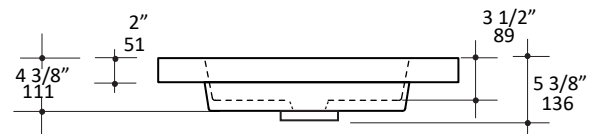
Codes + Standards:

- Meets and exceeds applicable national codes and standards



Recommended Items:

- Drain options
 - 7100-13
 - 7100-15
- Vanity options: NTR-UN-24, KUB-W-24, KUB-W-24B, LRS-F-24, LRS-F-24B, STL-F-24, STL-F-24B, STL-W-24, STL-W-24B



Care + Maintenance:

- Due to the nature of concrete material, please do not overtighten the drain and other hardware as it may cause the sink to chip or crack

[Click Here](#) to find out more about proper care and maintenance of concrete

LACAVA reserves the right to revise any dimension or information on this sheet without notice. Dimensions are nominal and may vary within an industry accepted tolerance of 1/4". Drawings provided herein are meant to give the user an idea of the product and are not made to scale. Revised: 4/16/2025