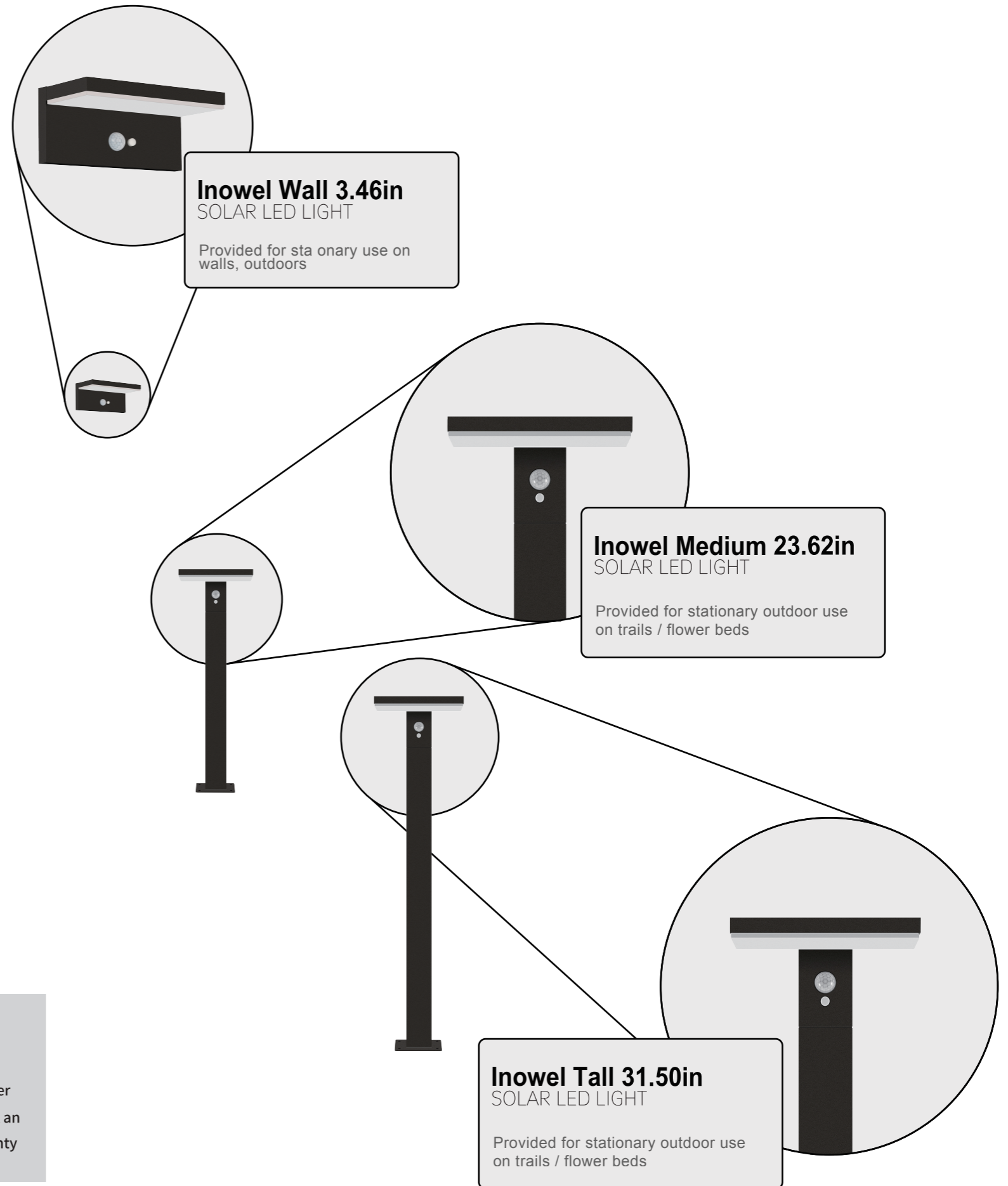


DESIGN FOR SIMPLE LIFE !  
DESIGN FOR SIMPLE LIFE !  
DESIGN FOR SIMPLE LIFE !



**Inowel Wall 3.46in**  
SOLAR LED LIGHT  
Provided for stationary use on walls, outdoors

**Inowel Medium 23.62in**  
SOLAR LED LIGHT  
Provided for stationary outdoor use on trails / flower beds

**Inowel Tall 31.50in**  
SOLAR LED LIGHT  
Provided for stationary outdoor use on trails / flower beds



**Inowel Lighting Inc**  
16803 Ventura Blvd  
Suit #360, Encino  
CA 91436  
info@inowel.com  
www.inowel.com



Scan the QR code and register on our official website to get an additional 12 months warranty



[www.inowel.com/services](http://www.inowel.com/services)

# Inowel

## Instructions

### WARRANTY PERIOD AND CONDITIONS

We devote special attention to selecting high-quality materials and use manufacturing techniques that enable us to create designer and durable product ranges.

That is why we offer a 2-year warranty against product manufacturing defects for the LED component in this product.

The warranty covers product breakdowns and malfunctions under the condition that the product is used in accordance with its intended use and subject to installation and maintenance in accordance with good practice and the information contained in the user's manual.

This contractual warranty does not cover defects and damage caused by the natural wear of parts, bad weather, flooding, heat releases, freezing, damage caused by water quality (hardness, aggressiveness, corrosion, etc.) by the presence of foreign bodies transported by water otherwise (sand, filings, etc.) or the lack of room ventilation, and damages that could be the consequence of improper use, misuse, negligence, accident or maintenance that is defective or does not comply with good practice or the information in the user's manual.

The following are also excluded from the warranty: harmful consequences due to the use of accessories and/or non-original equipment manufacturer or improper replacement parts, disassembly or product modification.


### SAFETY

These instructions are for your safety. Please read through them thoroughly prior to installation and retain them for future reference.


Always refer to the installation drawing for the orientation of the product.

The operating time depends on the charging performance in daytime. This would be affected by environment e.g. weather condition and location.

### TECHNICAL DATA

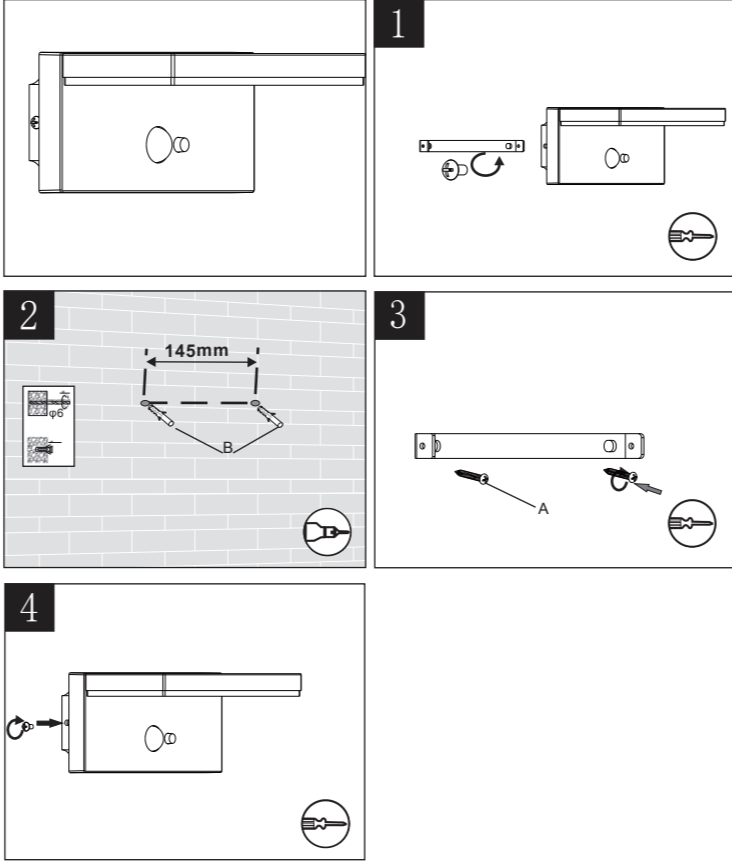
Bulb Type	The light source of this luminaire is not replaceable; when the light source reaches its end of life the whole luminaire shall be replaced.
CE	Conformity with all relevant CE Directive requirements.
IP54	Splash-proof and dust resistant.
	Waste electrical products should not be disposed of with household waste. Please recycle where facilities exist. Check with your Local Authority or local store for recycling advice.


## Installation steps

**S17329** 

**A**  
M4\*32Expansion bolt  
Qty. 2

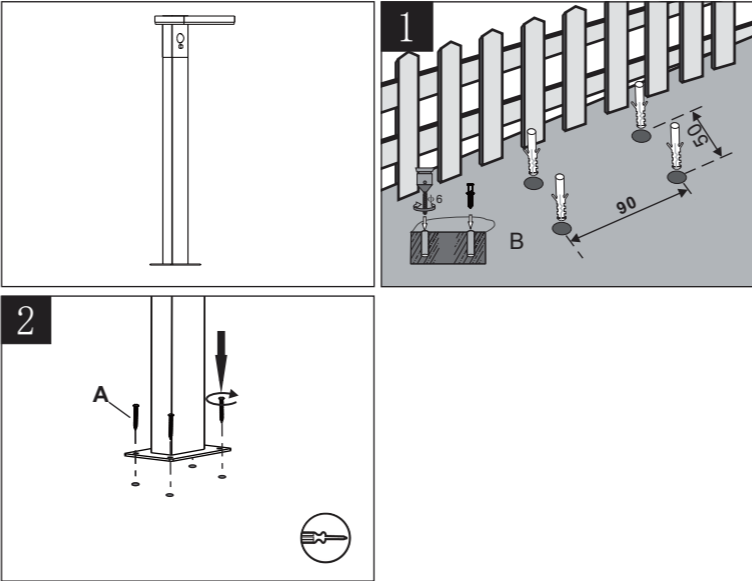
**B**  
Φ 6\*30Expansion pipe  
Qty. 2



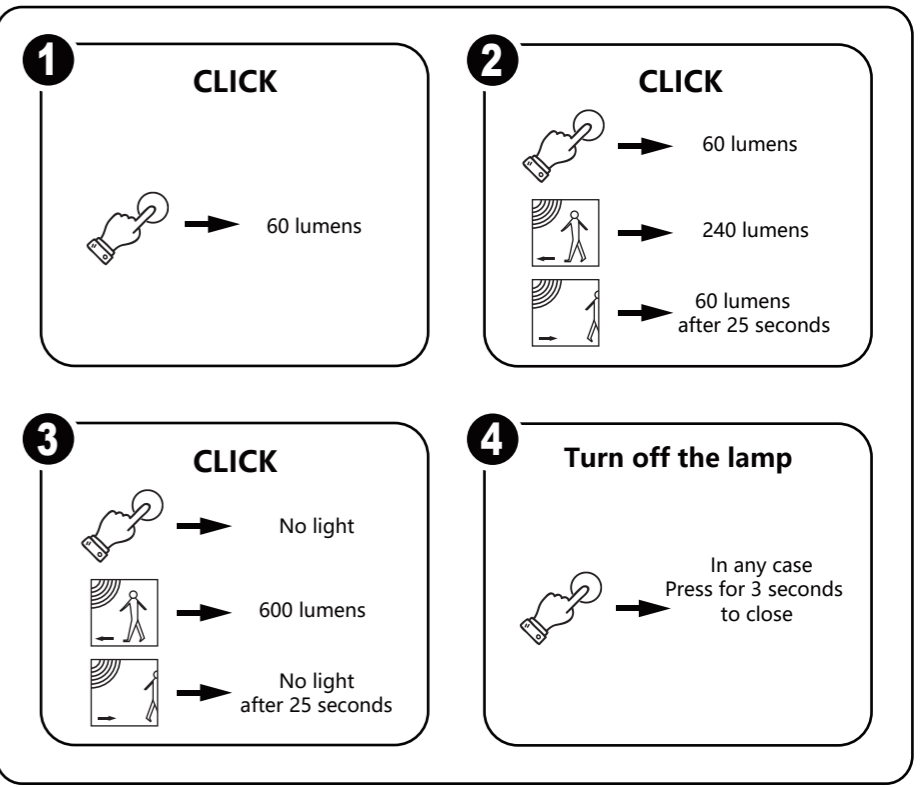
**17330-x** 

**A**  
M4\*40Expansion bolt  
Qty. 4

**B**  
Φ 6\*30Expansion pipe  
Qty. 4



## Mode conversion



**1** CLICK  
60 lumens

**2** CLICK  
60 lumens  
240 lumens  
60 lumens after 25 seconds

**3** CLICK  
No light  
600 lumens  
No light after 25 seconds

**4** Turn off the lamp  
In any case Press for 3 seconds to close