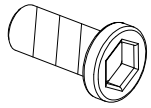
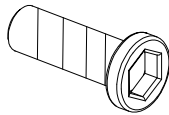


A X2



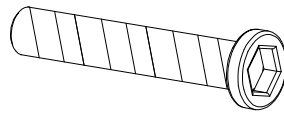
1/4"X15MM

B X4



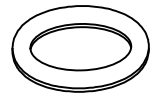
1/4"X25MM

C X4



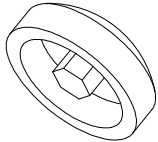
1/4"X70MM

D X10

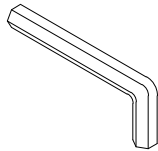


Ø14MM

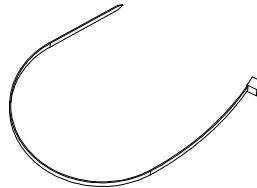
E X10



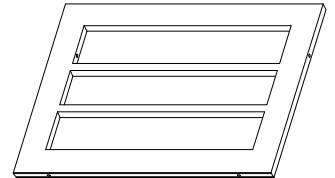
F X1



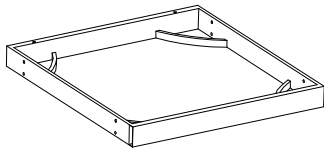
G X4



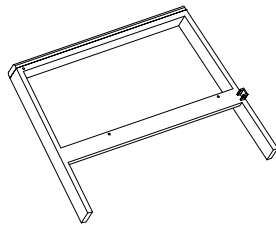
H X1



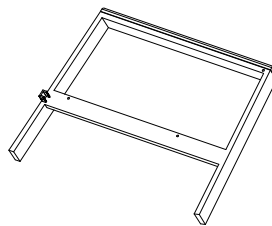
I X1



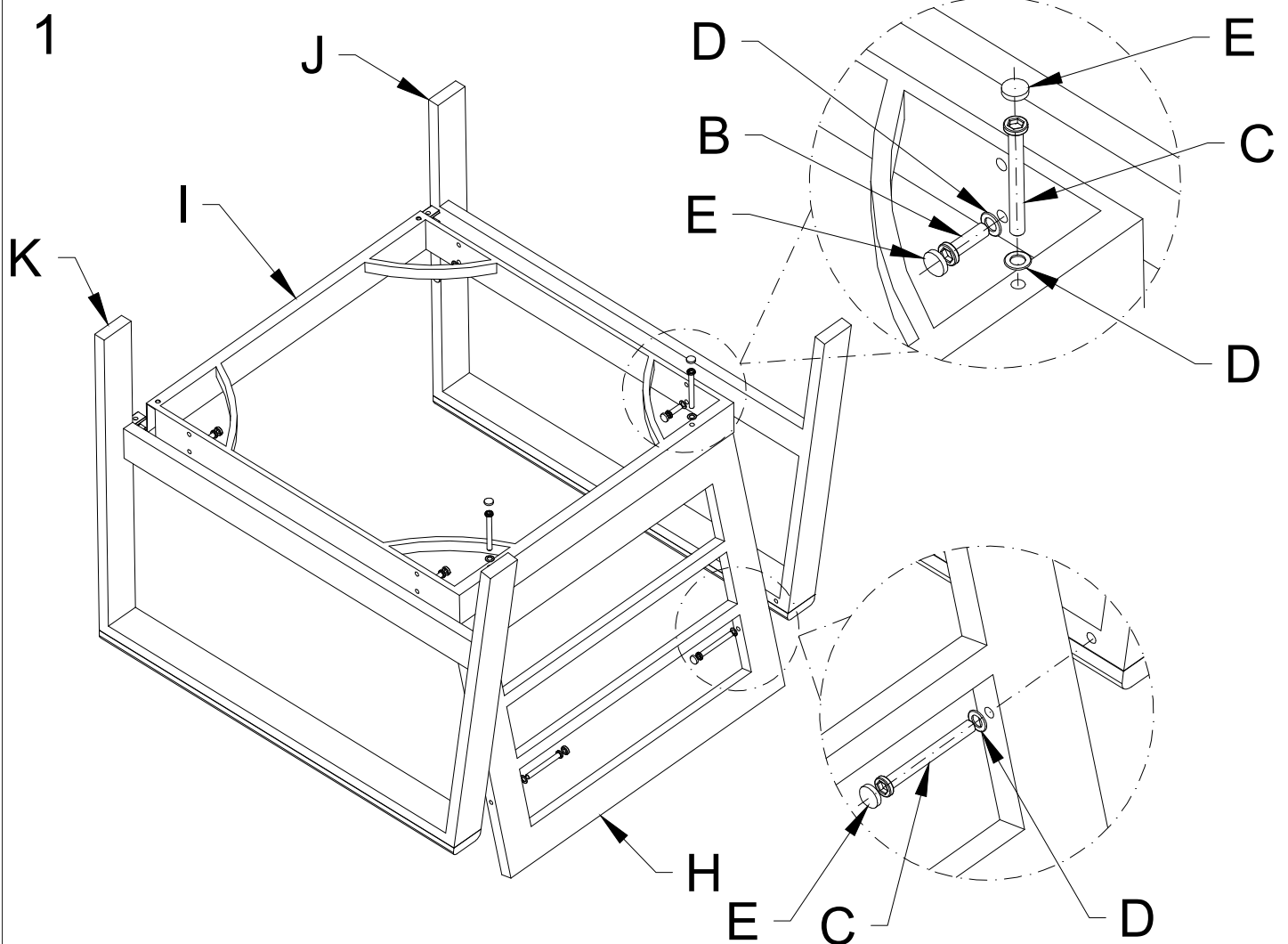
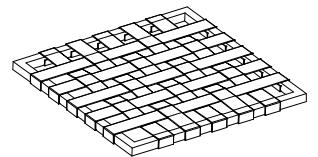
J X1



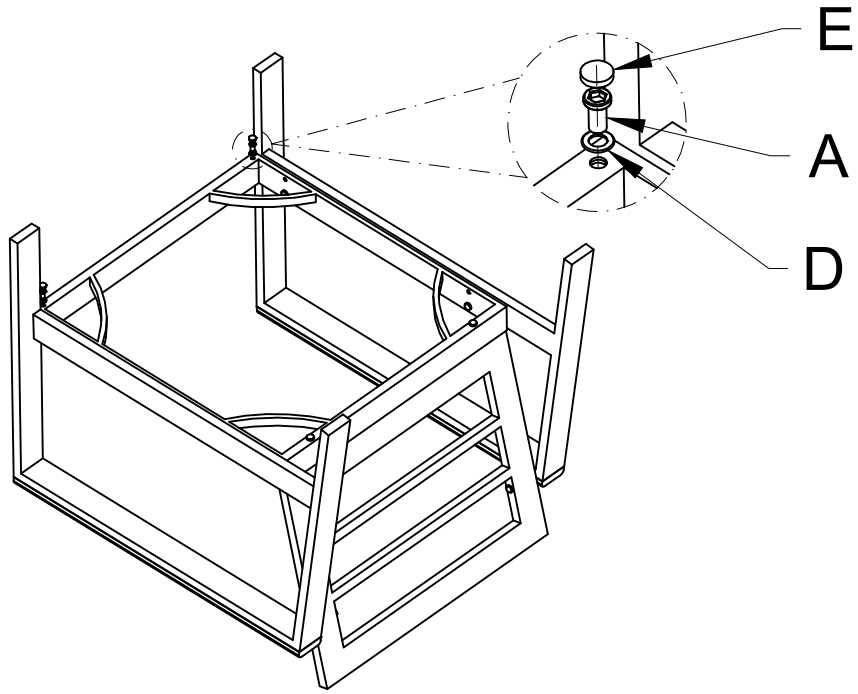
K X1



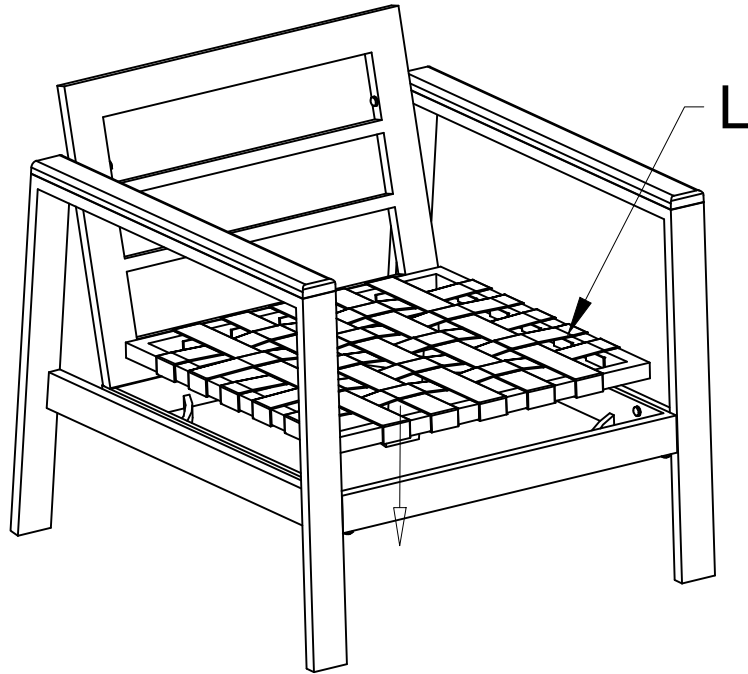
L X1



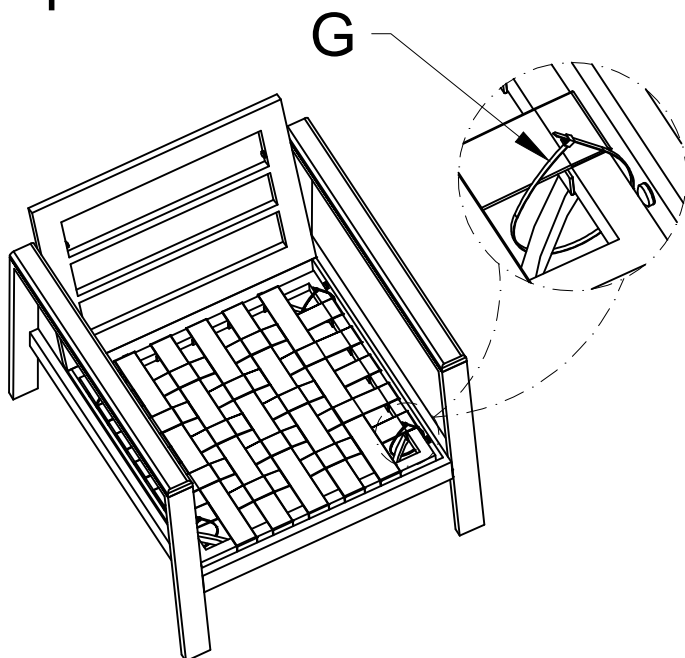
2



3



4



5

