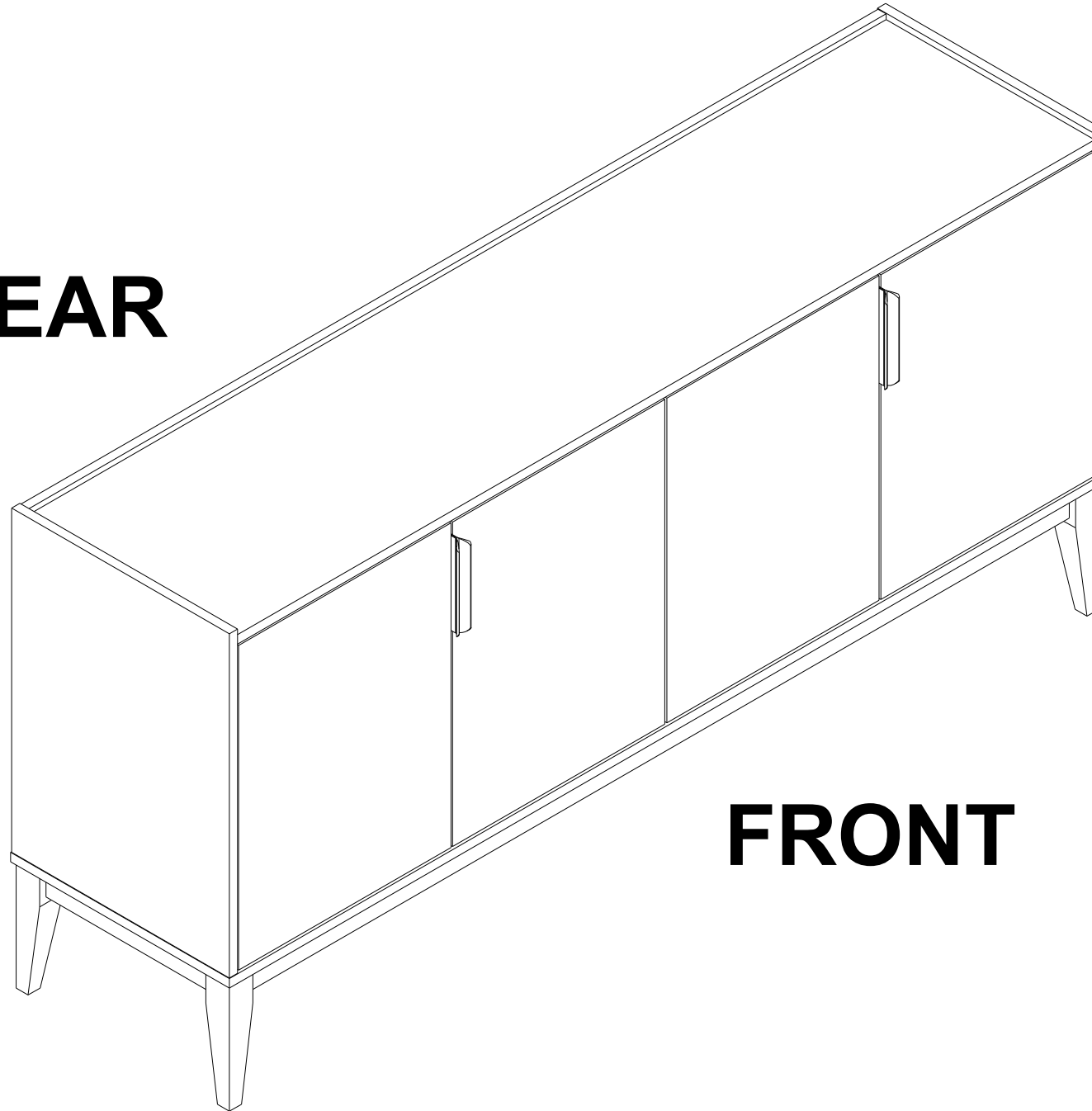
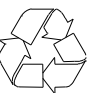
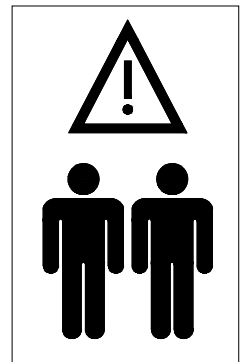


# ASSEMBLY INSTRUCTION

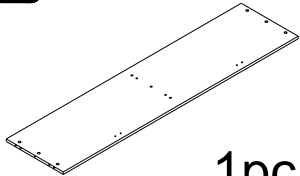
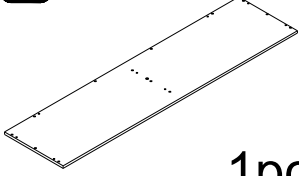
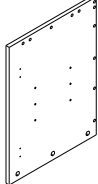
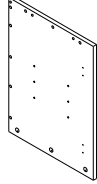
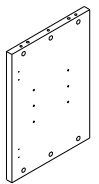
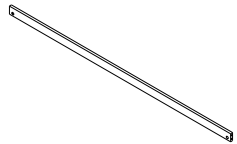
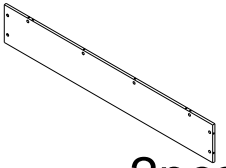
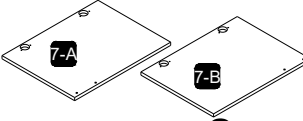
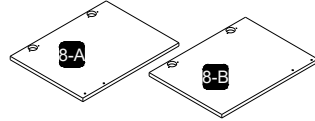
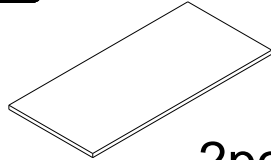
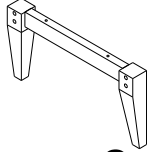
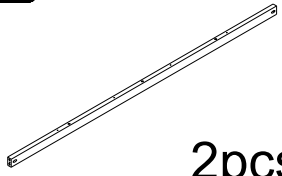

**REAR**



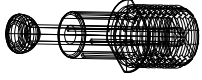



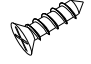
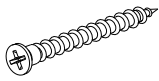
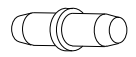
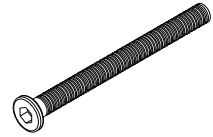
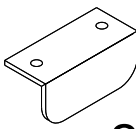
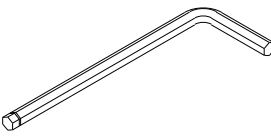
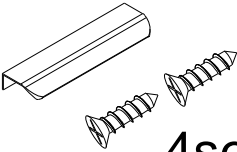

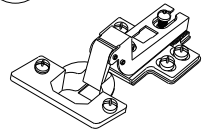
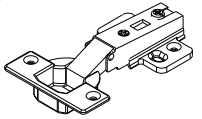
**FRONT**



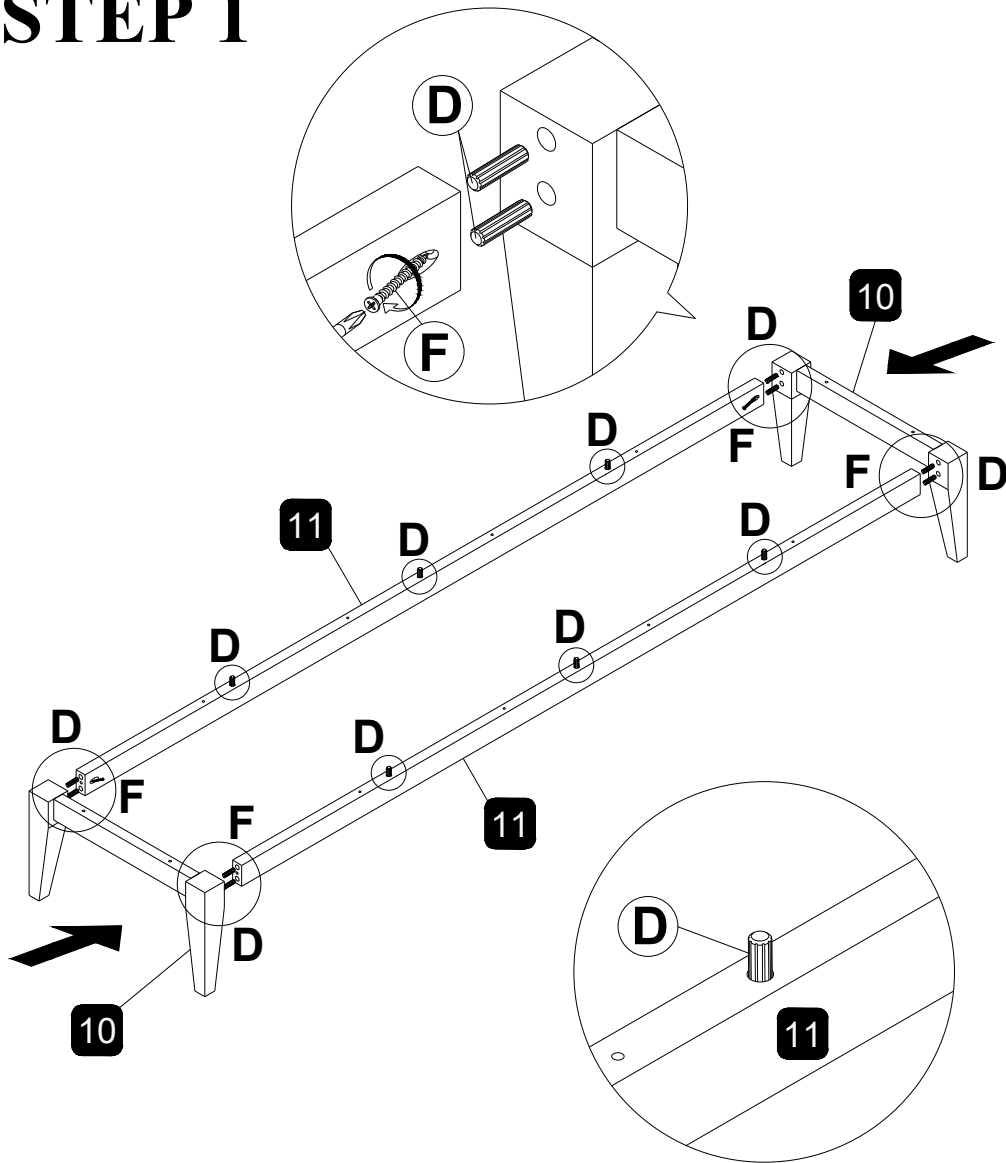
# PART LIST

<b>1</b> Top panel  1pc	<b>2</b> Bottom panel  1pc	<b>3-L</b> Side Panel(left)  1pc	<b>3-R</b> Side Panel(right)  1pc	<b>4</b> Division  1pc	<b>5</b> Back Rail  1pc
<b>6</b> Back Panel  2pcs	<b>7</b> Door(Side)  2pcs	<b>8</b> Door(Center)  2pcs	<b>9</b> Shelf Panel  2pcs	<b>10</b> Frame post  2pcs	<b>11</b> Frame Rail  2pcs
<b>12</b> Center post  1pc					

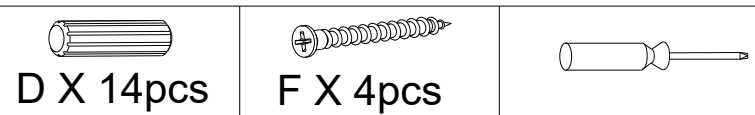
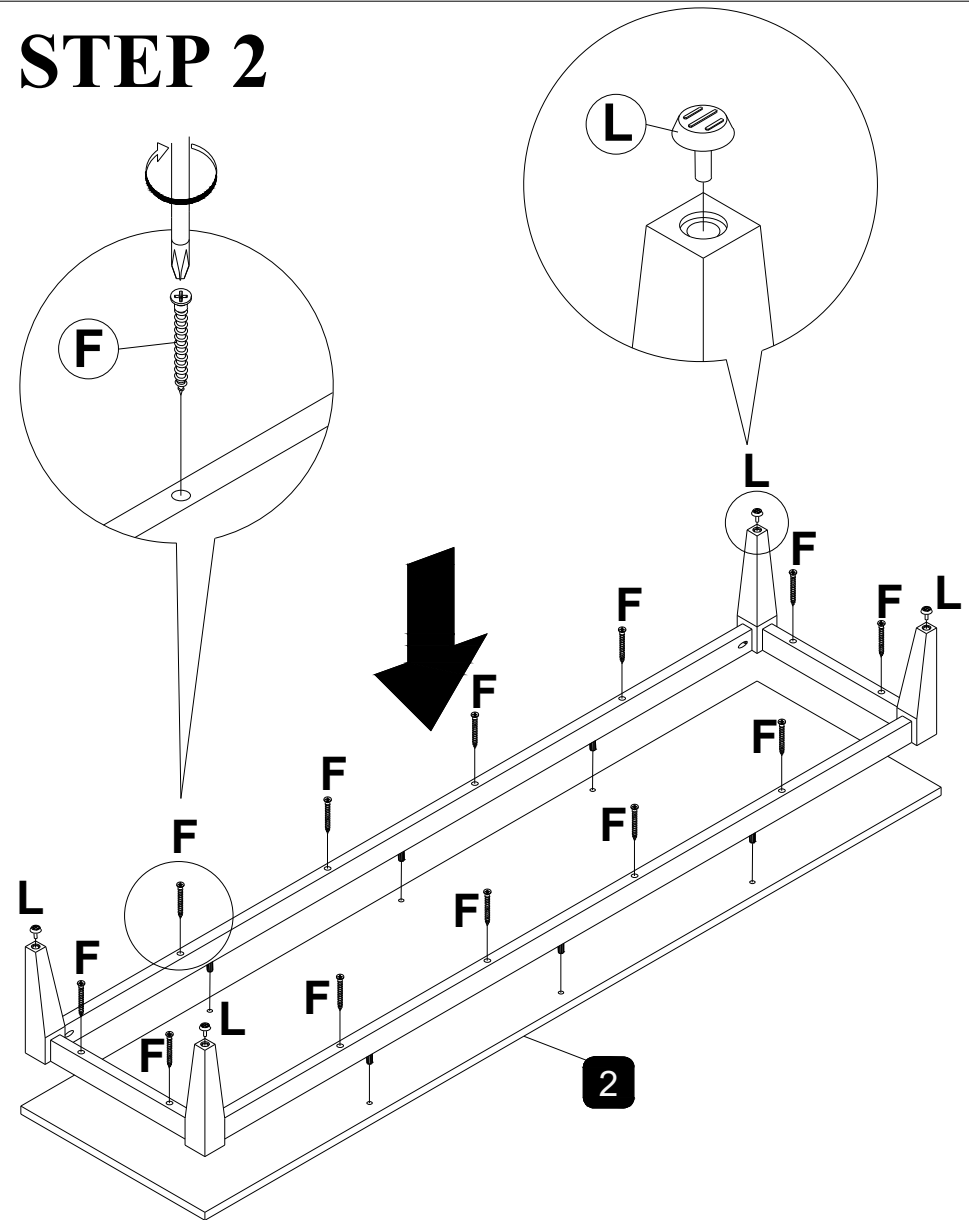
# HARDWARE LIST

<p><b>A</b> MINI FIX SPREADING BOLT 24MM</p>  <p>36pcs</p>	<p><b>B</b> MINIFIX HOUSING Ø15*12MM</p>  <p>6pcs</p>	<p><b>C</b> MINIFIX HOUSING Ø15*10MM</p>  <p>30pcs</p>	<p><b>D</b> WOOD DOWEL M8*30MM</p>  <p>32pcs</p>	<p><b>E</b> CSK SCREW M3.5*12MM</p>  <p>52pcs</p>	<p><b>F</b> CSK SCREW M4*30MM</p>  <p>16pcs</p>
<p><b>G</b> SHELF SUPPORT</p>  <p>8pcs</p>	<p><b>H</b> JCBC M6*40MM</p>  <p>1pc</p>	<p><b>I</b> DOOR STOPPER</p>  <p>2pcs</p>	<p><b>J</b> M4 ALLEN KEY</p>  <p>1pc</p>	<p><b>K</b> HANDLE</p>  <p>4sets</p>	<p><b>L</b> ADJUSTER</p>  <p>5pcs</p>
<p><b>M</b> HINGES</p>  <p>4pcs</p>	<p><b>N</b> HINGES</p>  <p>4pcs</p>				

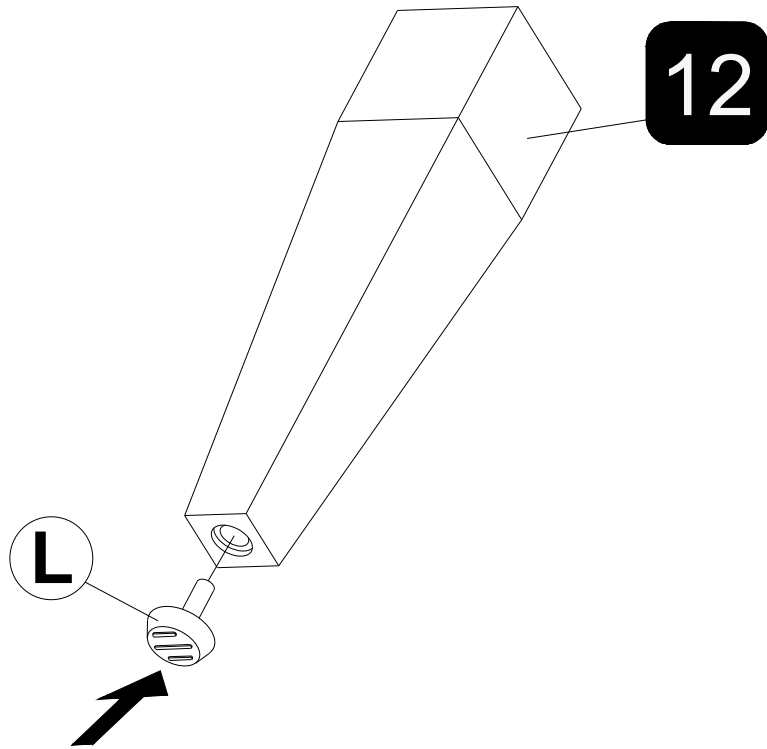
# STEP 1



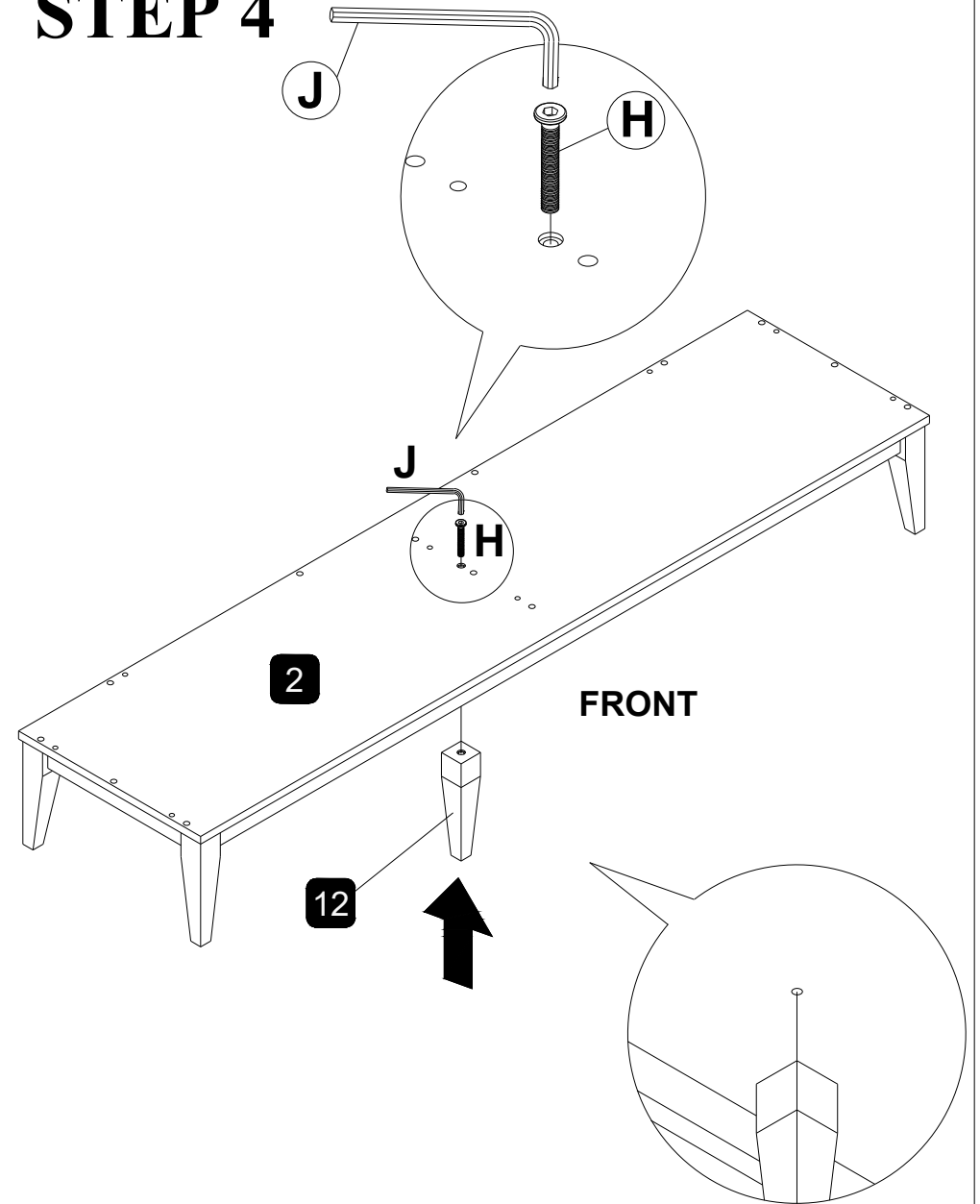
# STEP 2




# STEP 3




# STEP 4

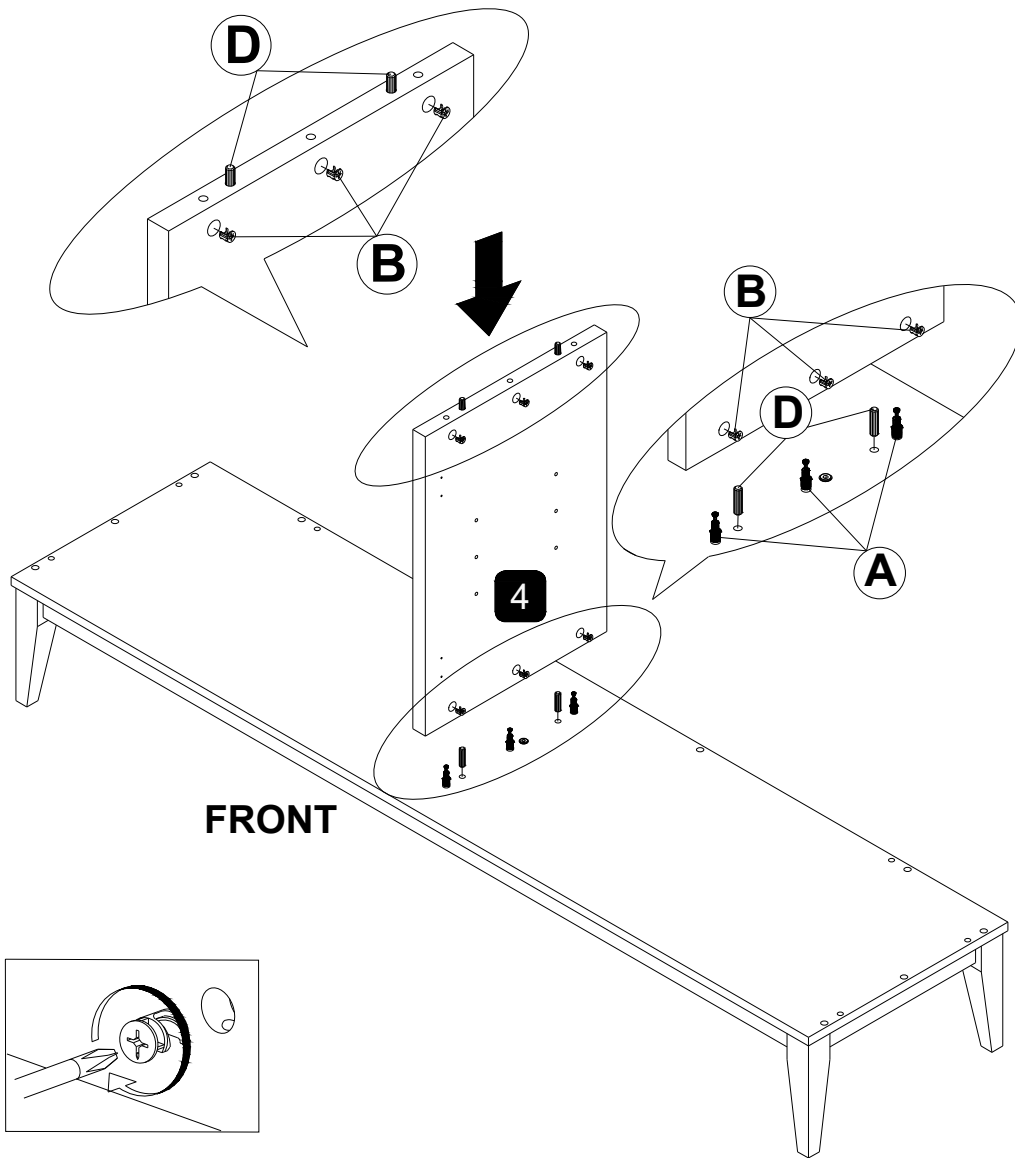


  
L X 1pc

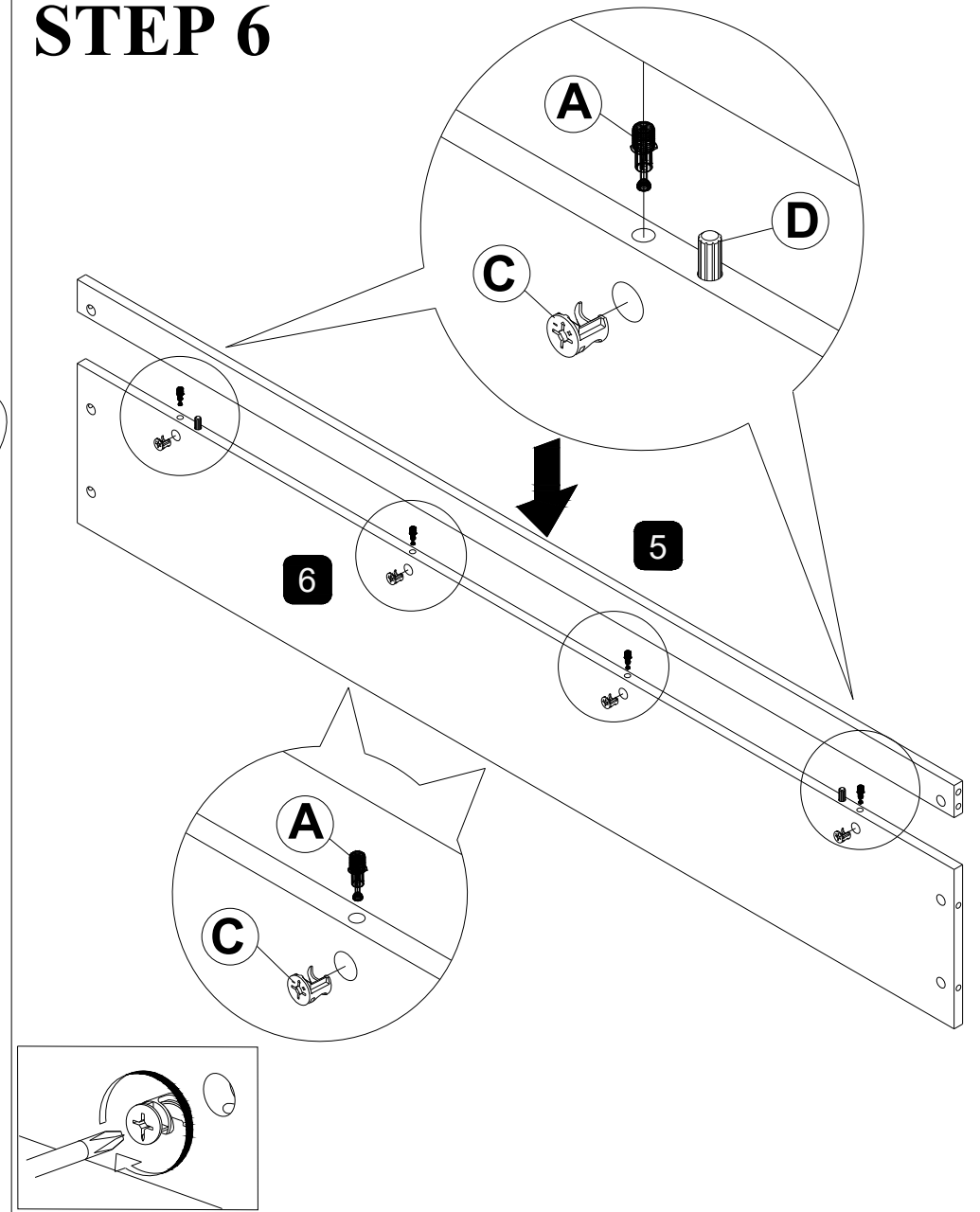
  
H X 1pc

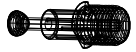
  
J X 1pc

# STEP 5




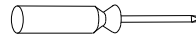
# STEP 6

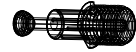



 A X 3pcs

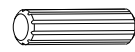
 B X 6pcs

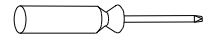
 D X 4pcs



 A X 4pcs

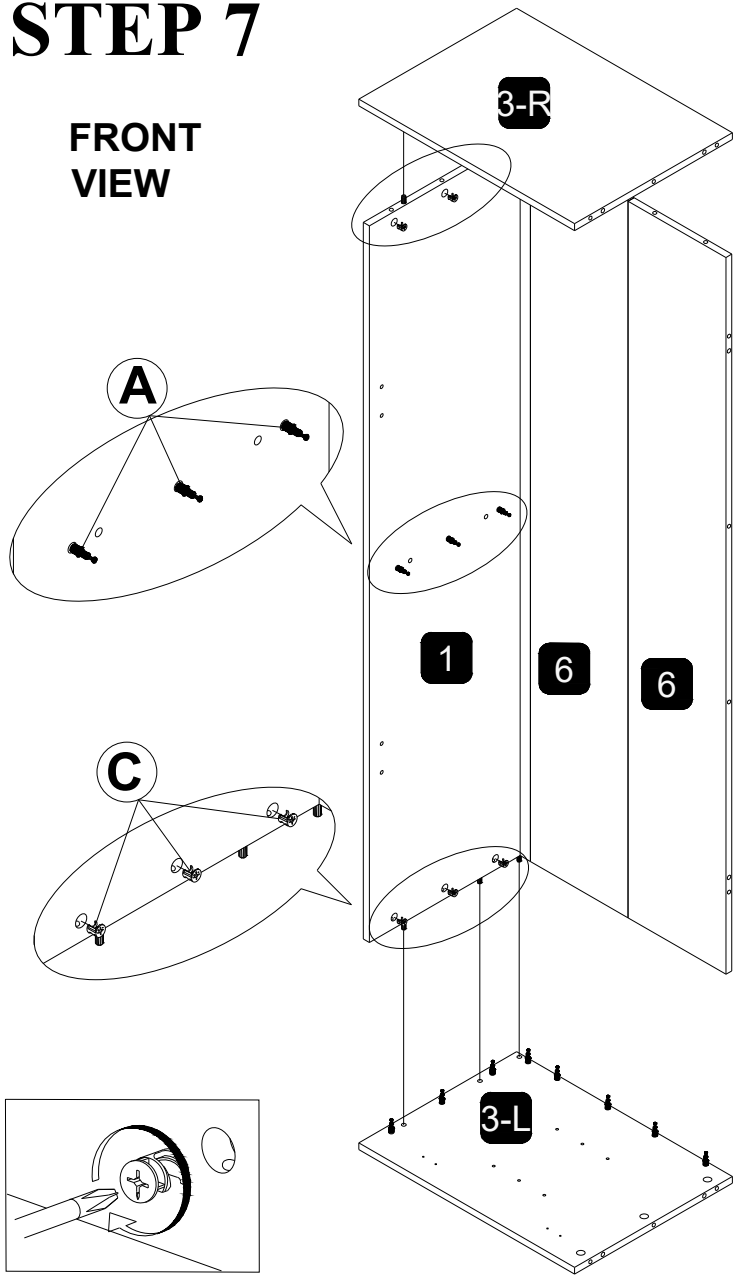
 C X 4pcs

 D X 2pcs

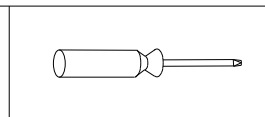
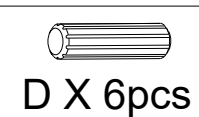
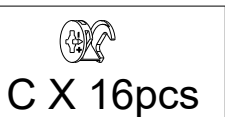
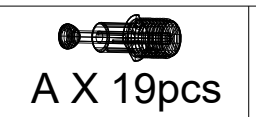
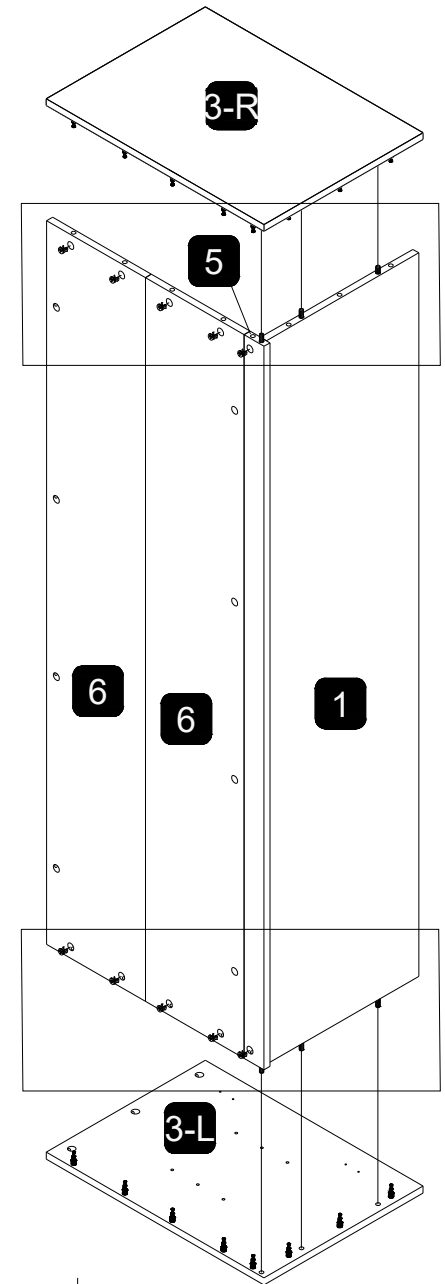
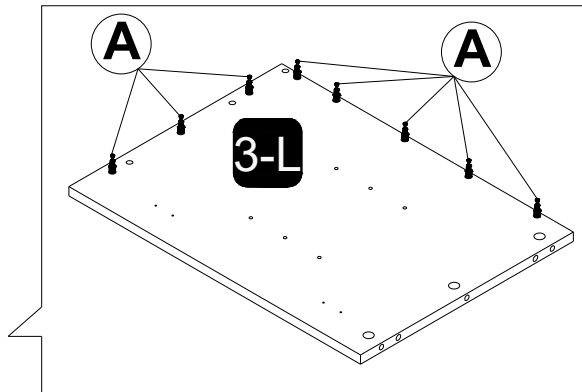
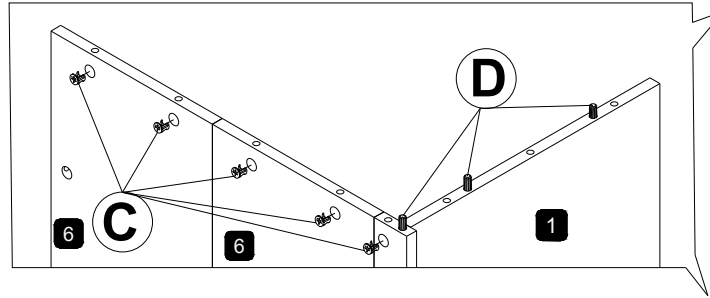


# STEP 7

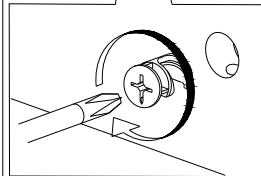
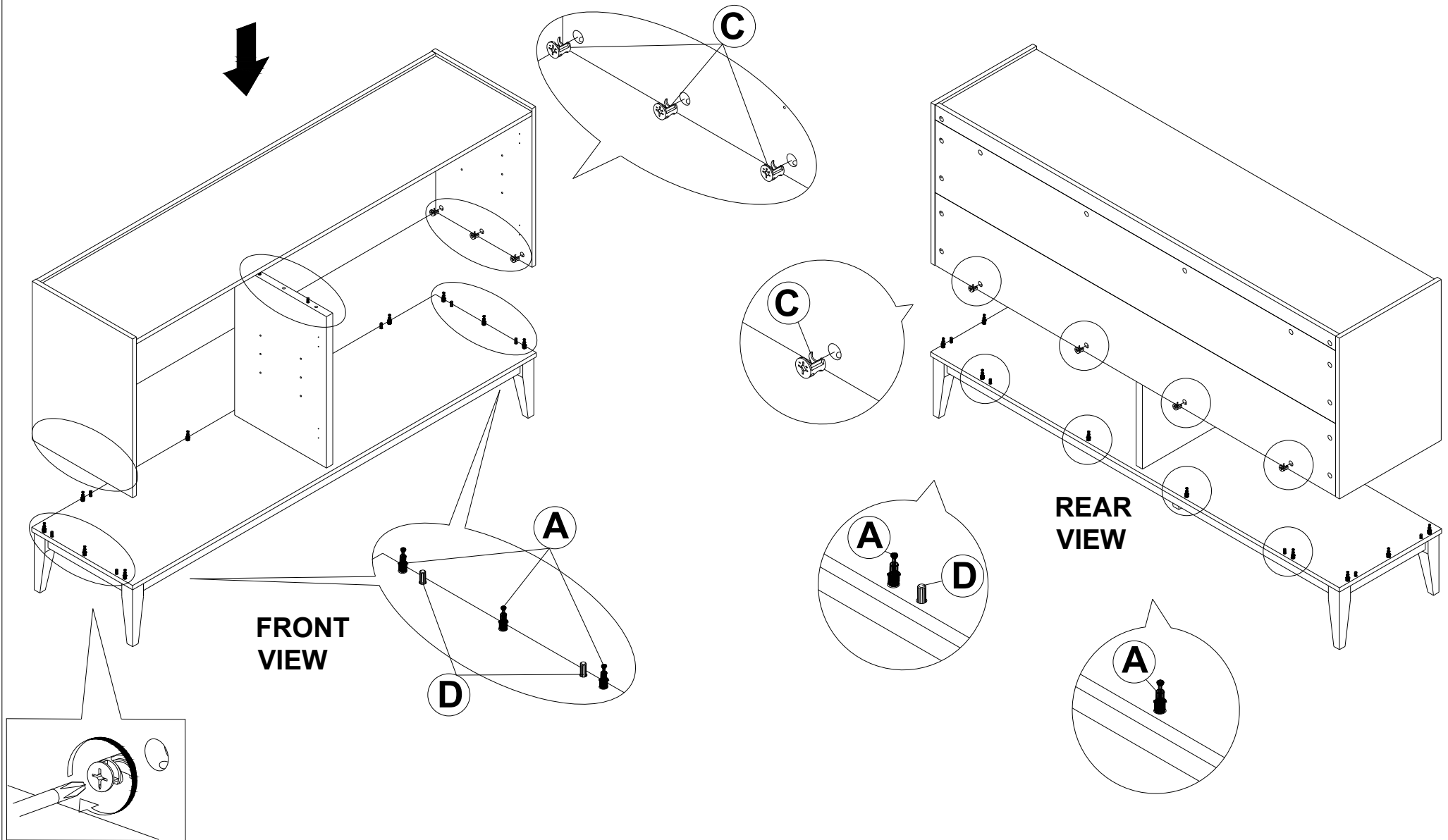
FRONT VIEW




REAR VIEW



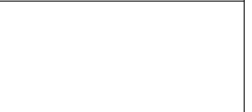
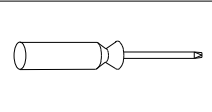
# STEP 8



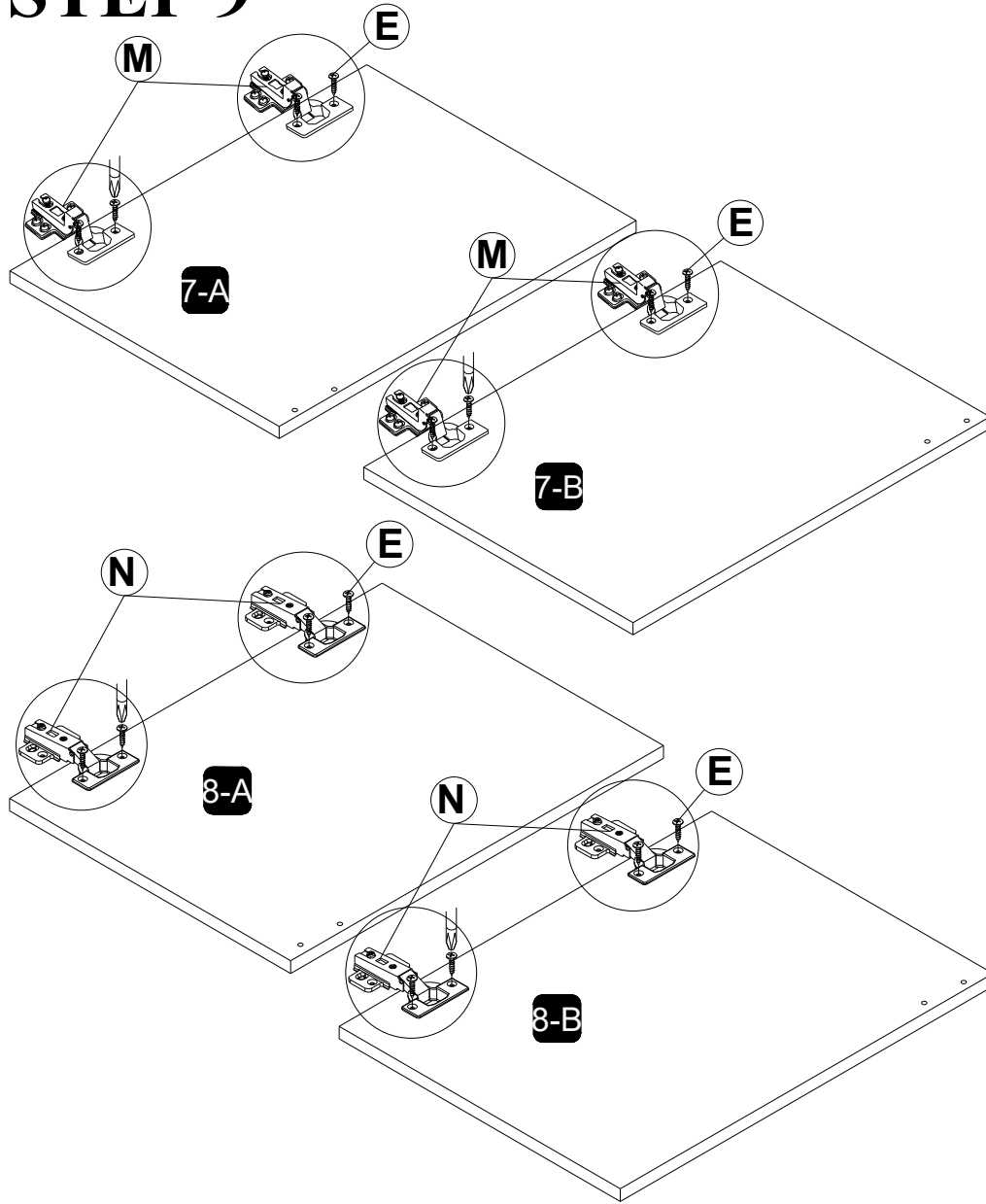
  
A X 10pcs

  
C X 10pcs

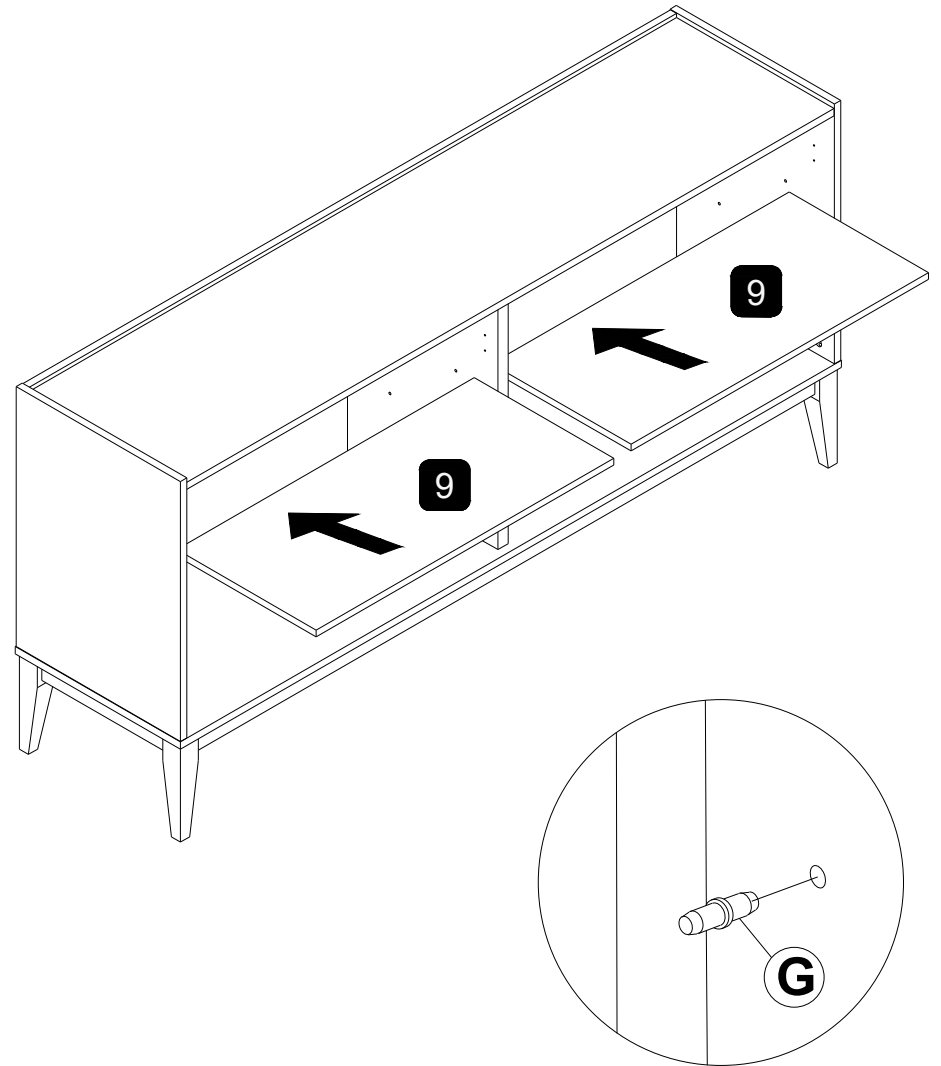
  
D X 6pcs

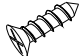



# STEP 9

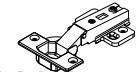


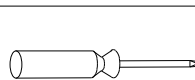
# STEP 10

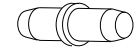


  
E X 16pcs

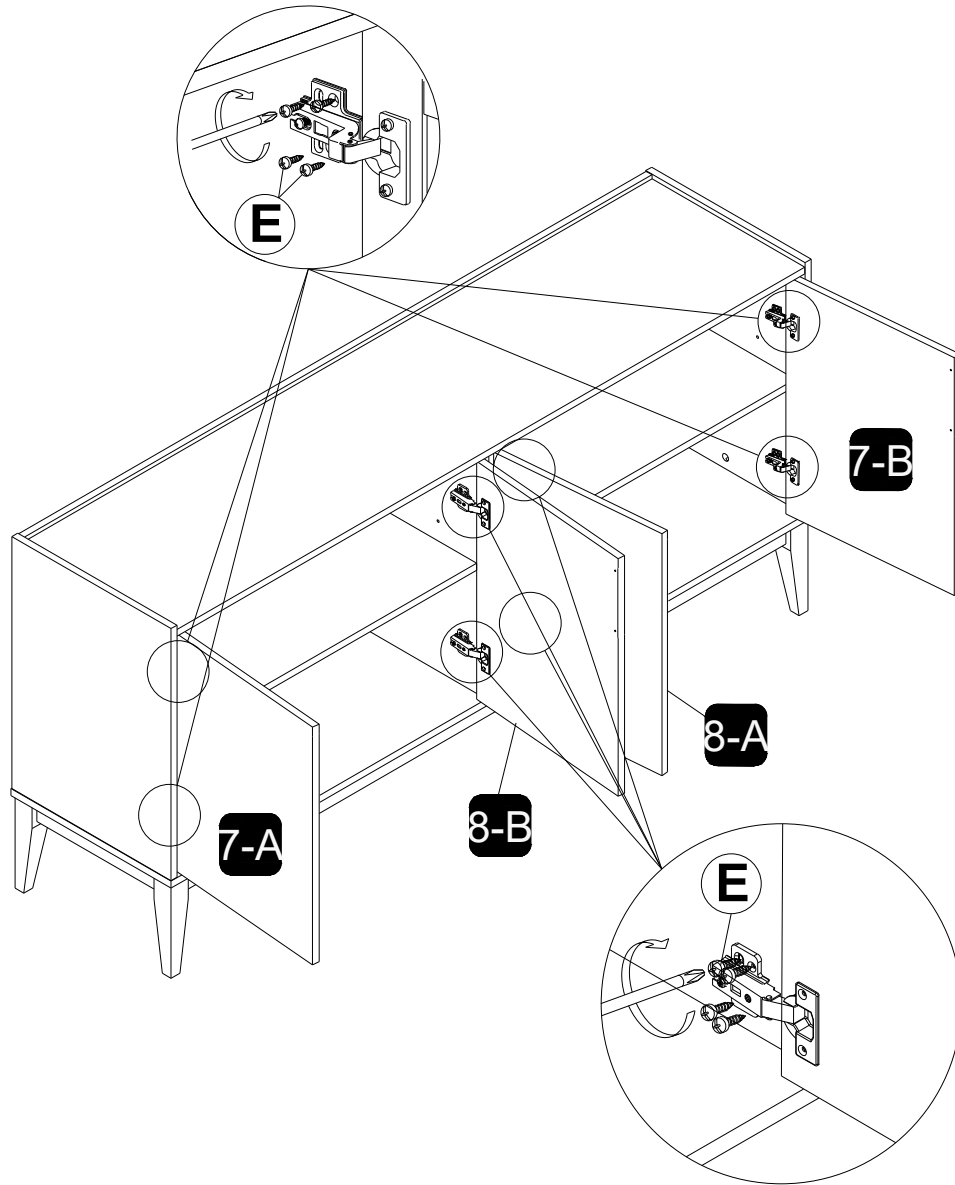
  
M X 4pcs

  
N X 4pcs

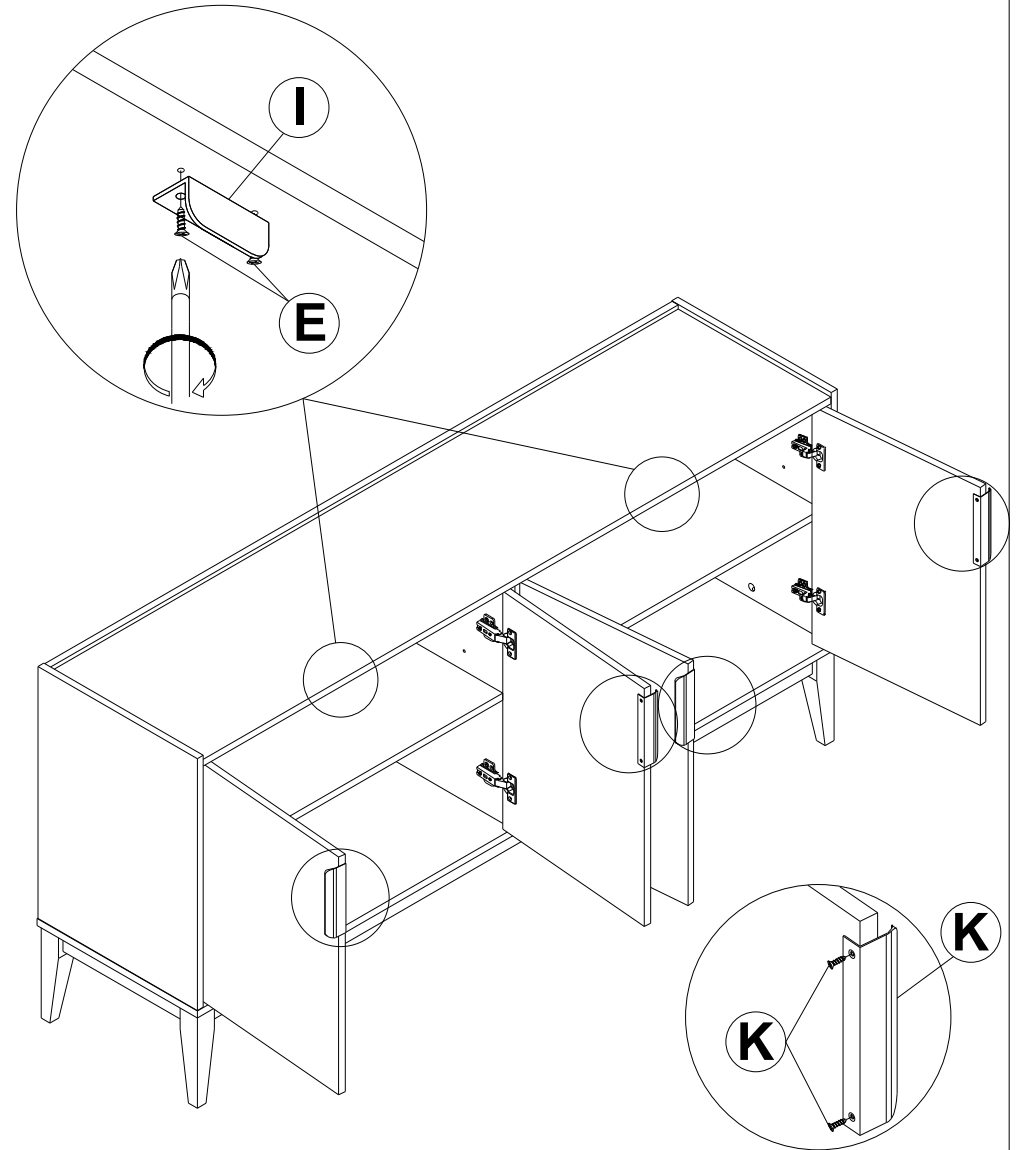



  
G X 8pcs

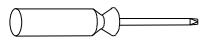
# STEP 11





# STEP 12




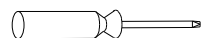
  
E X 32pcs



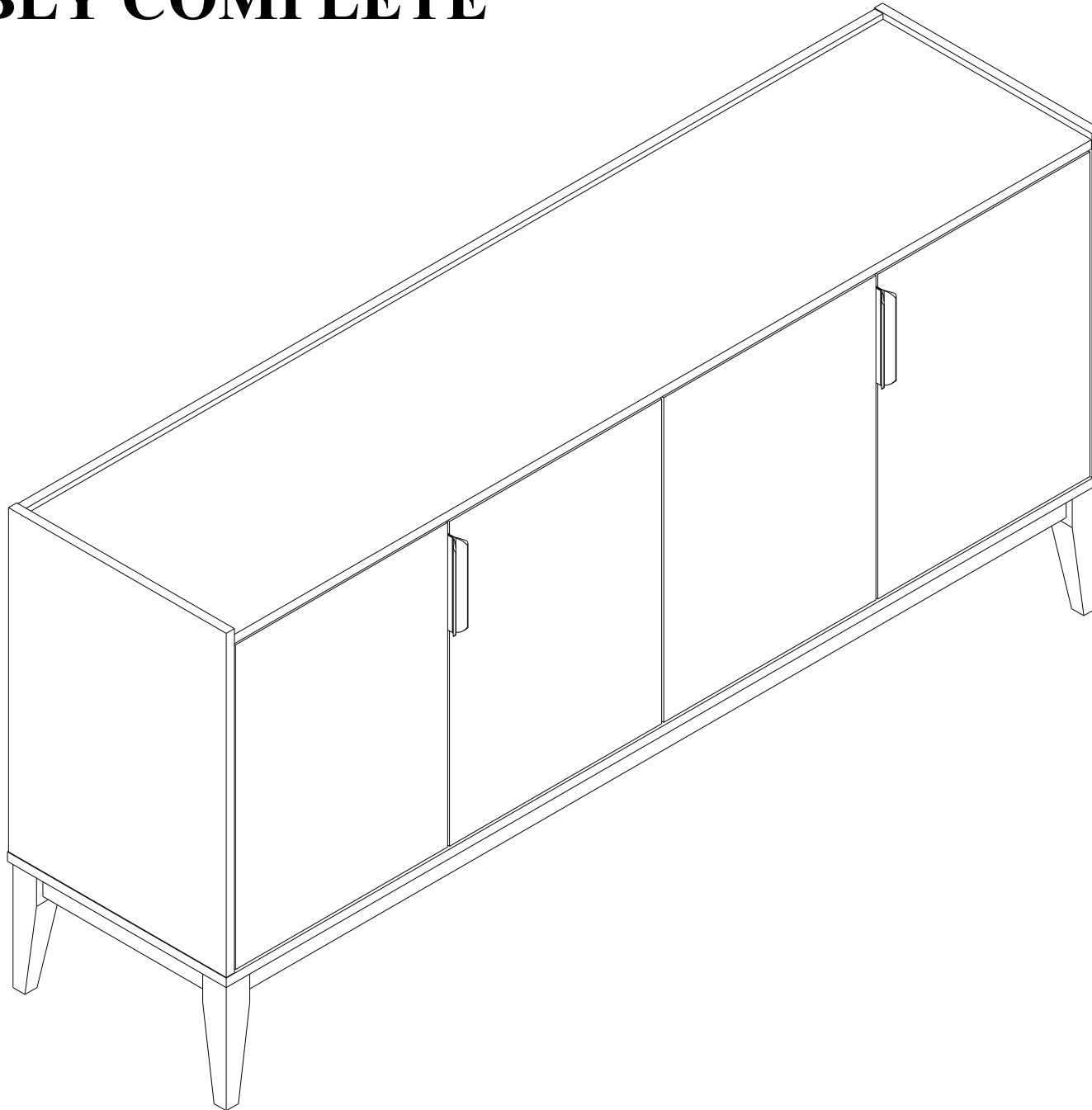
  
E X 4pcs

  
I X 2pcs

  
K X 4sets



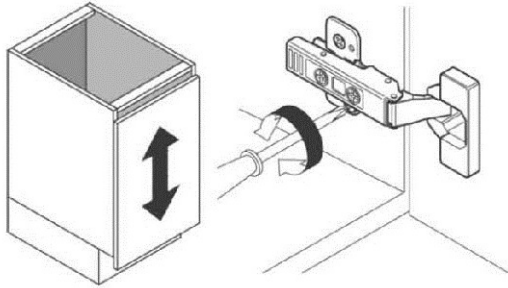
**ASSEMBLY COMPLETE**



## ASSEMBLY INSTRUCTIONS

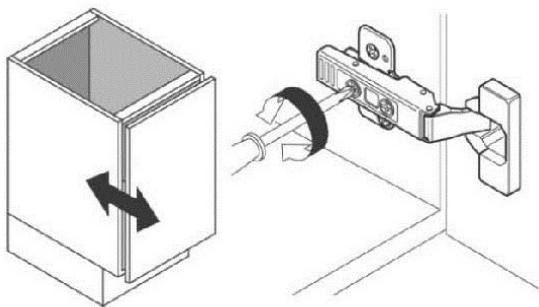
### How to Concealed Hinges

**Height Adjustment-**helps you to adjust doors so they align at the top and bottom.



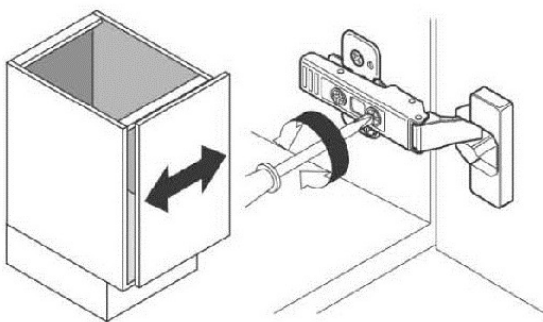
**Note:** Run your hand along the underside of the doors. You will easily feel which door are sitting lower than the others.

**Depth Adjustment-** Lets you bring a door into alignment with vertical surfaces such as drawers.



**Note:** Check to make sure you are not missing a door bumper. Missing door bumpers will cause your cabinet to look out of alignment.

**Side Adjustment-** adjusts gaps between doors and alleviates rubbing doors.



**Note:** Right Side Hinge: Clockwise moves door to RIGHT, CCW moves door to LEFT.  
Left Side Hinge: Clockwise moves door to LEFT, CCW door to RIGHT.