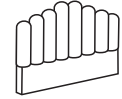
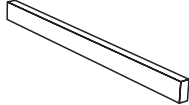
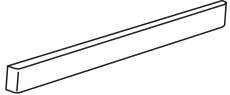

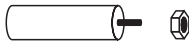

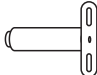
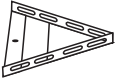
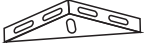
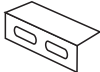









NO	PARTS LIST		QTY
A	HEADBOARD		1PC
B	BED FRAME		2PCS
C	FOOTBOARD		1PC
D	SLAT		1PC

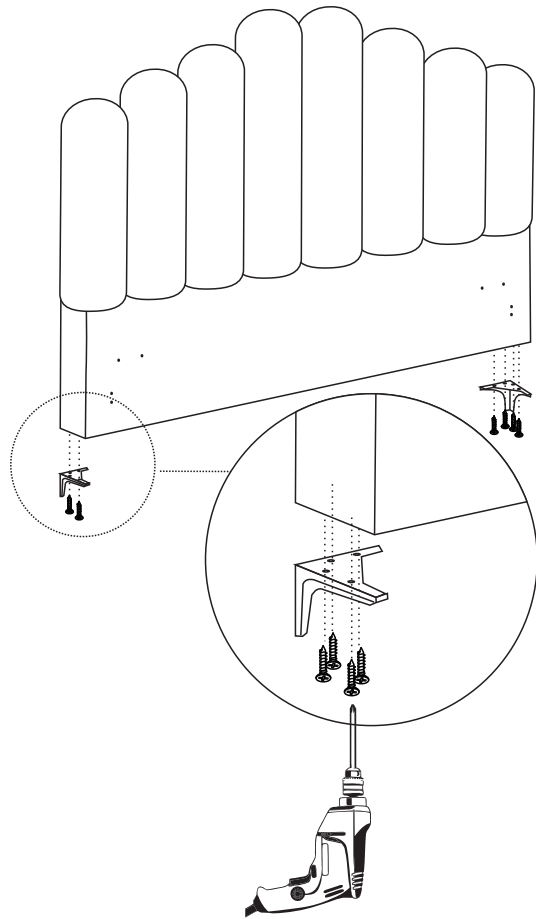
NO	HARDWARE LIST	QTY
B1		2PCS
B2		2PCS
B3		2PCS


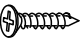
NO	HARDWARE LIST	QTY
B4		2PCS
B5		4PCS
B6		3PCS

NO	HARDWARE LIST	QTY
B7		2PCS
B8	 8*50mm	4PCS
B9	 8*25mm	38PCS

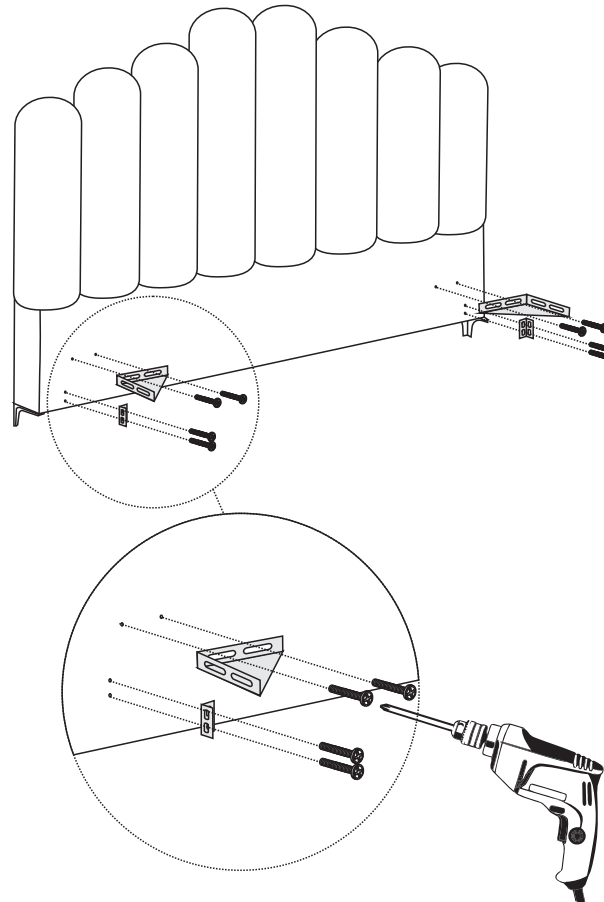
NO	HARDWARE LIST	QTY
B10		4PCS
B11	 2.5*30mm	24PCS
B12	 3*30mm	8PCS
B13		4PCS




STEP 1



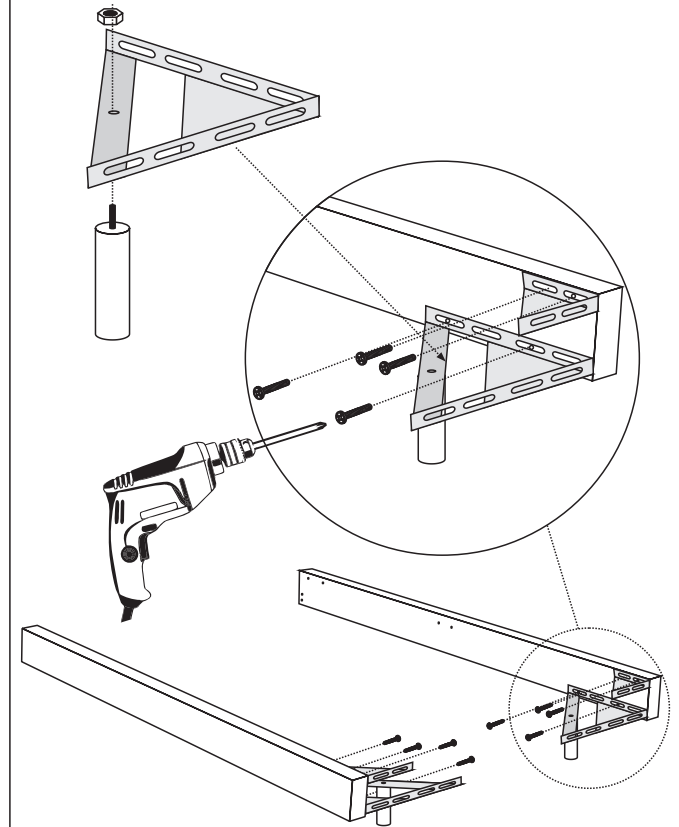
B2		2PCS
B12	 3*30mm	8PCS




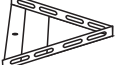
STEP 2



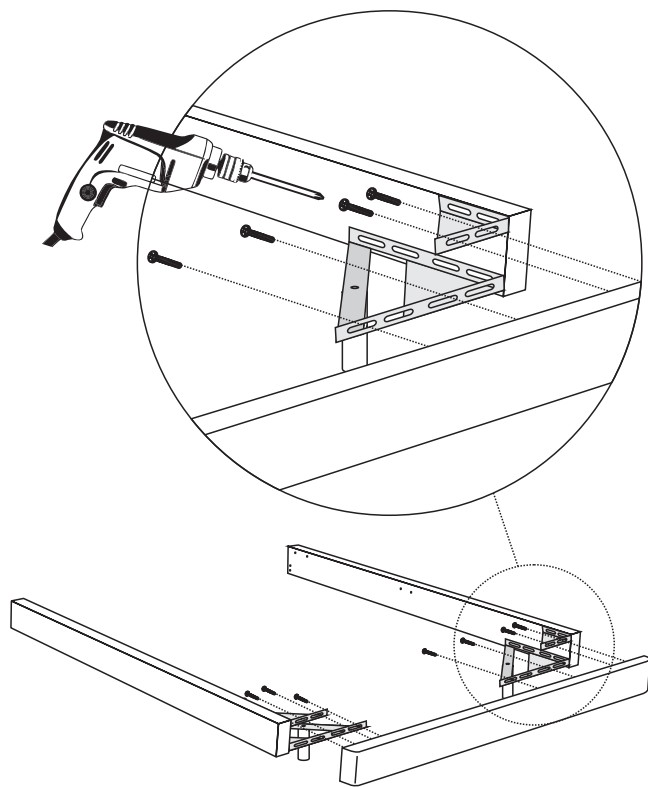
B9	 8*25mm	8PCS
B5		2PCS
B7		2PCS


STEP 3



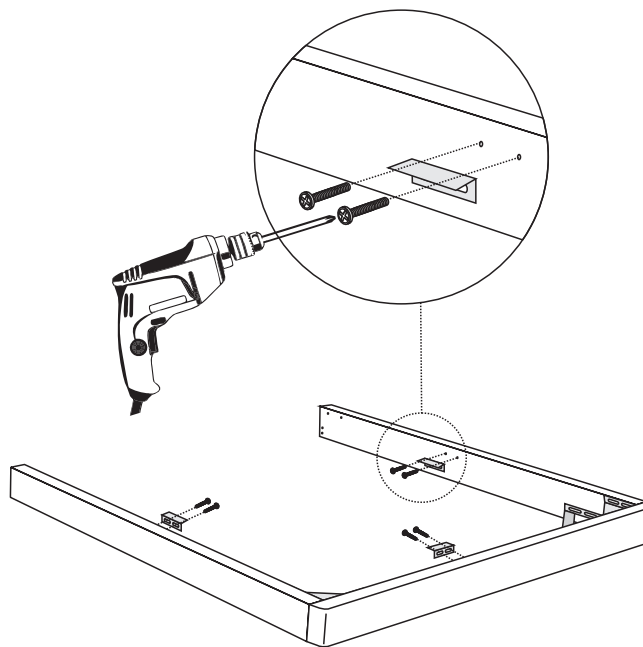
B9	 8*25mm	8PCS
B5		2PCS
B1		2PCS
B4		4PCS

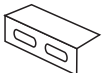

STEP4



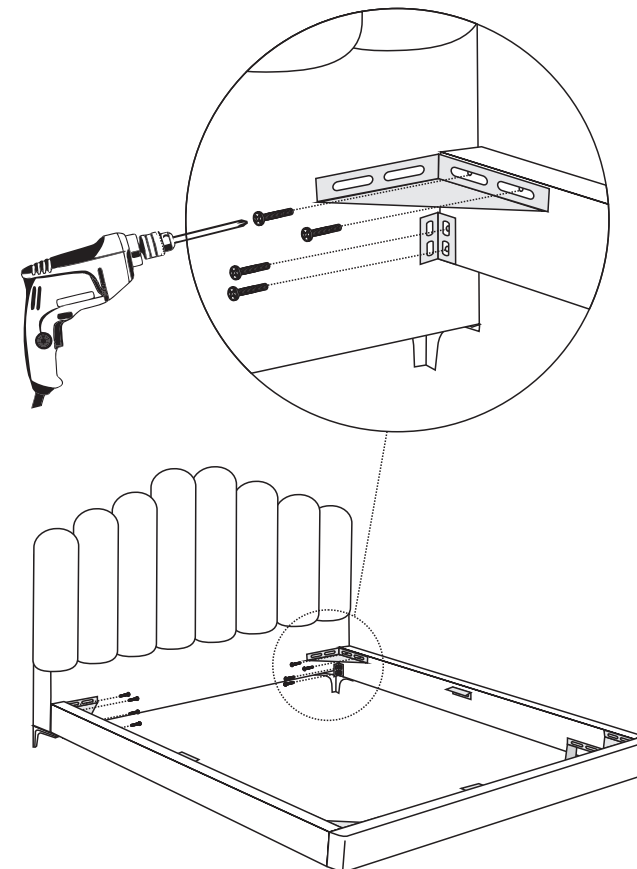
B9	 8*25mm	8PCS
----	--	------


STEP5



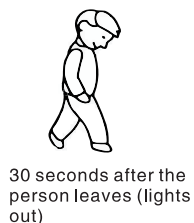
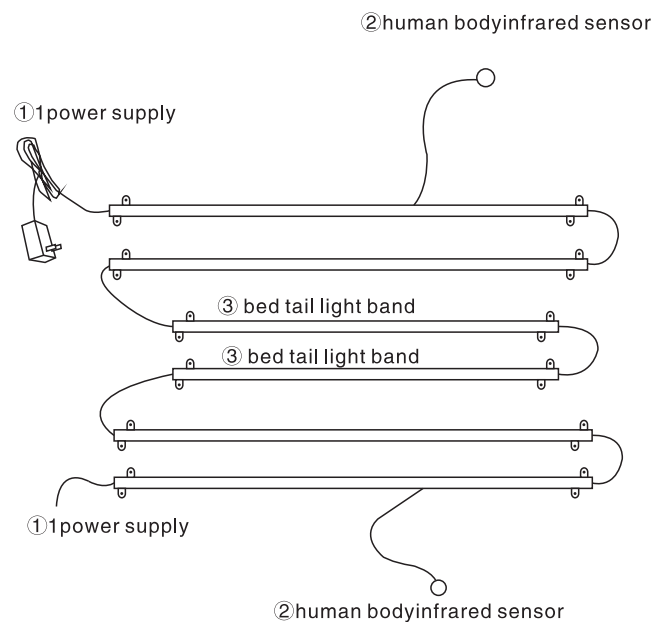
B6		3PCS
B9	 8*25mm	6PCS

STEP6



B9	 8*25mm	8PCS
----	--	------

STEP 7

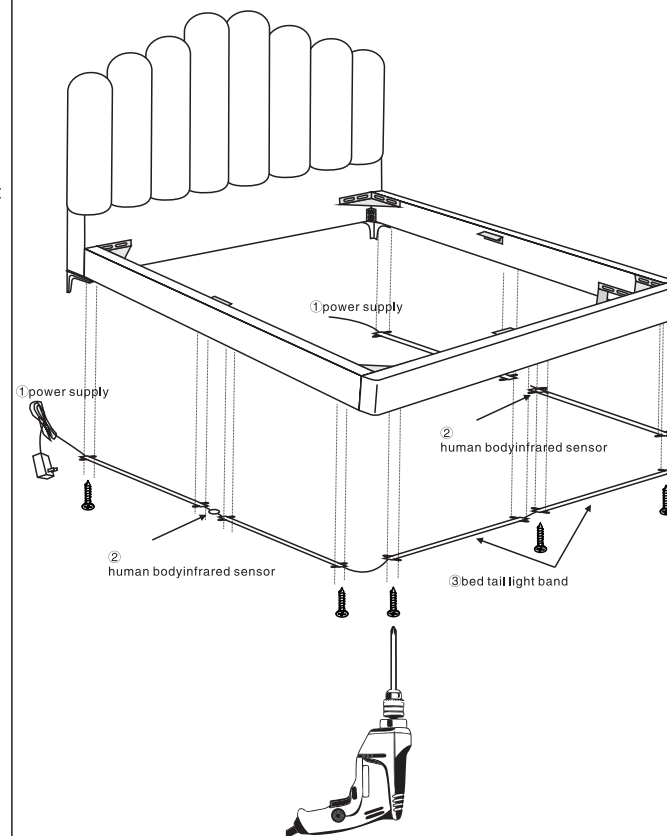



STEP 8

POINTS TO NOTE:

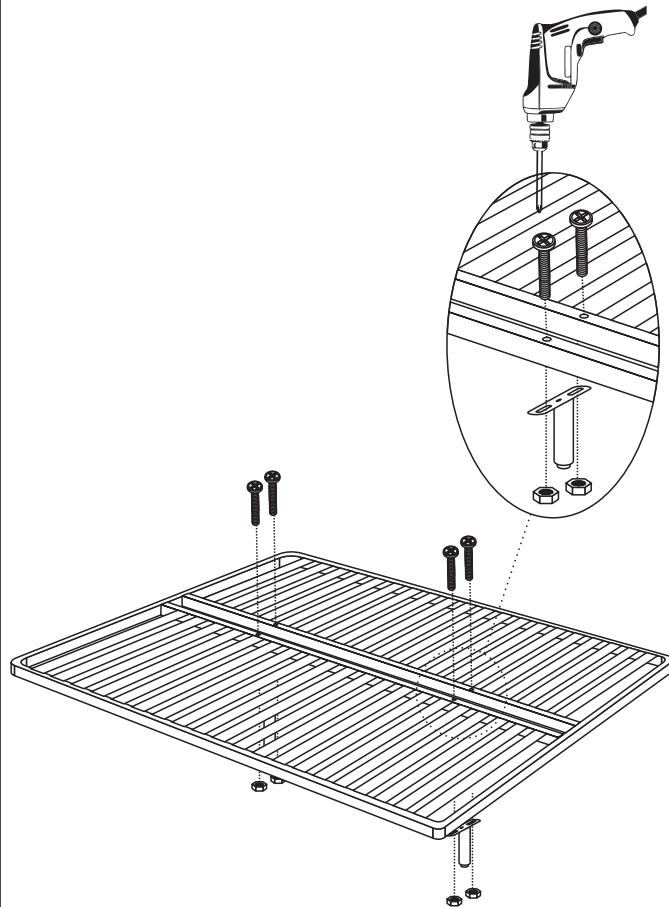
1. Before connecting the power, please check whether the connection between the two sides of the bed and the tail light connector is correct. If not, please reconnect it. Otherwise, short circuit fault (flashing or not lit) will occur. Therefore, it must not be connected wrongly.
2. Inductive probes should be installed in the middle of both bed beams, (The sensor is tilted 45 degrees outwards.)
3. After power up, all lights enter self-test mode: All the lights flash for one second and then turn off. Then the lights will turn on automatically when the user enters the sensor range. The lights will turn off automatically after 30 seconds after the user leaves.

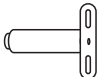


STEP 9



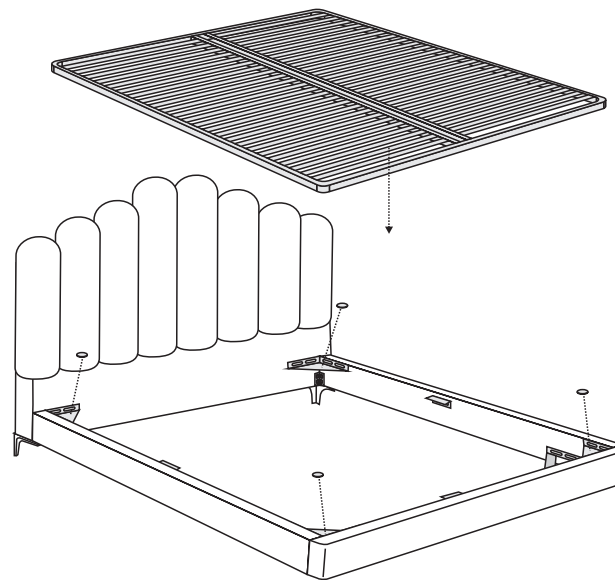
B11		2.5*30mm	24PCS
-----	---	----------	-------


STEP 10



B3		2PCS
B10		4PCS
B8	 8*50mm	4PCS

STEP 11



B13		4PCS
-----	---	------

STEP 12

