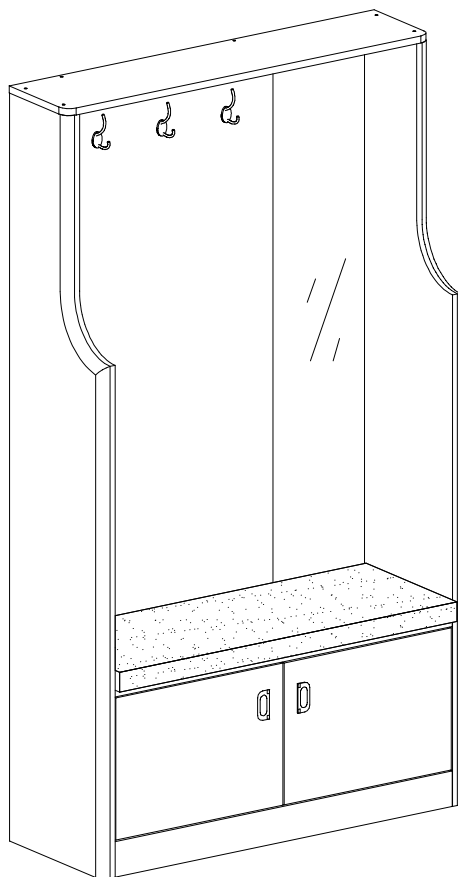


ASSEMBLY INSTRUCTION

Thank you for purchasing the quality product. Be sure to check all packing material carefully for small parts which may have come loose inside the carton during shipment. Separate, identify and count all parts and metal hardware. Compare with all parts list to be sure all parts are present. If any part(s) are missing or damaged, please contact your local furniture dealer. For efficient and speedy service, please indicate the model number and code letter of part(s) needed.

*****Do not fully tighten screws until fully assembled*****

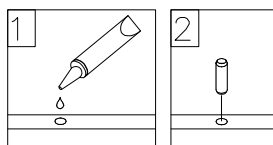


Attention:

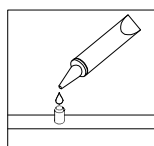
*****Some number parts listed on the instruction sheet may not be in parts bag as they may already be assembled. Carefully check parts and packing materials prior to ordering replacements.**

General Assembly Guidelines

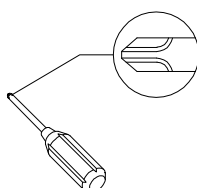
- I. Ensure that all parts and hardware are available before beginning assembly.
- II. Follow each step carefully to ensure the proper assembly of this product.
- III. Two people are recommended for ease in the assembly of this product.
- IV. The three main types of hardware used to assemble this product are: wood dowels, screws and bolts.
- V. The provided glue is to secure wood dowels in place. When first inserting dowels, locate the appropriate hole for the dowel, place a small amount of glue in the hole and insert the dowel. Wipe away excess glue immediately.



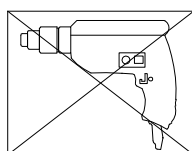
In future assembly steps when dowels are necessary to attach assembly parts together, place a small amount of glue on the end of the dowel before attaching parts together. Wipe away excess glue immediately.



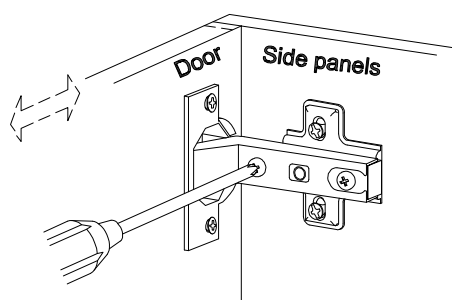
- VI. A Phillips head screwdriver is required for the assembly of this product.



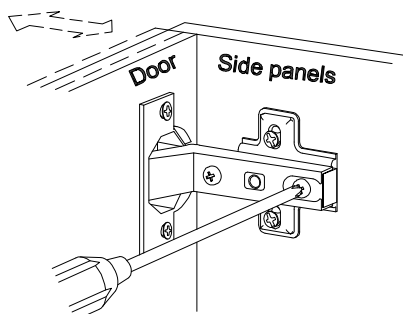
- VII. Power tools should not be used to assemble this product.



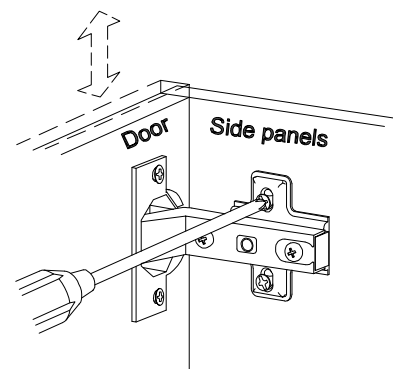
- VIII. Concealed hinges are three-way adjustable.



Horizontal
by screw adjustment

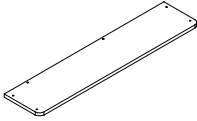
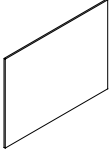
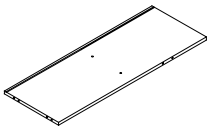
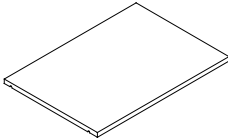
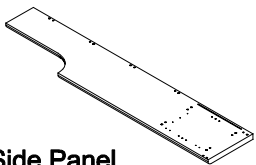
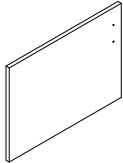
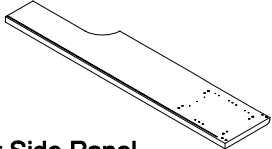
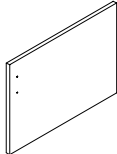
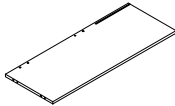
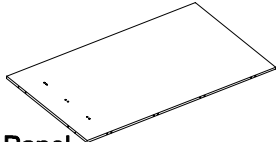
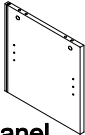
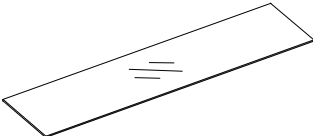
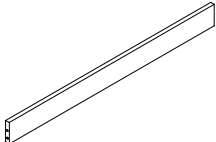

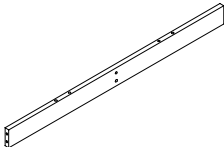
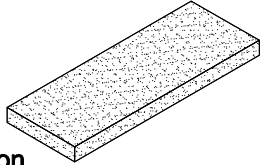
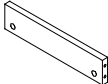


In-and-Out
by loosening the hinge-arm
mounting screw or via cam
adjustment


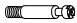




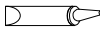

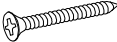







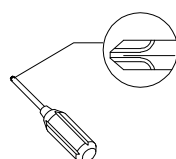
Vertical
Via slots in the mounting
plate or via cam adjustment

COMPONENT PARTS

DESCRIPTION	PART NAME	QTY(PCS)	DESCRIPTION	PART NAME	QTY(PCS)
①	 Table Top	1	⑩	 Back Panel	2
②	 Table Bottom	1	⑪	 Shelf	2
③	 Left Side Panel	1	⑫	 Door	1
④	 Right Side Panel	1	⑬	 Door	1
⑤	 Shelf	1	⑭	 Back Panel	1
⑥	 Middle Side Panel	1	⑮	 Mirror	1
⑦	 Support Panel	1	⑯	 Support Panel	2
⑧	 Support Panel	1	⑰	 Cushion	1
⑨	 Support Panel	1			

Hardware List

A		Ø8x30mm	Wooden dowel	34 pcs
B		Ø6x35mm	Cam bolt	26 pcs
C		Ø15x11mm	Cam lock	26 pcs
D			Sticker	26 pcs
E		Ø6x50mm	Screw	8 pcs
F			Hinge	4 pcs
G		4mm	Allen Key	1 pcs
H			Glue tube	1 pcs
I			Handle	2 pcs
J		Ø4x30mm	Screw	6 pcs
K		Ø3.5x14mm	Screw	20 pcs
L			Plastic wedge	8 pcs
M		Ø3x16mm	Screw	8 pcs
N		Ø8x5x16mm	Shelf support pin	8 pcs
O				3 pcs

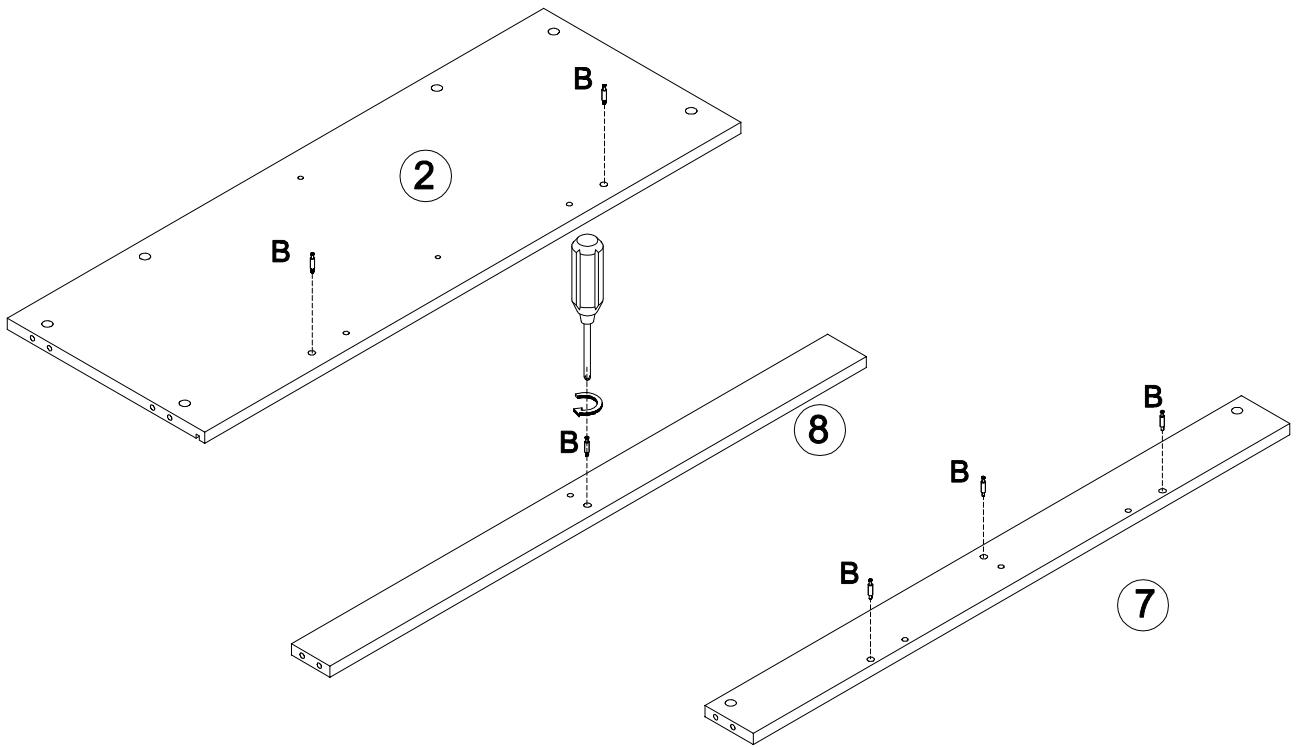


Philips head screwdriver required for assembly
(not included)

*The hardware quantities listed above are required for proper assembly.
Some extra hardware may also have been included.*

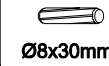
Step 1

B x 6



Step 2

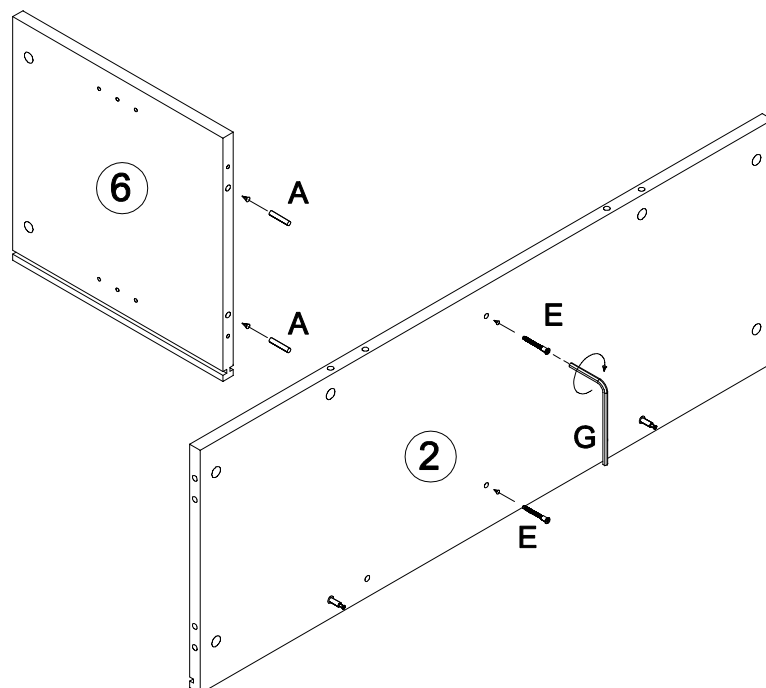
A x 2





E x 2

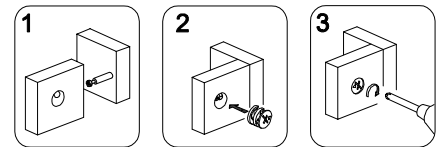
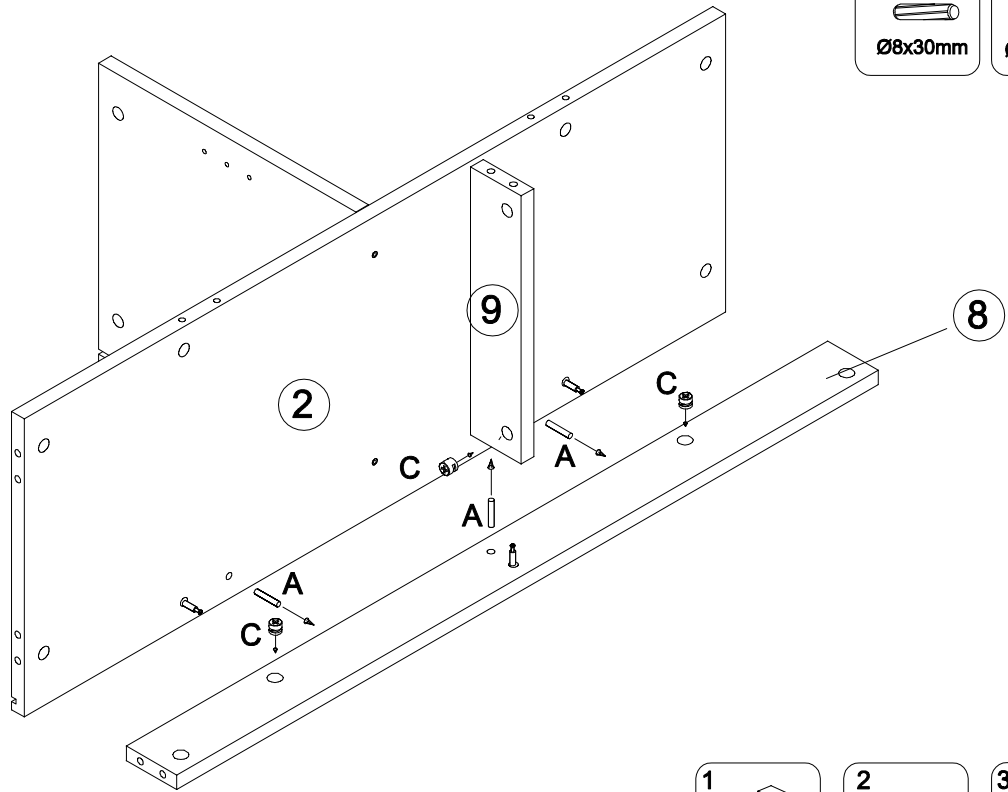


G x 1





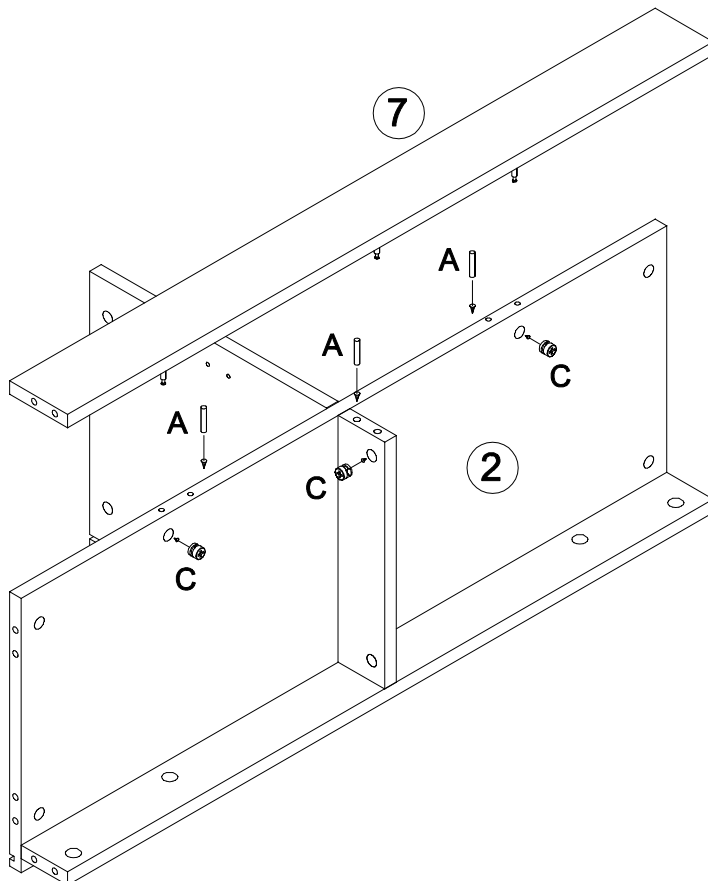
Step 3

A x 3	C x 3
 Ø8x30mm	 Ø15x11mm

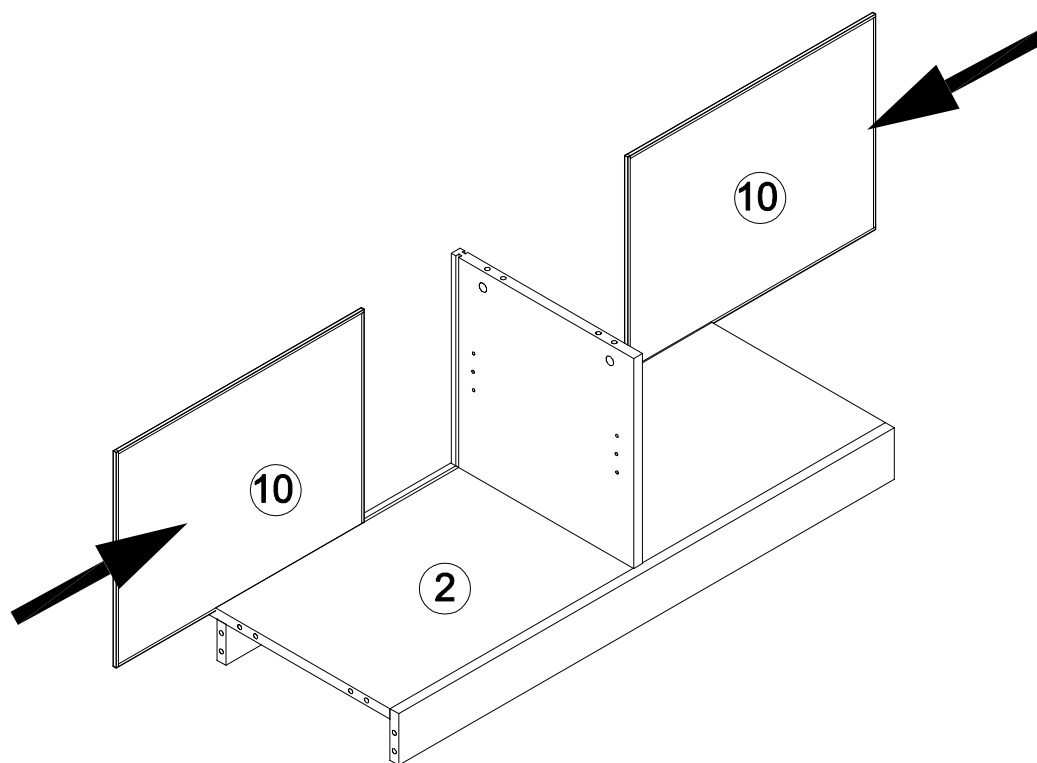


Step 4

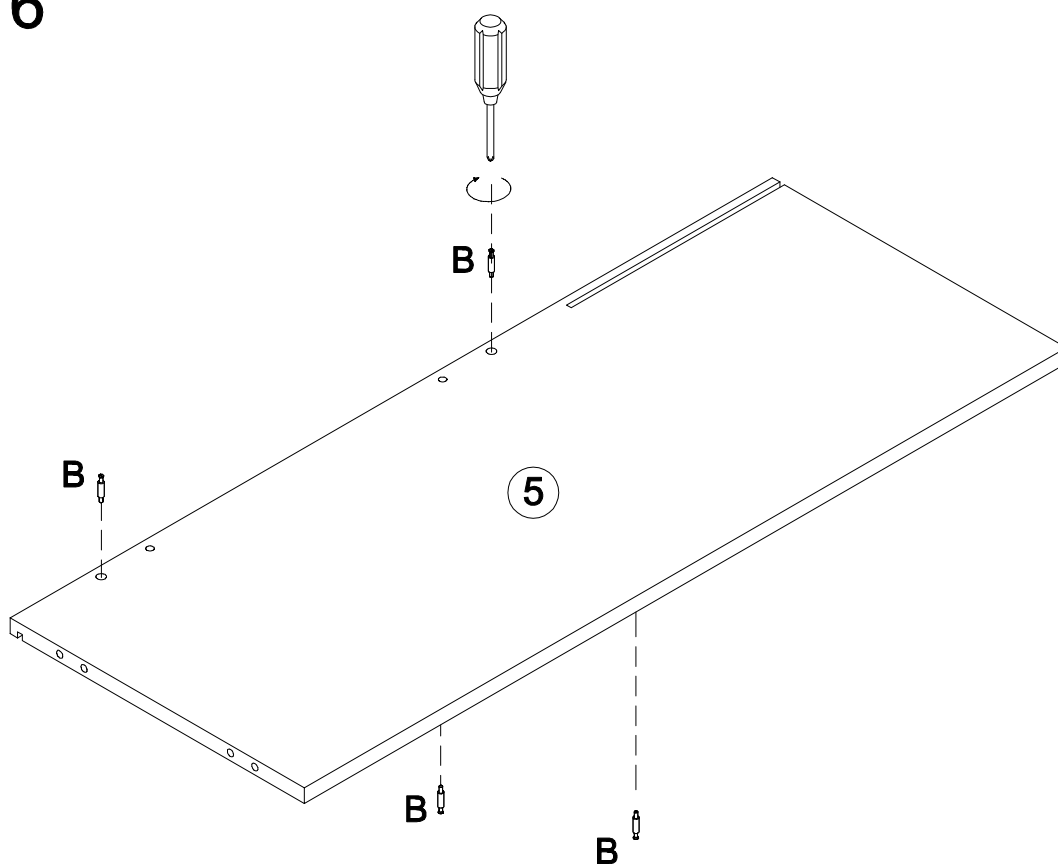
A x 3	C x 3
 Ø8x30mm	 Ø15x11mm



Step 5





Step 6

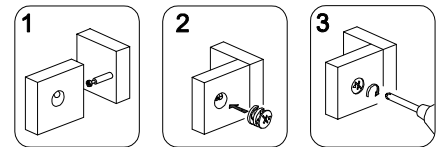
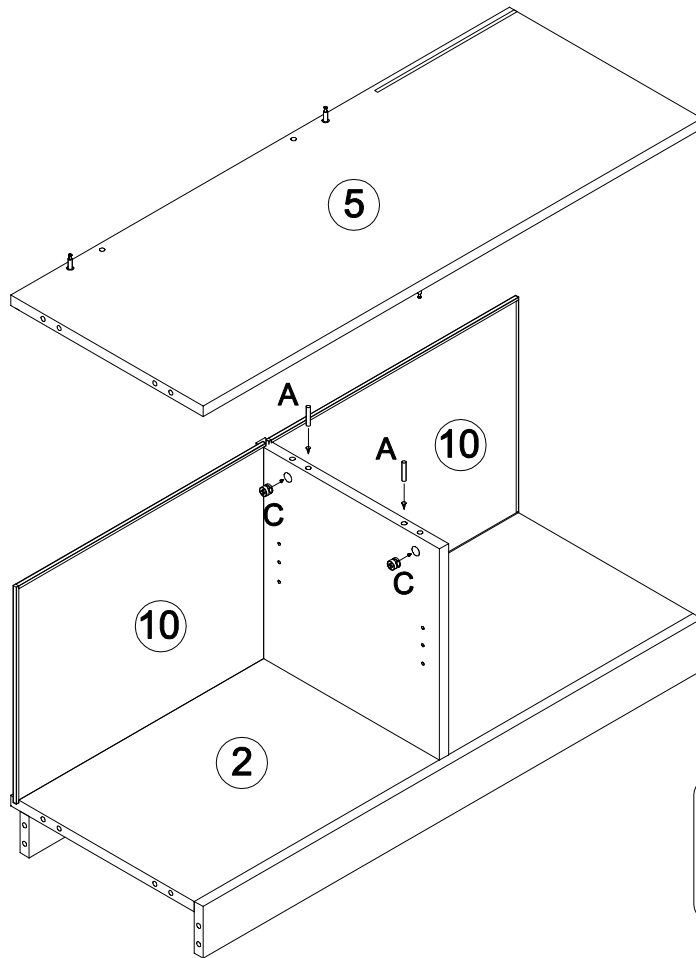


B x 4

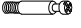
Ø6x35mm

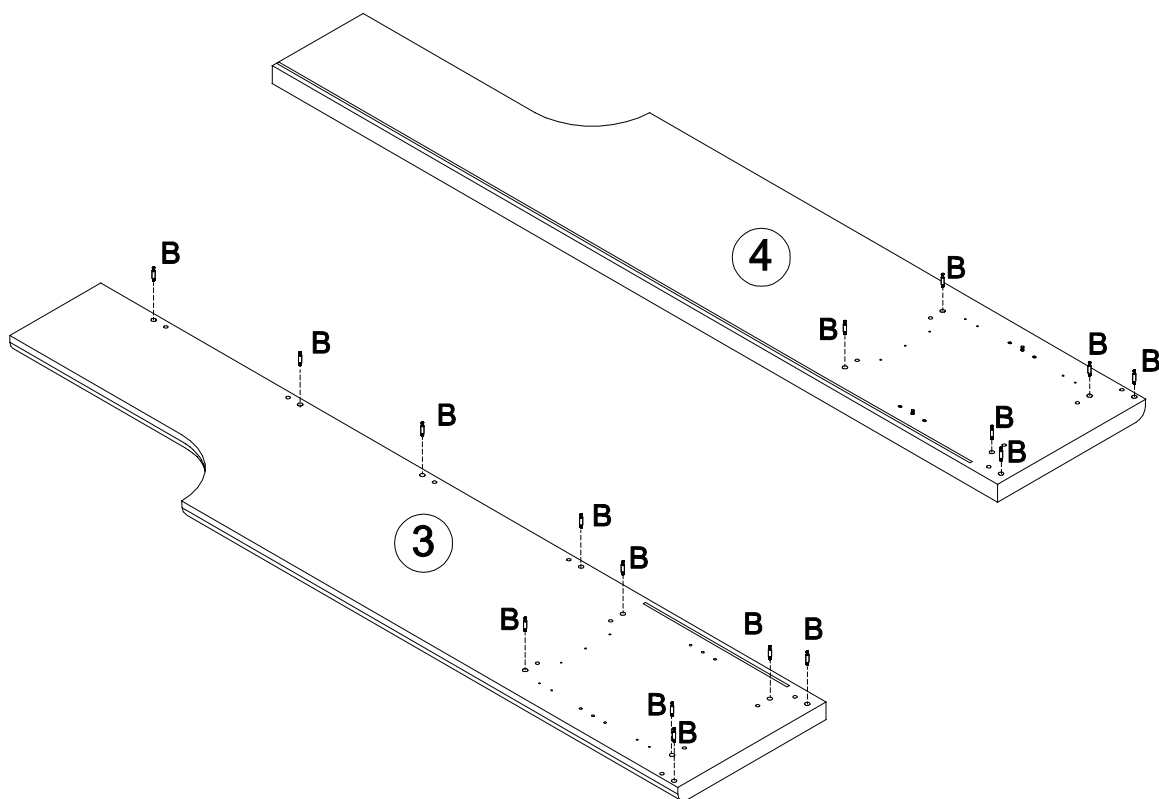
Step 7

A x 2	C x 2
	
Ø8x30mm	Ø15x11mm



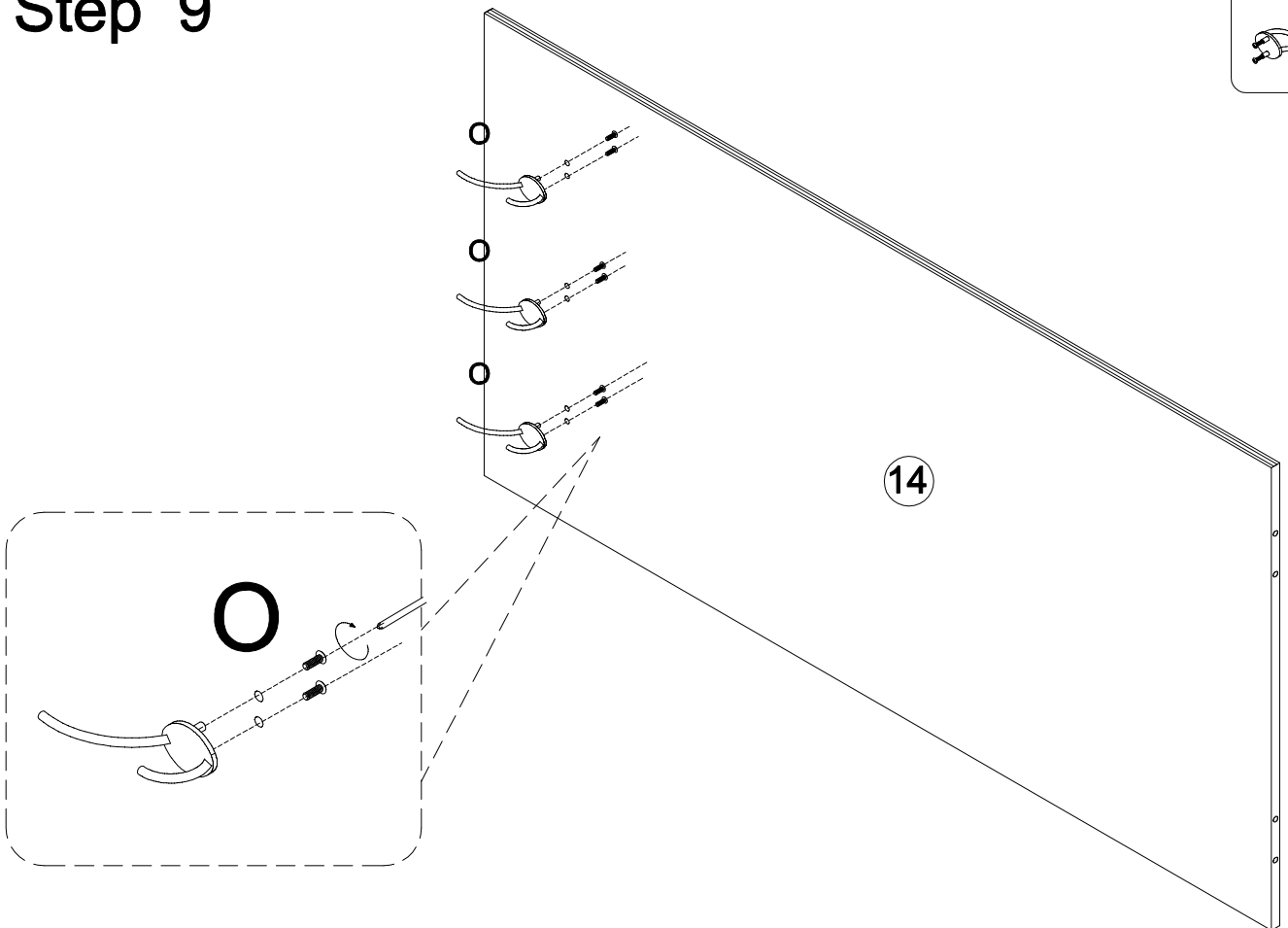
Step 8

B x 16

Ø6x35mm




Step 9

O x 3




Step 10

A x 12

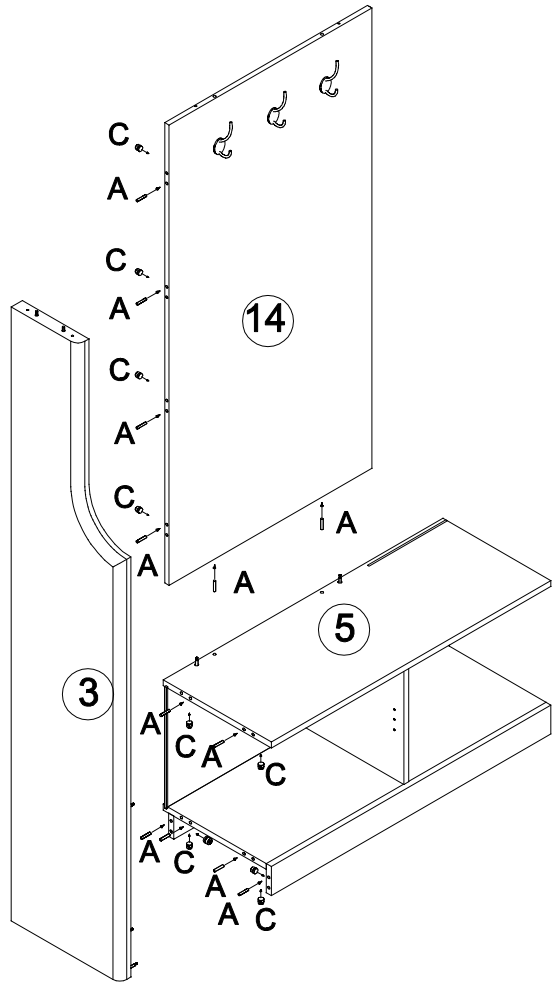


Ø8x30mm

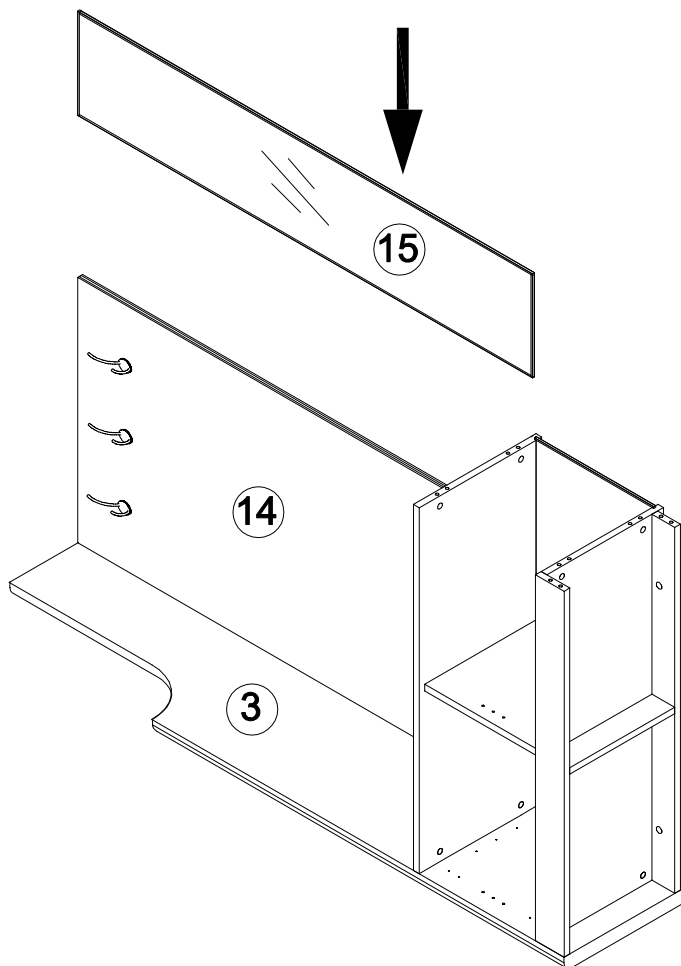
C x 12



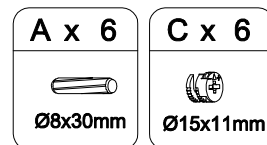
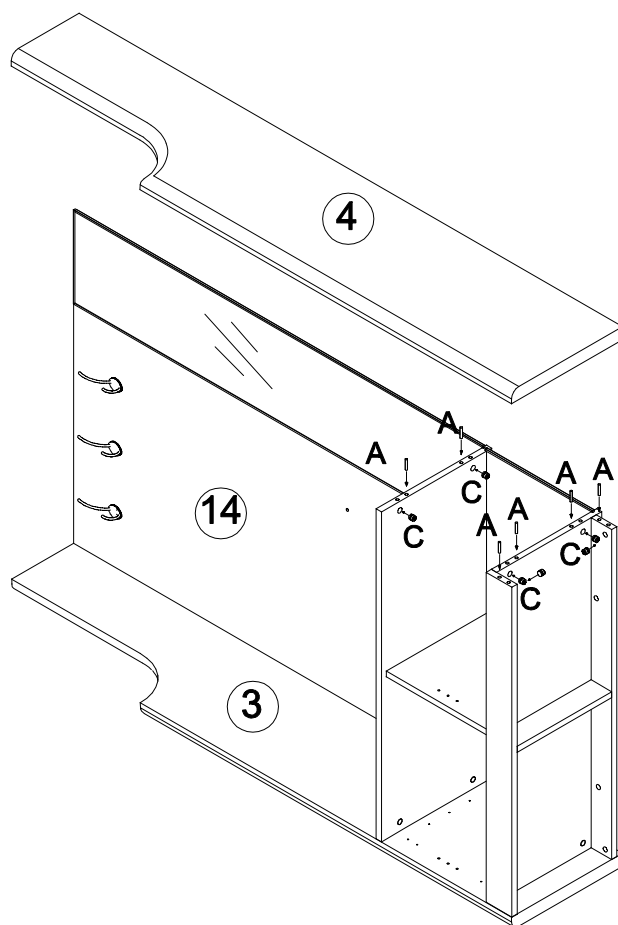
Ø15x11mm






Step 11

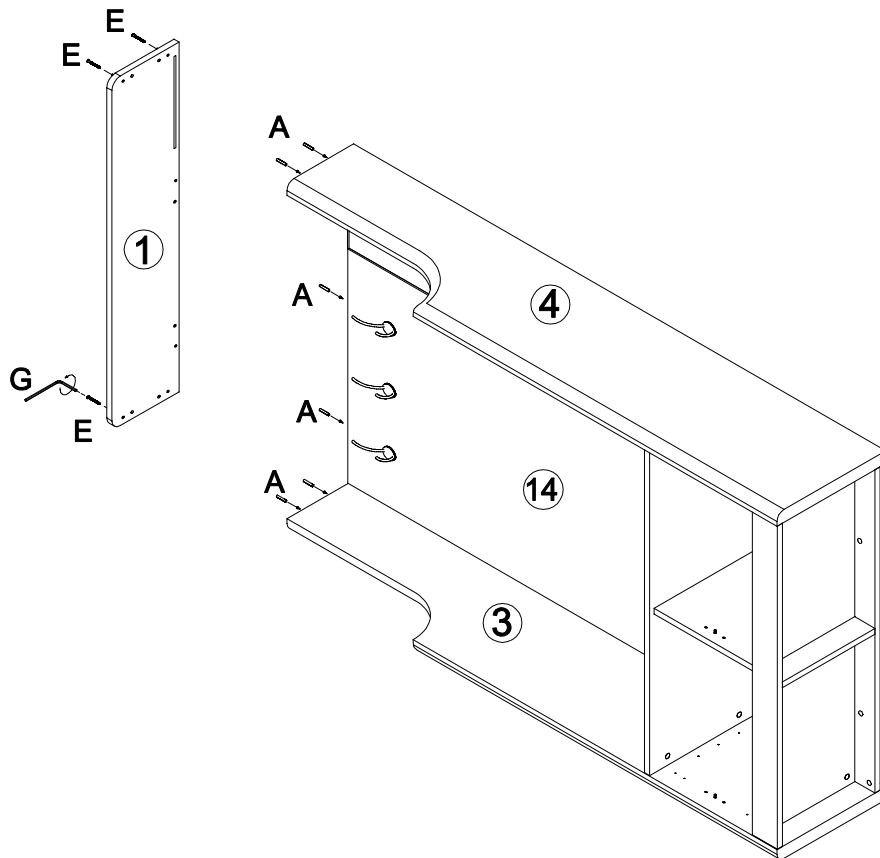


Step 12




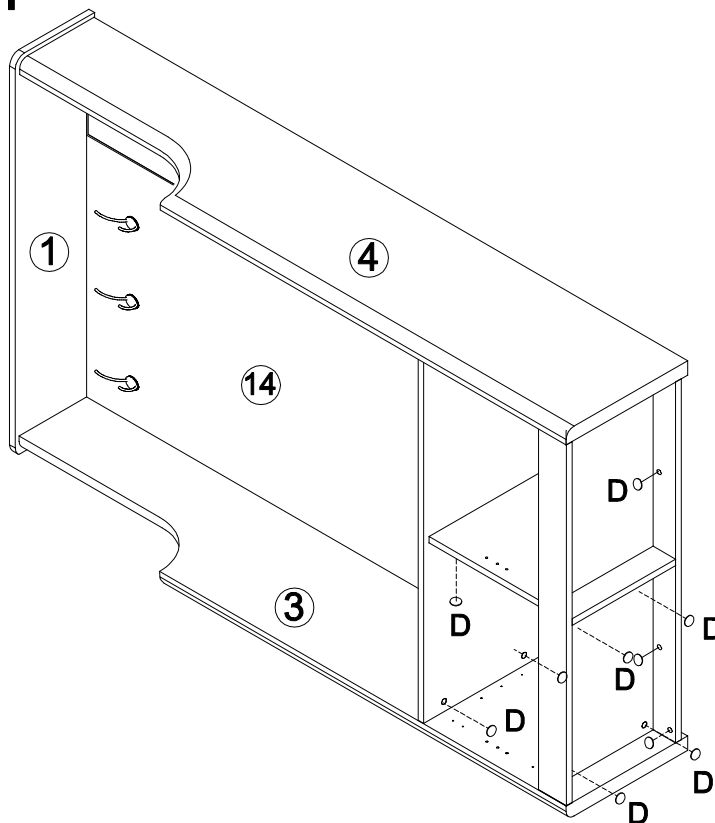
Step 13

A x 6  Ø8x30mm	E x 6  Ø6x50mm	G x 1  4mm
--	--	--


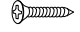


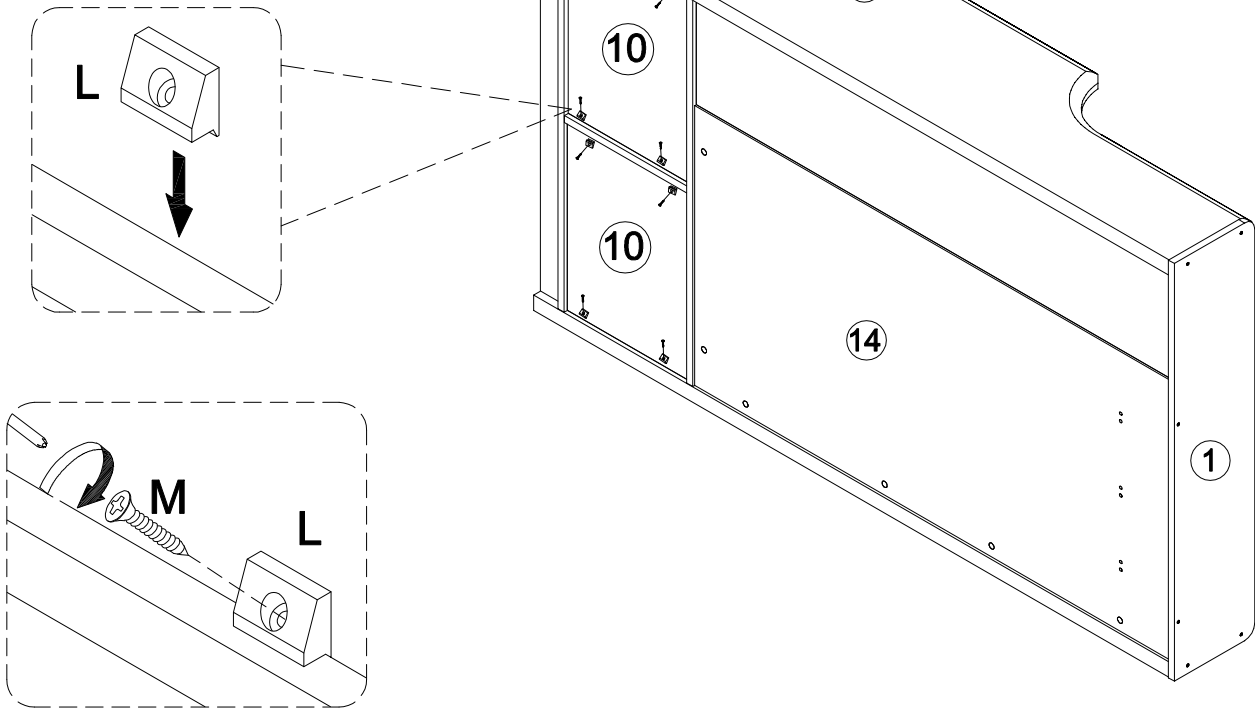
Step 14

D x 26 
--



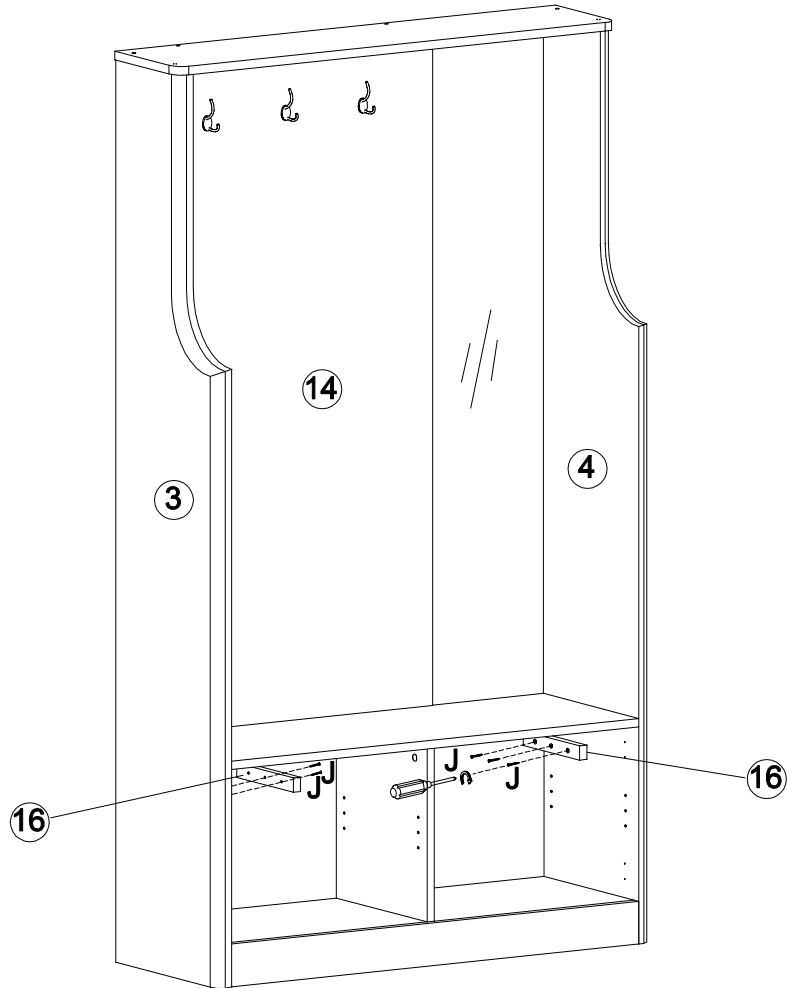
Step 15

L x 8 	M x 8  Ø3x16mm
---	--



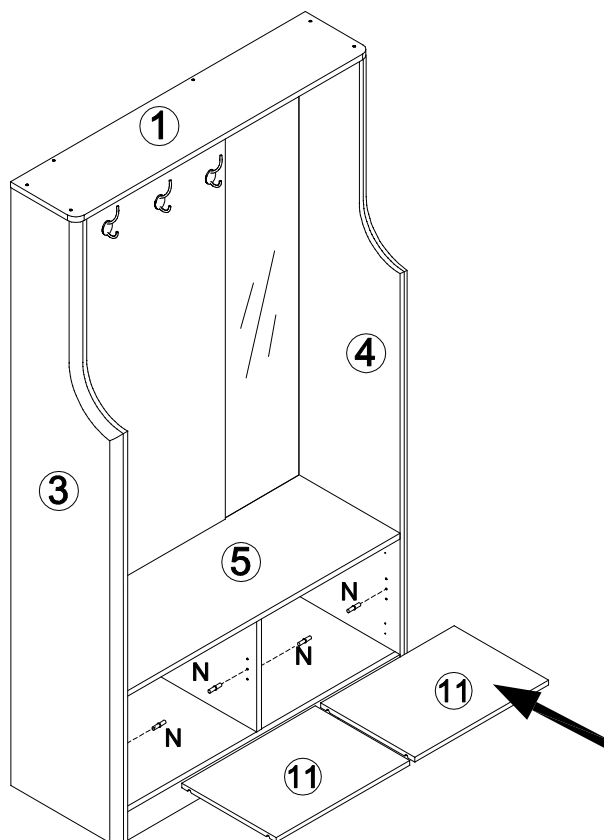
Step 16

J x 6  Ø4x30mm
--



Step 17

N x 8

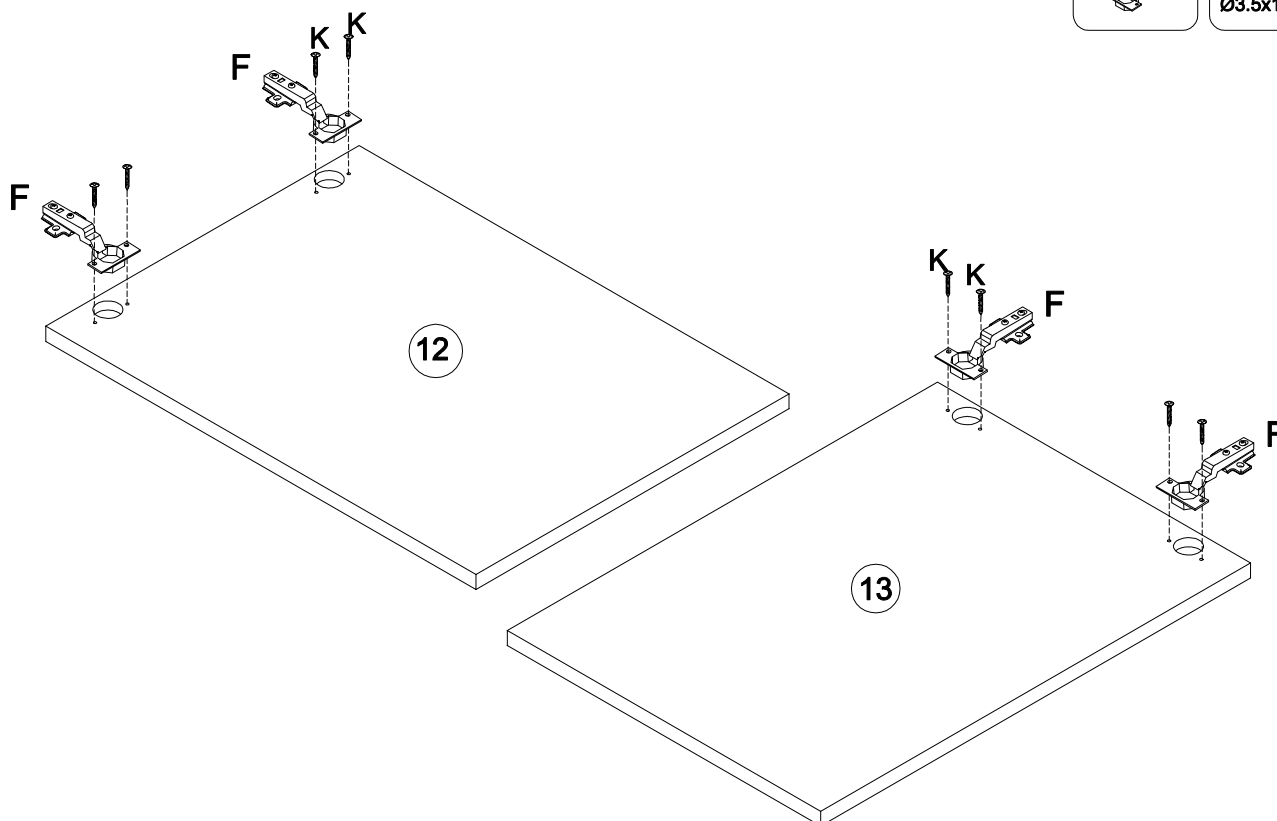


Step 18

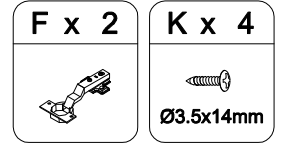
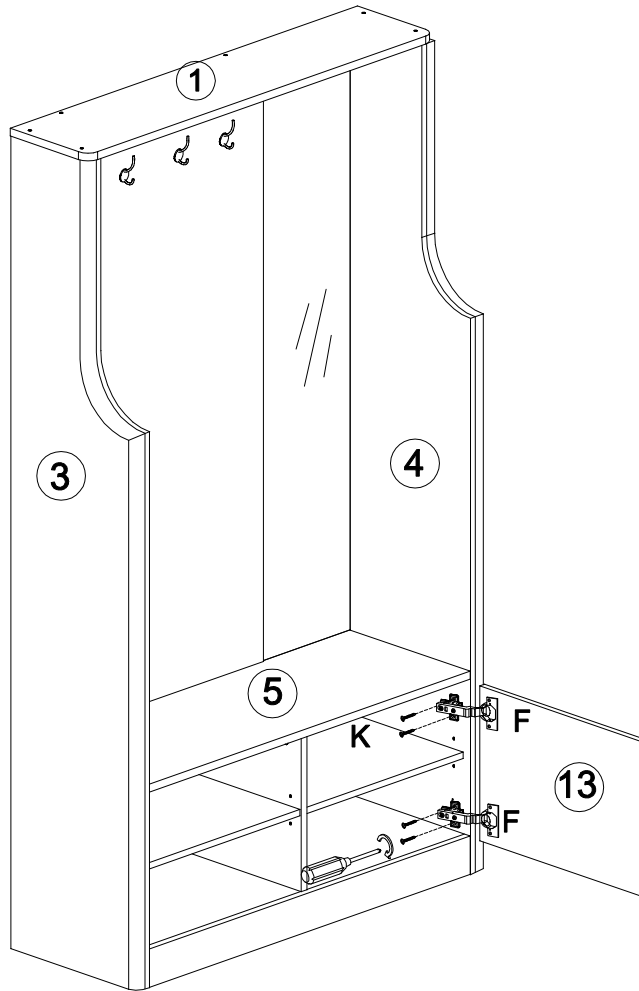
F x 4



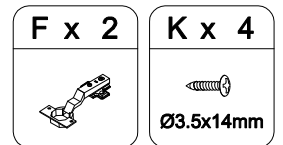
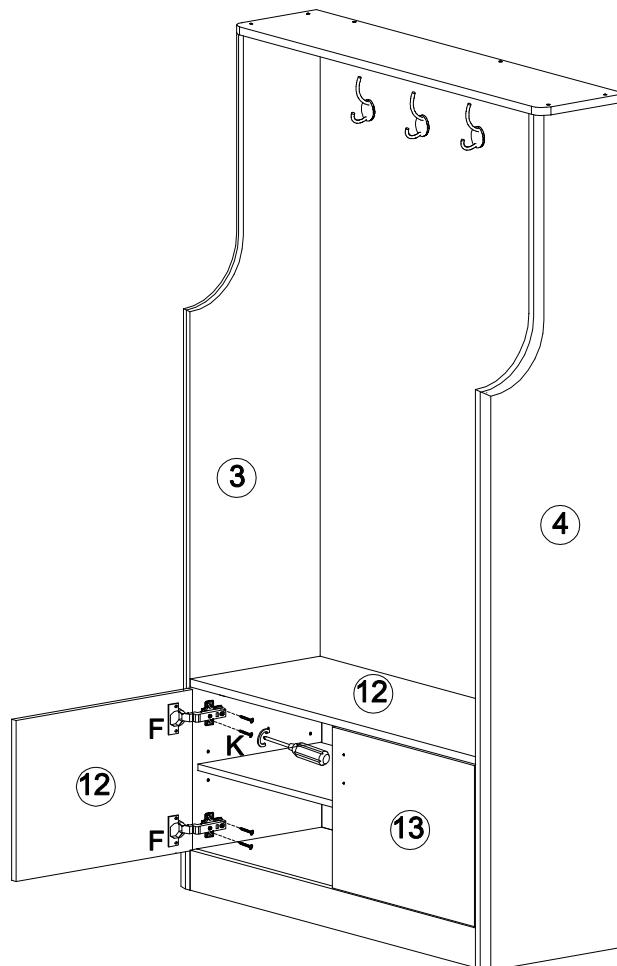
K x 8





Step 19

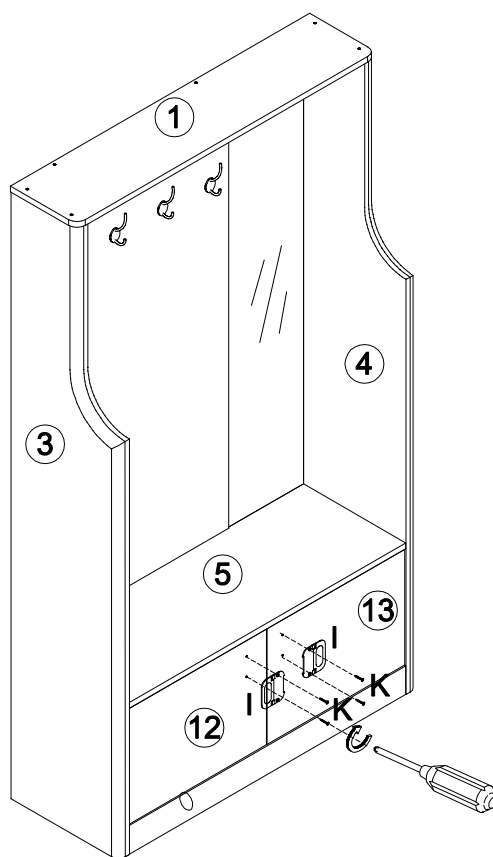


Step 20

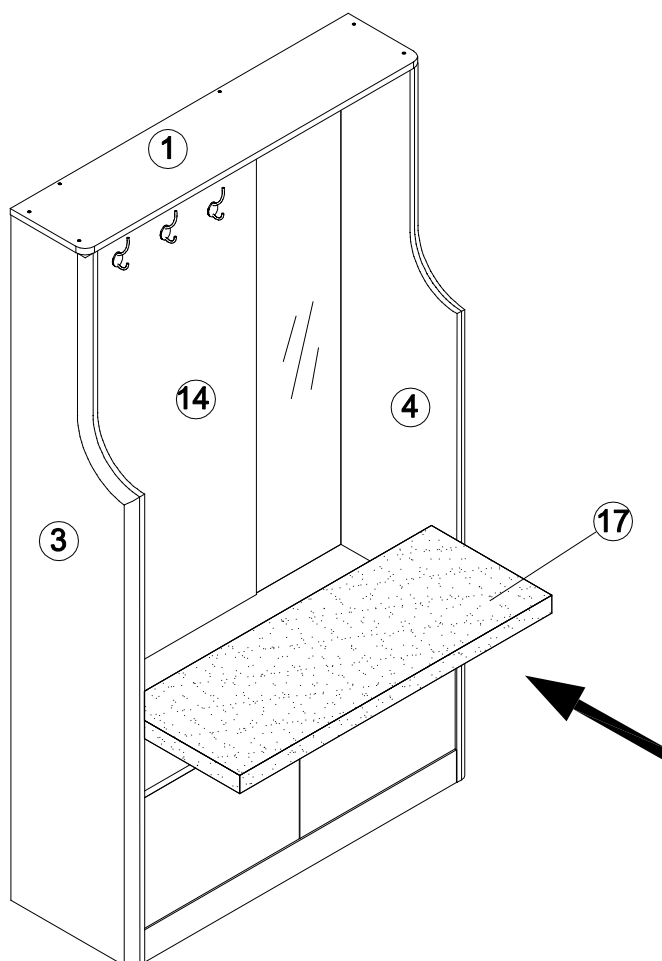


Step 21

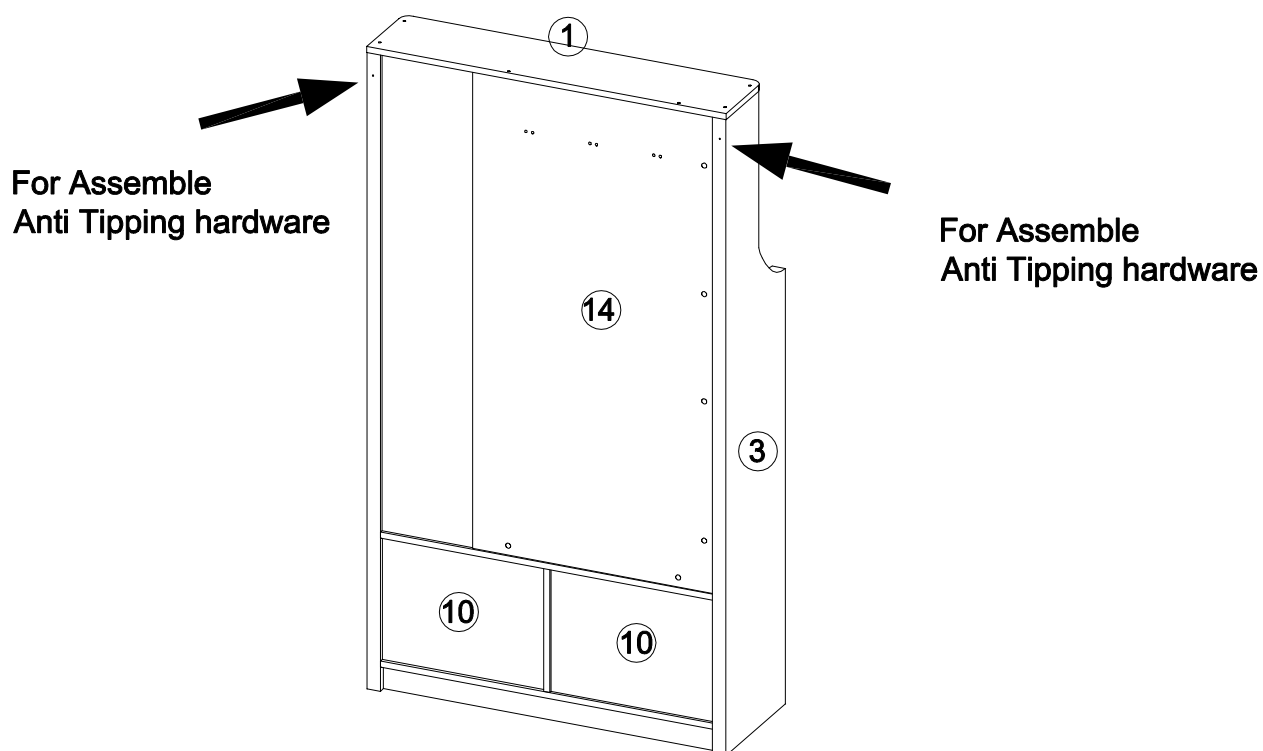
K x 4	I x 2
	
Ø3.5x14mm	



Step 22



Step 23



Step 24

