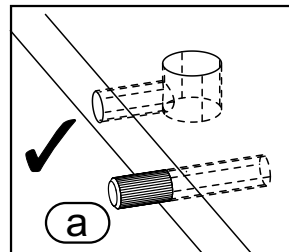
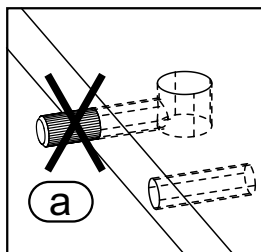
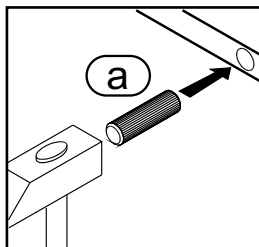
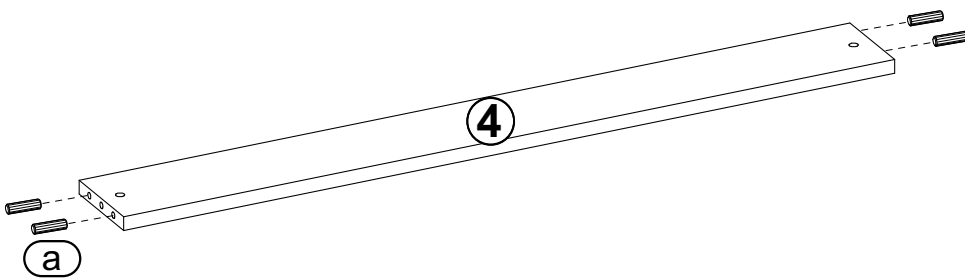
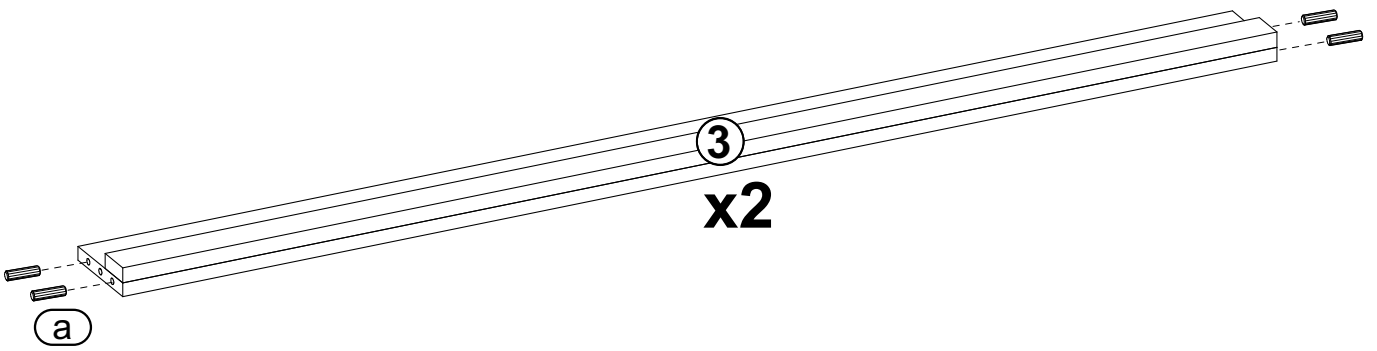
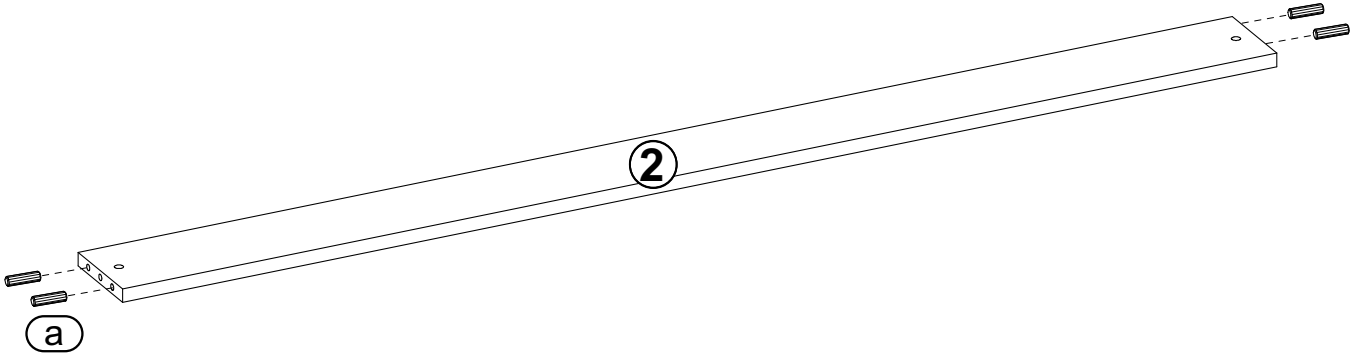
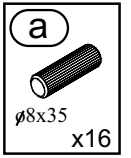
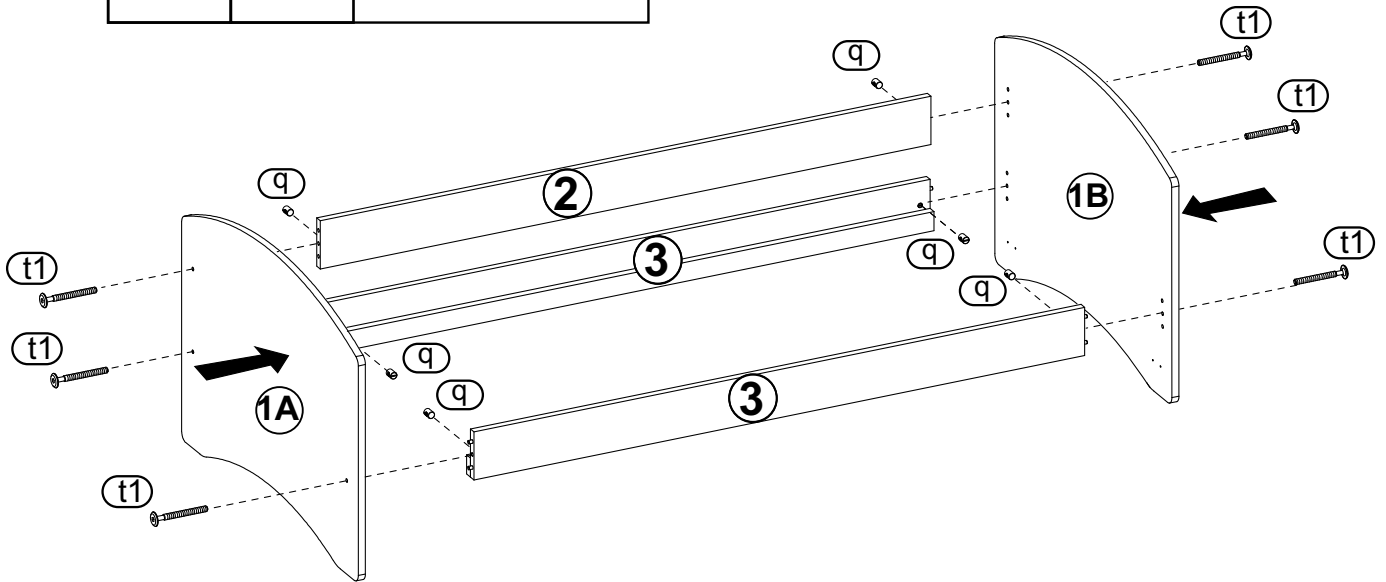
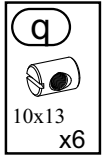
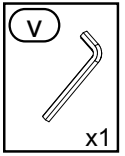
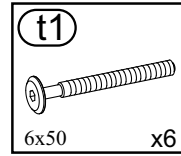
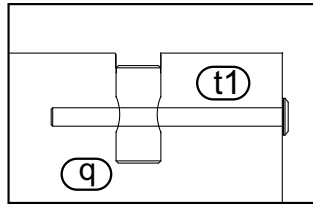
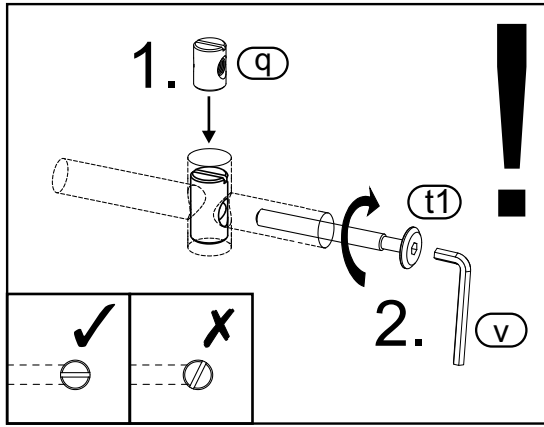


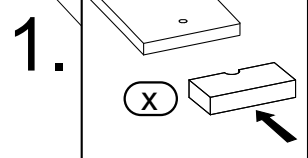
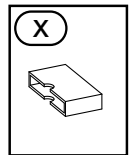
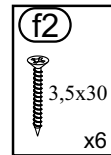
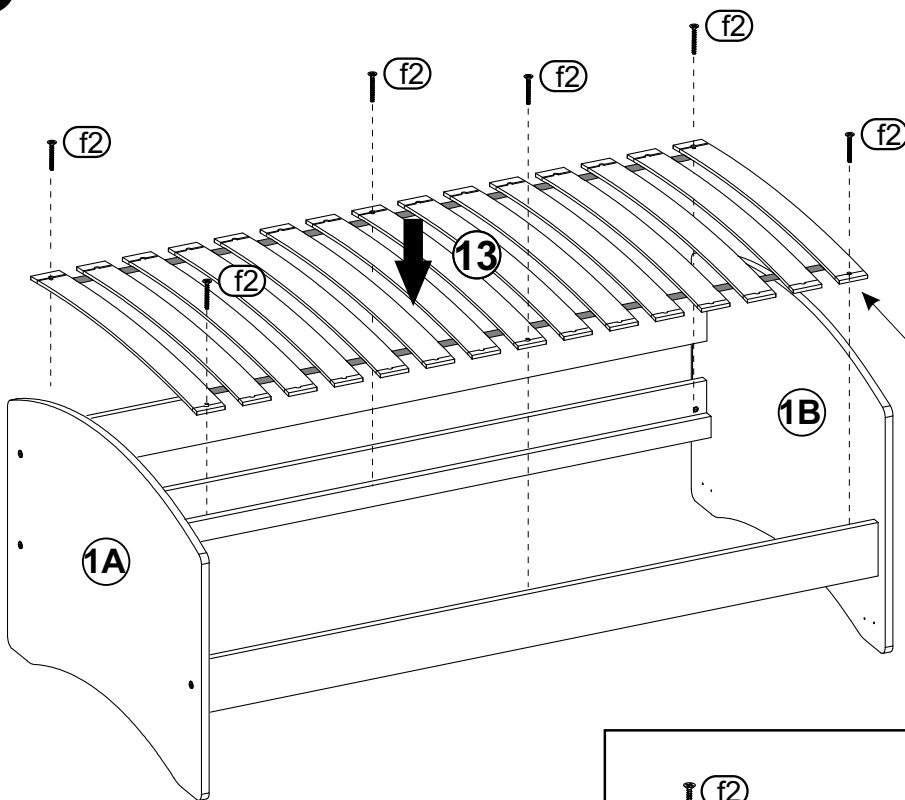
1



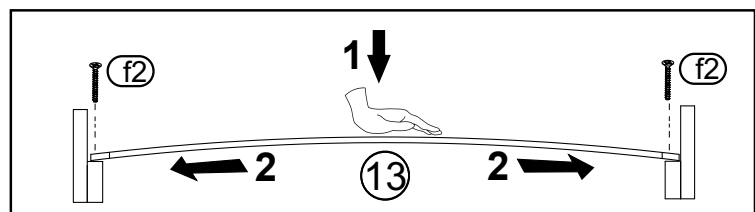
2



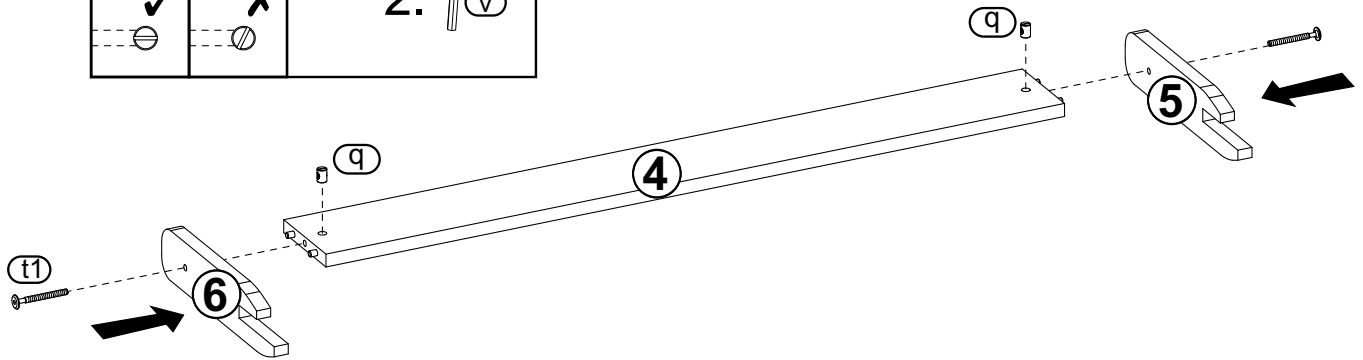
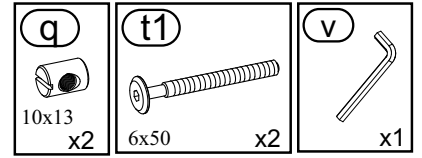
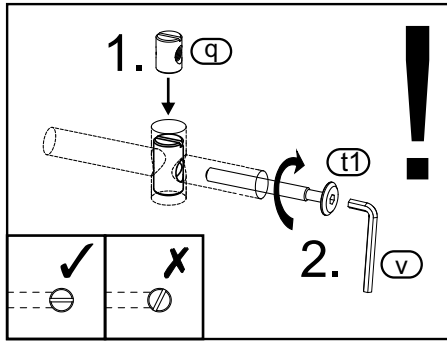
3



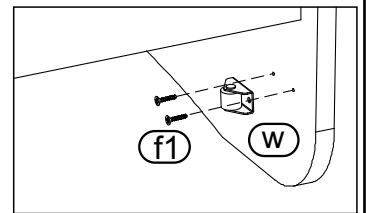
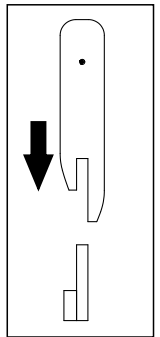
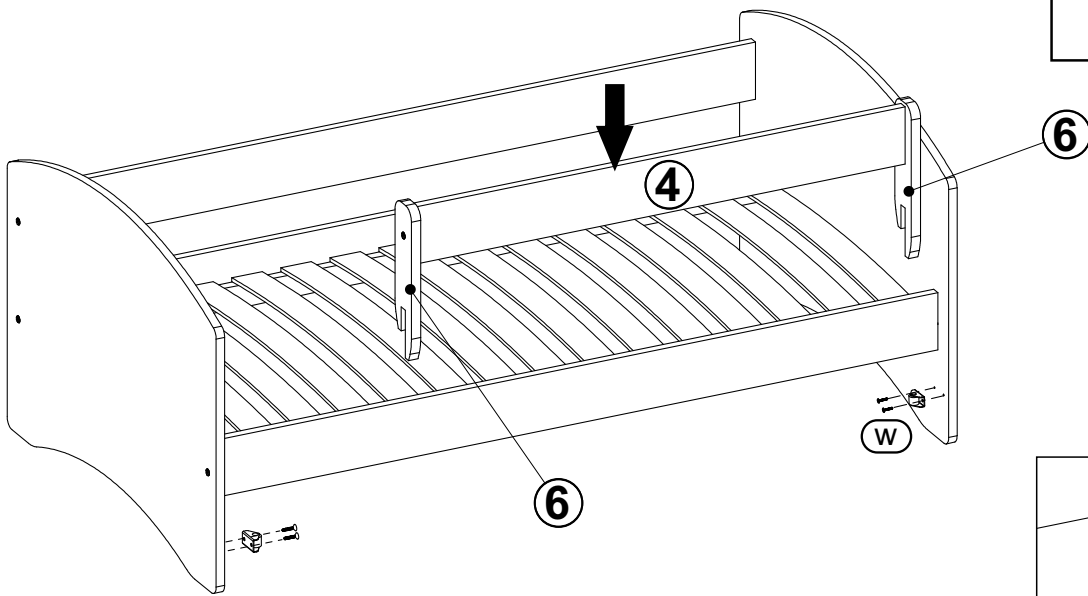
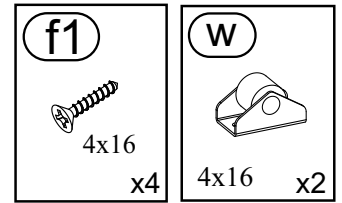
2.



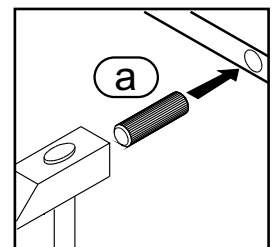
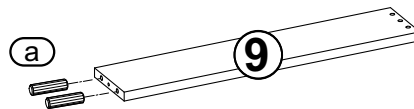
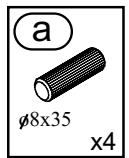
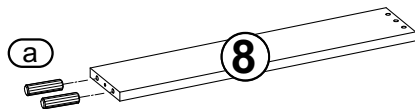
4



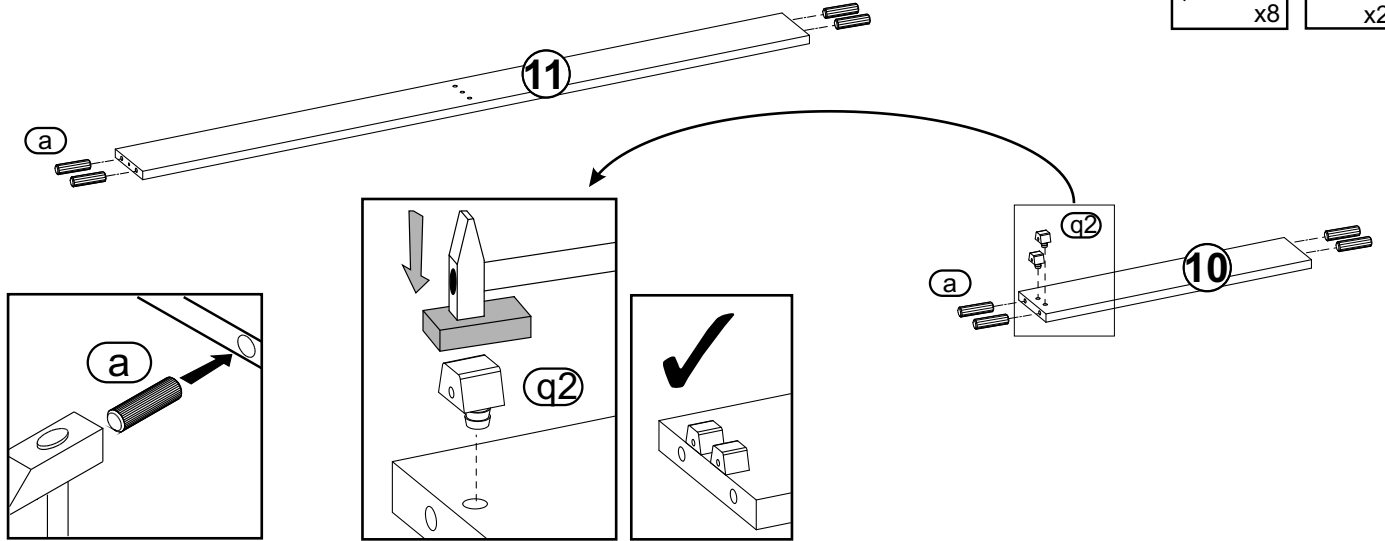
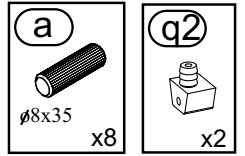
5



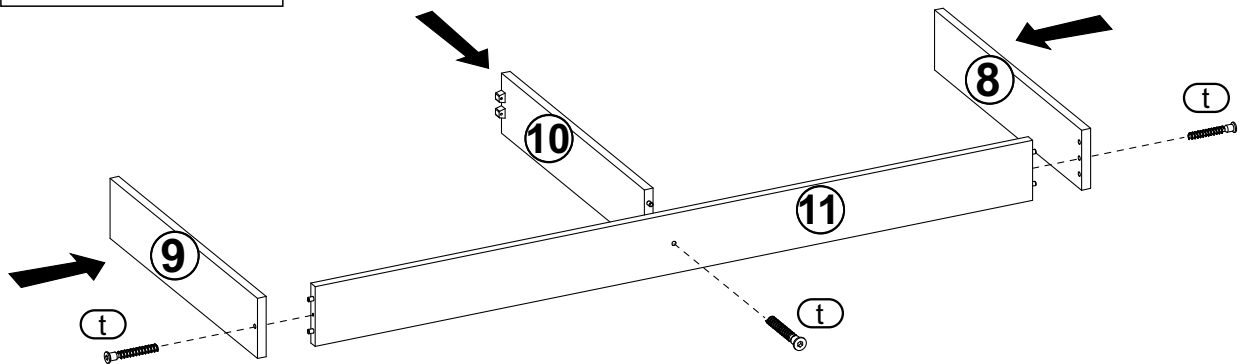
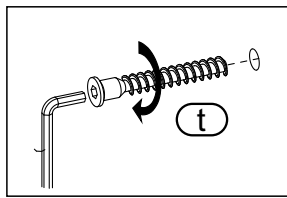
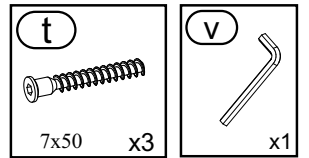
6



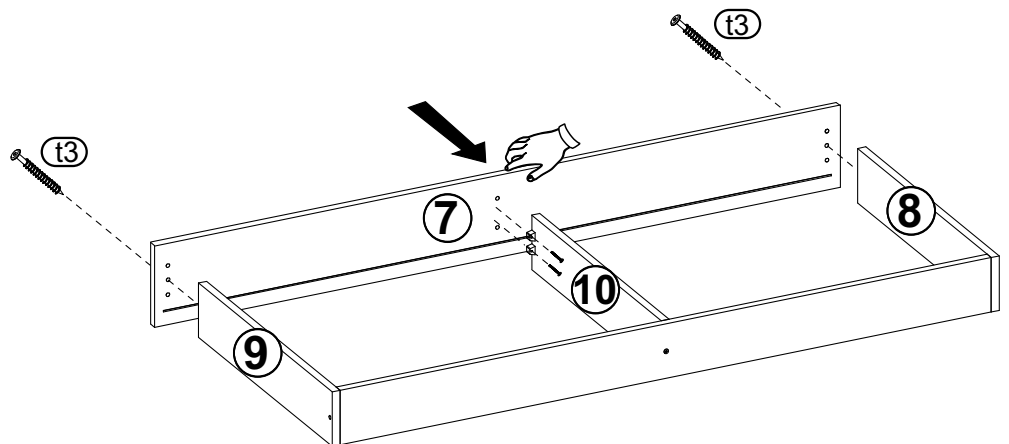
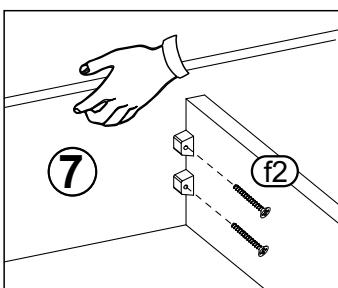
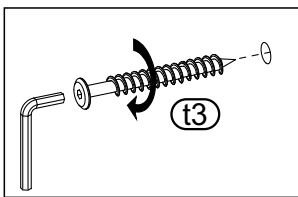
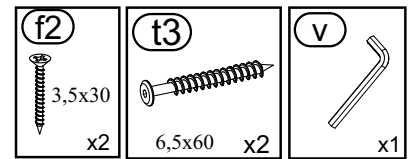
7



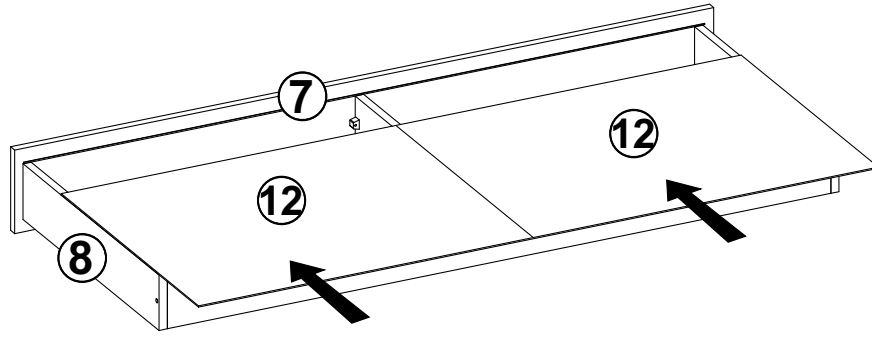
8



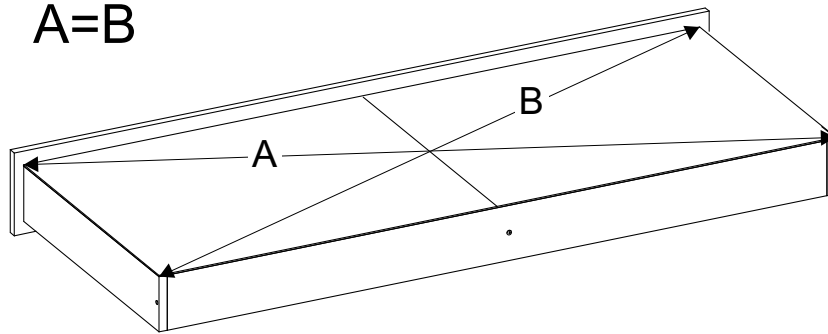
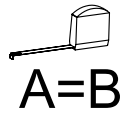
9



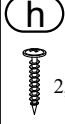
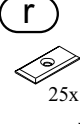
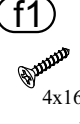

10

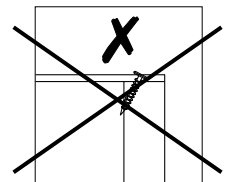
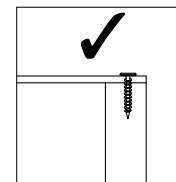
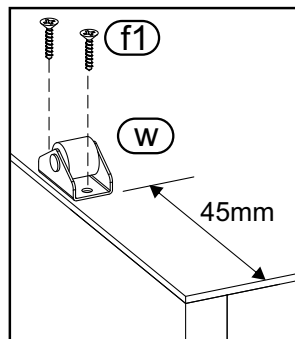
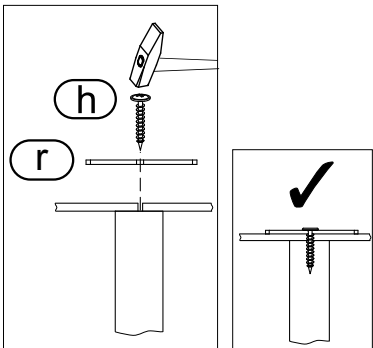
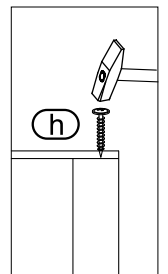
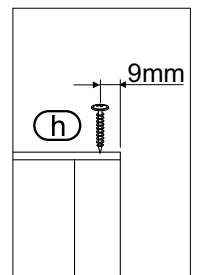
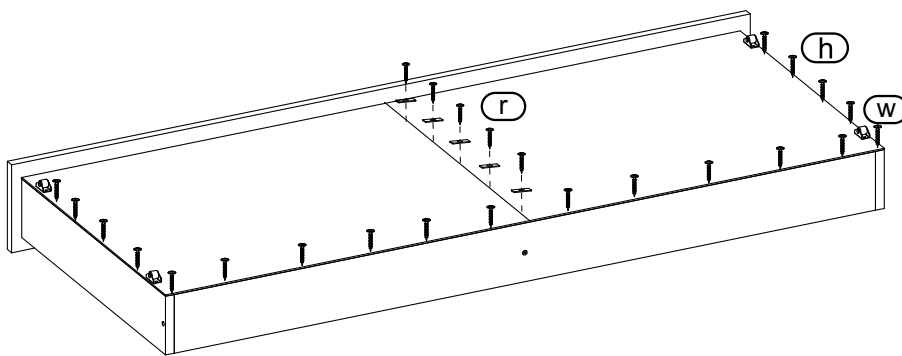


11



12

 h 2,5x25 x25	 r 25x12 x5	 f1 4x16 x8	 w 4x16 x4
---	---	---	--



13

