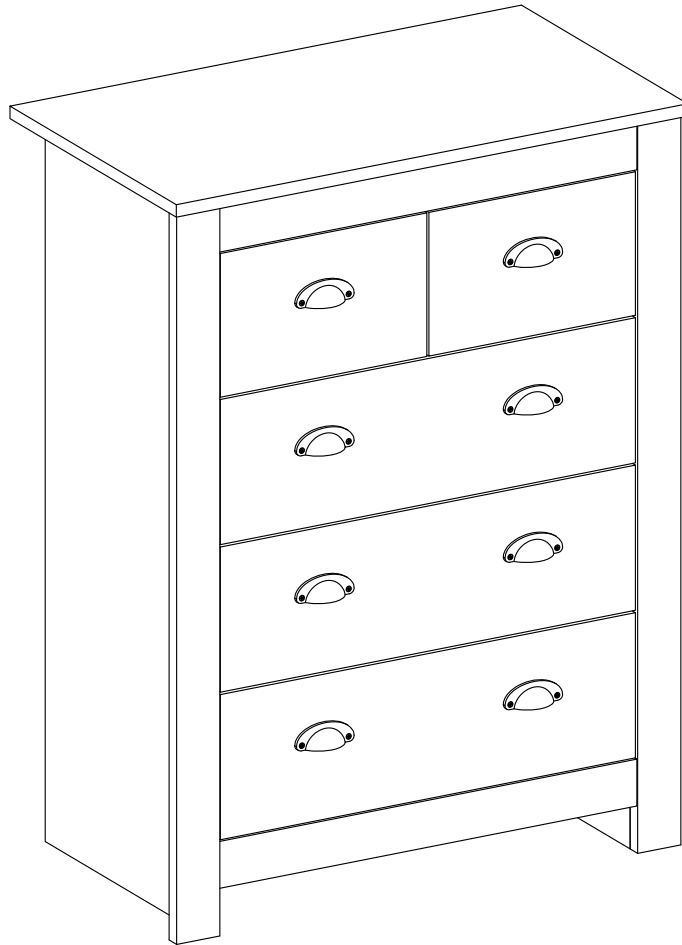





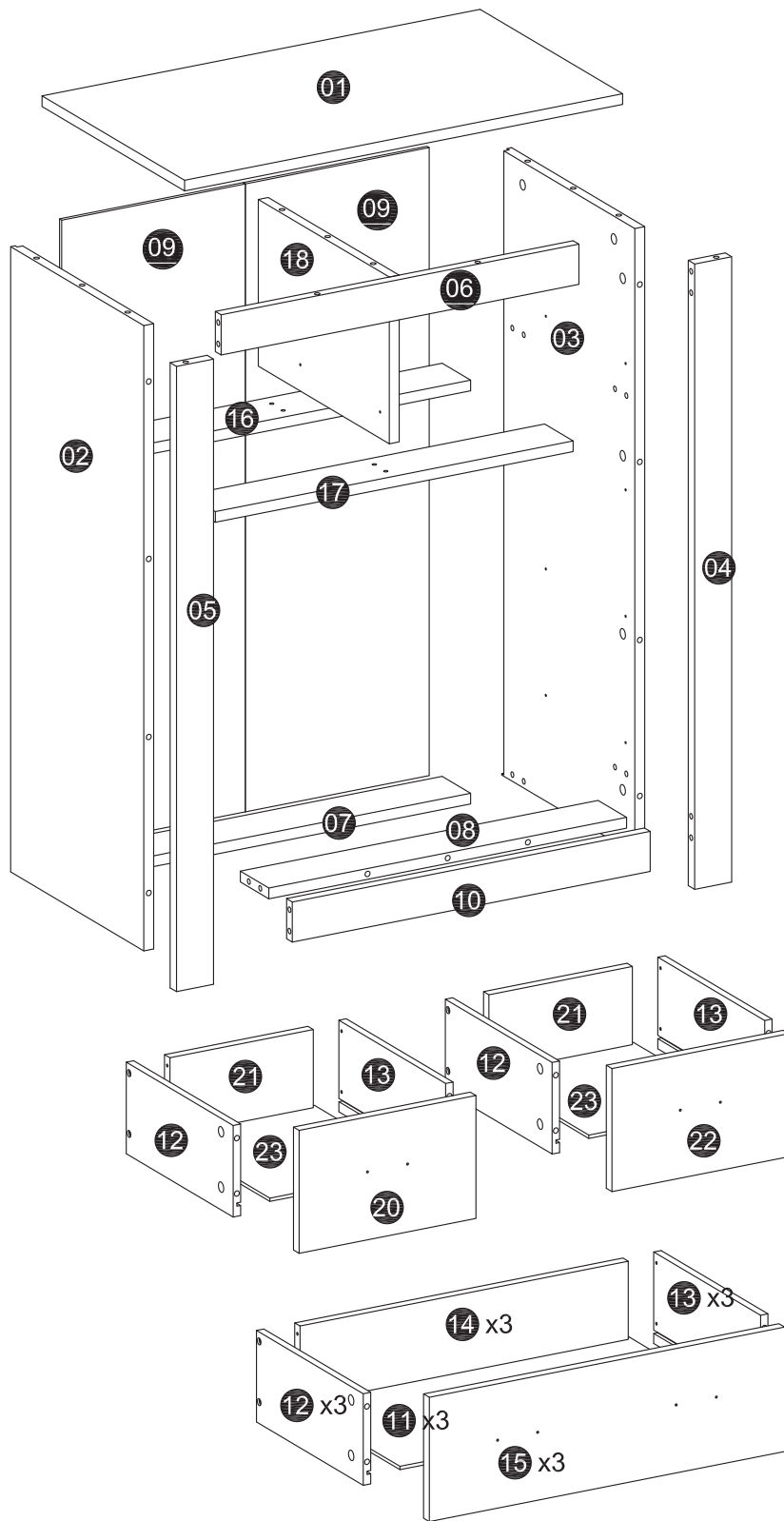
3+2 Drawers chest

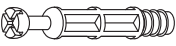

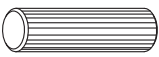
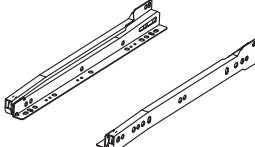
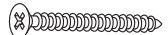
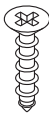

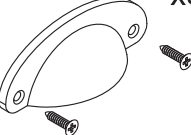

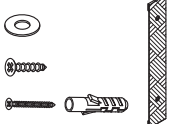
USER MANUAL | MODE D'EMPLOI | MANUAL DEL USUARIO | GEBRAUCHSANLEITUNG |
GEBRUIKSHANDLEIDING | MANUALE PER L'UTENTE | MANUAL DO UTILIZADOR



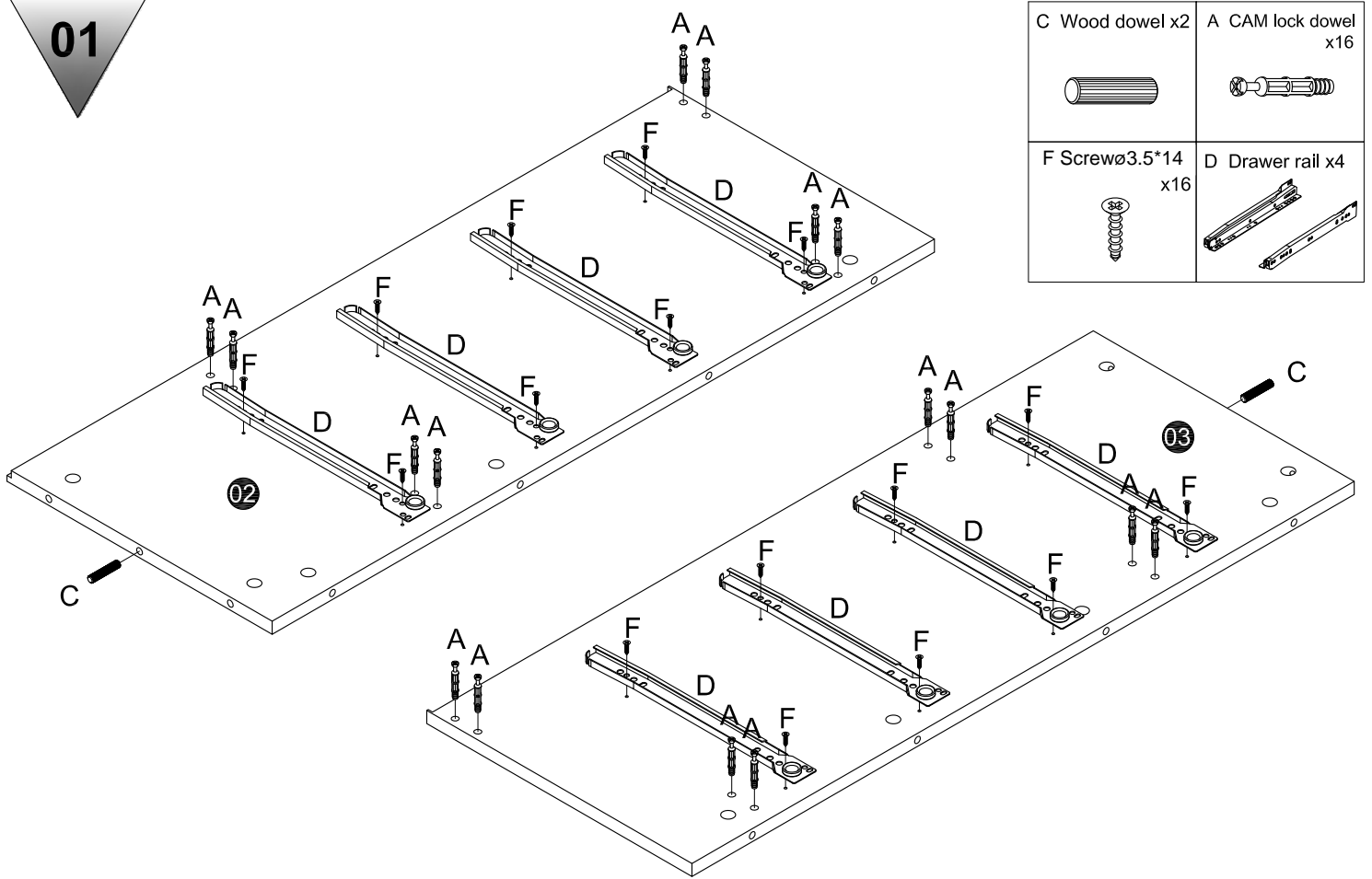
	<p>Please keep your original packages , due to health and safety reasons , we cannot accept returns without original packages .</p> 	
---	--	---

We will resolve the issues for you within 1 working day!



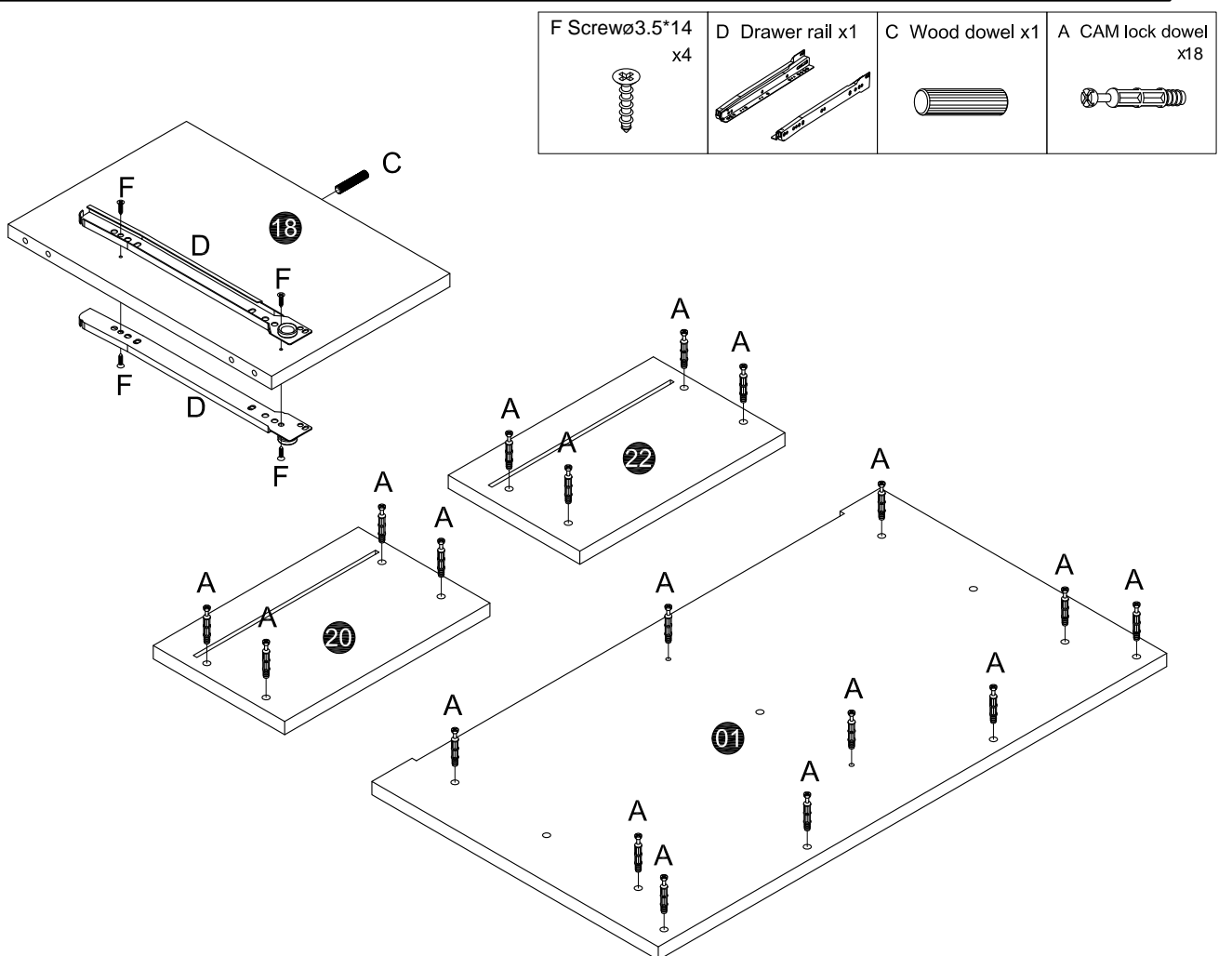
<p>A CAM lock dowel x60</p> 	<p>B CAM lock x60</p> 	<p>C Wood dowel x8</p> 	<p>D Drawer rail x5</p> 	<p>E Screw $\varnothing 3.5 \times 35$ x24</p> 
<p>F Screw $\varnothing 3.5 \times 14$ x40</p> 	<p>G Nail</p> 	<p>H Handle & Screw x8</p> 	<p>I Nail Leg x4</p> 	<p>J Anti-falling accessory x1</p> 

01




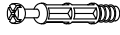
C Wood dowel x2	A CAM lock dowel x16
F Screw $\varnothing 3.5 \times 14$ x16	D Drawer rail x4

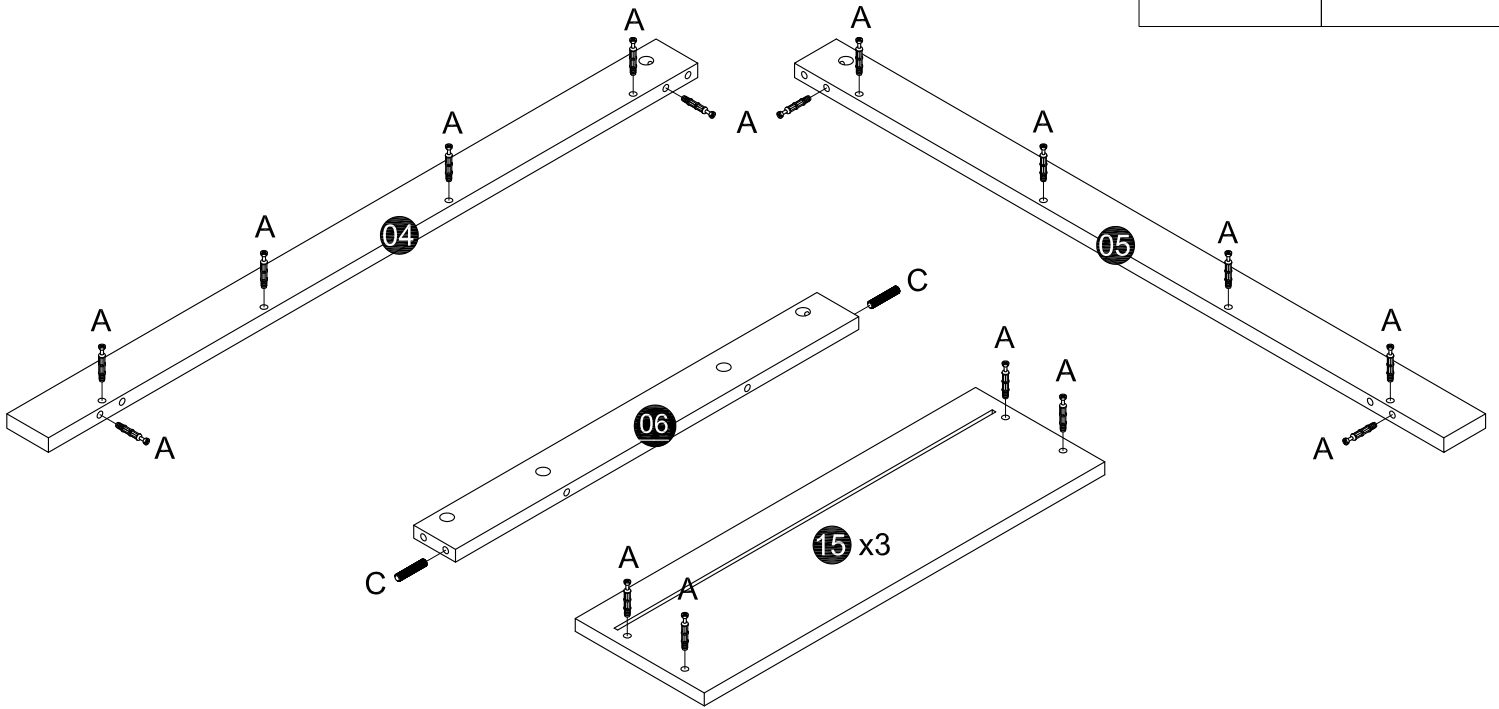
02






F Screw $\varnothing 3.5 \times 14$ x4	D Drawer rail x1	C Wood dowel x1	A CAM lock dowel x18
--	------------------	-----------------	----------------------

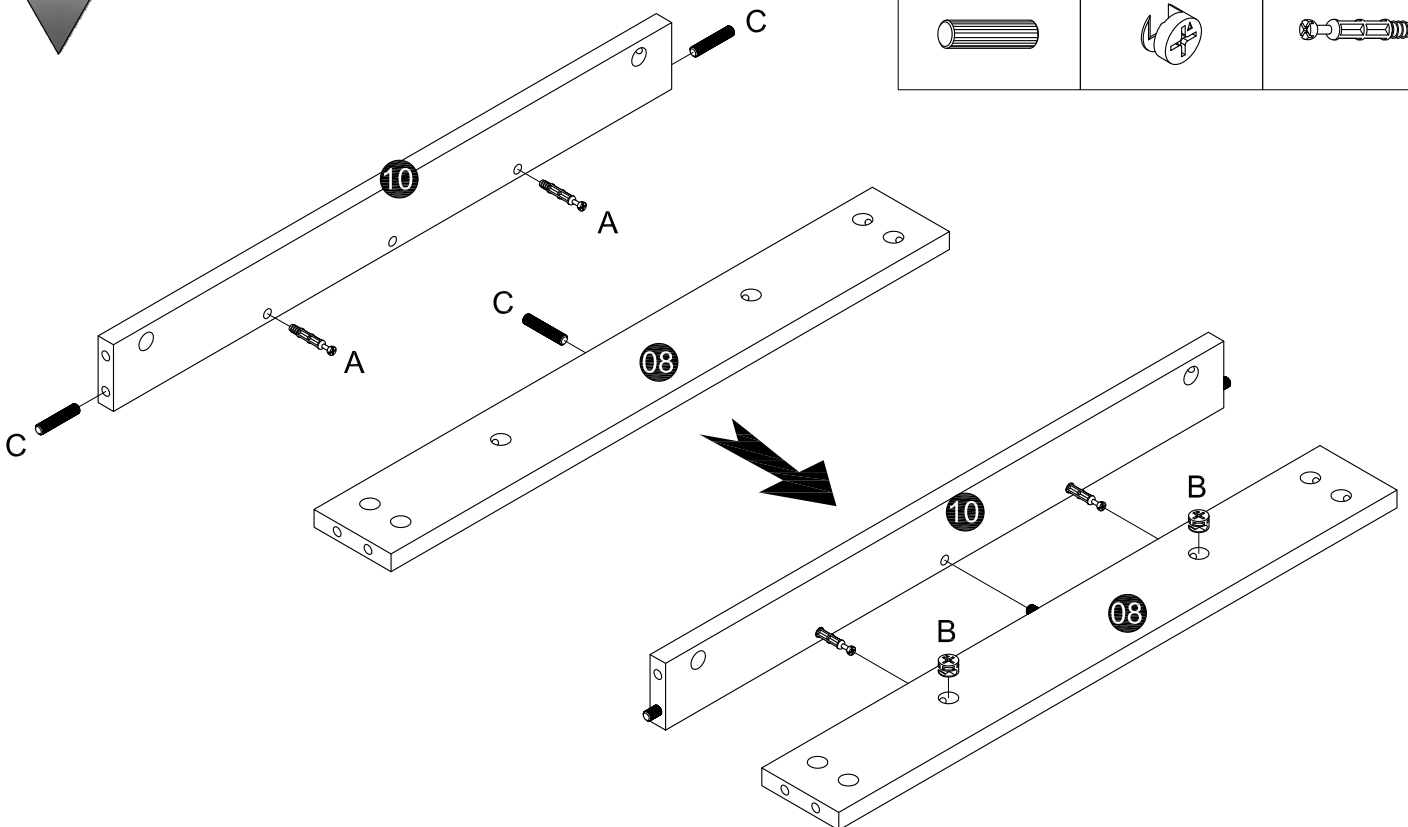
03

C Wood dowel x2	A CAM lock dowel x24
	

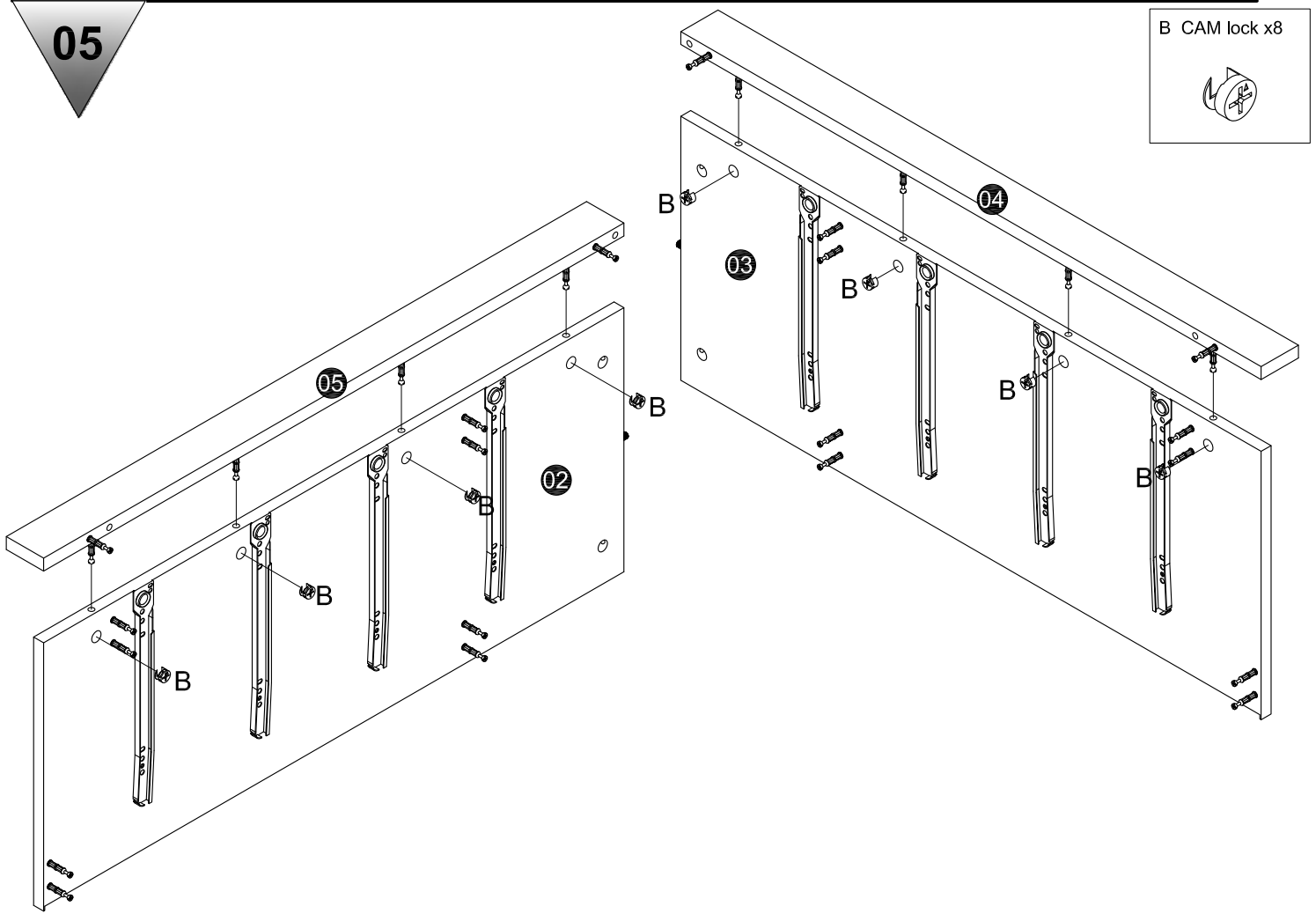


04

C Wood dowel x3	B CAM lock x2	A CAM lock dowel x2
		



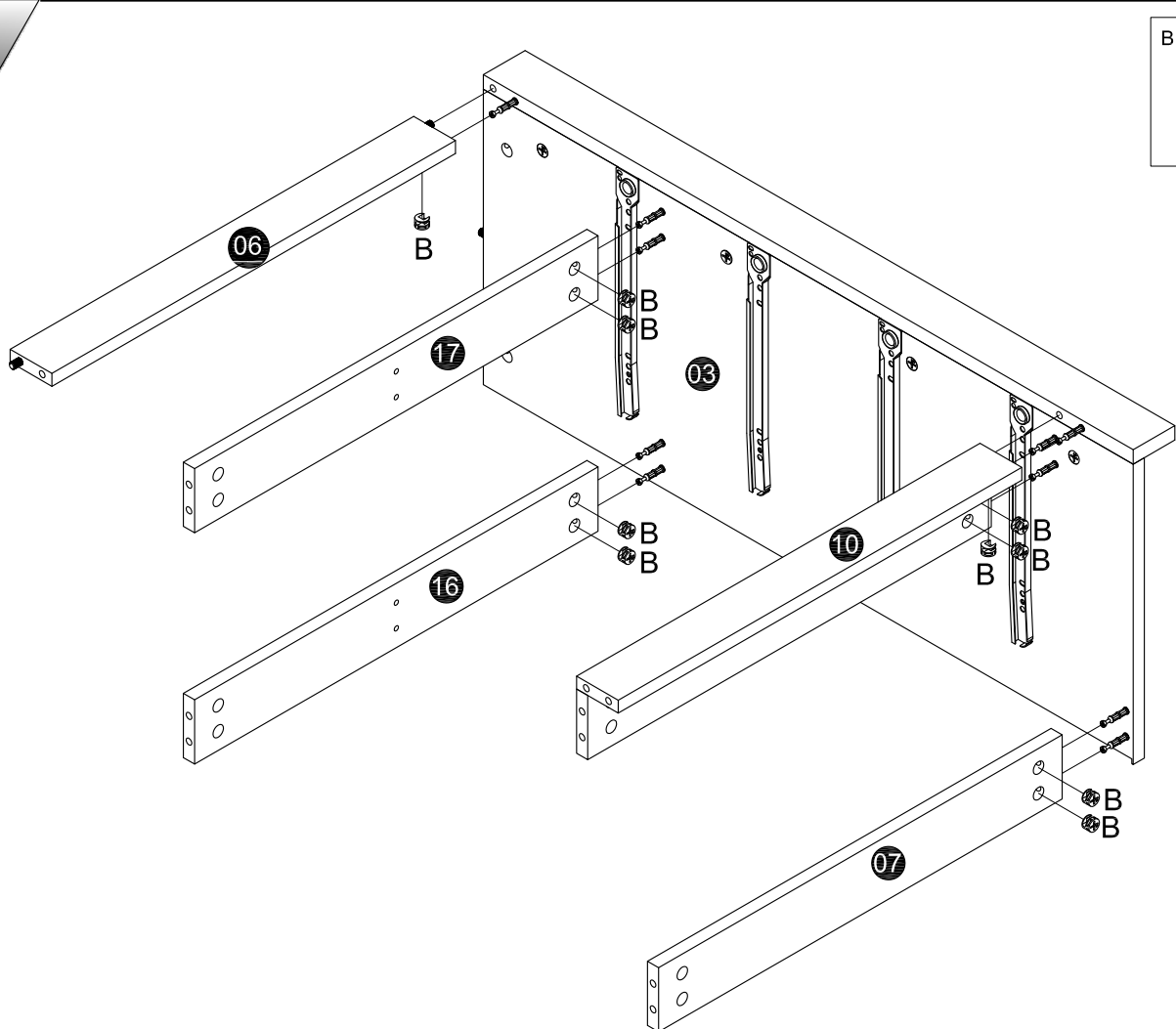
05



B CAM lock x8



06

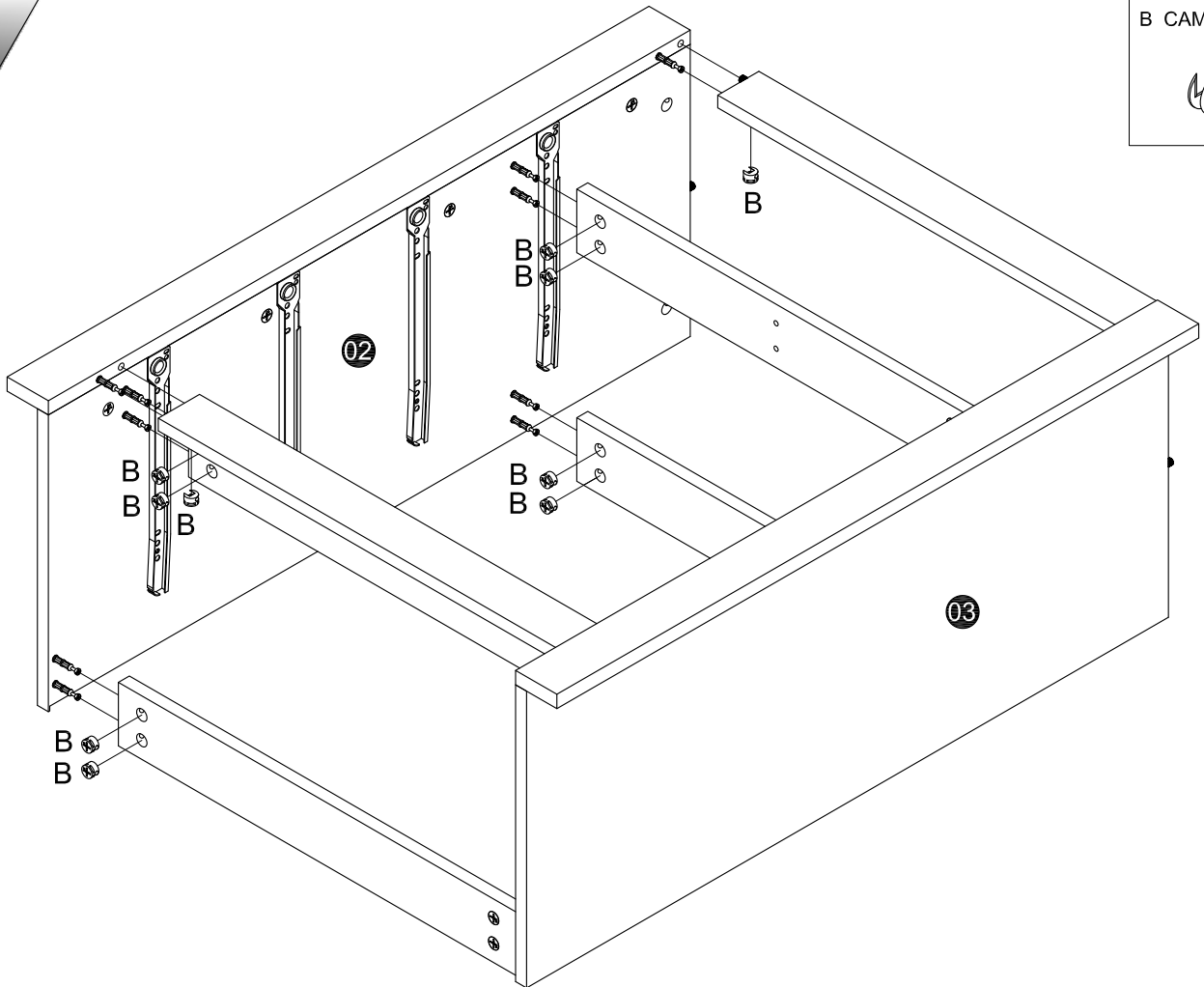


B CAM lock x10



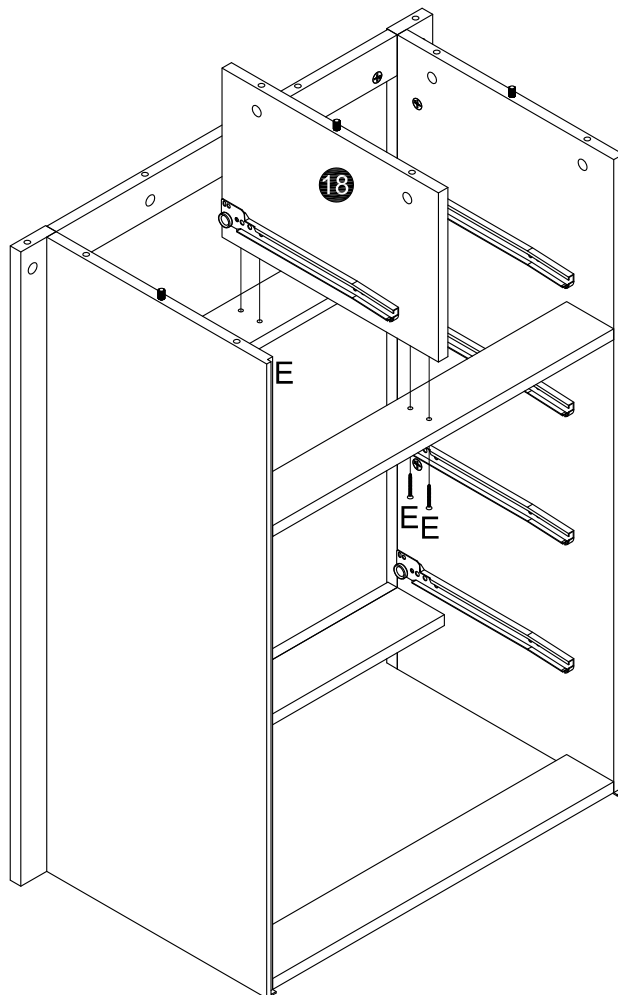
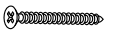
07

B CAM lock x10



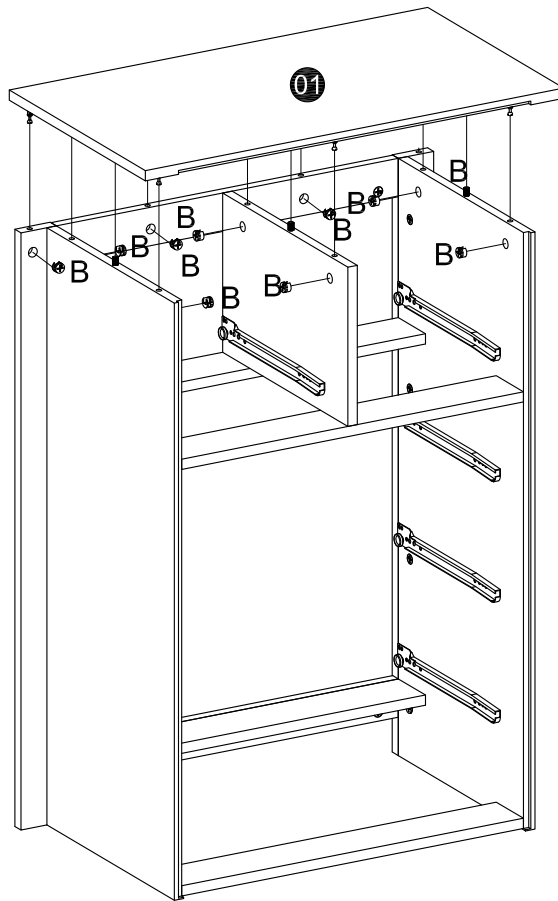
08

E Screw $\varnothing 3.5 \times 35$
x4



09

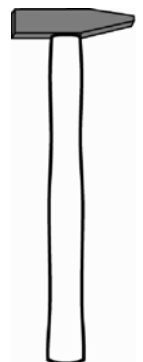
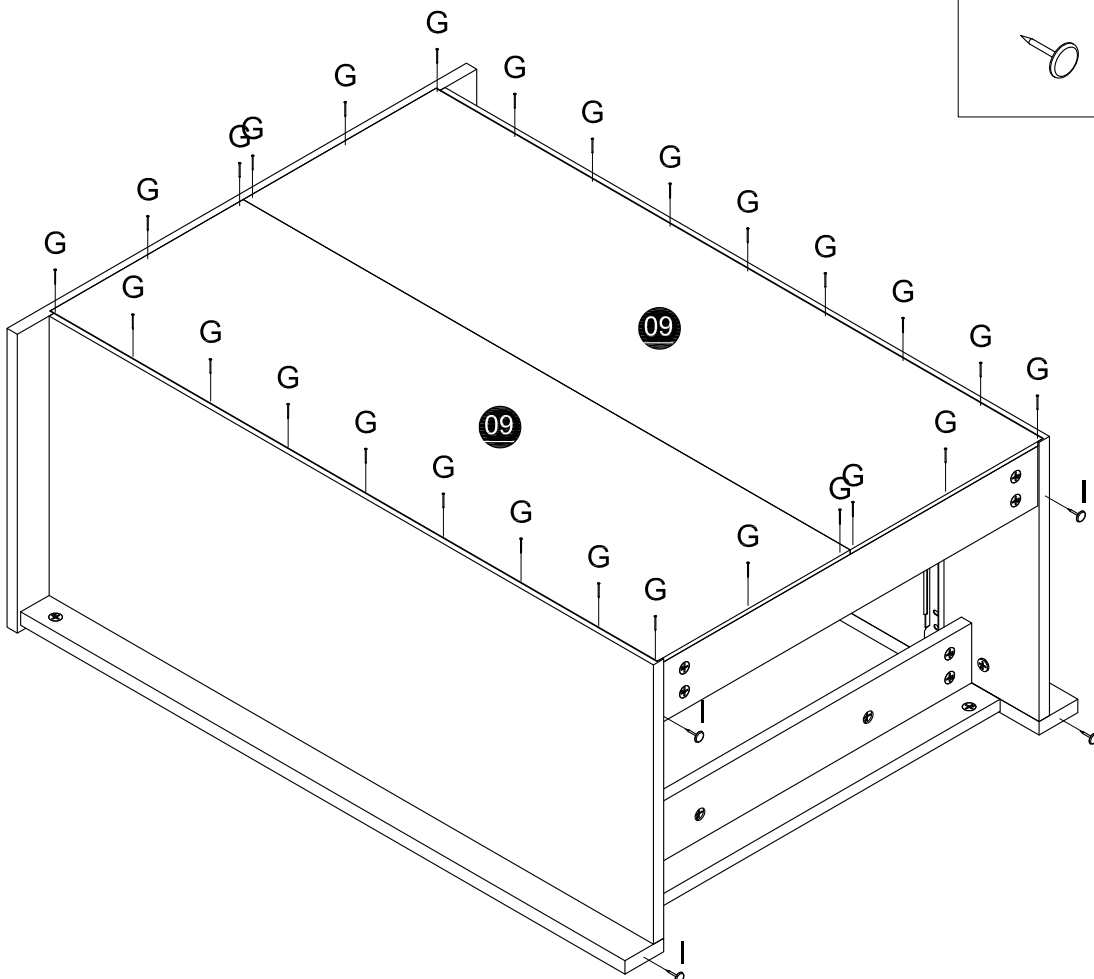
B CAM lock x10



10

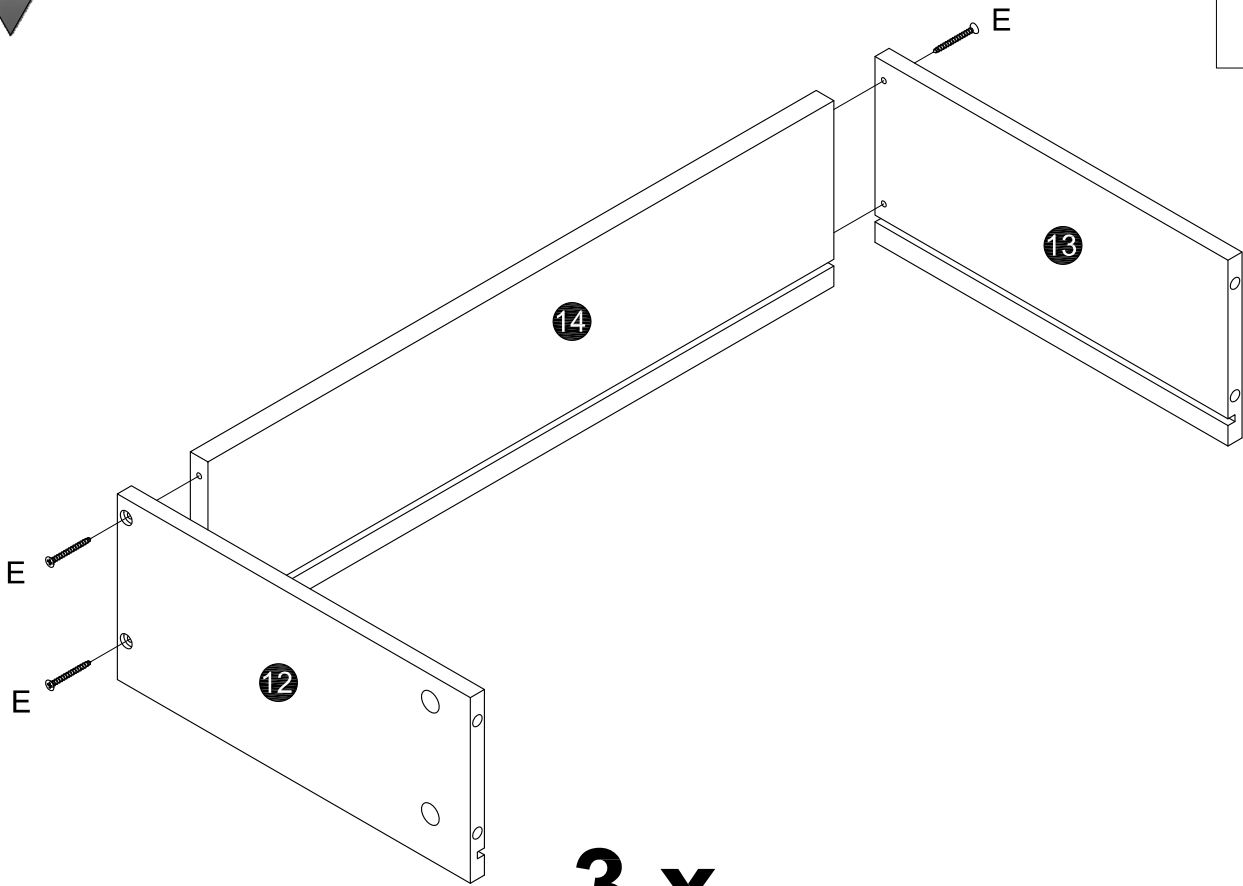
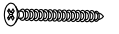
I Nail Leg x4

G Nail



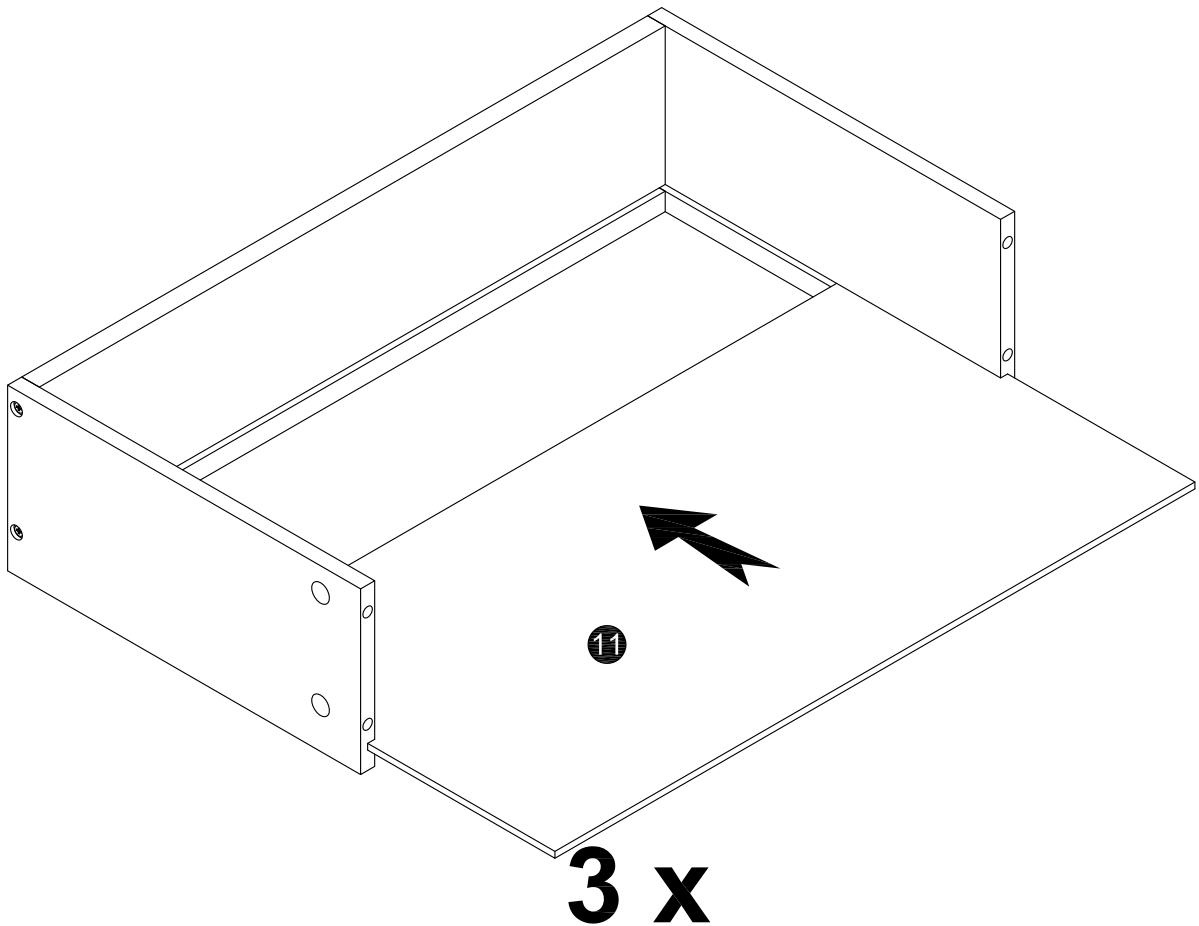
11

E Screw $\varnothing 3.5 \times 35$
x12



3 x

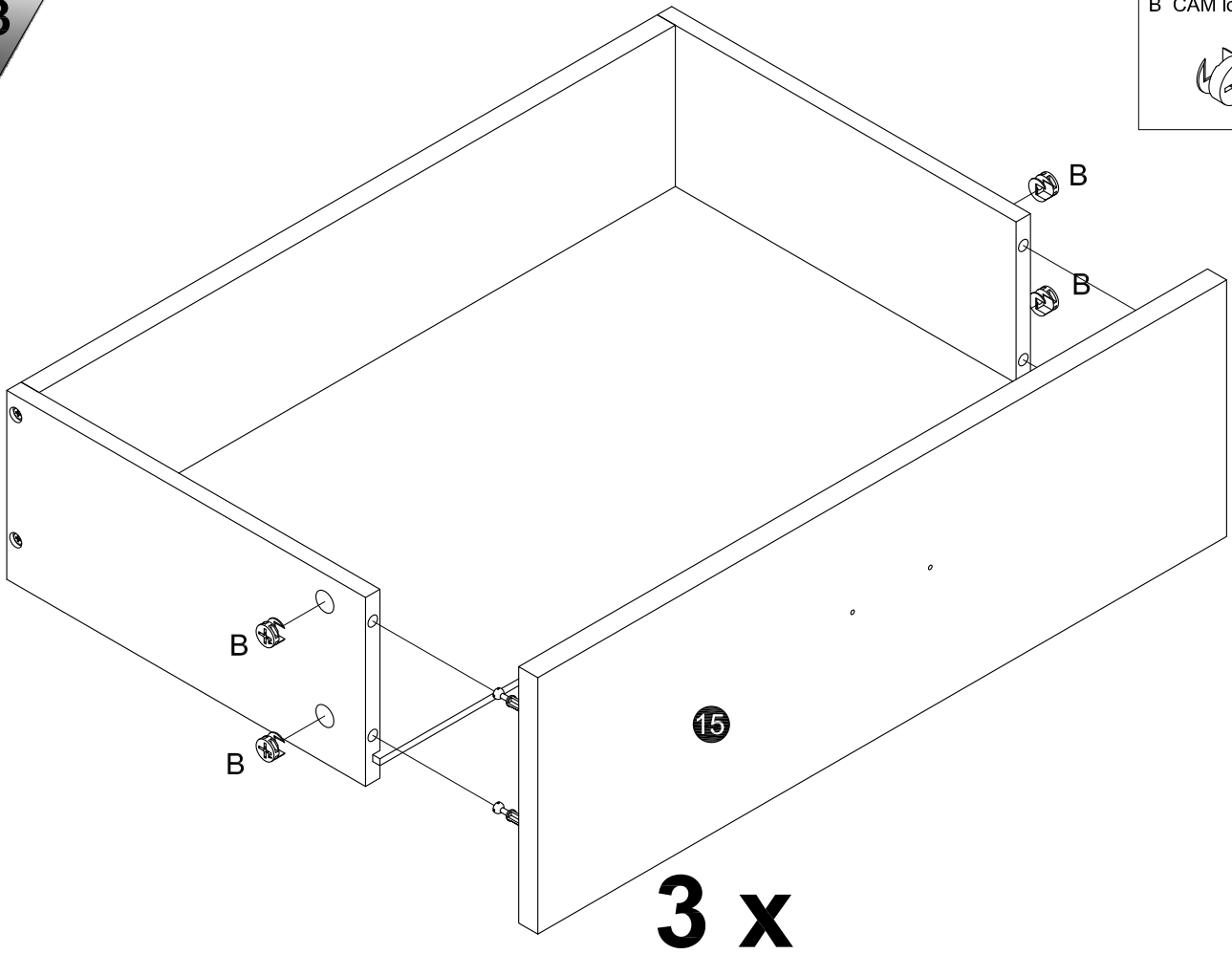
12



3 x

13

B CAM lock x12

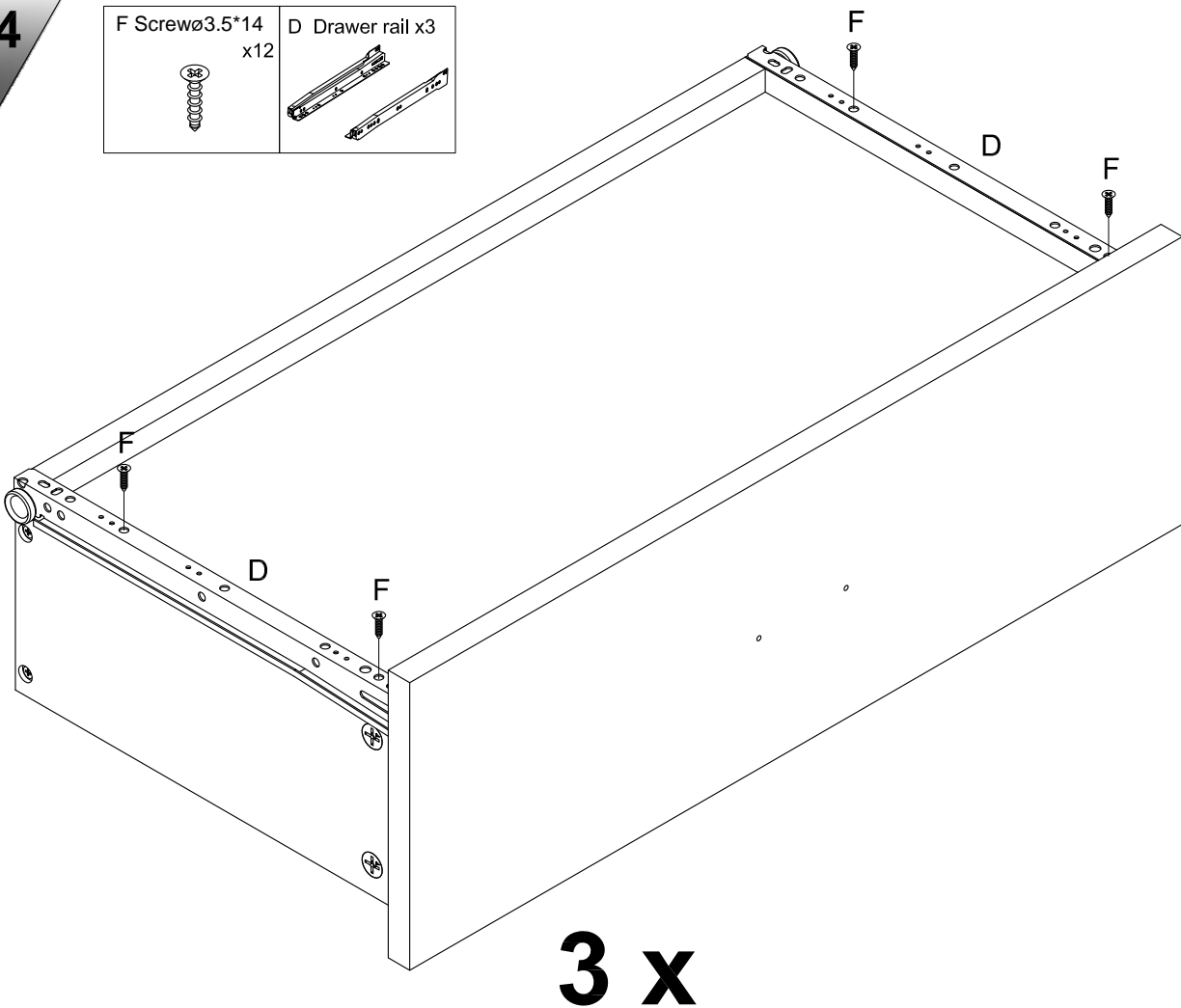
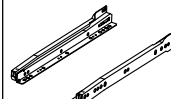


14

F Screw $\varnothing 3.5 \times 14$
x12



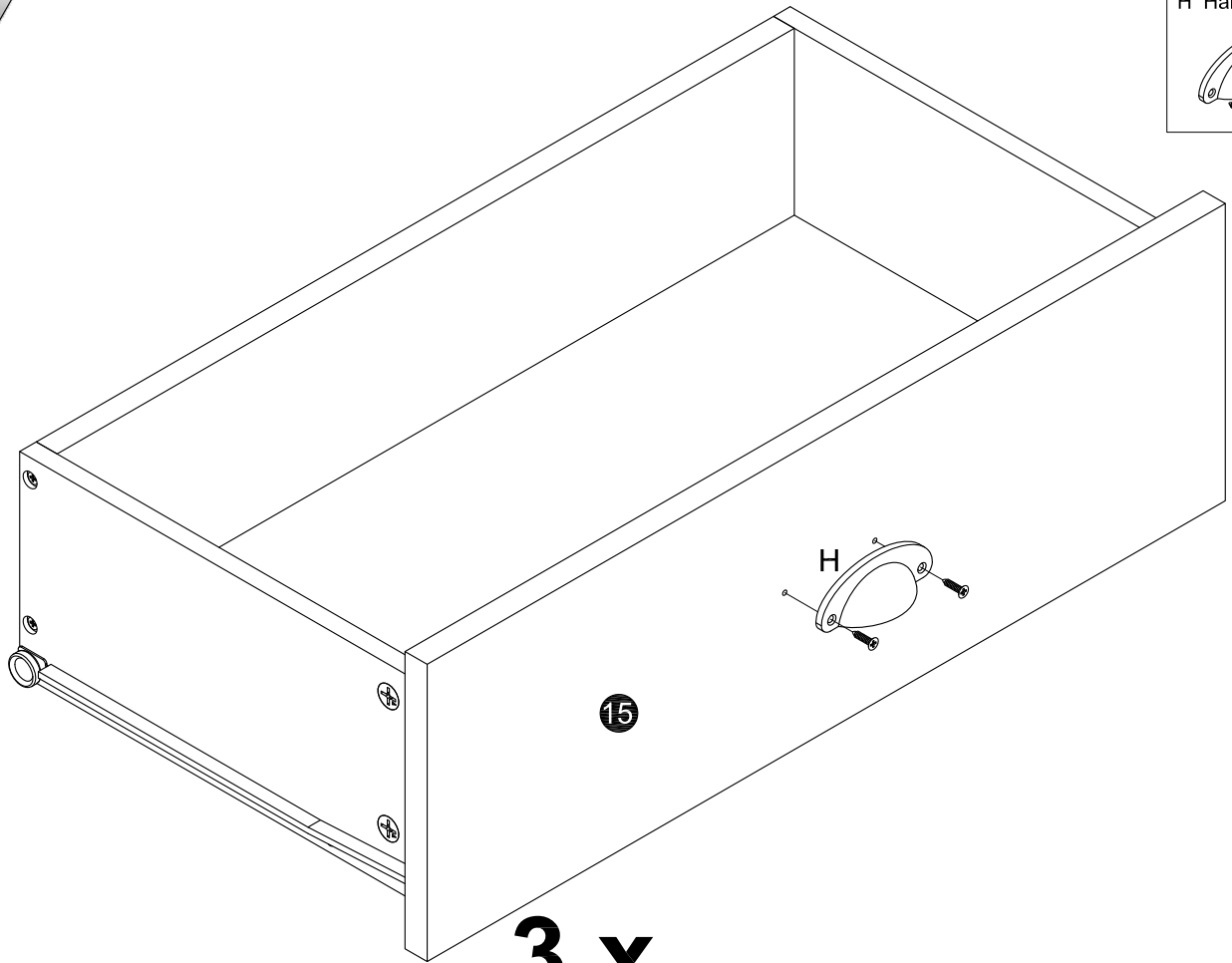
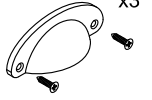
D Drawer rail x3



15

H Handle&Screw

x3

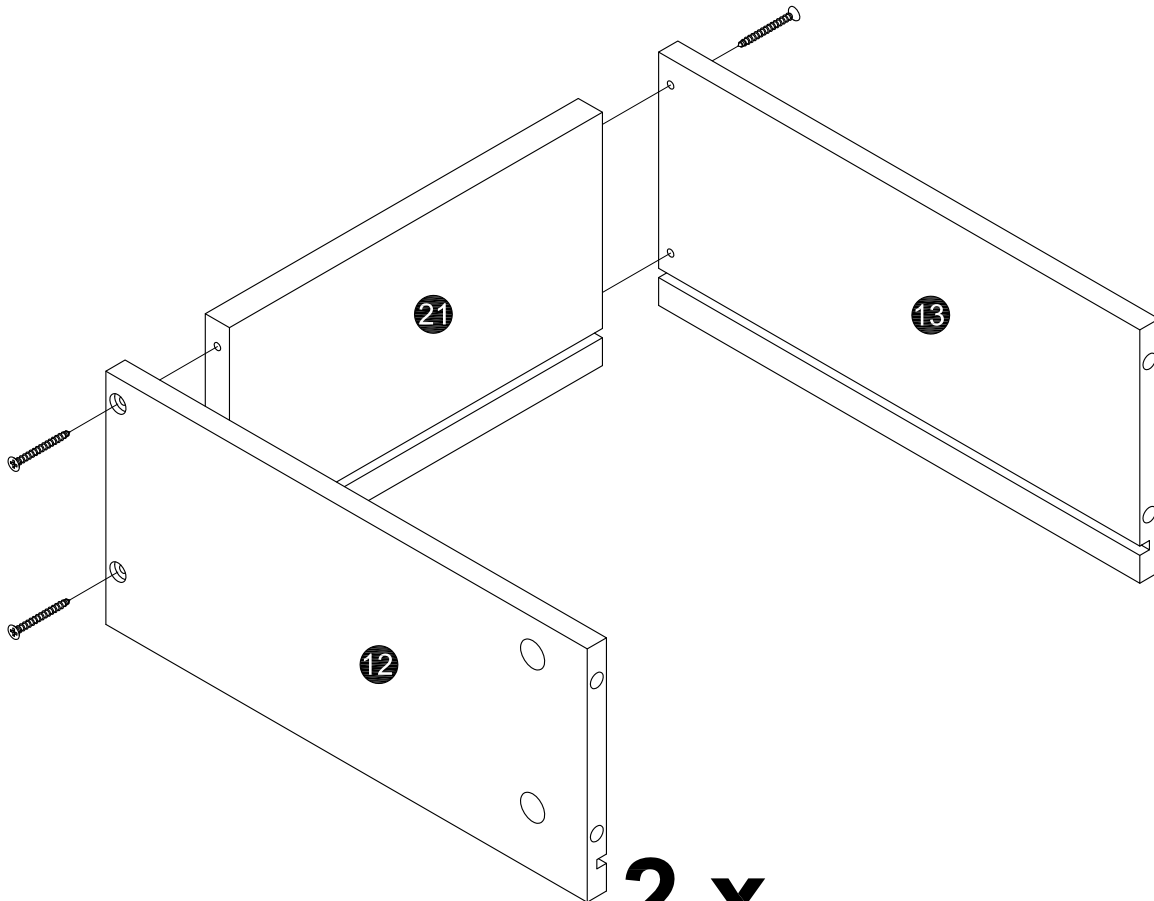
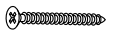


3 x

16

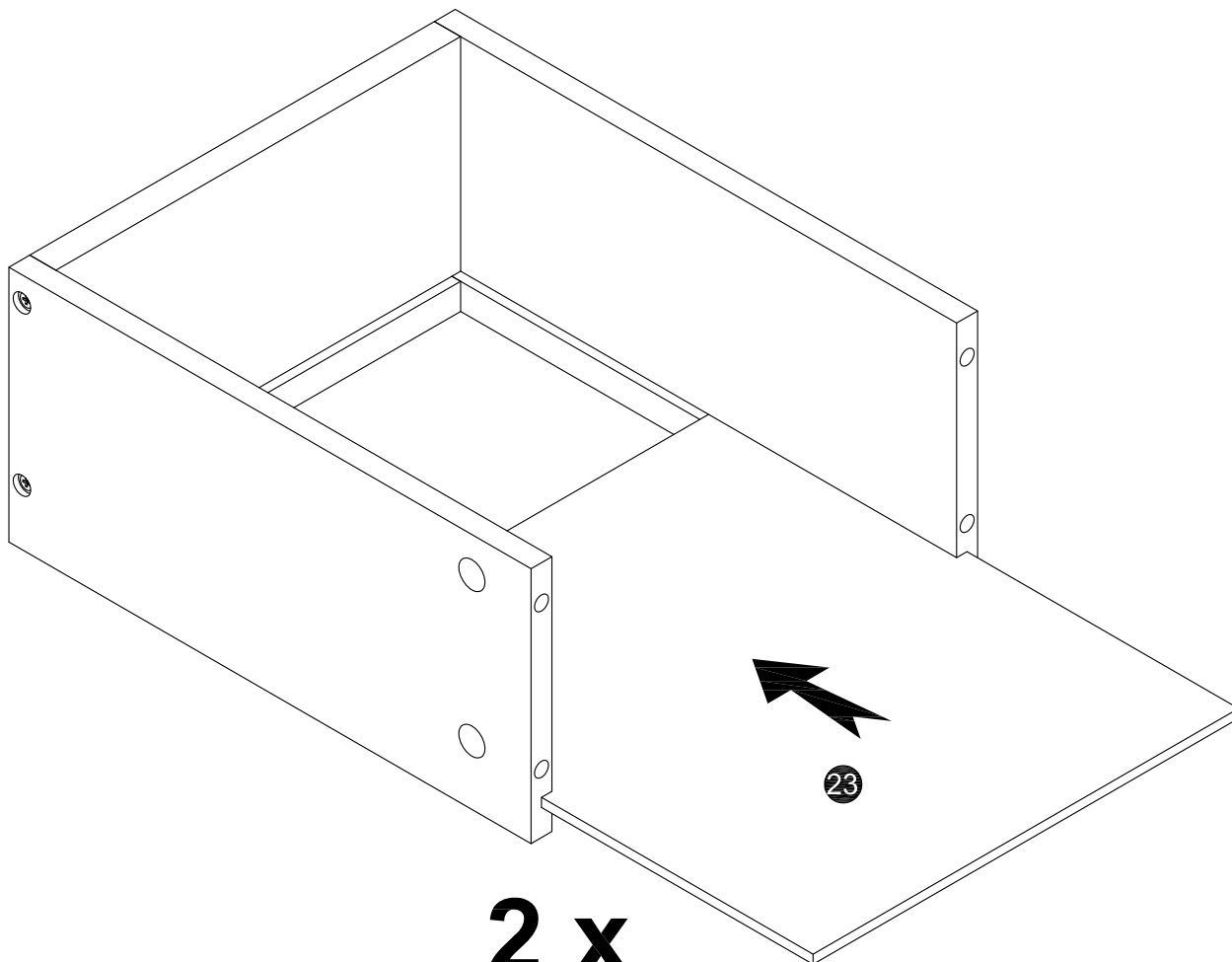
E Screw $\varnothing 3.5 \times 35$

x8

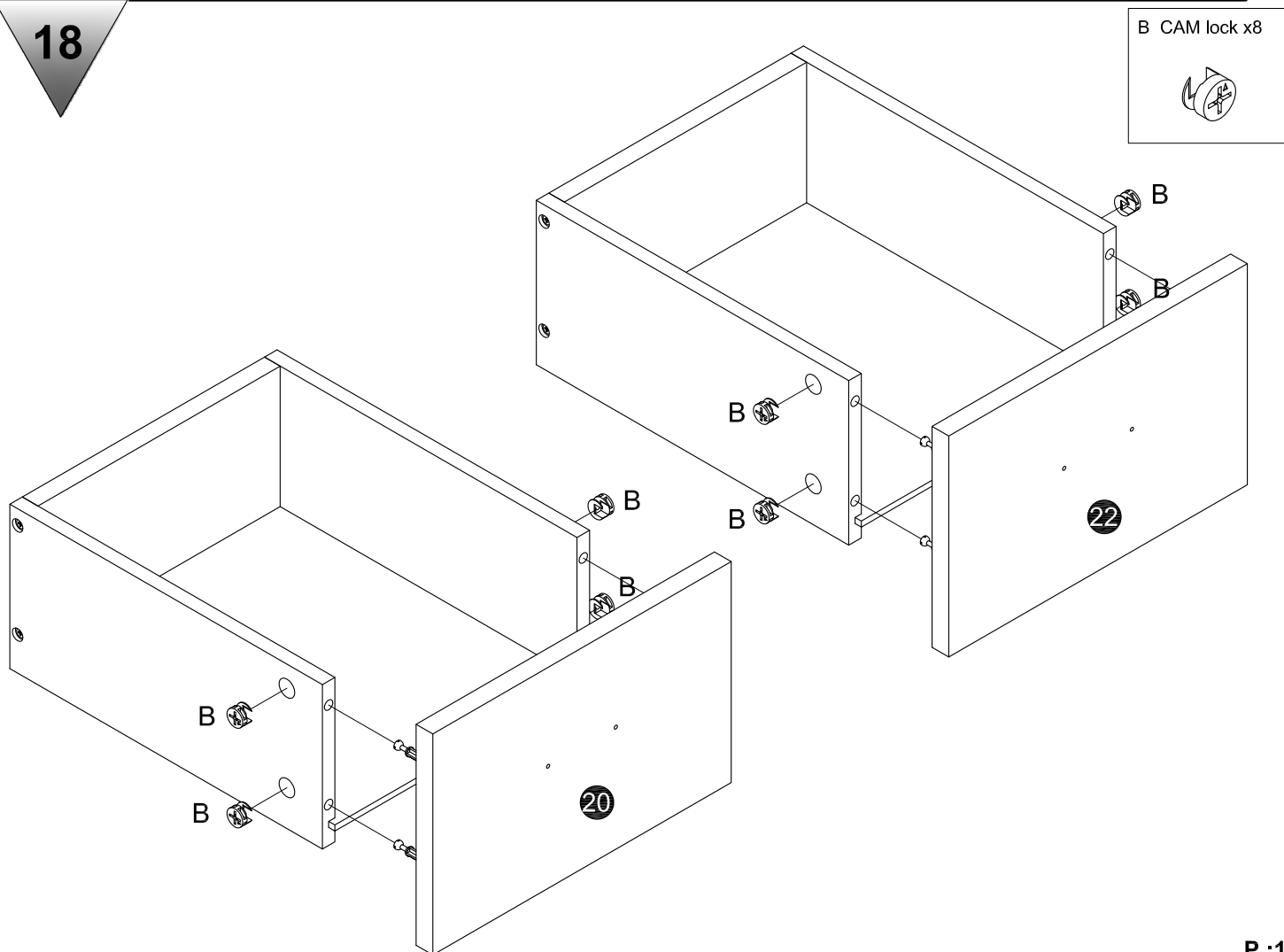


2 x

17



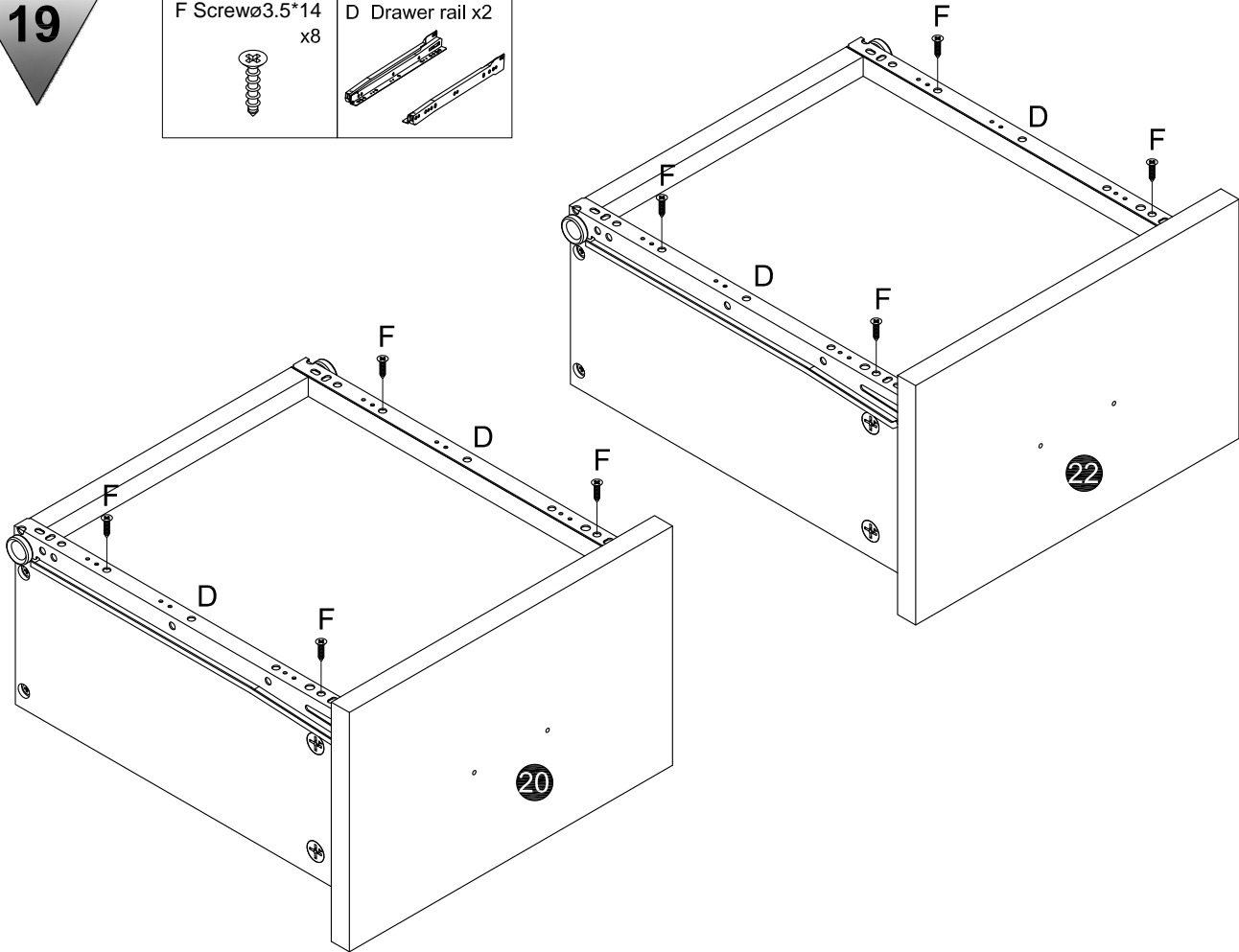
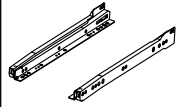
18



19

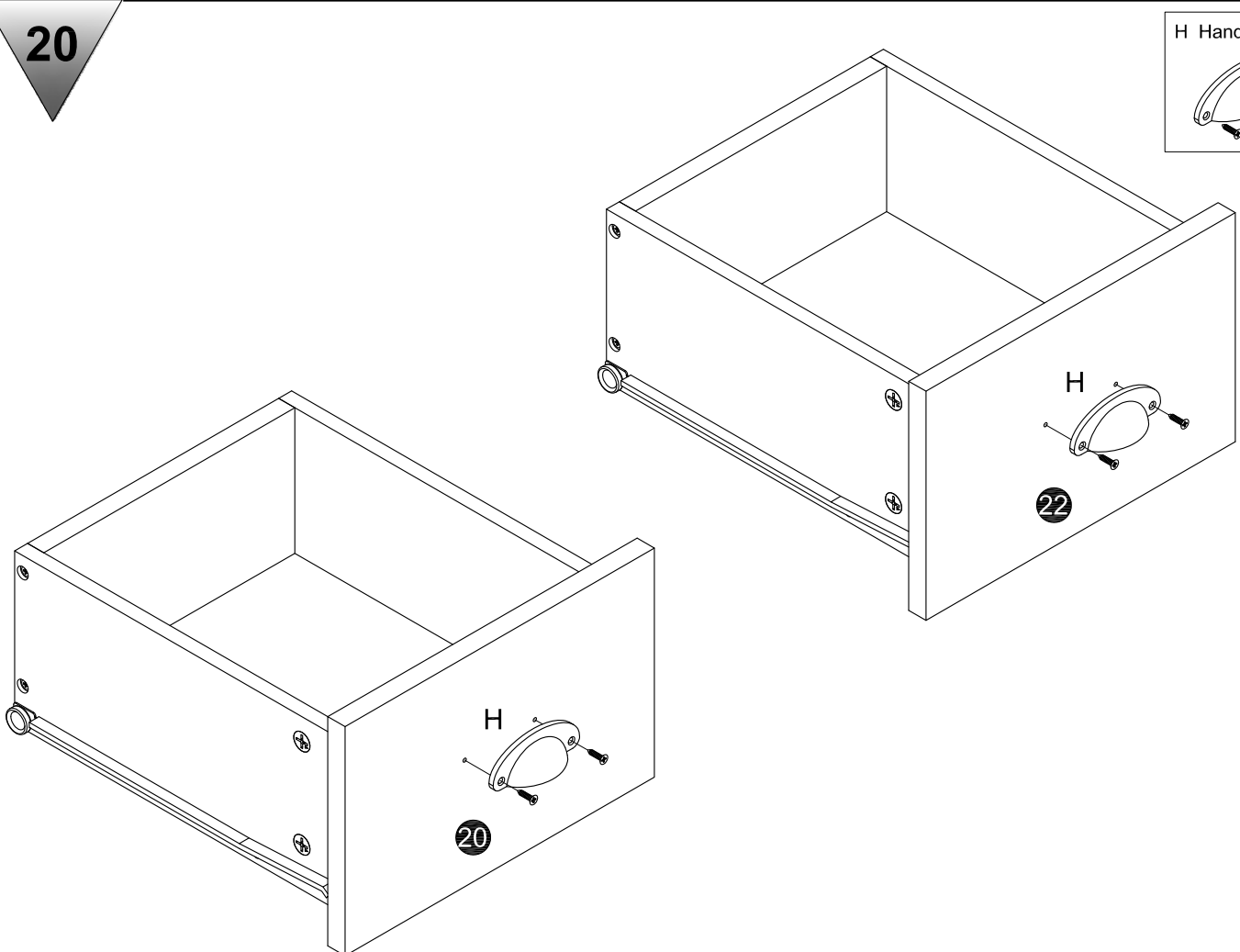
F Screw $\varnothing 3.5 \times 14$
x8

D Drawer rail x2

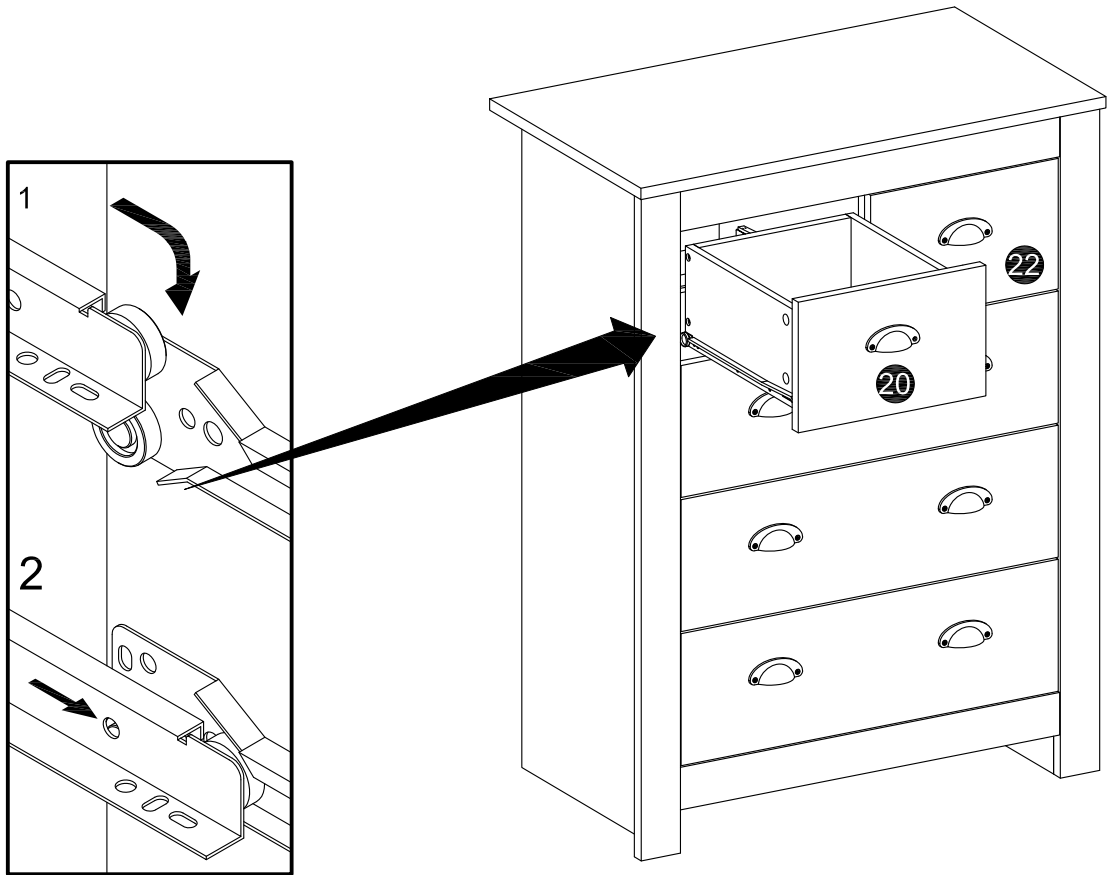


20

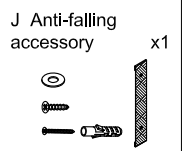
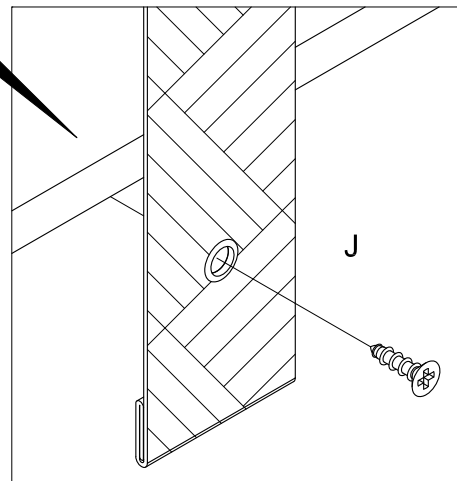
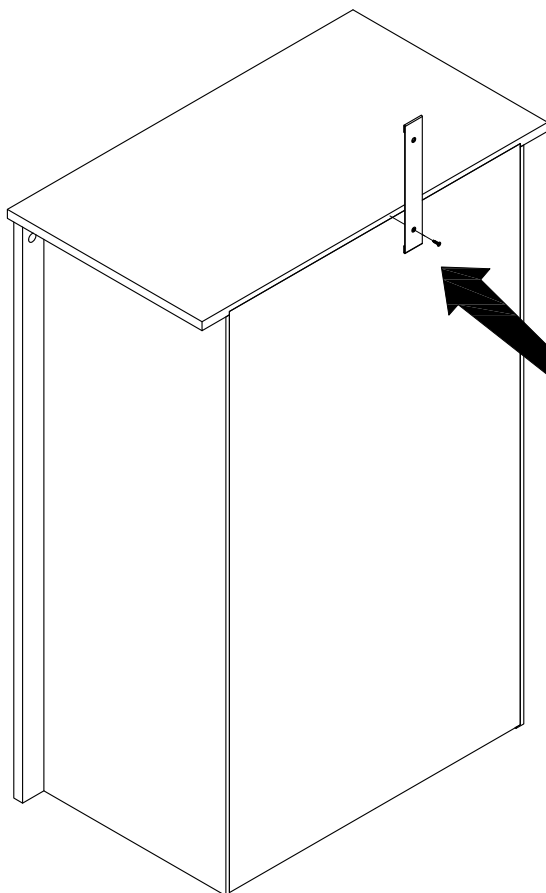
H Handle & Screw
x2



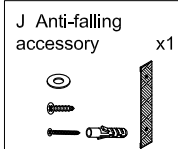
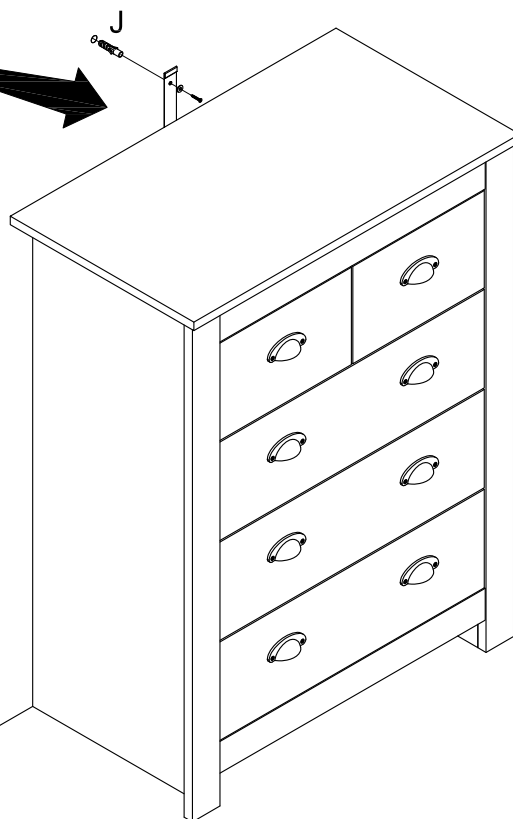
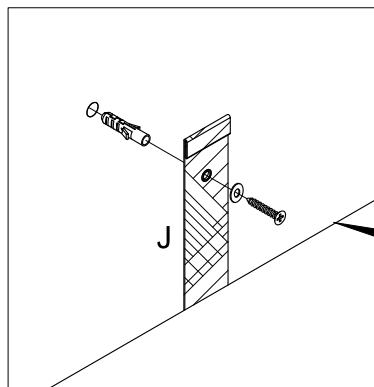
21



22



23



For assistance with assembly, or to request replacement parts, log onto our website or call Customer Service.

DO NOT RETURN THE PRODUCT TO THE STORE.

Si vous avez besoin d'aide pour le montage, ou pour demander des pièces de rechange, connectez-vous sur notre site Web ou appelez le service à la clientèle.

NE RETOURNEZ PAS LE PRODUIT AU MAGASIN.

Para obtener ayuda sobre el montaje o para solicitar piezas de repuesto, conéctese a nuestra página web o llame a Atención al cliente.

NO DEVUELVA EL PRODUCTO A LA TIENDA.

Wenn Sie Hilfe beim Aufbau oder Ersatzteile benötigen, melden Sie sich auf unserer Webseite an oder rufen Sie unseren Kundenservice an.

GEBEN SIE DAS PRODUKT NICHT IM GESCHÄFT ZURÜCK.

Als u hulp nodig heeft bij de montage of vervangende onderdelen wilt bestellen, kunt u inloggen op onze website of bellen met de klantenservice.

BRENG HET PRODUCT NIET TERUG NAAR DE WINKEL.

Per assistenza al montaggio, o per richiedere pezzi di ricambio, accedi al nostro sito o chiama il servizio clienti.

NON RESTITUIRE IL PRODOTTO AL NEGOZIO.

Para obter ajuda na montagem, ou para solicitar peças de substituição, inicie a sessão no nosso sítio da Internet ou ligue para o Serviço de Apoio ao Cliente.

NÃO DEVOLVA O PRODUTO À LOJA.

US,

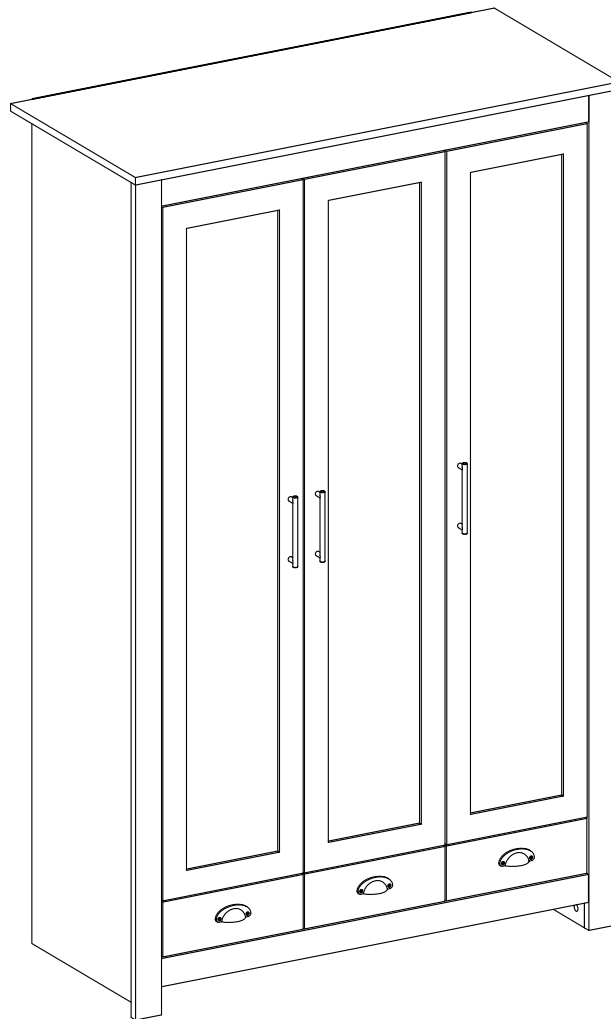
UK:
DREAMS LIVING LIMITED.

Spain:

Other European Countries:

3 Doors + 3 drawers wardrobe

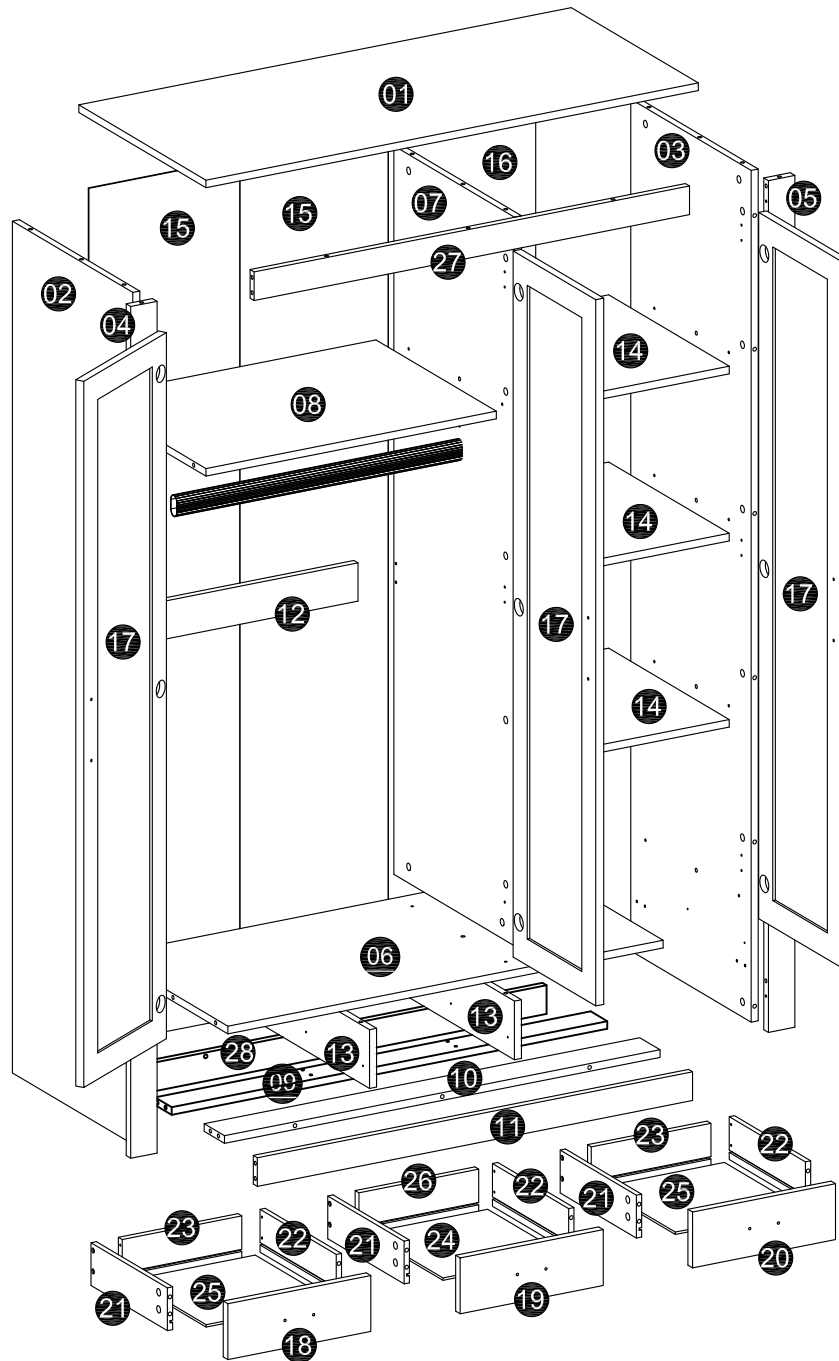
USER MANUAL | MODE D'EMPLOI | MANUAL DEL USUARIO | GEBRAUCHSANLEITUNG |
GEBRUIKSHANDLEIDING | MANUALE PER L'UTENTE | MANUAL DO UTILIZADOR



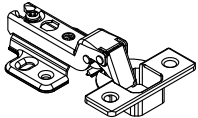
Please keep your original packages , due to health and safety reasons , we cannot accept returns without original packages .



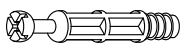
We will resolve the issues for you within 1 working day!



R Hinge for Middle door x3



A CAM lock dowel x80



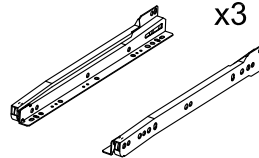
B CAM lock x80



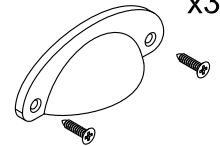
C Wood dowel x22



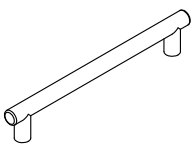
D Drawer runner x3



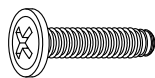
E Handle & Screw x3



F Handle x3



G Bolt M4x25 x6



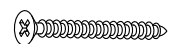
H Nail



J Nail Leg x5



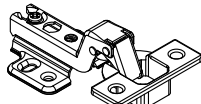
K Screw Ø4x35 x22



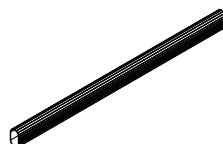
M Screw Ø3.5x14 x82



N Hinge for side door x6



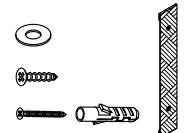
P Hanger x1





O Base for hanger x2


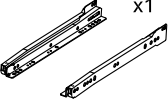


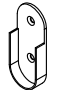
Q Anti-falling accessory x2

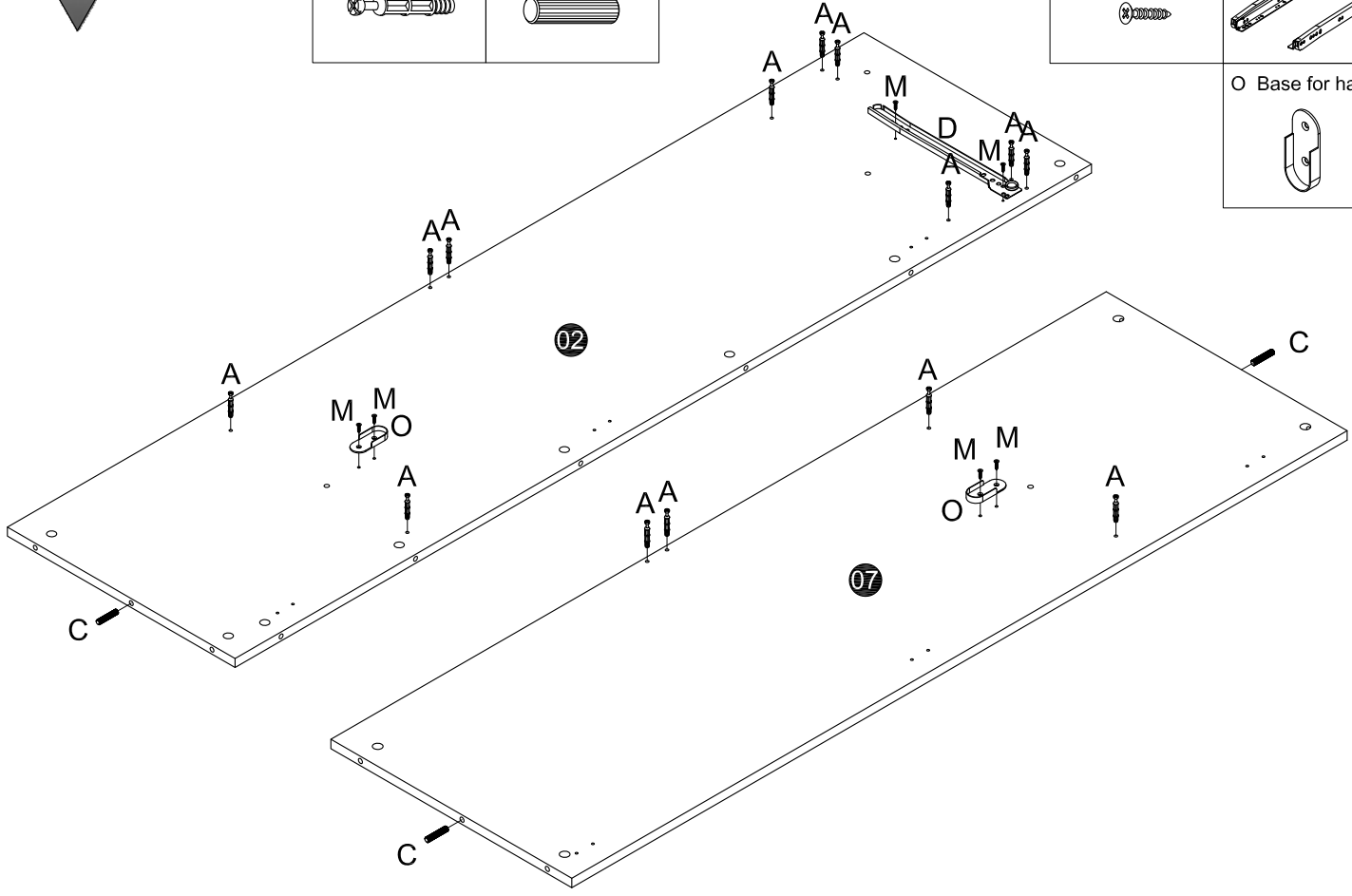


01



A CAM lock dowel x14	C Wood dowel x3
	


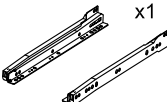
M Screw $\varnothing 3.5 \times 14$ x6	D Drawer runner x1
	

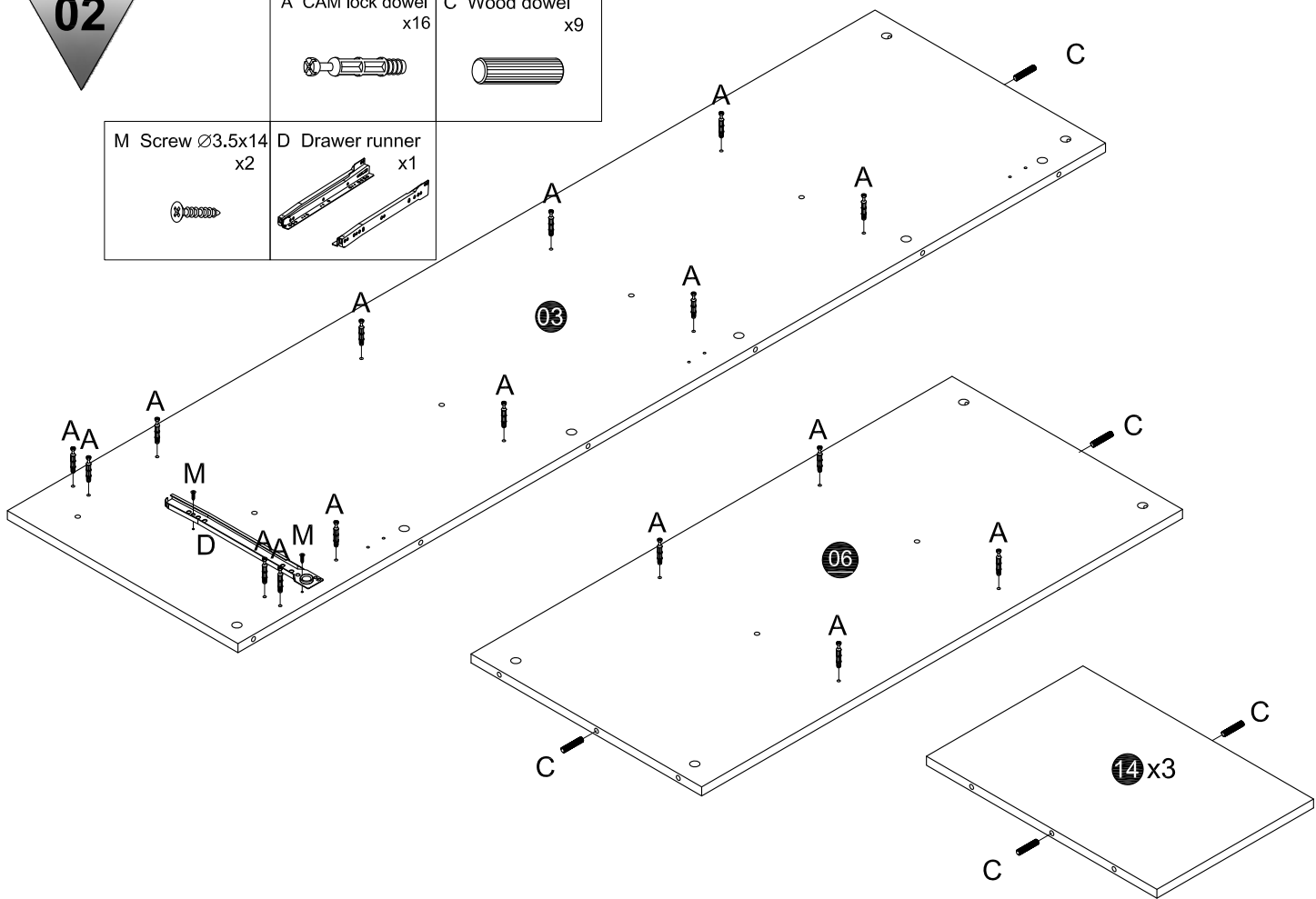
O Base for hanger x2




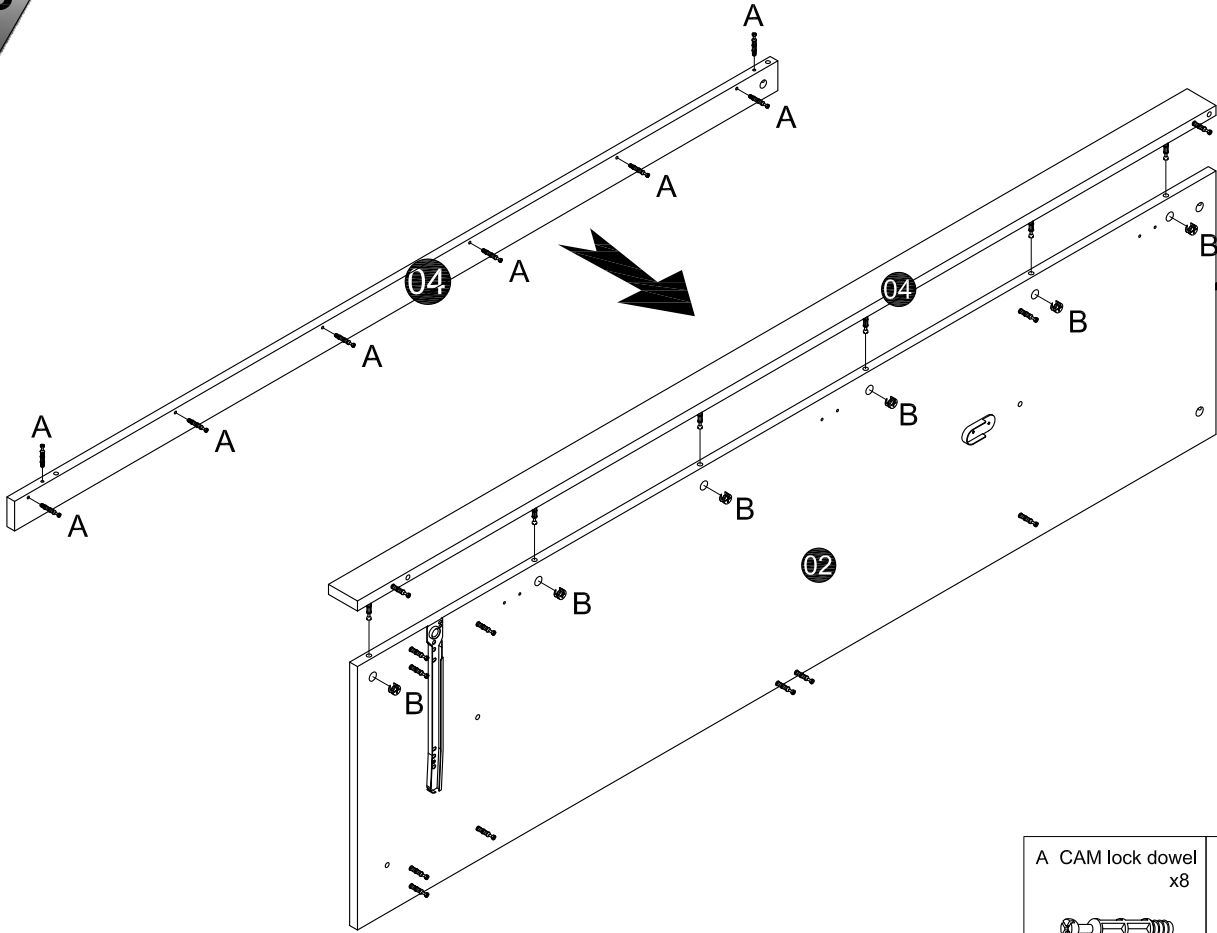
02

A CAM lock dowel x16	C Wood dowel x9
	

M Screw $\varnothing 3.5 \times 14$ x2	D Drawer runner x1
	

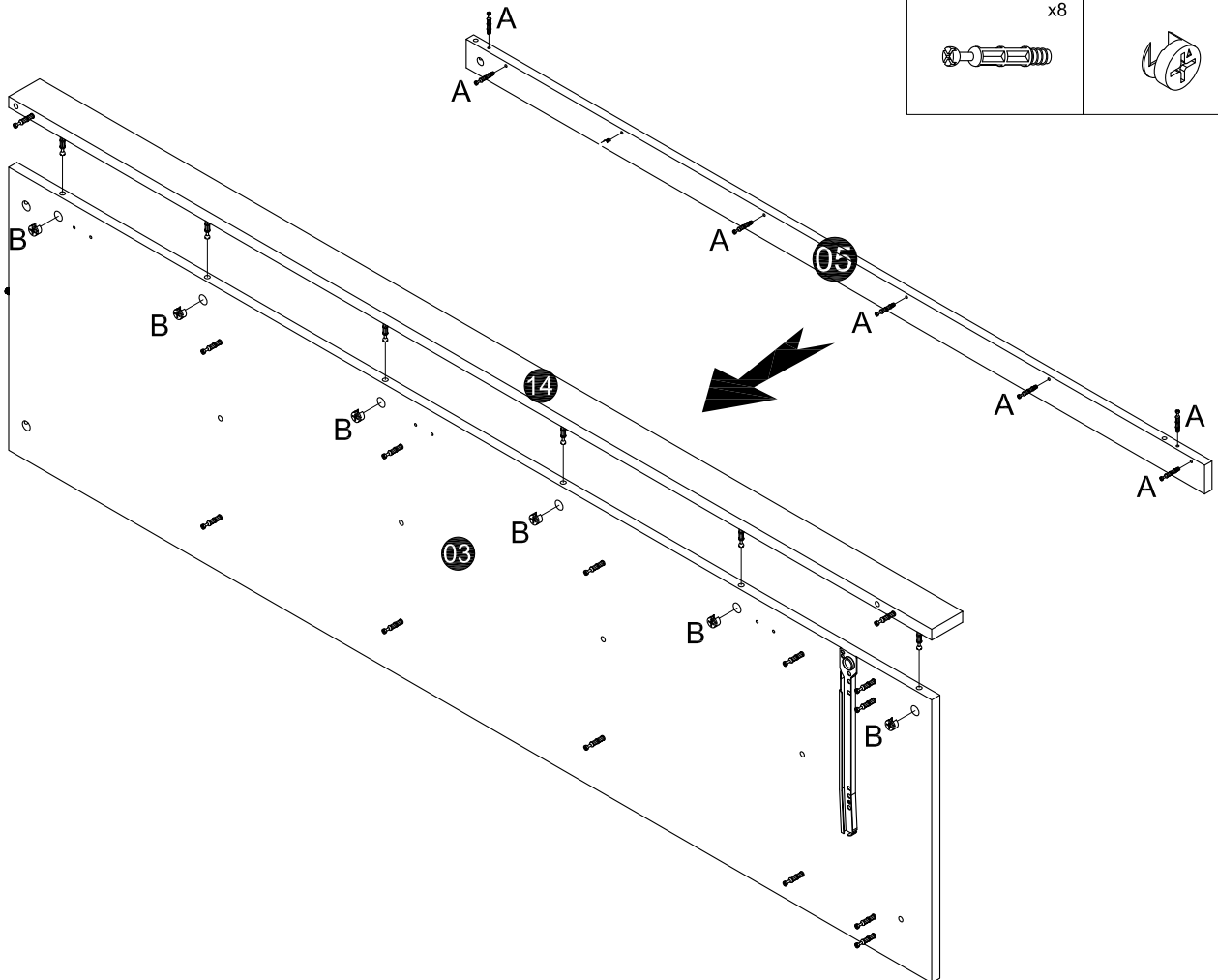


03



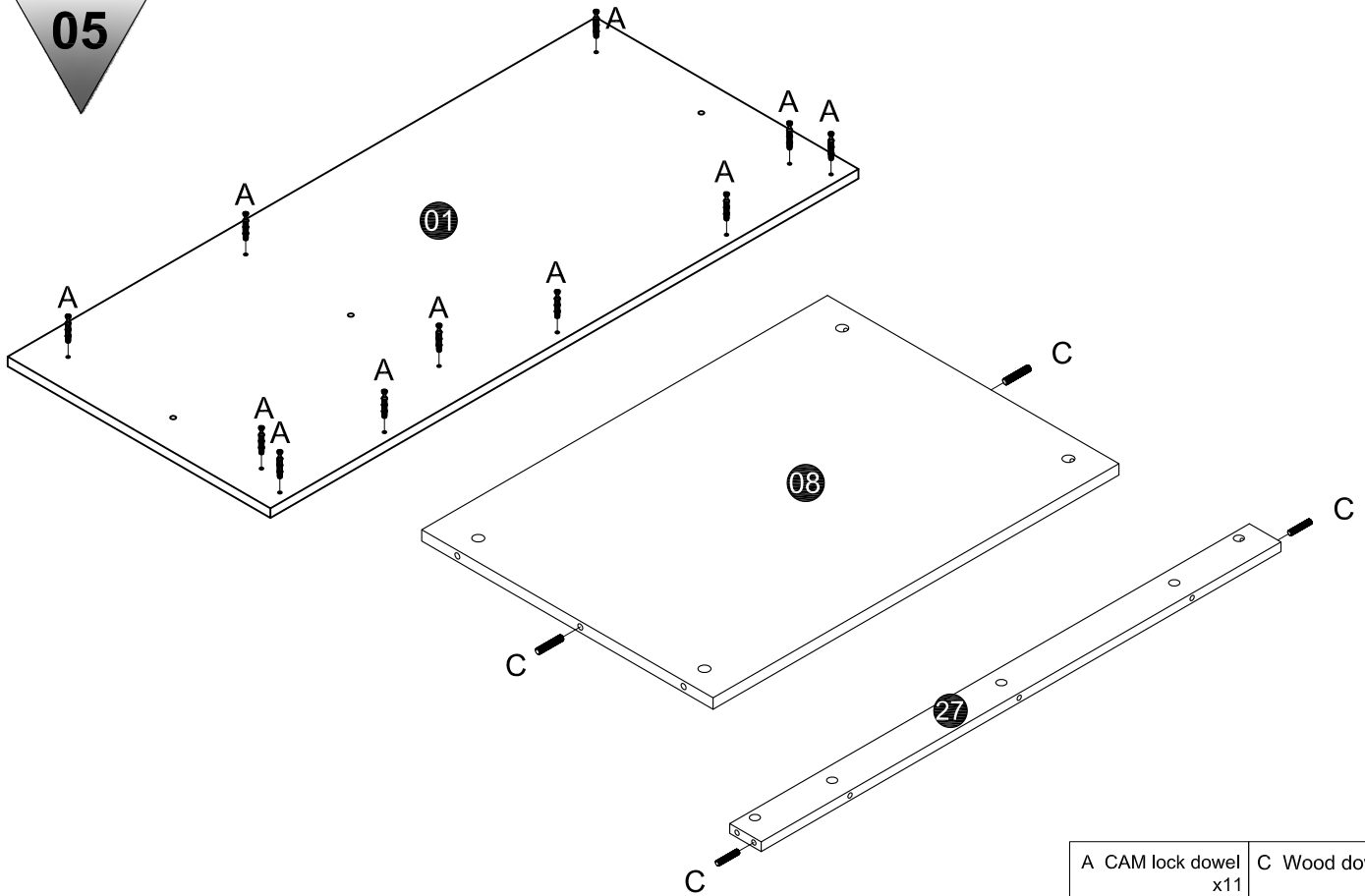
A CAM lock dowel x8	B CAM lock x6



04



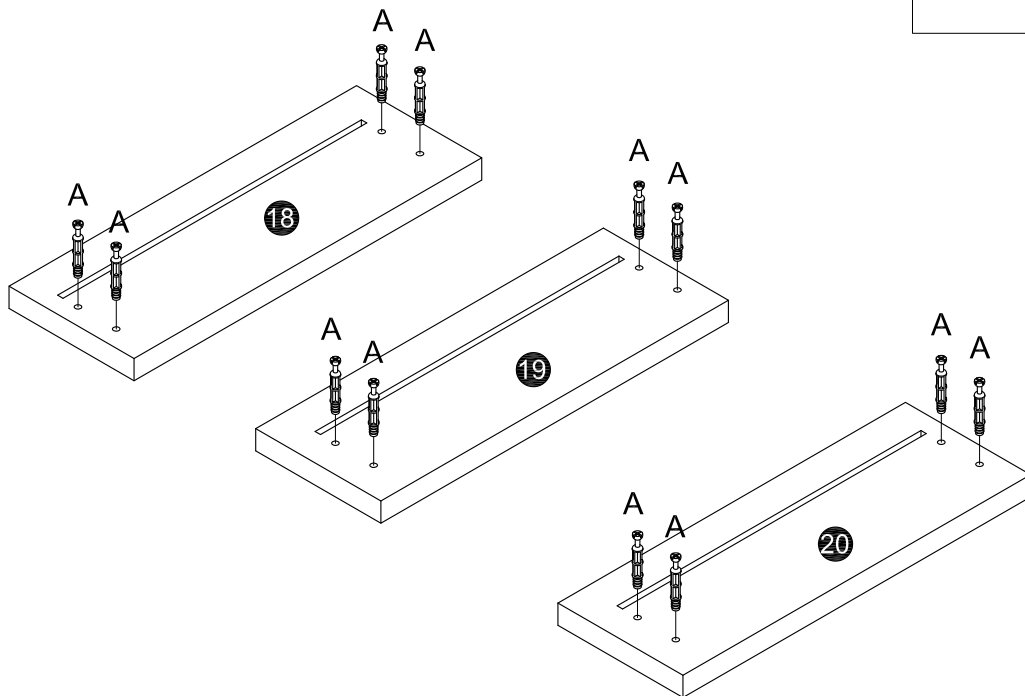
A CAM lock dowel x8	B CAM lock x6


05






A CAM lock dowel x11	C Wood dowel x4
	

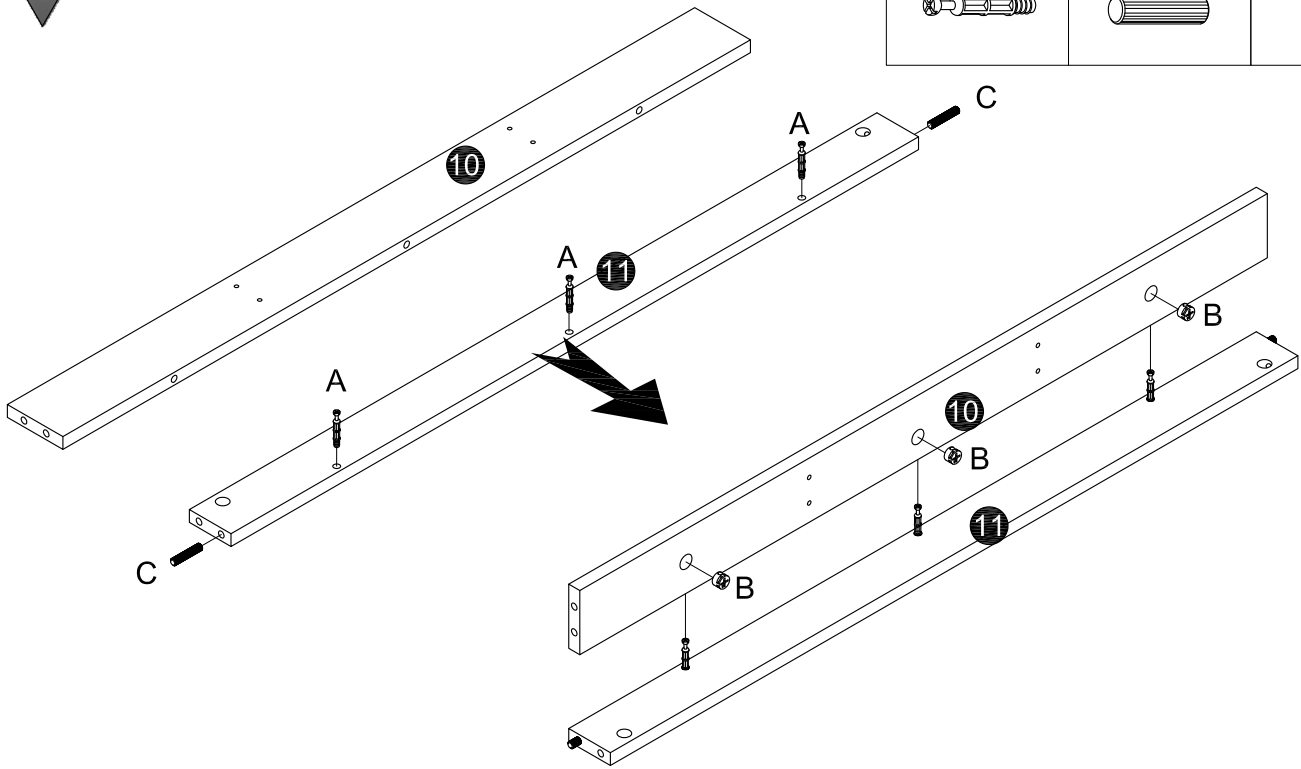
06



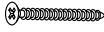

A CAM lock dowel x12


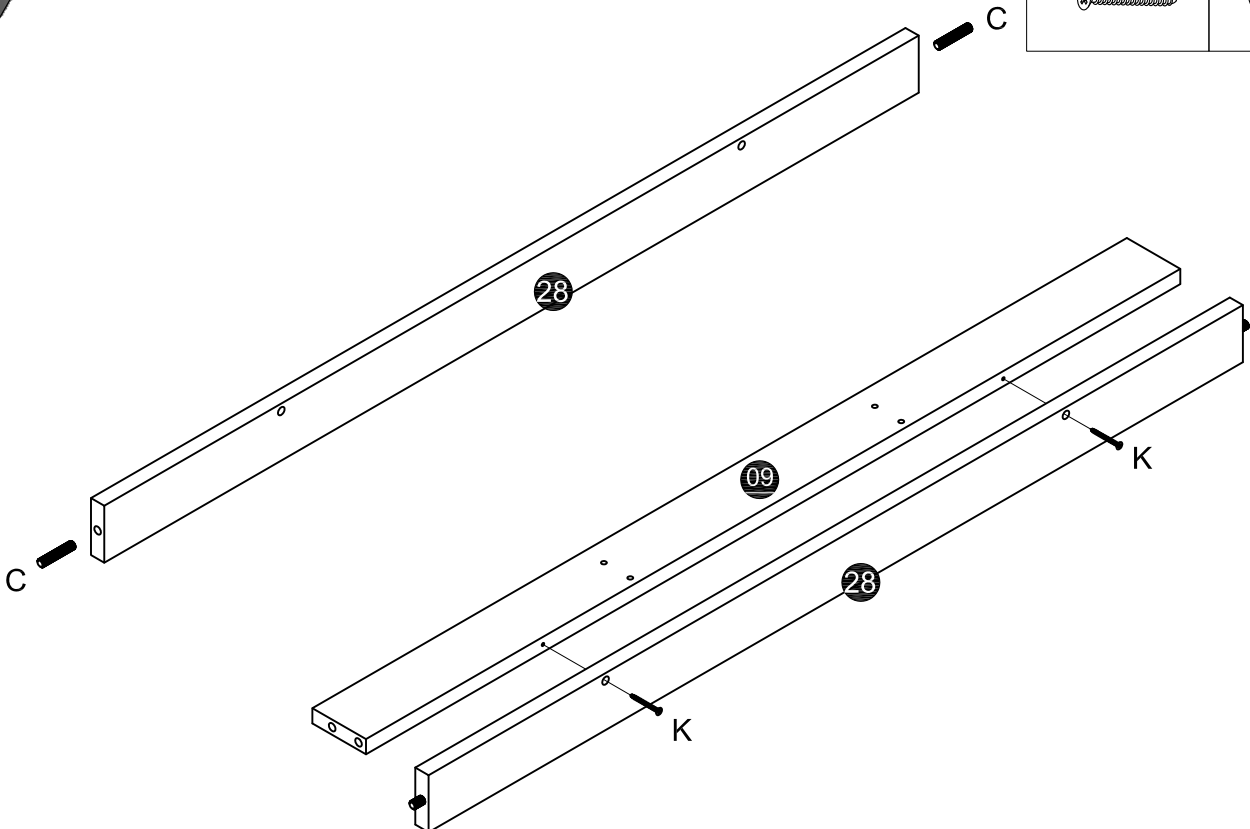
07

A CAM lock dowel x3	C Wood dowel x2	B CAM lock x3
		



08

K Screw \varnothing 4x35 x2	C Wood dowel x2
	

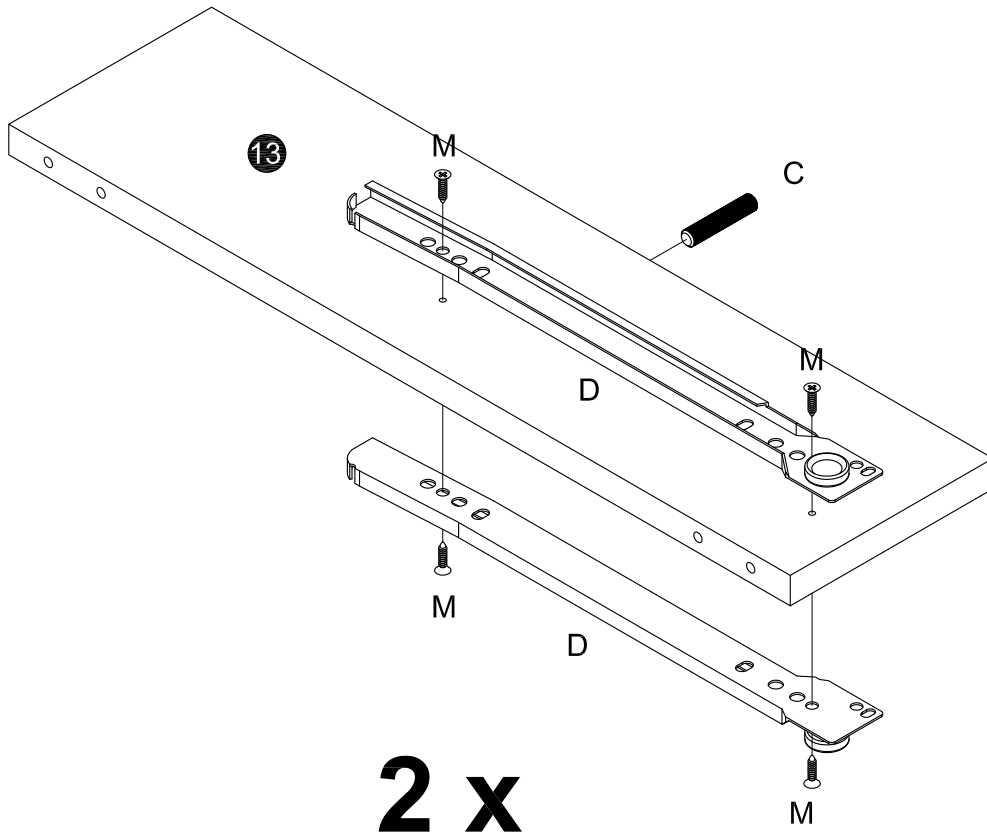
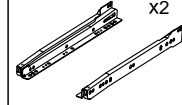


09

M Screw $\varnothing 3.5 \times 14$
x8

D Drawer runner
x2

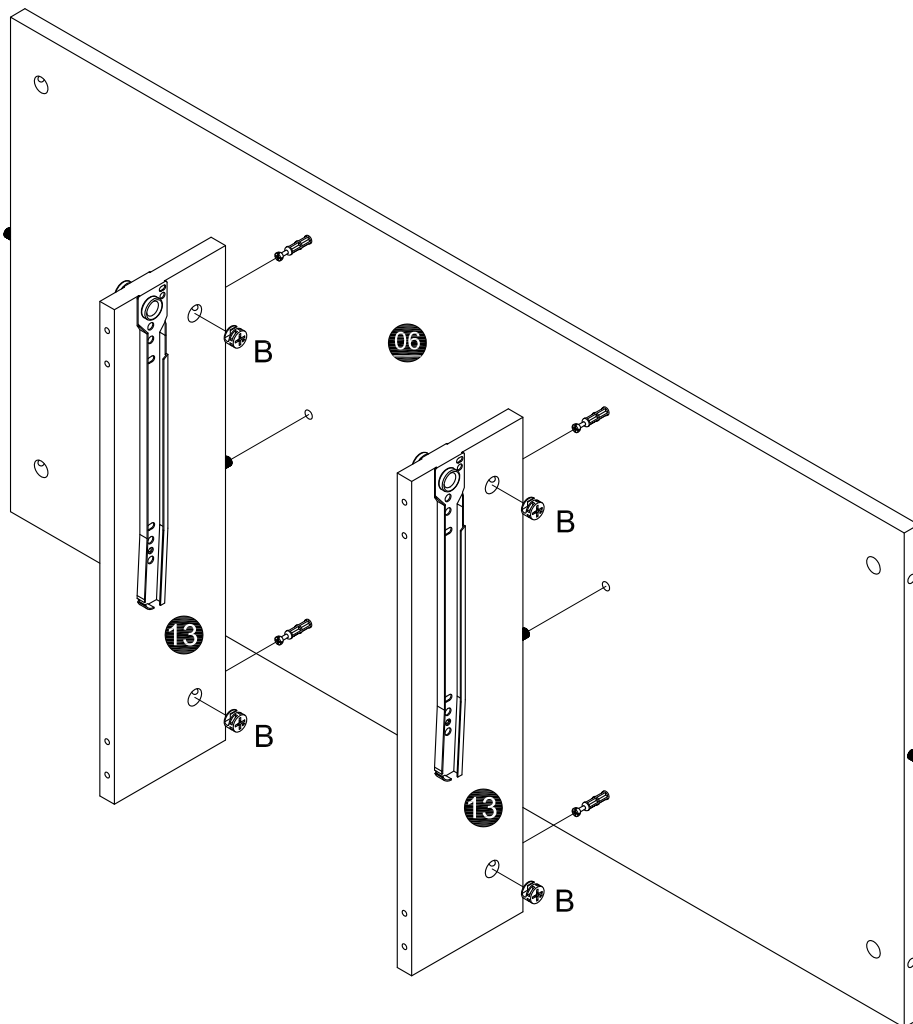
C Wood dowel
x2



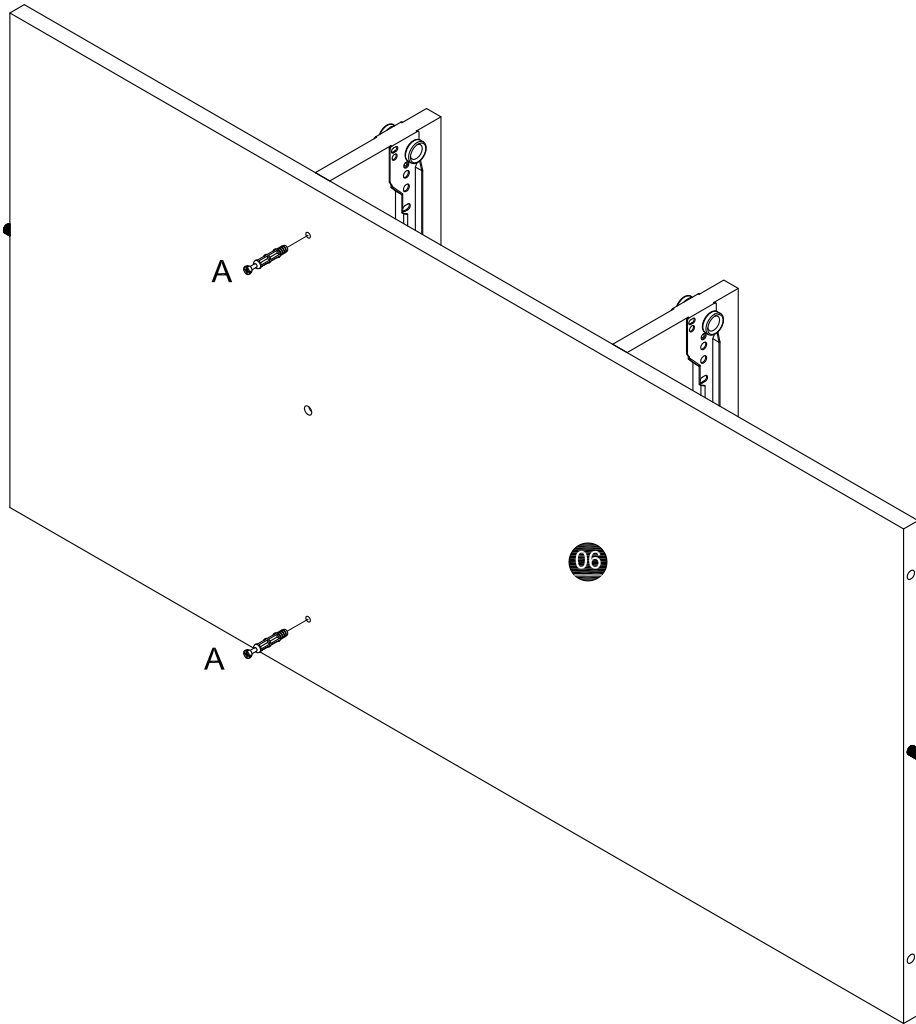
2 x

10

B CAM lock x4

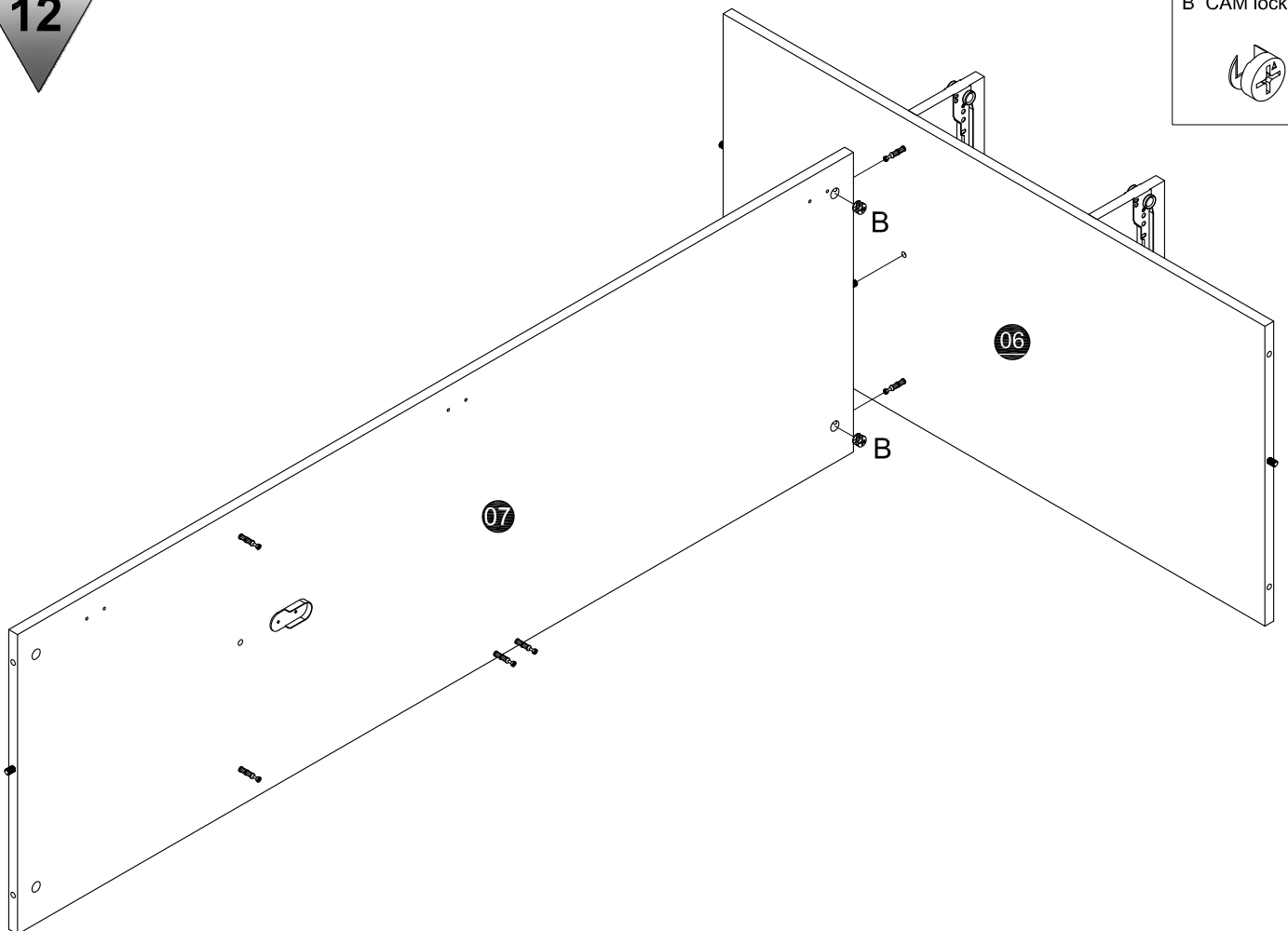


11



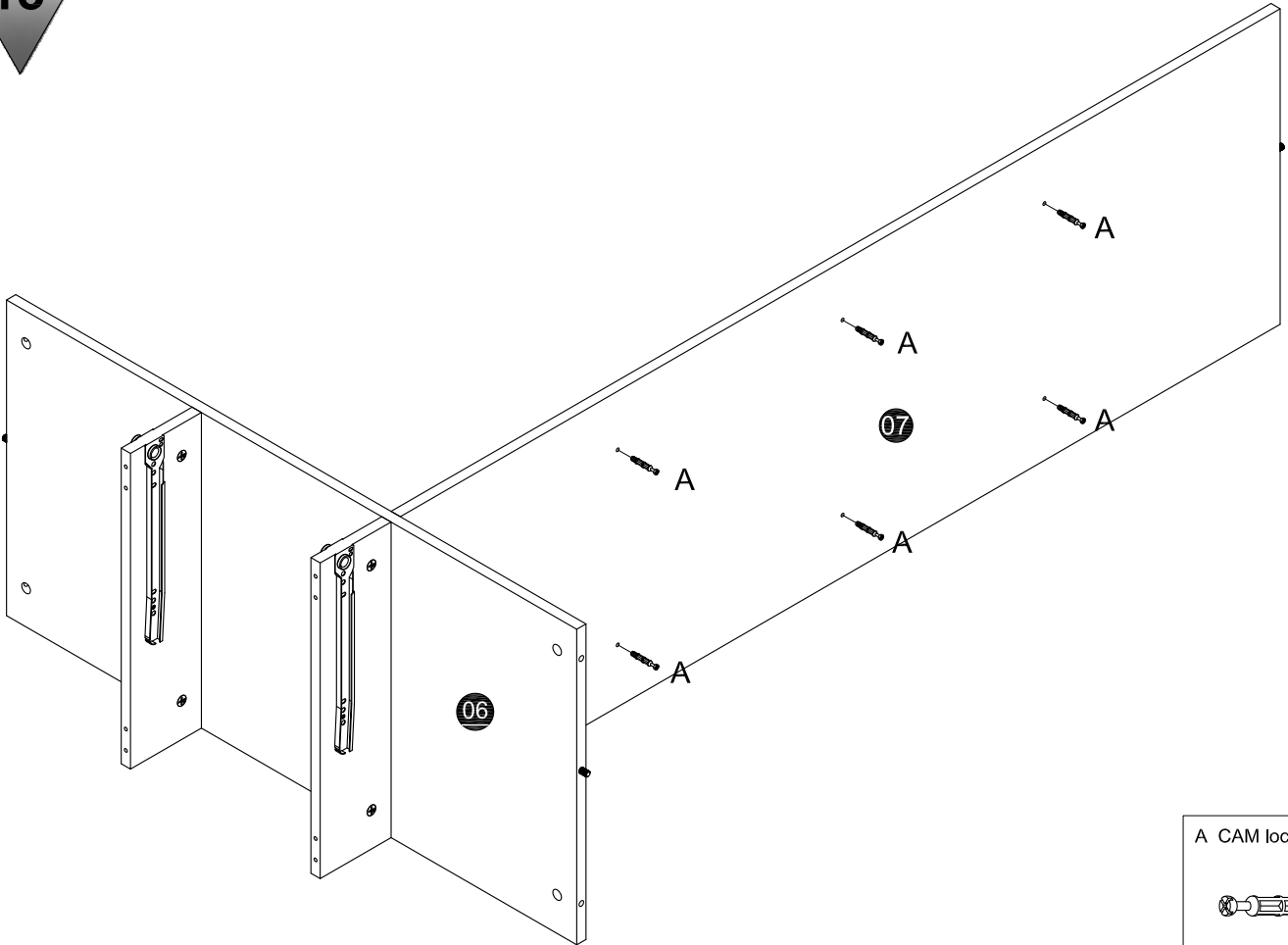
A CAM lock dowel
x2

12



B CAM lock x2

13

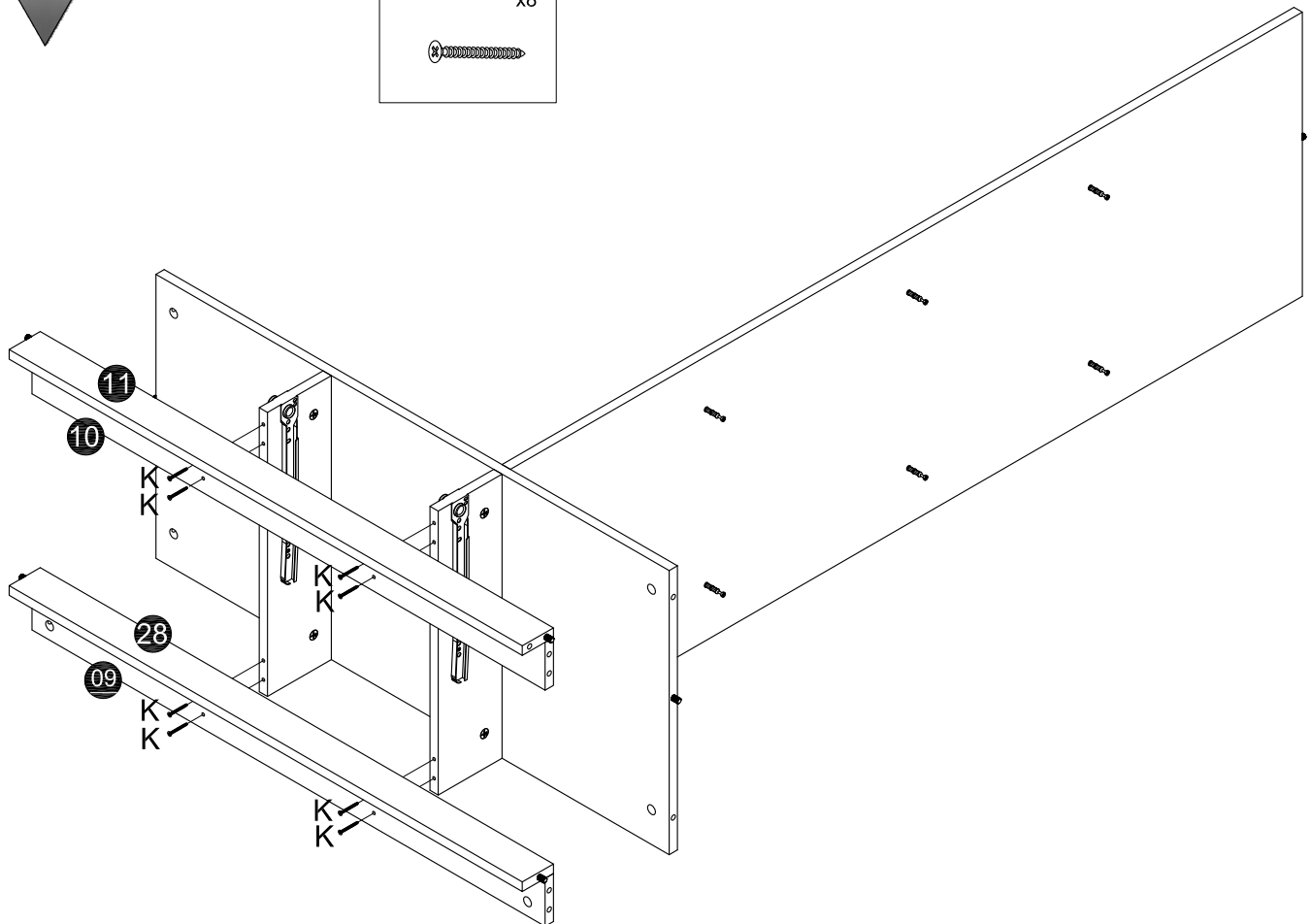
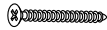


A CAM lock dowel
x6

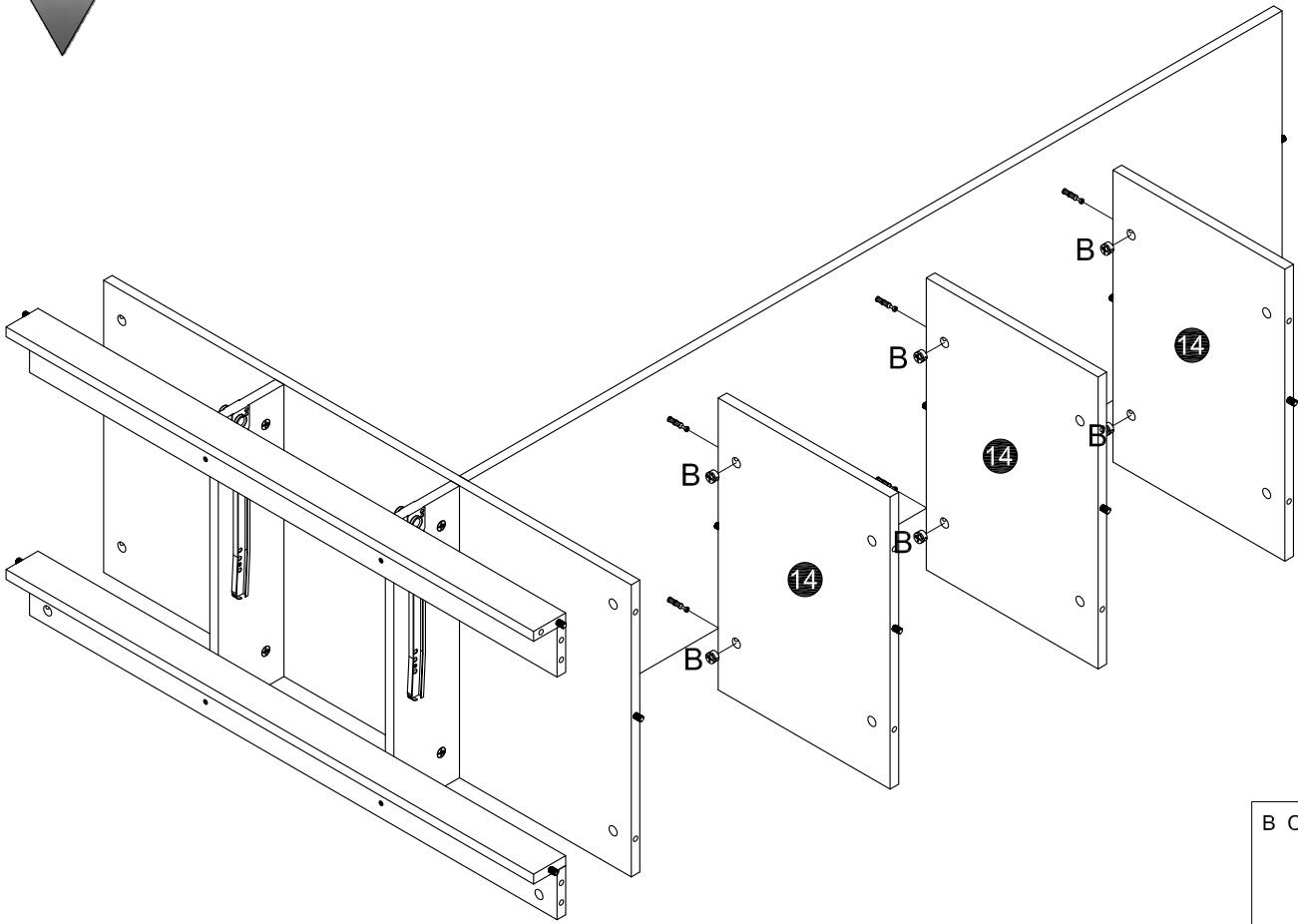


14

K Screw \varnothing 4x35
x8



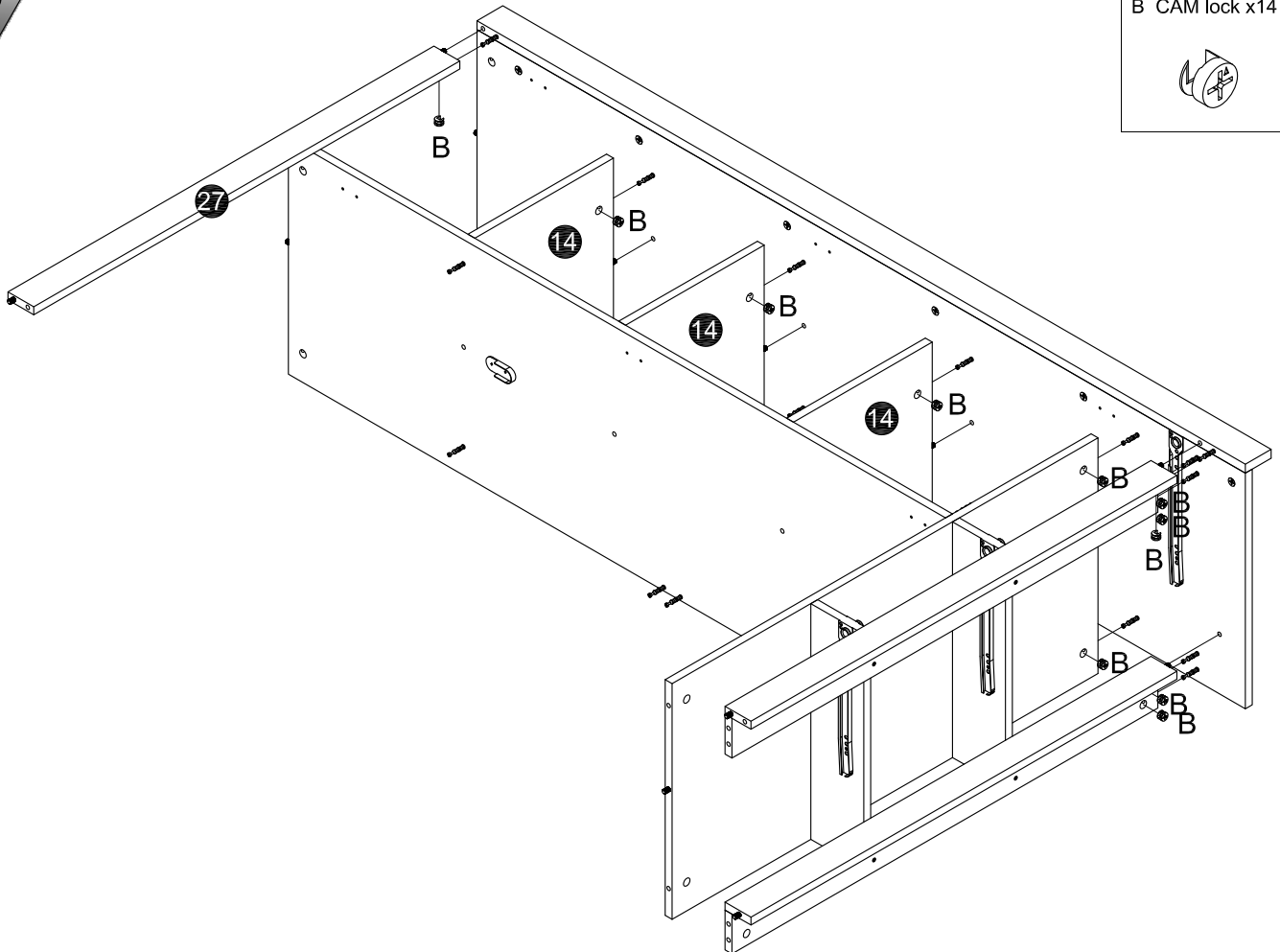
15



B CAM lock x6



16

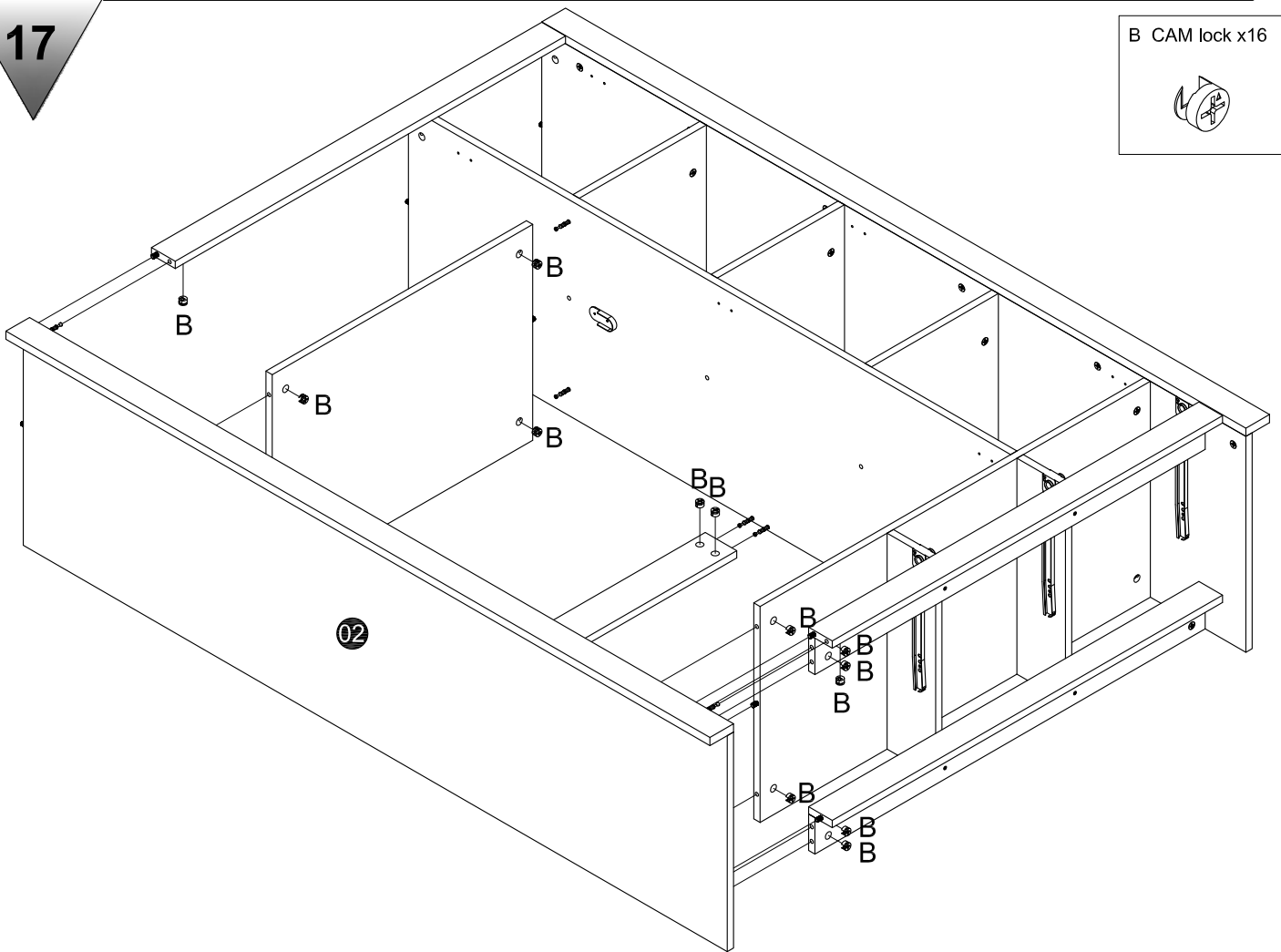


B CAM lock x14



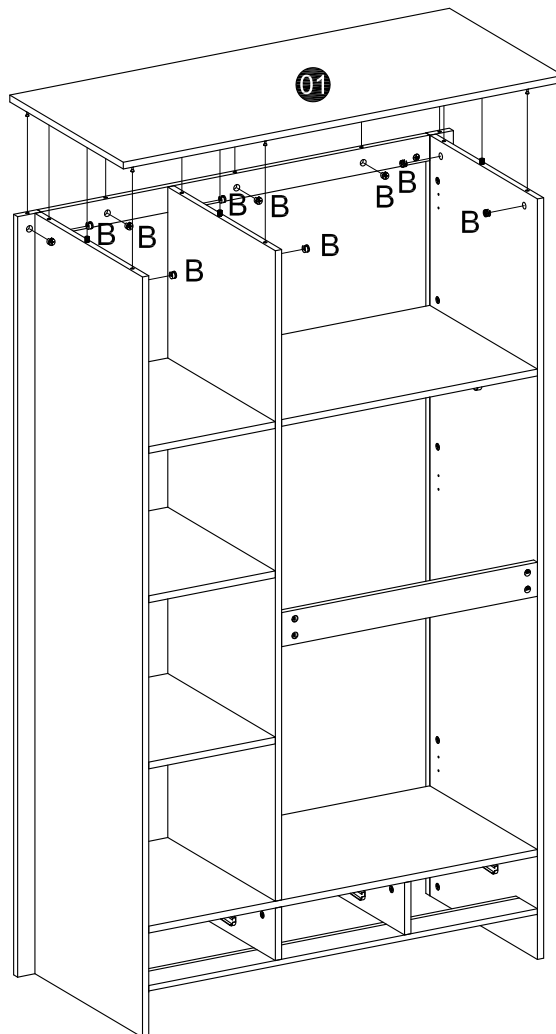
17

B CAM lock x16

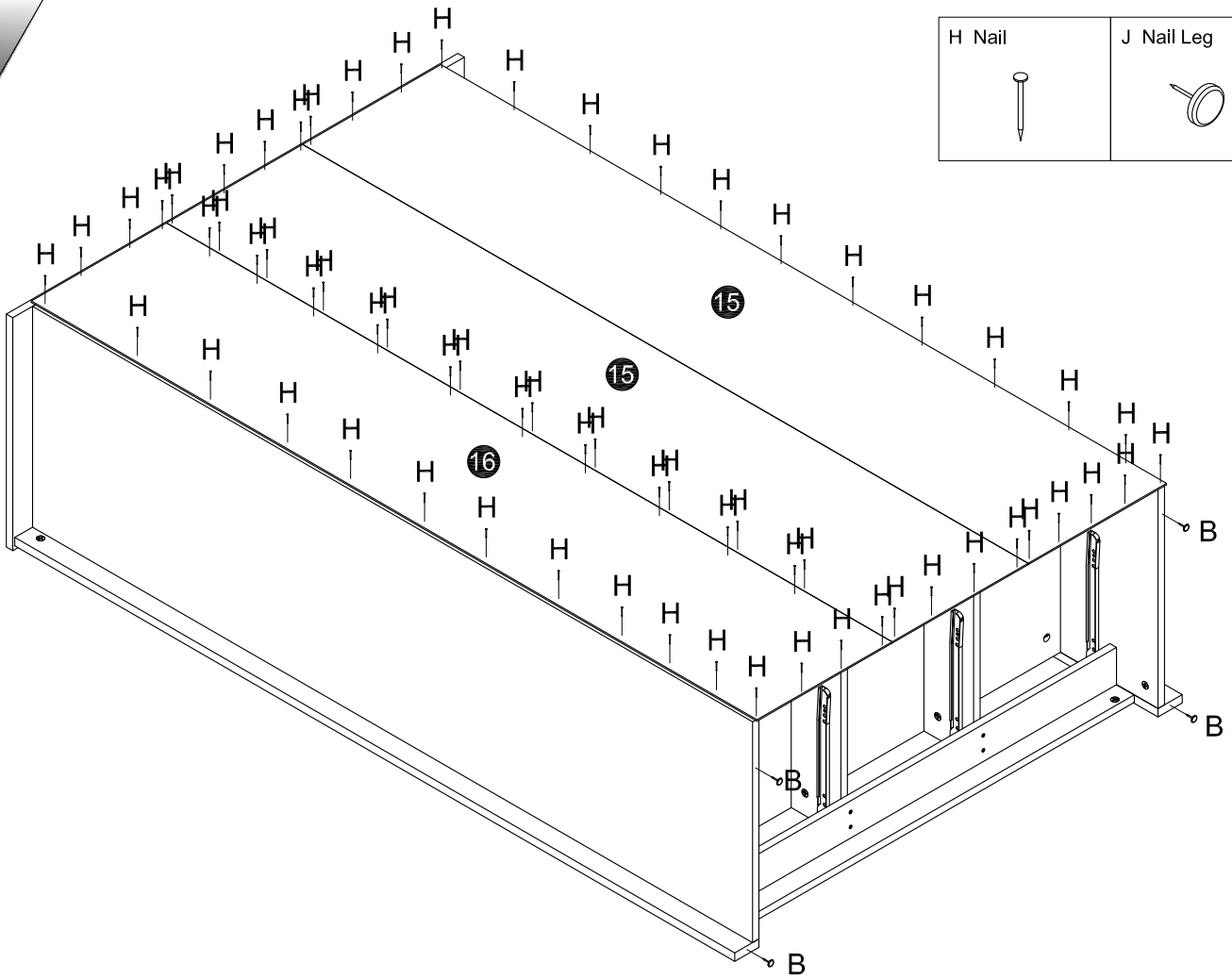


18

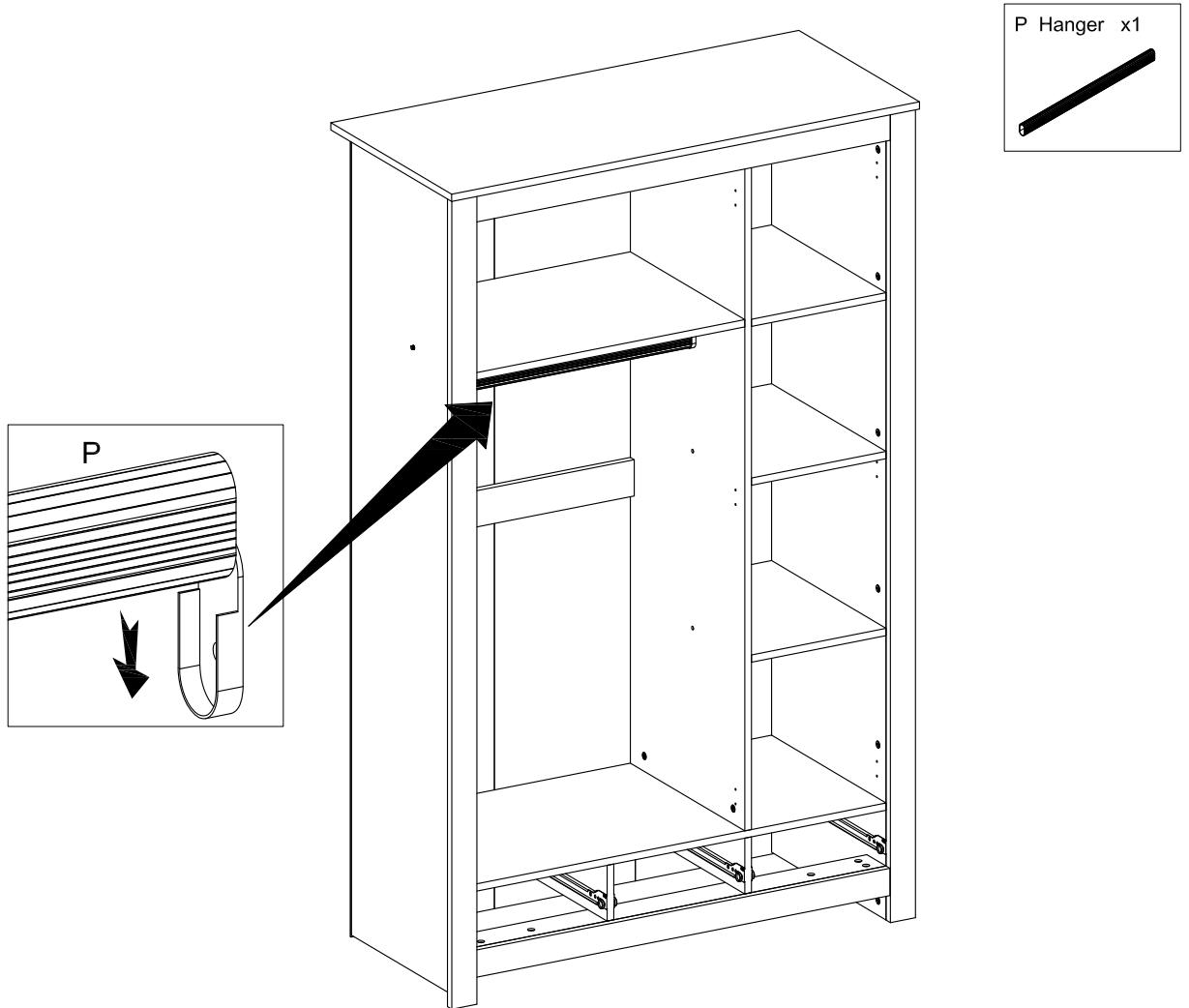
B CAM lock x11



19

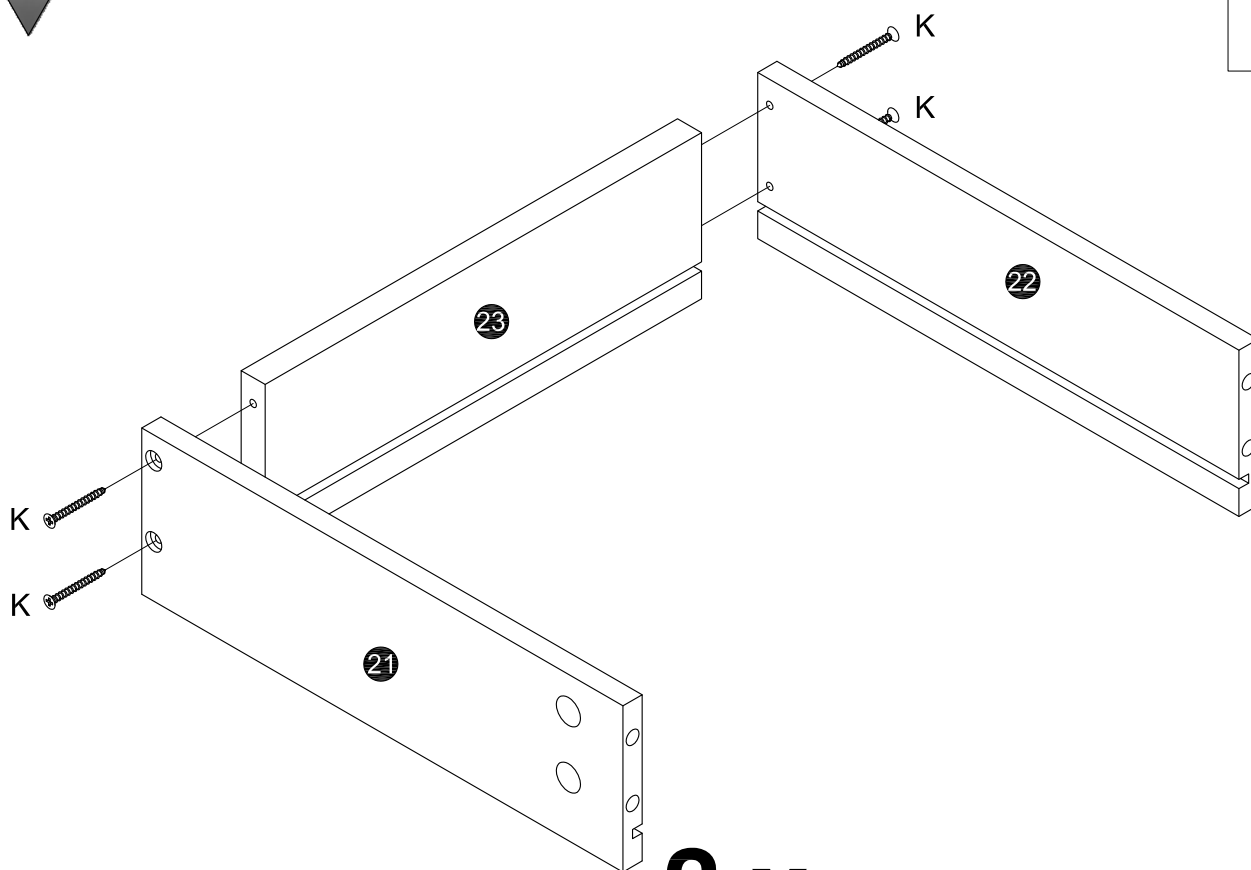
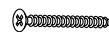


20



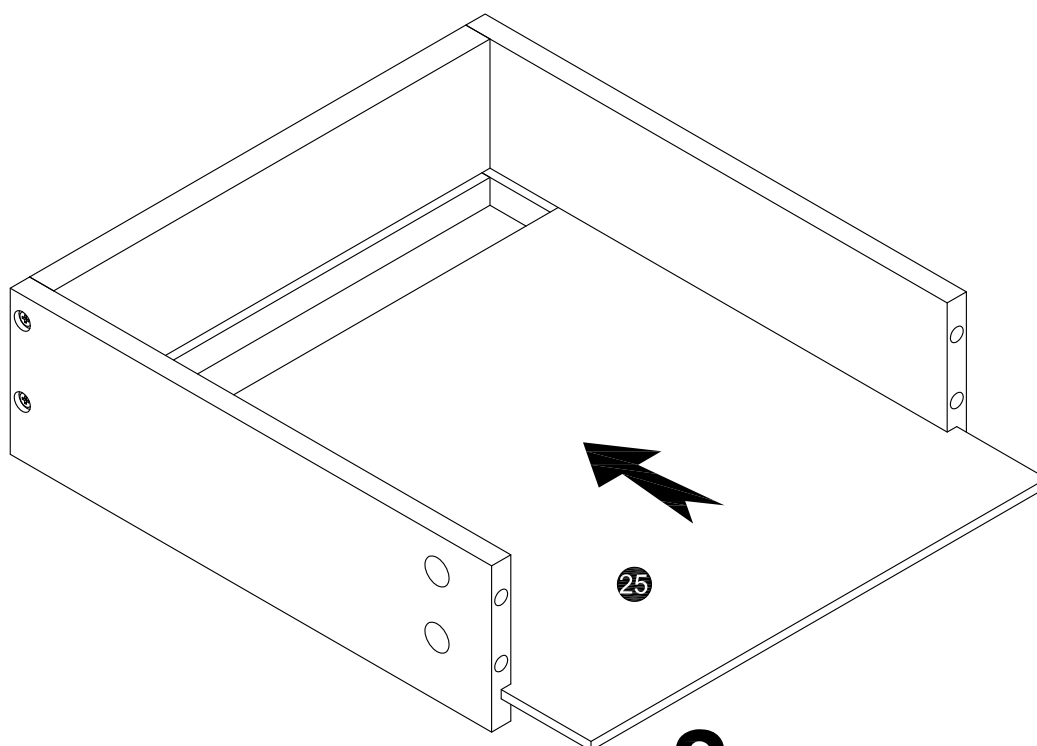
21

K Screw \varnothing 4x35
x8



2 x

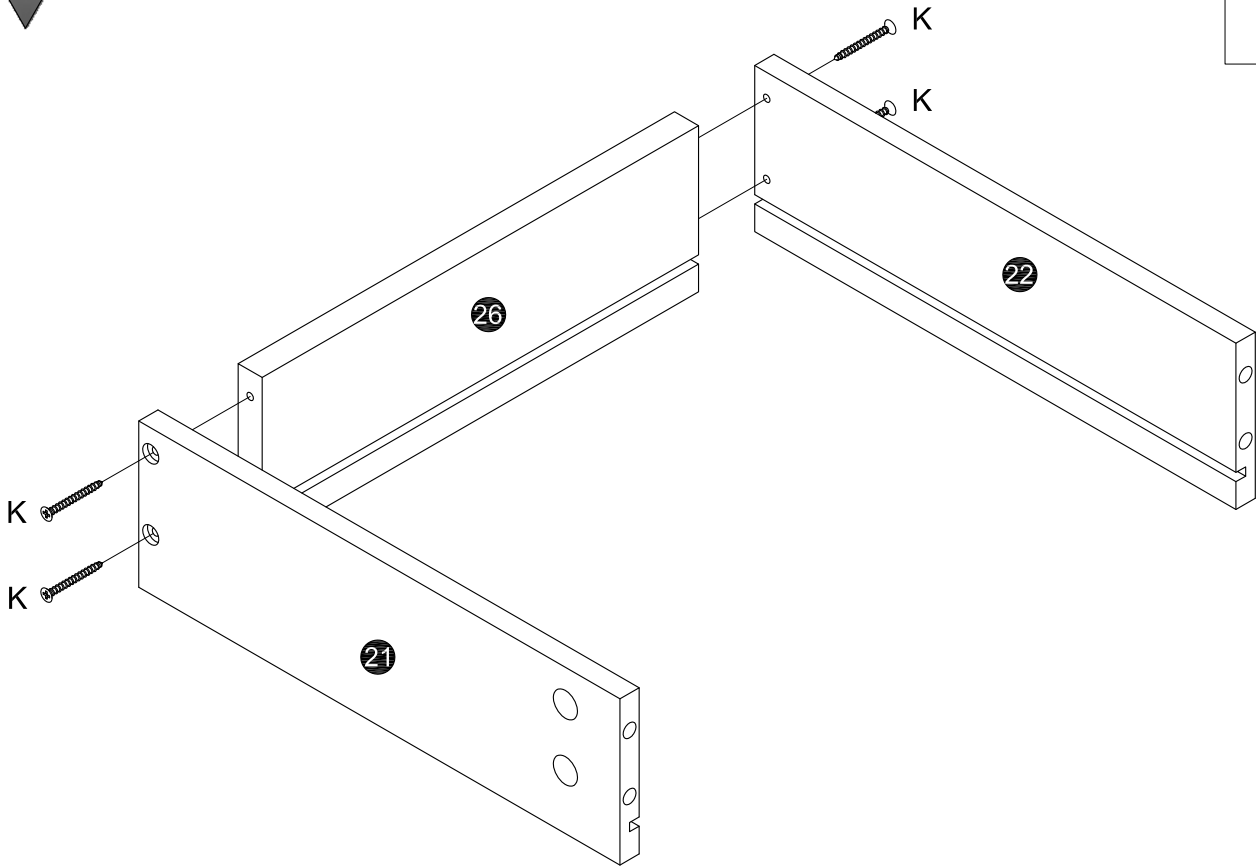
22



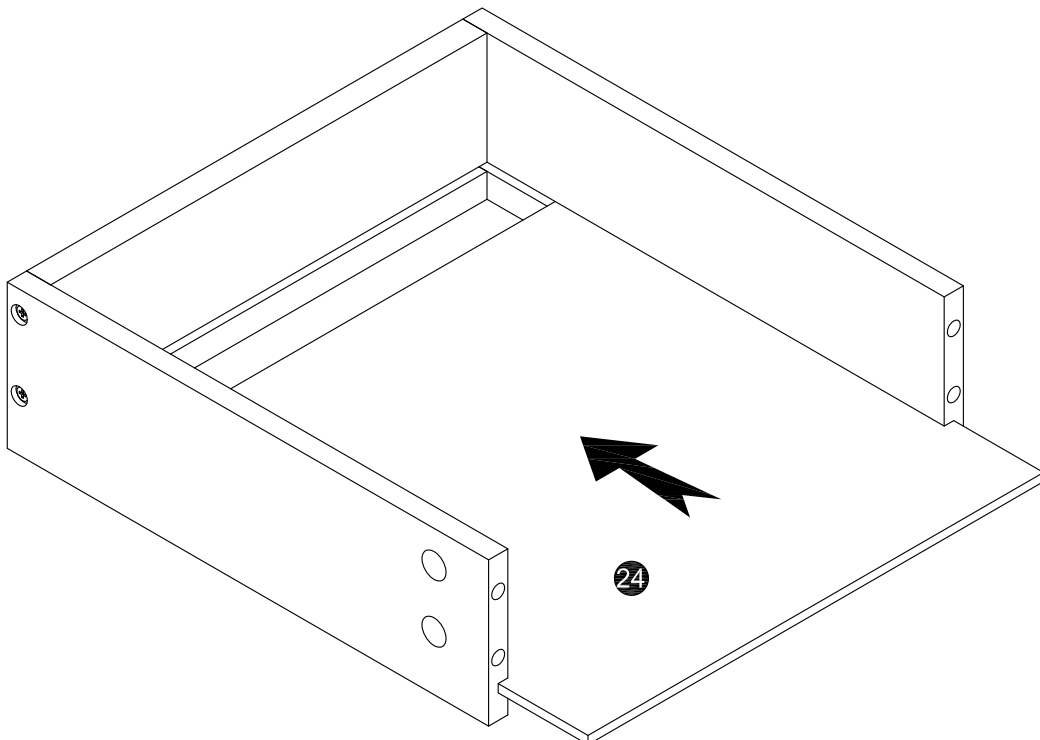
2 x

23

K Screw $\varnothing 4 \times 35$
x4

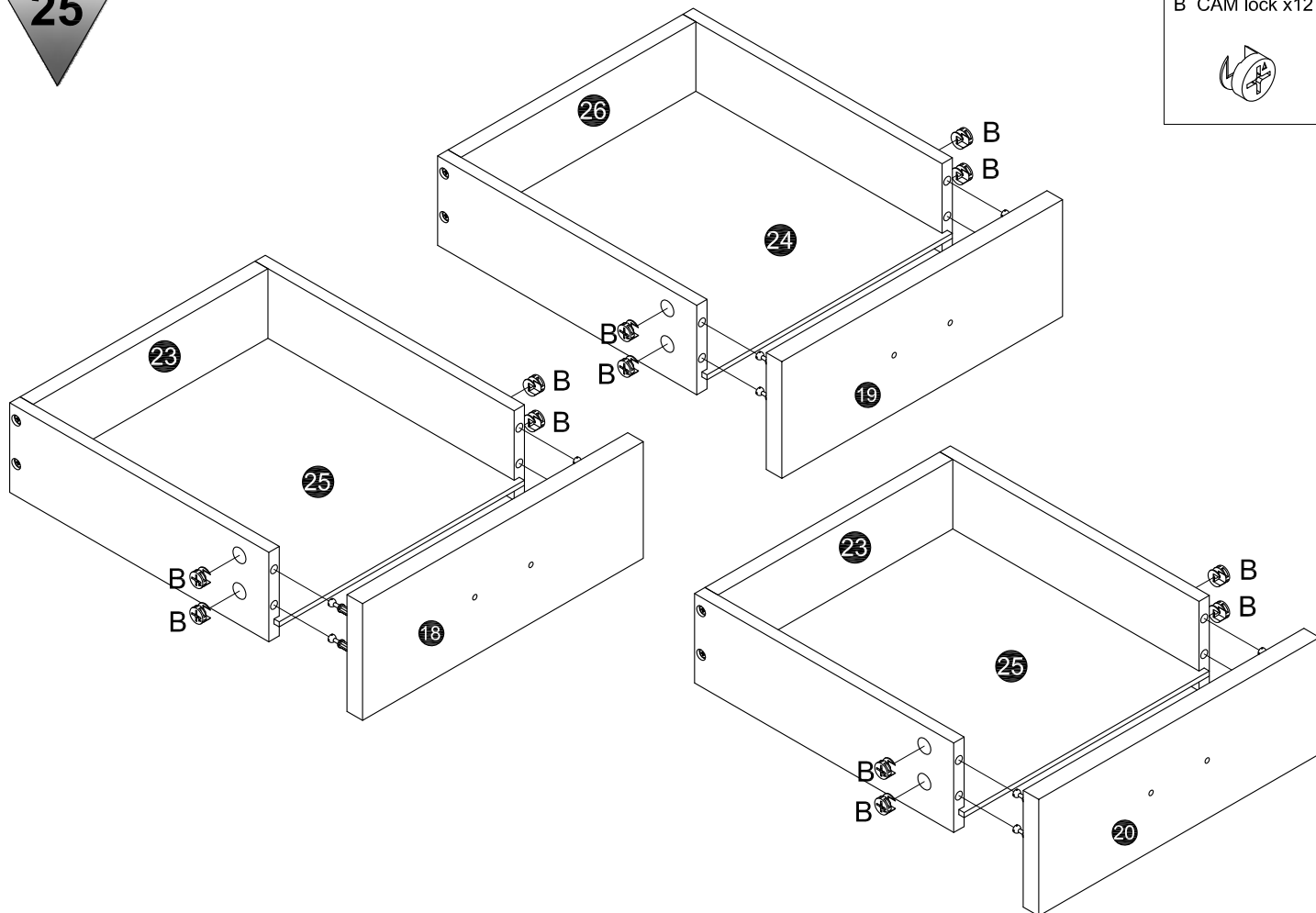


24



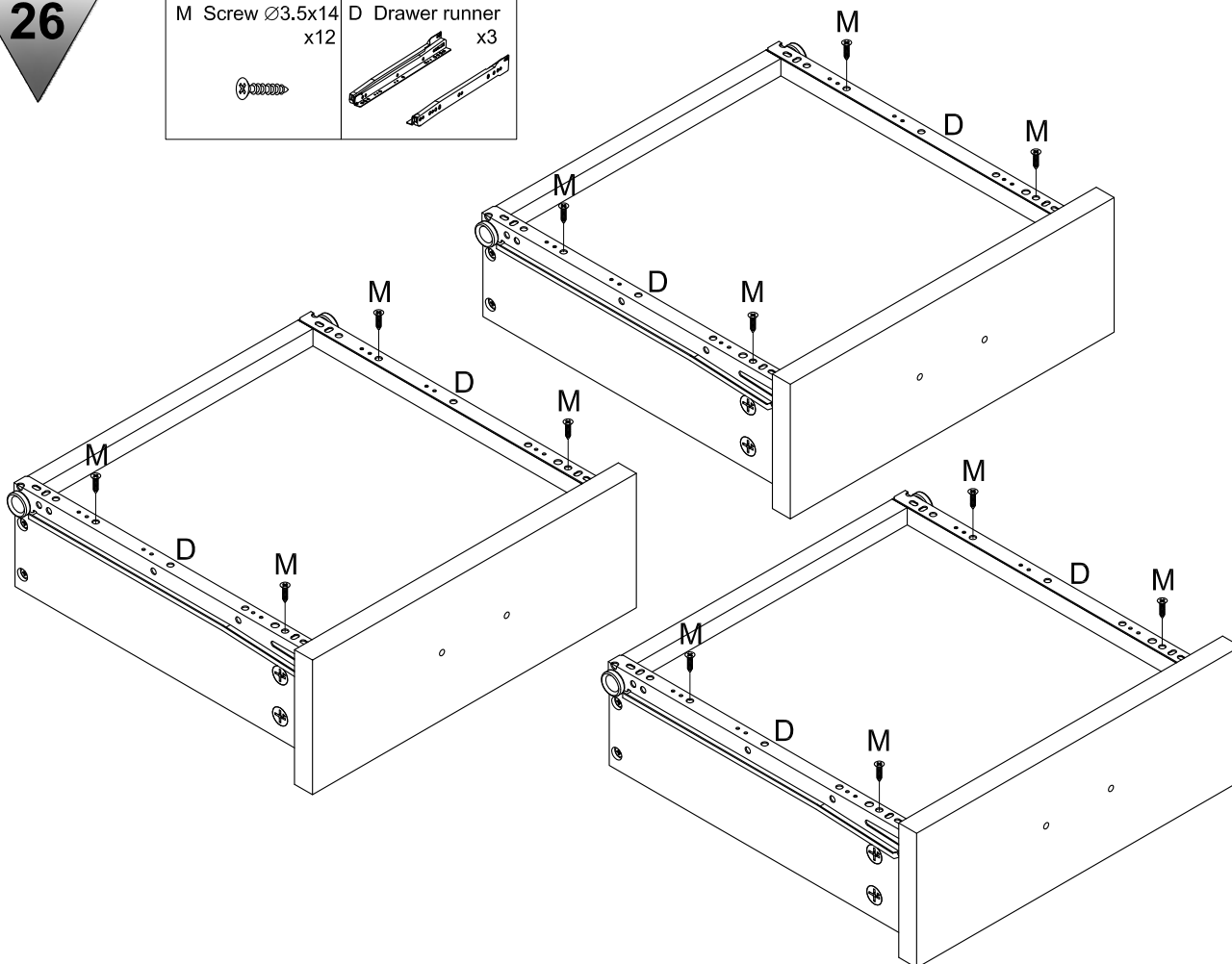
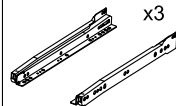
25

B CAM lock x12

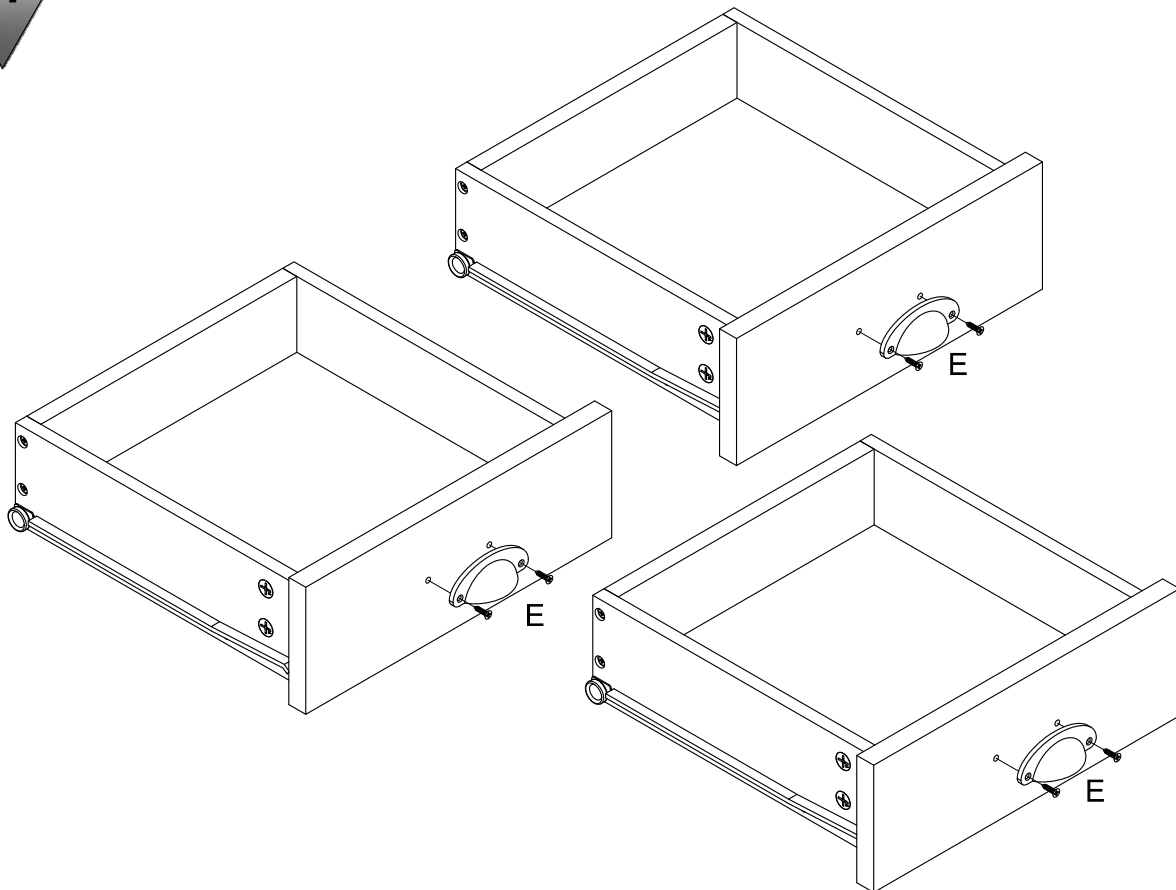
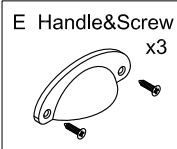


26

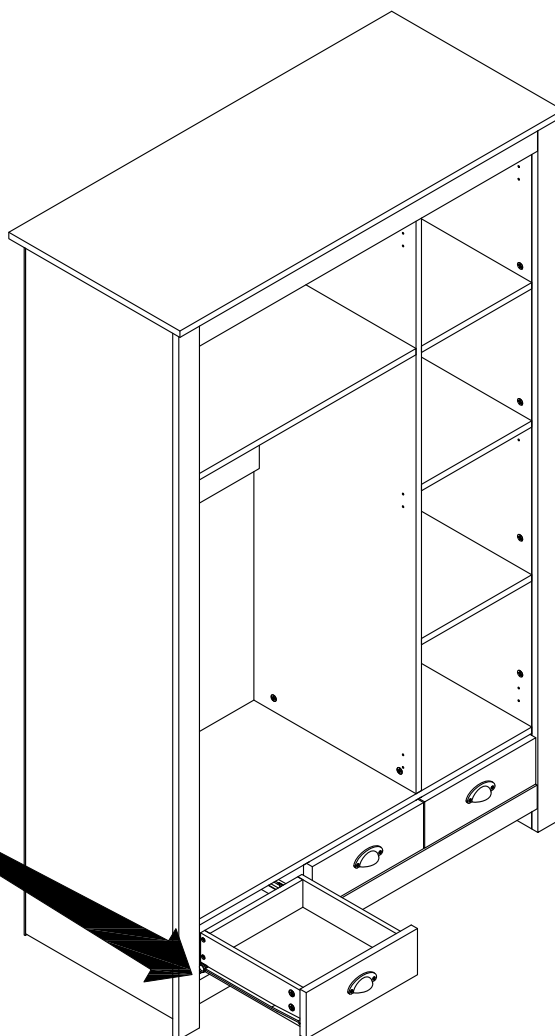
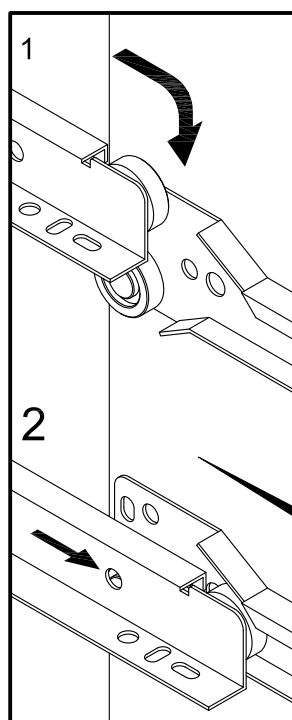
M Screw $\varnothing 3.5 \times 14$ x12
D Drawer runner x3



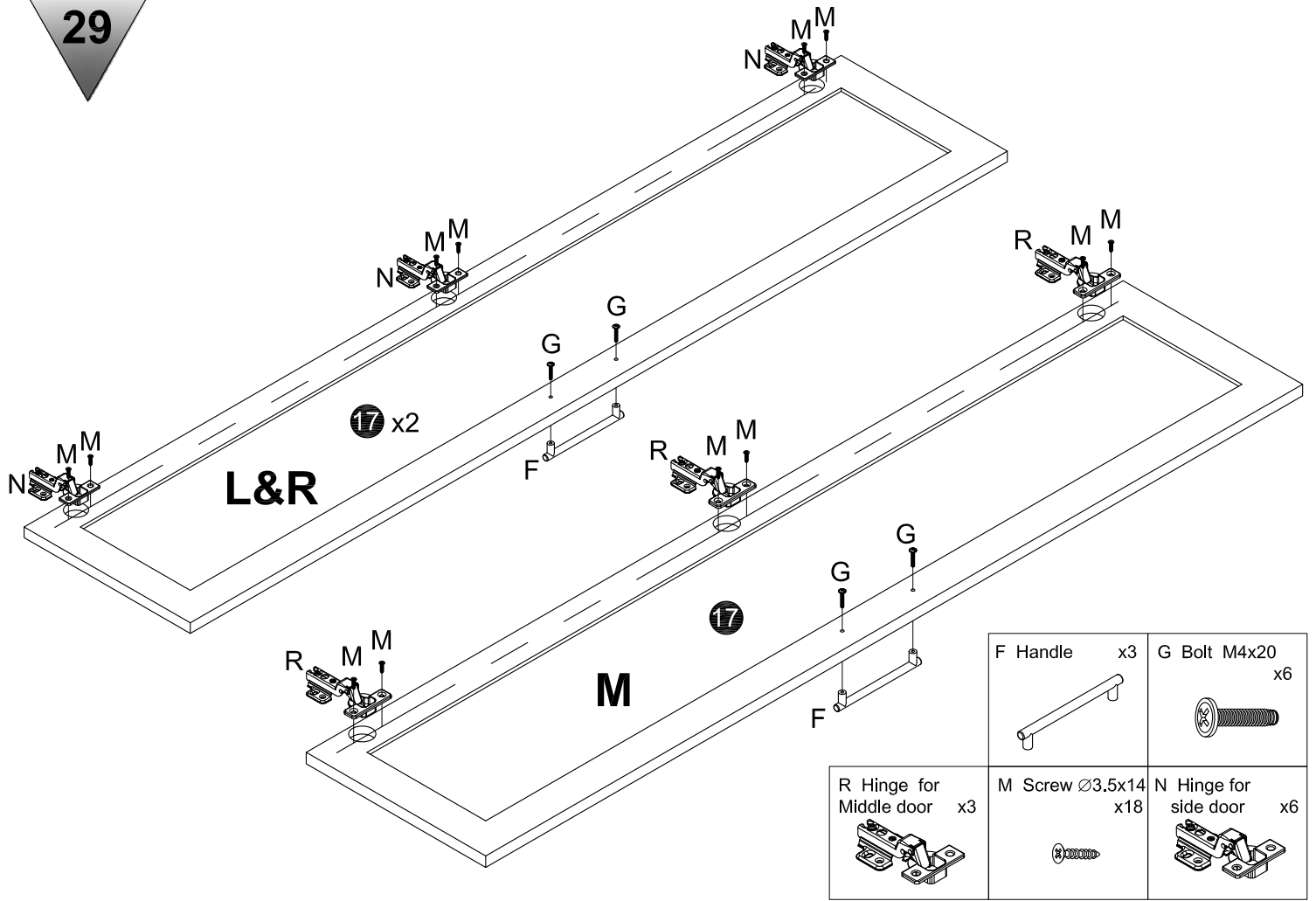
27



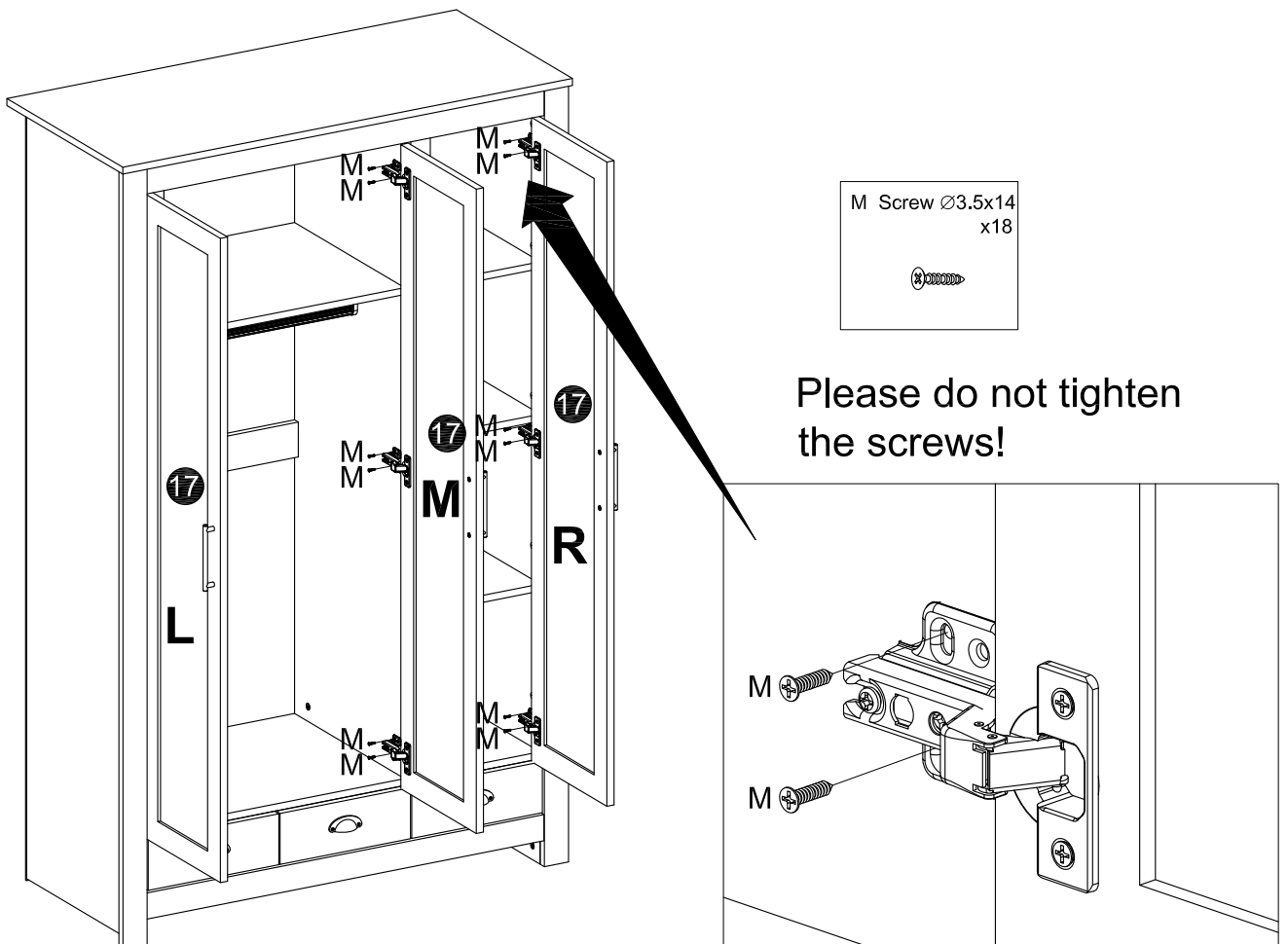
28

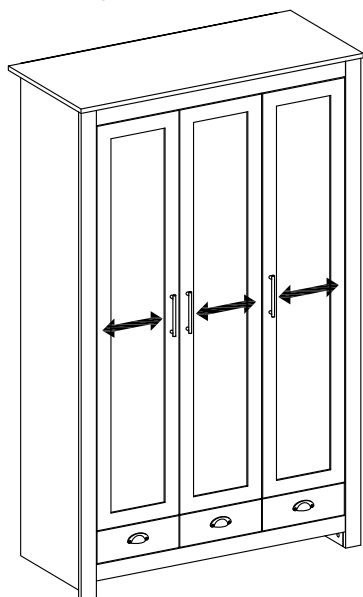


29

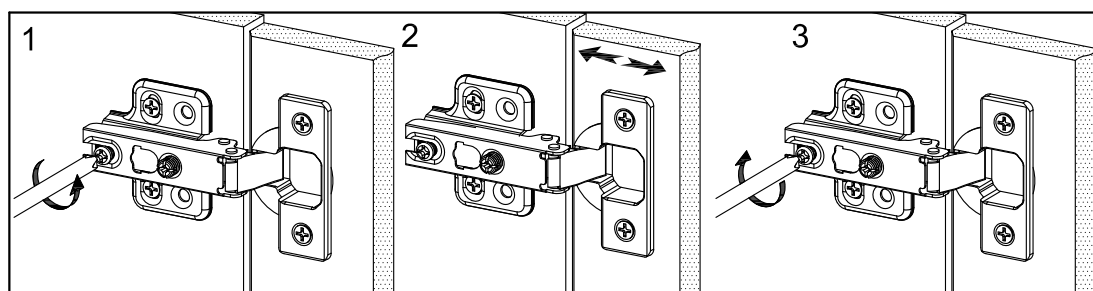
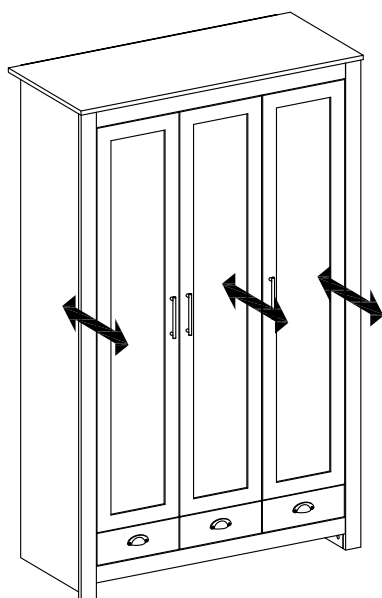
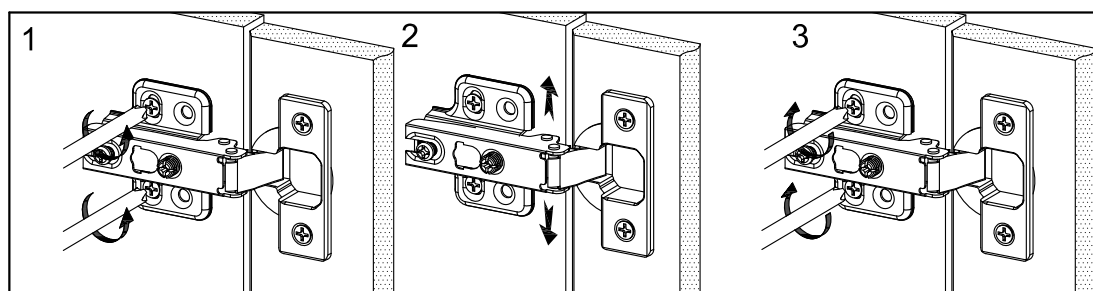
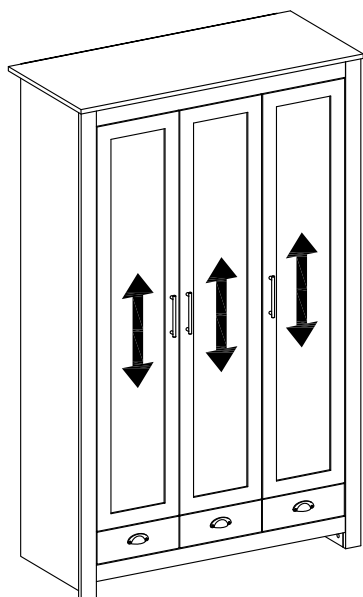
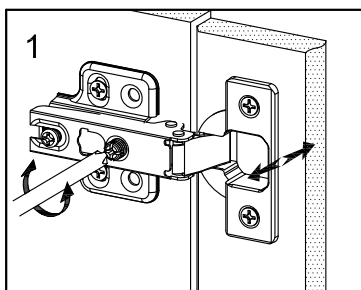


30



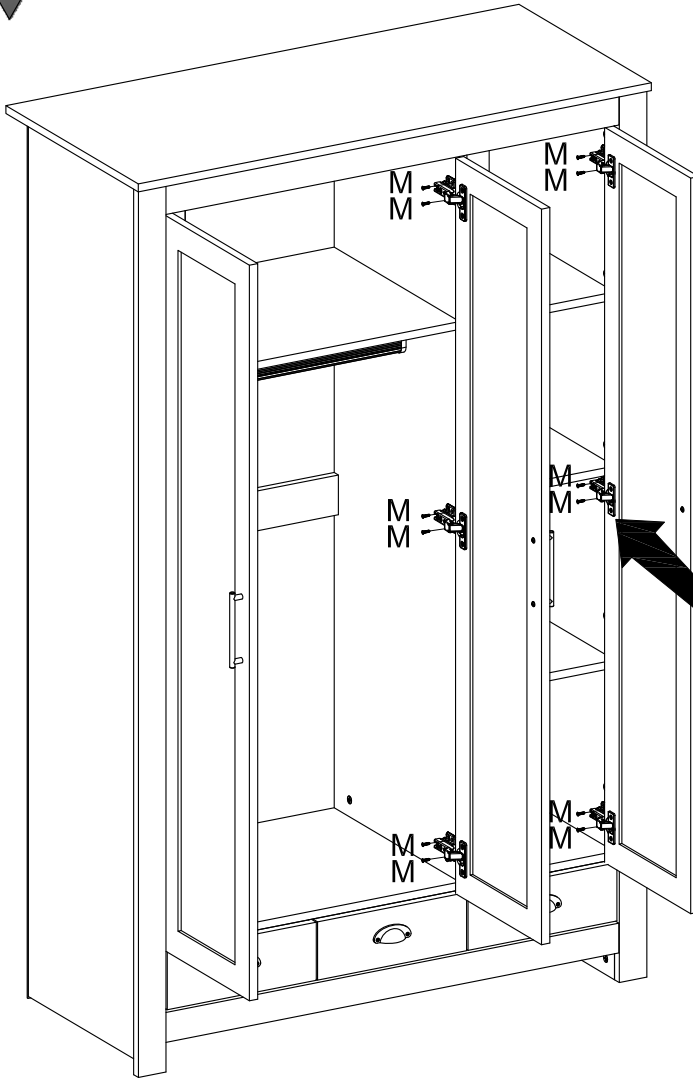


Adjusting the doors (Adjusting the hinges)

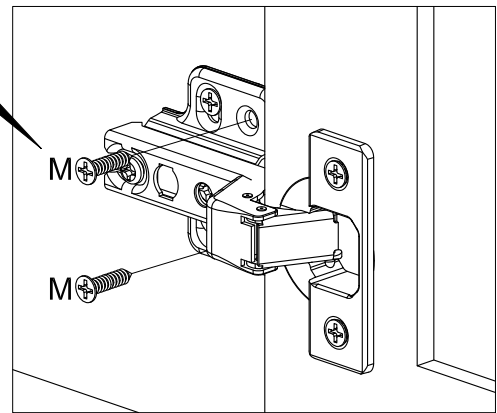


32

M Screw $\varnothing 3.5 \times 14$
x18

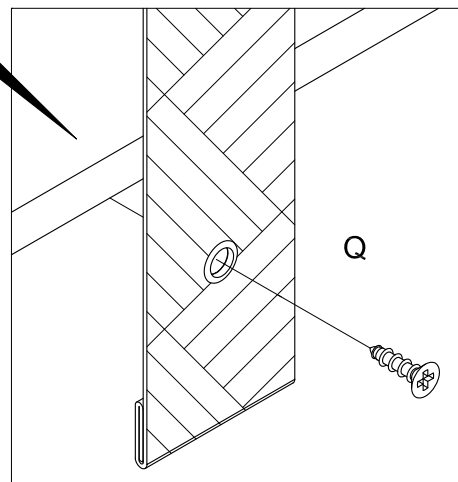
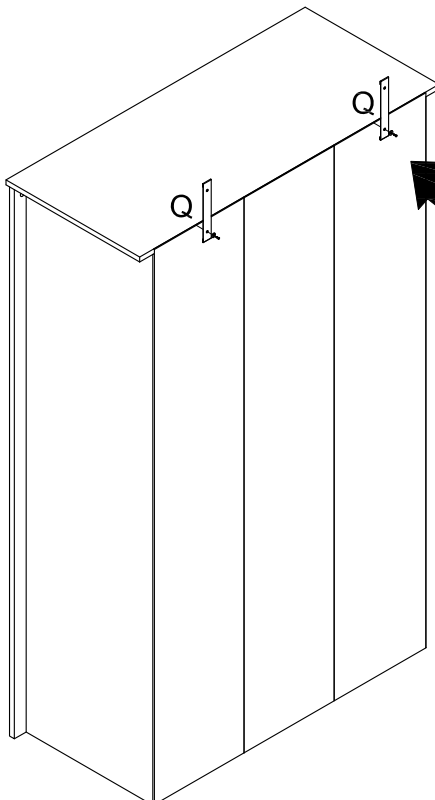


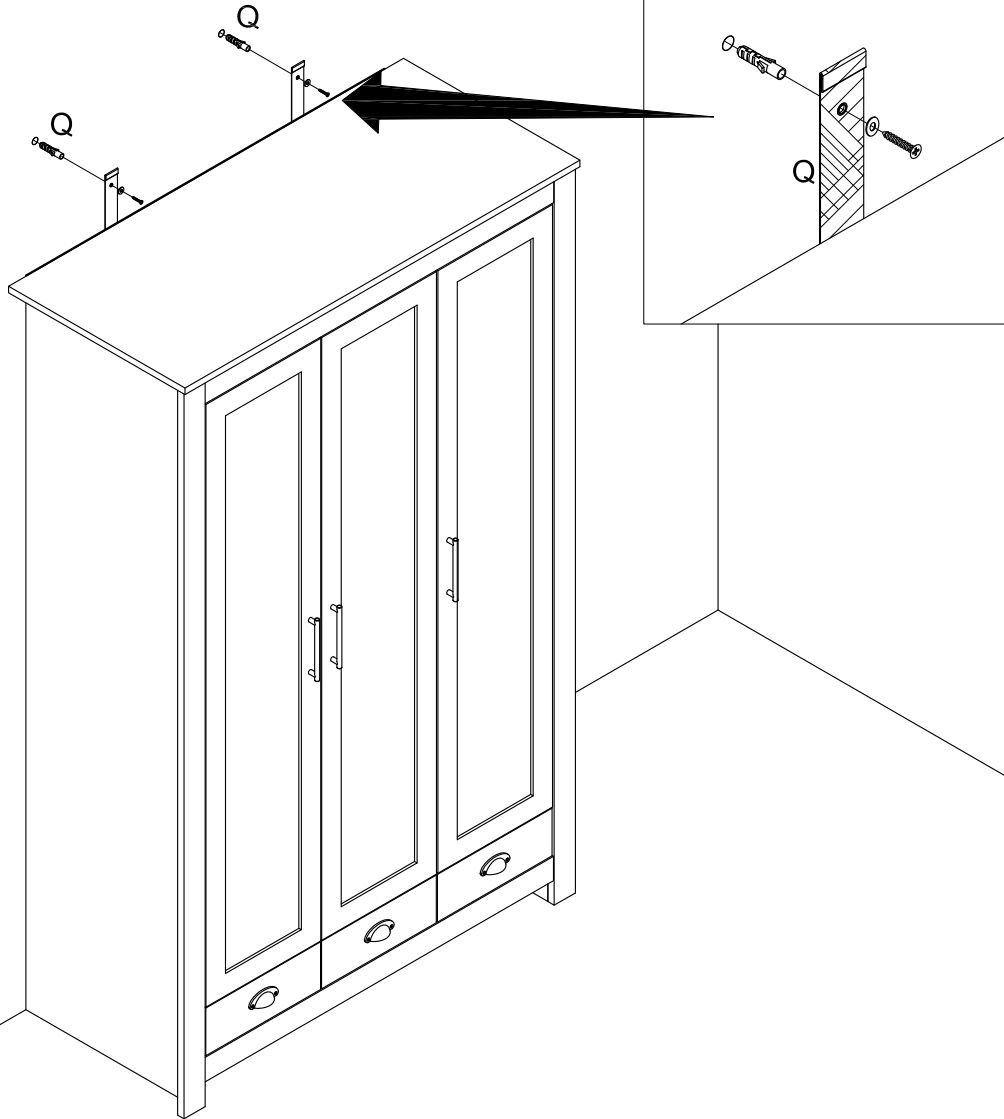
Before screwing the "M" screws
make sure your doors are well
adjusted.



33

Q Anti-falling
accessory x2





For assistance with assembly, or to request replacement parts, log onto our website or call Customer Service.

DO NOT RETURN THE PRODUCT TO THE STORE.

Si vous avez besoin d'aide pour le montage, ou pour demander des pièces de rechange, connectez-vous sur notre site Web ou appelez le service à la clientèle.

NE RETOURNEZ PAS LE PRODUIT AU MAGASIN.

Para obtener ayuda sobre el montaje o para solicitar piezas de repuesto, conéctese a nuestra página web o llame a Atención al cliente.

NO DEVUELVA EL PRODUCTO A LA TIENDA.

Wenn Sie Hilfe beim Aufbau oder Ersatzteile benötigen, melden Sie sich auf unserer Webseite an oder rufen Sie unseren Kundenservice an.

GEBEN SIE DAS PRODUKT NICHT IM GESCHÄFT ZURÜCK.

Als u hulp nodig heeft bij de montage of vervangende onderdelen wilt bestellen, kunt u inloggen op onze website of bellen met de klantenservice.

BRENG HET PRODUCT NIET TERUG NAAR DE WINKEL.

Per assistenza al montaggio, o per richiedere pezzi di ricambio, accedi al nostro sito o chiama il servizio clienti.

NON RESTITUIRE IL PRODOTTO AL NEGOZIO.

Para obter ajuda na montagem, ou para solicitar peças de substituição, inicie a sessão no nosso sítio da Internet ou ligue para o Serviço de Apoio ao Cliente.

NÃO DEVOLVA O PRODUTO À LOJA.

US,

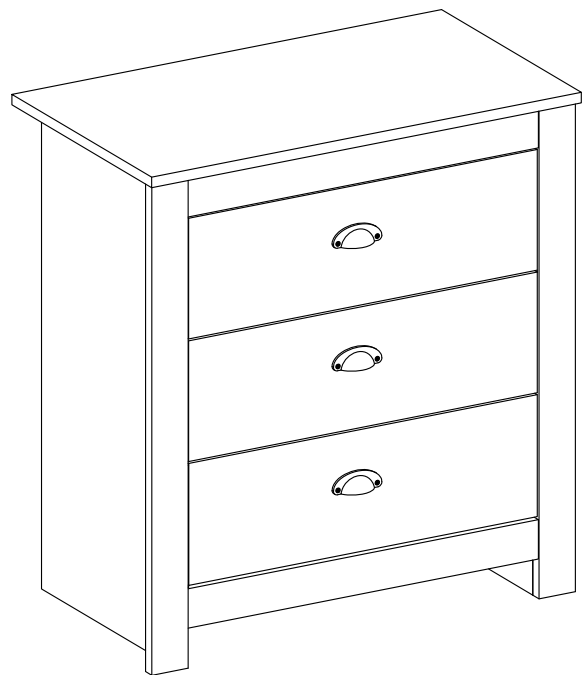
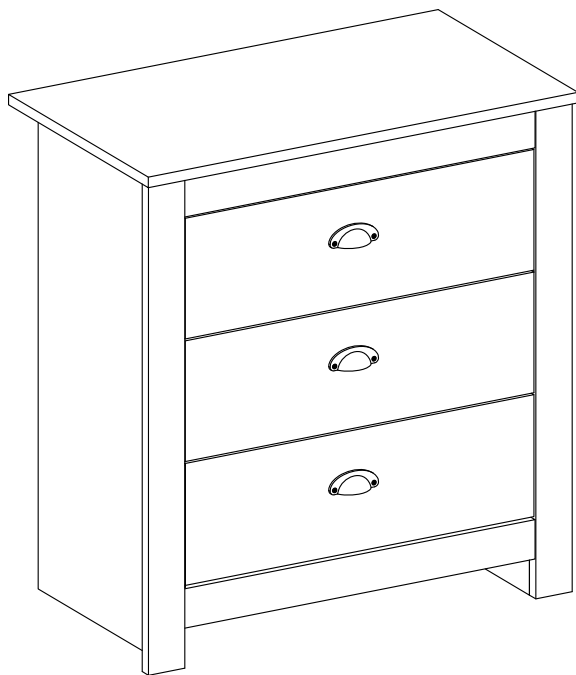
UK:
DREAMS LIVING LIMITED.




Spain:

Other European Countries:

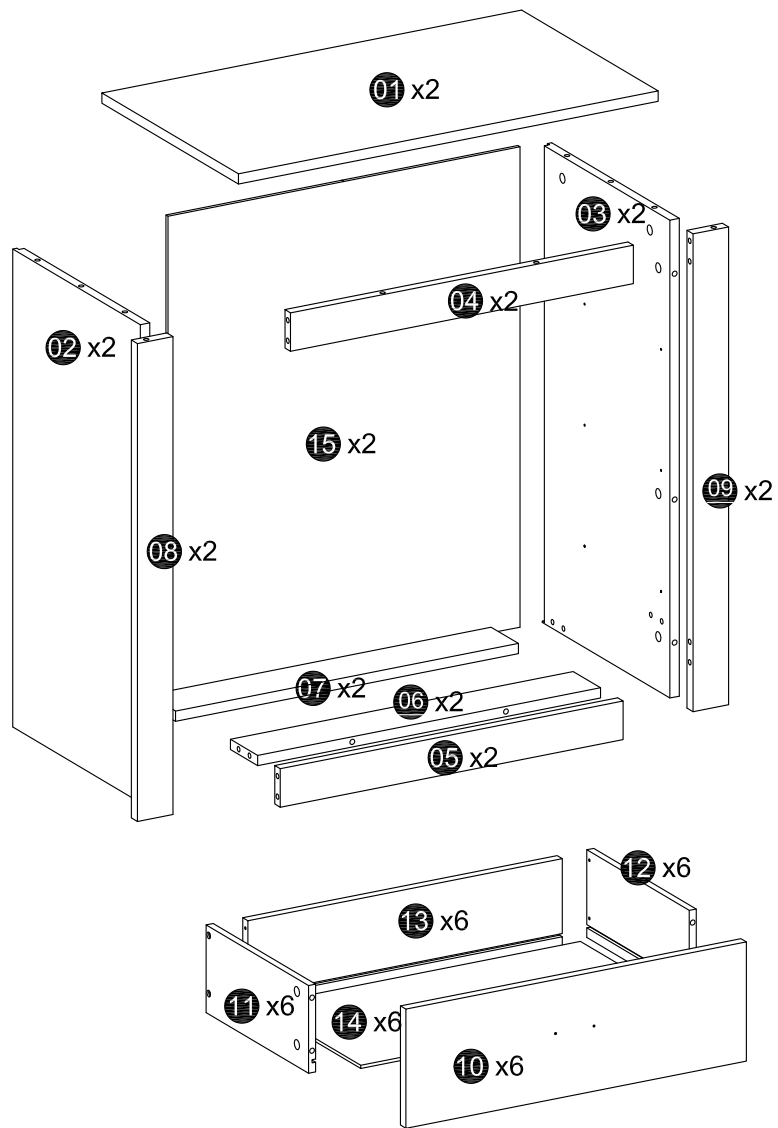
3 Drawers chest

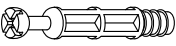

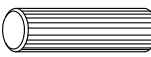
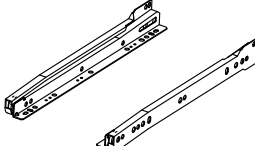
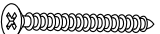
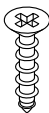

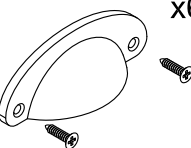
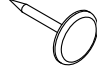
USER MANUAL | MODE D'EMPLOI | MANUAL DEL USUARIO | GEBRAUCHSANLEITUNG |
GEBRUIKSHANDLEIDING | MANUALE PER L'UTENTE | MANUAL DO UTILIZADOR



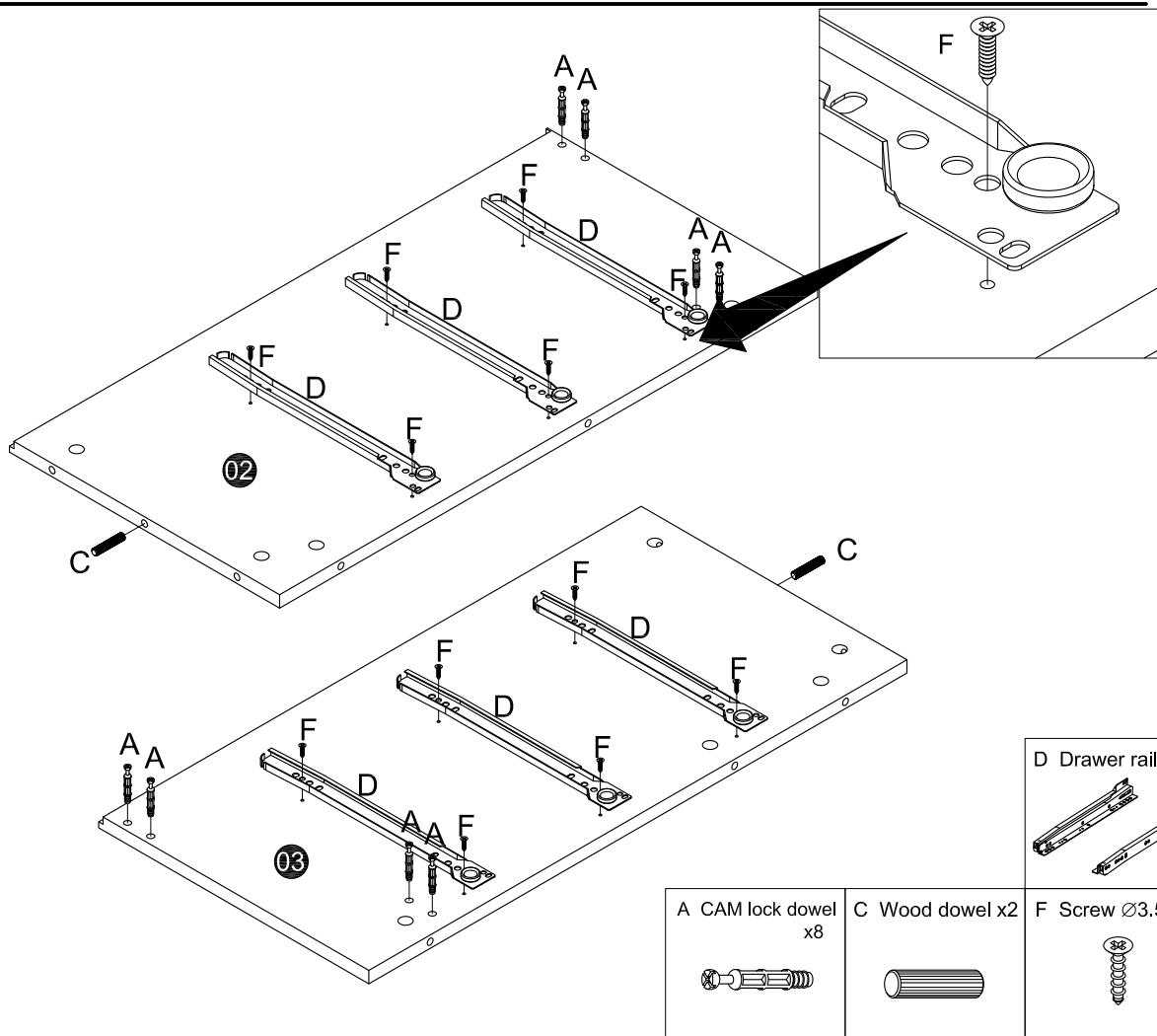
	<p>Please keep your original packages , due to health and safety reasons , we cannot accept returns without original packages .</p> 	
---	--	---

We will resolve the issues for you within 1 working day!

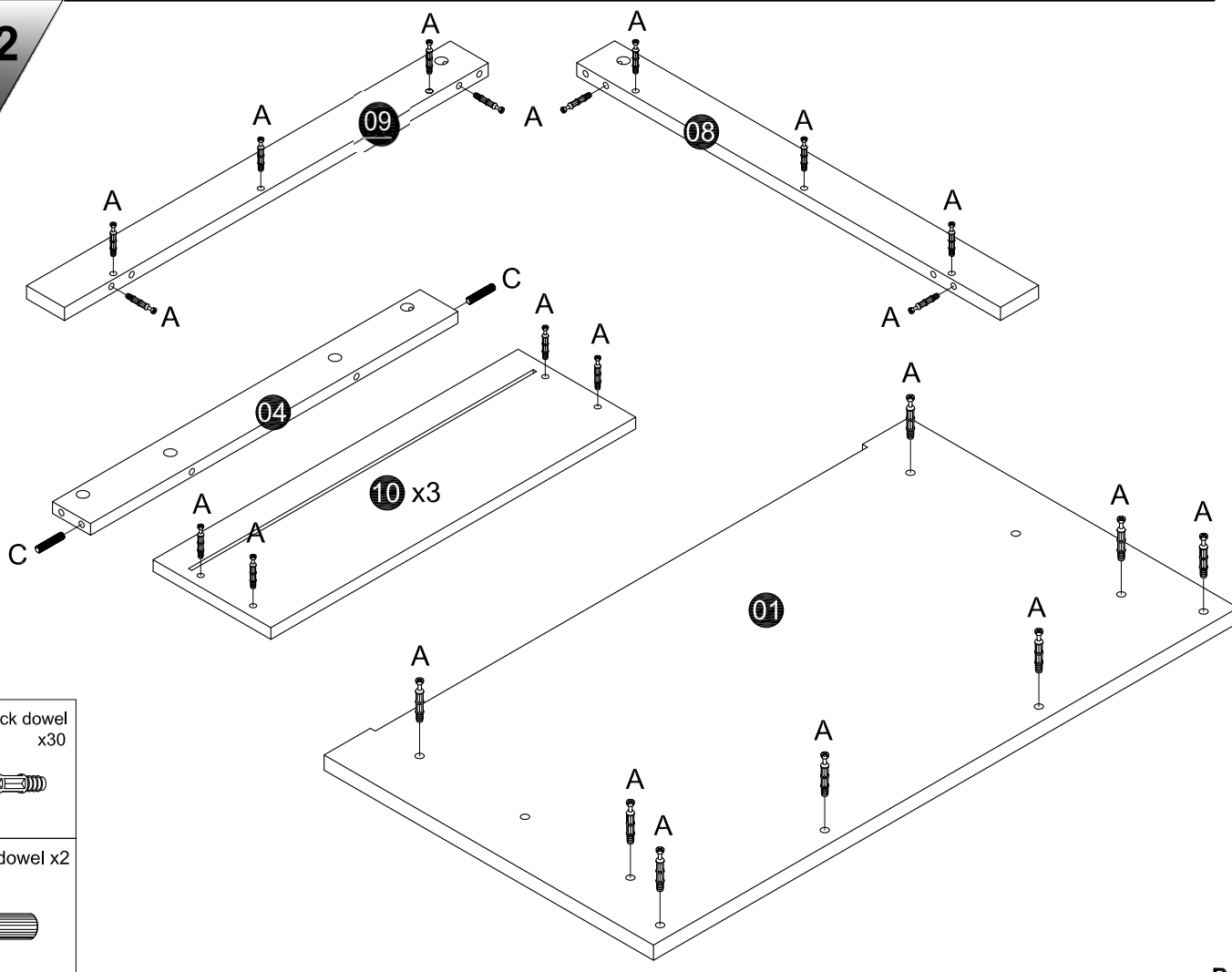


<p>A CAM lock dowel x80</p> 	<p>B CAM lock x80</p> 	<p>C Wood dowel x12</p> 	<p>D Drawer rail x6</p> 	<p>E Screw $\varnothing 3.5 \times 35$ x24</p> 
<p>F Screw $\varnothing 3.5 \times 14$ x48</p> 	<p>G Nail</p> 	<p>H Handle & Screw x6</p> 	<p>I Nail Leg x8</p> 	

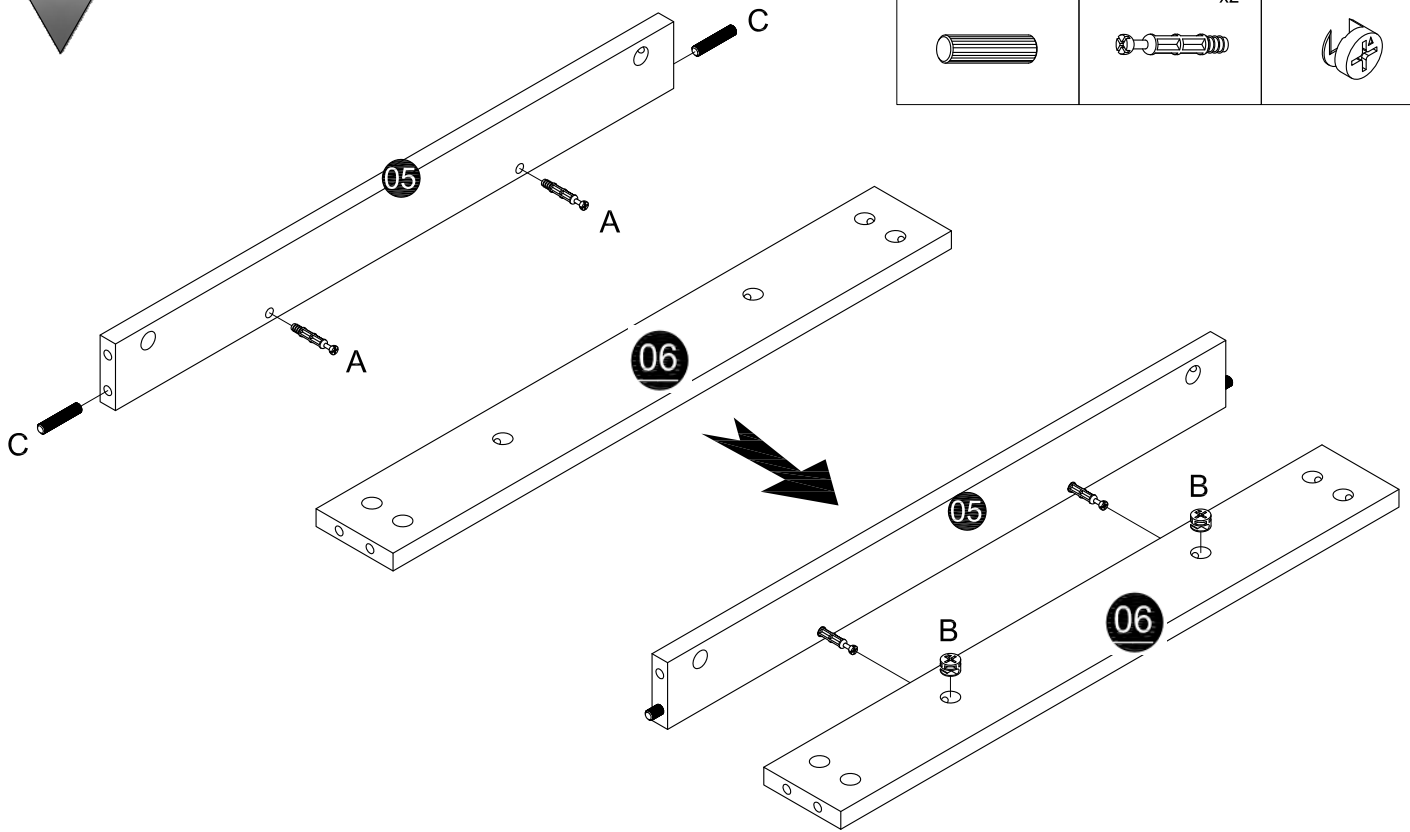
01



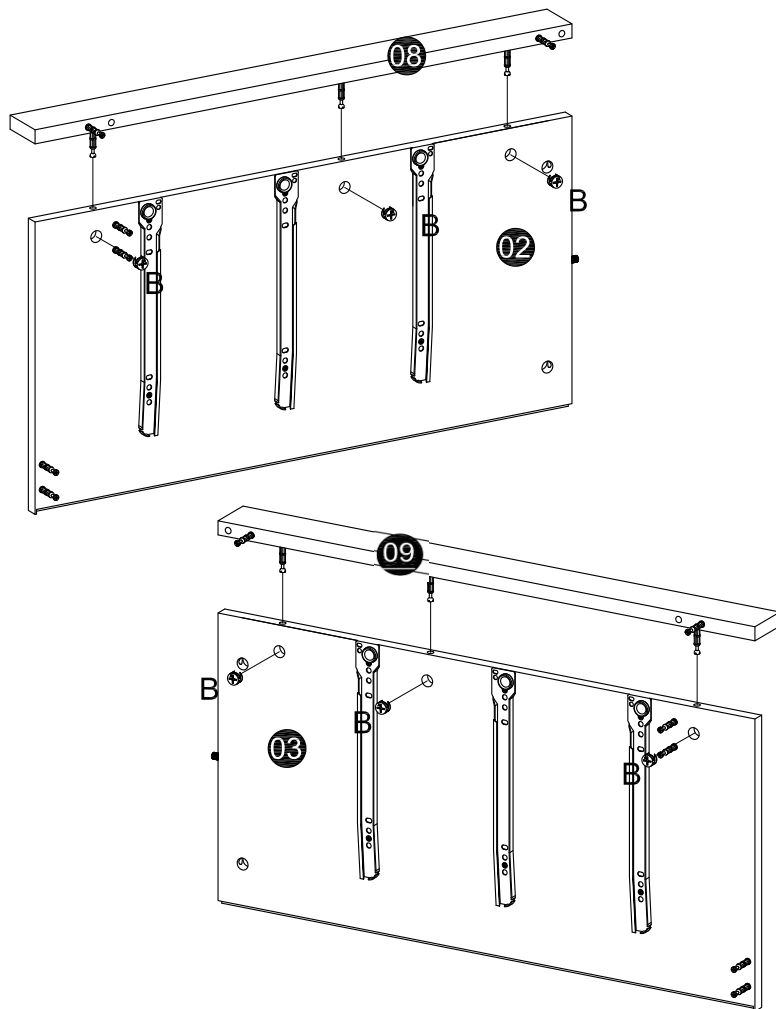
02



03



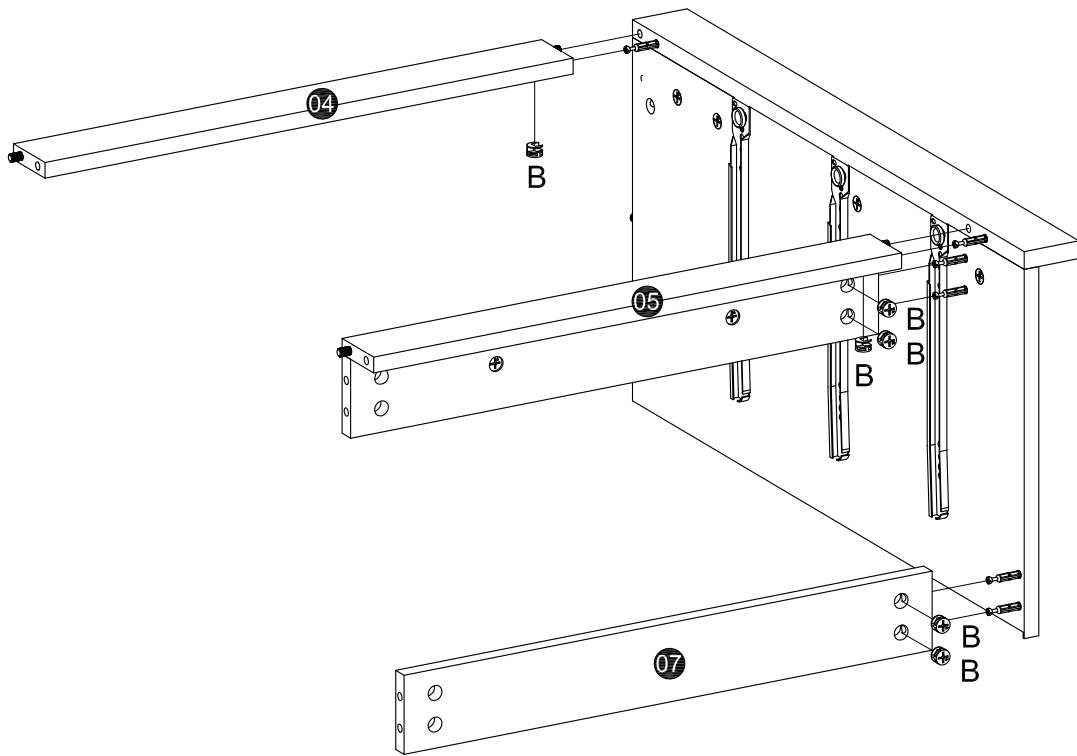
04



B CAM lock x8

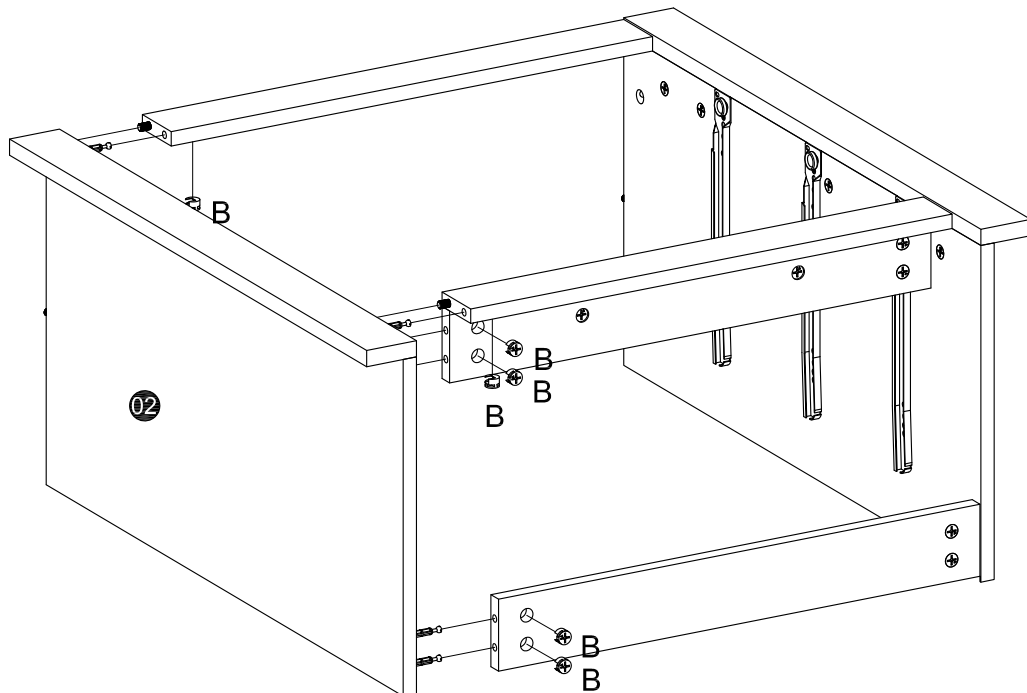
05

B CAM lock x8



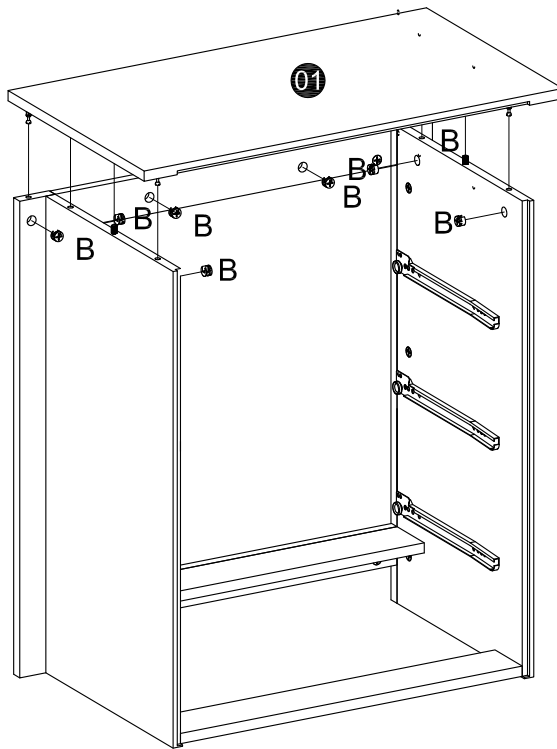
06

B CAM lock x8



07

B CAM lock x8



08

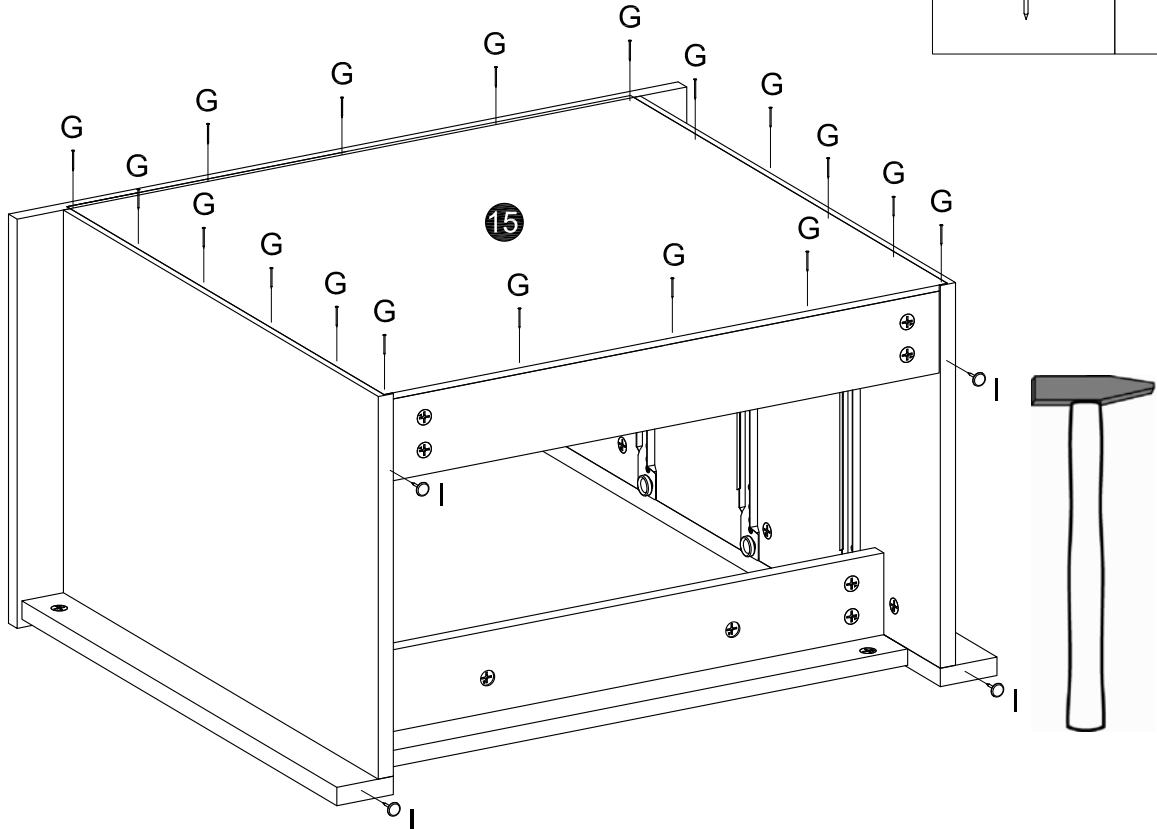
G Nail



I Nail leg

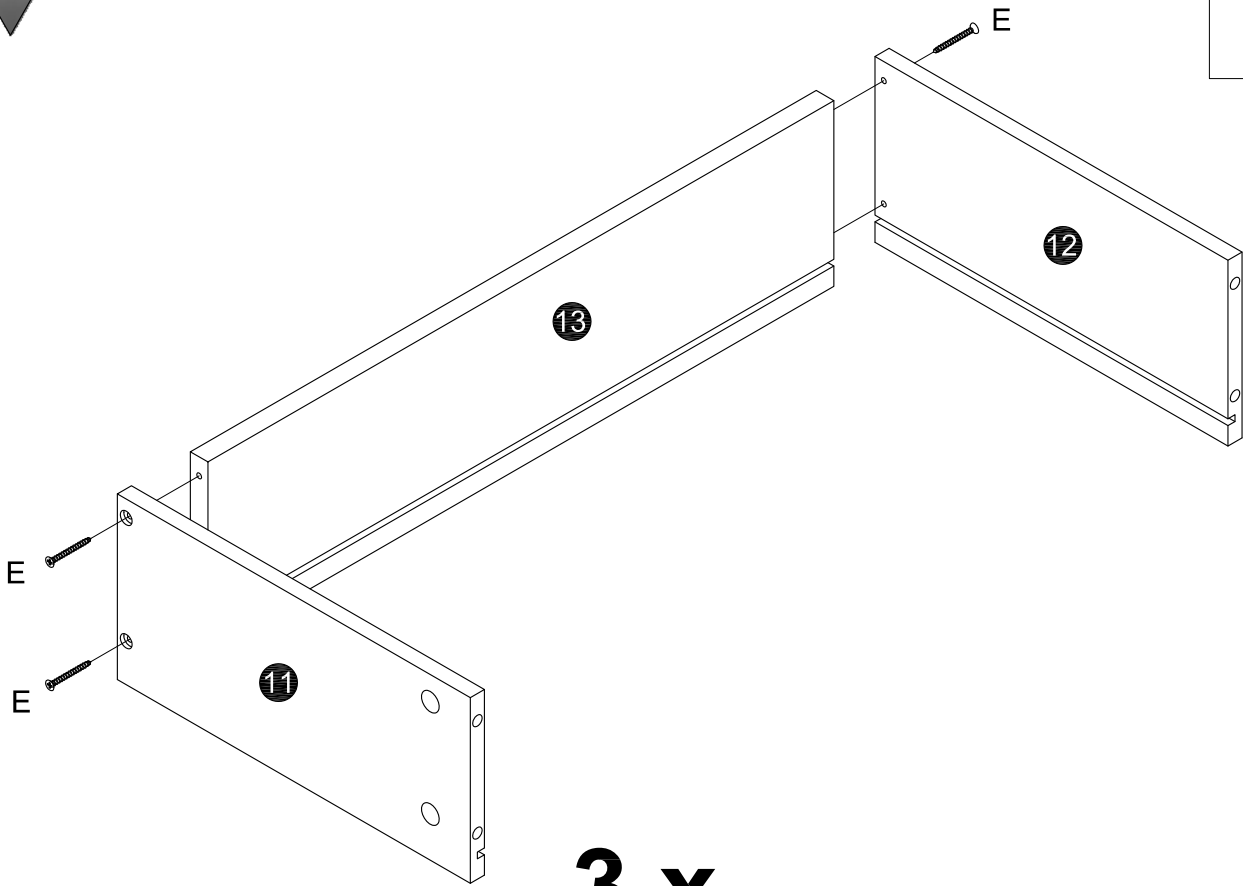


x4



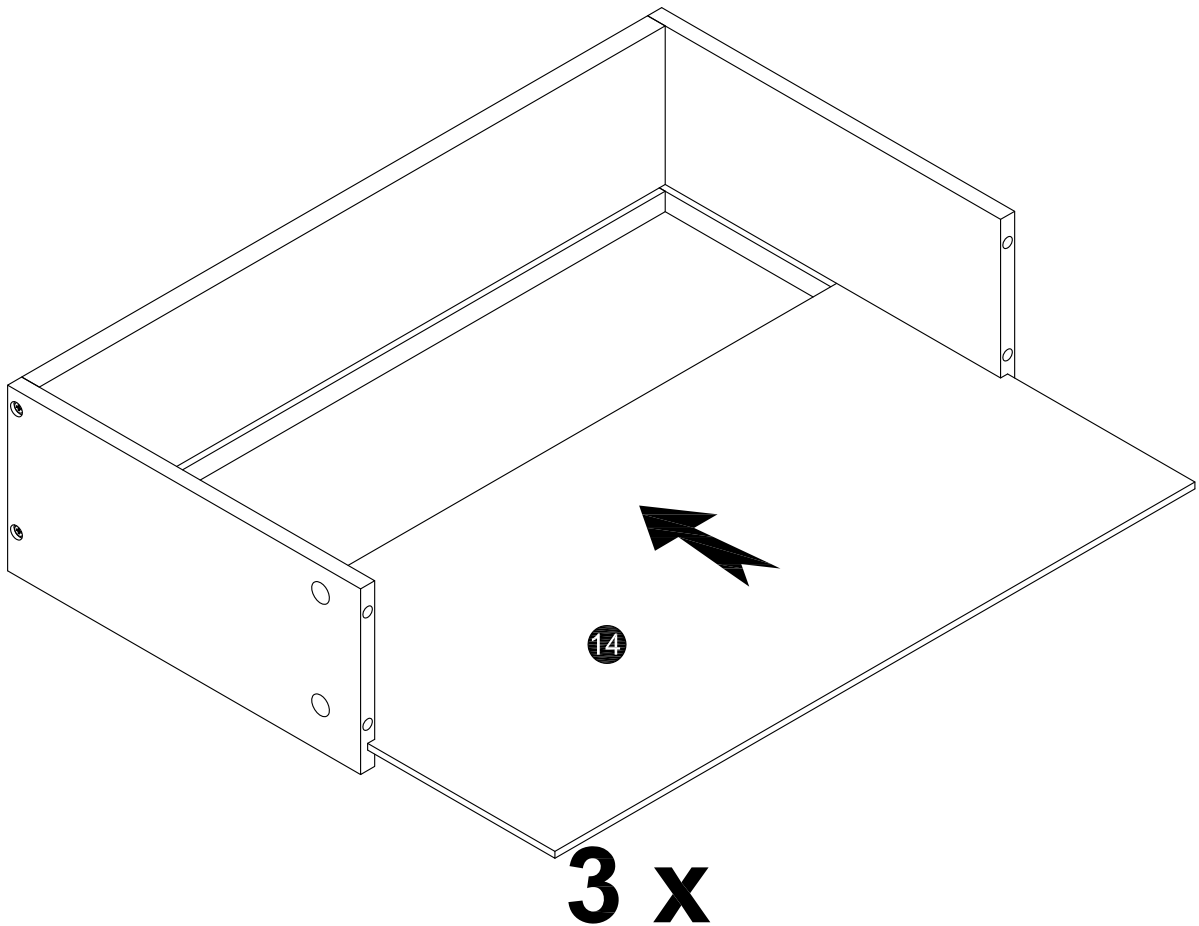
09

E Screw $\varnothing 3.5 \times 35$
x12



3 x

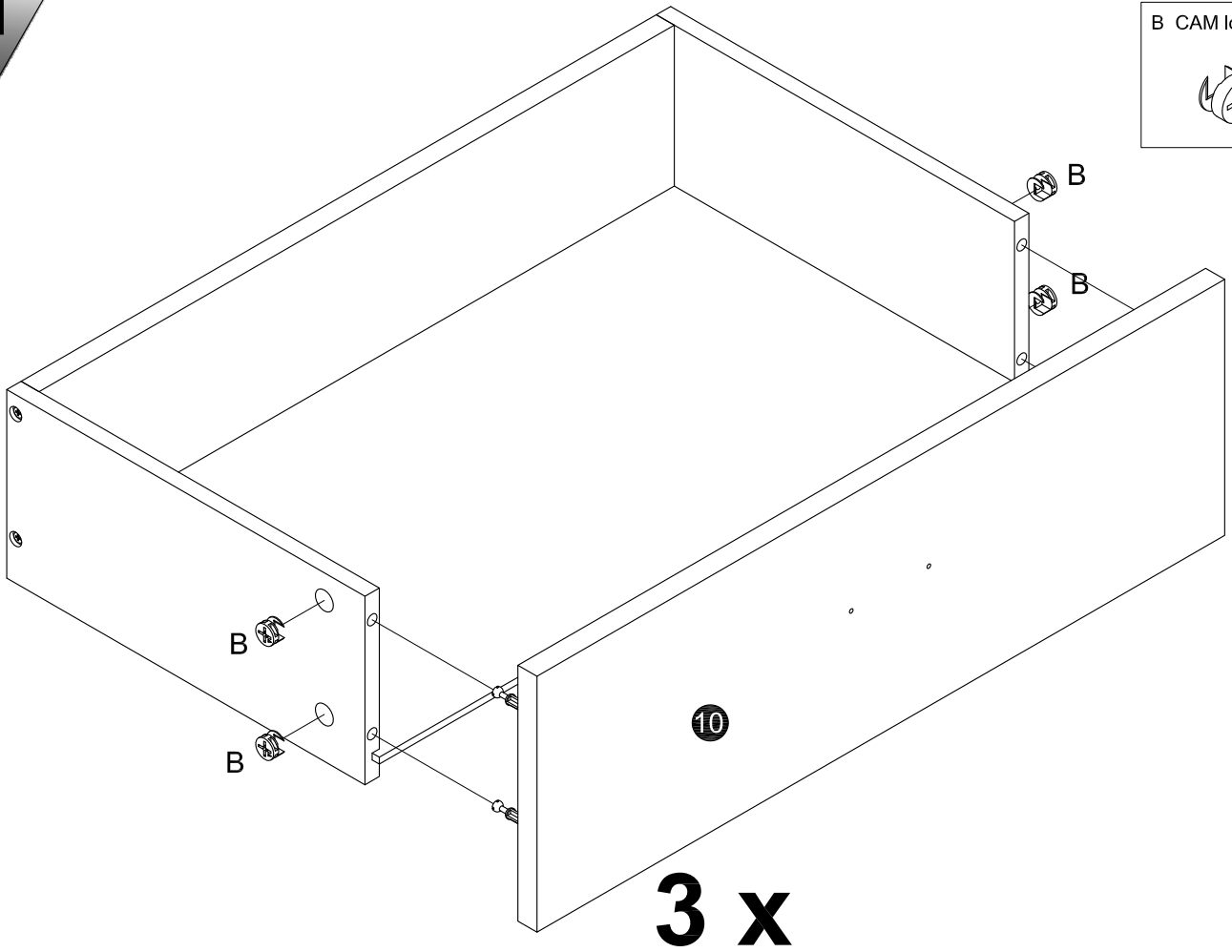
10



3 x

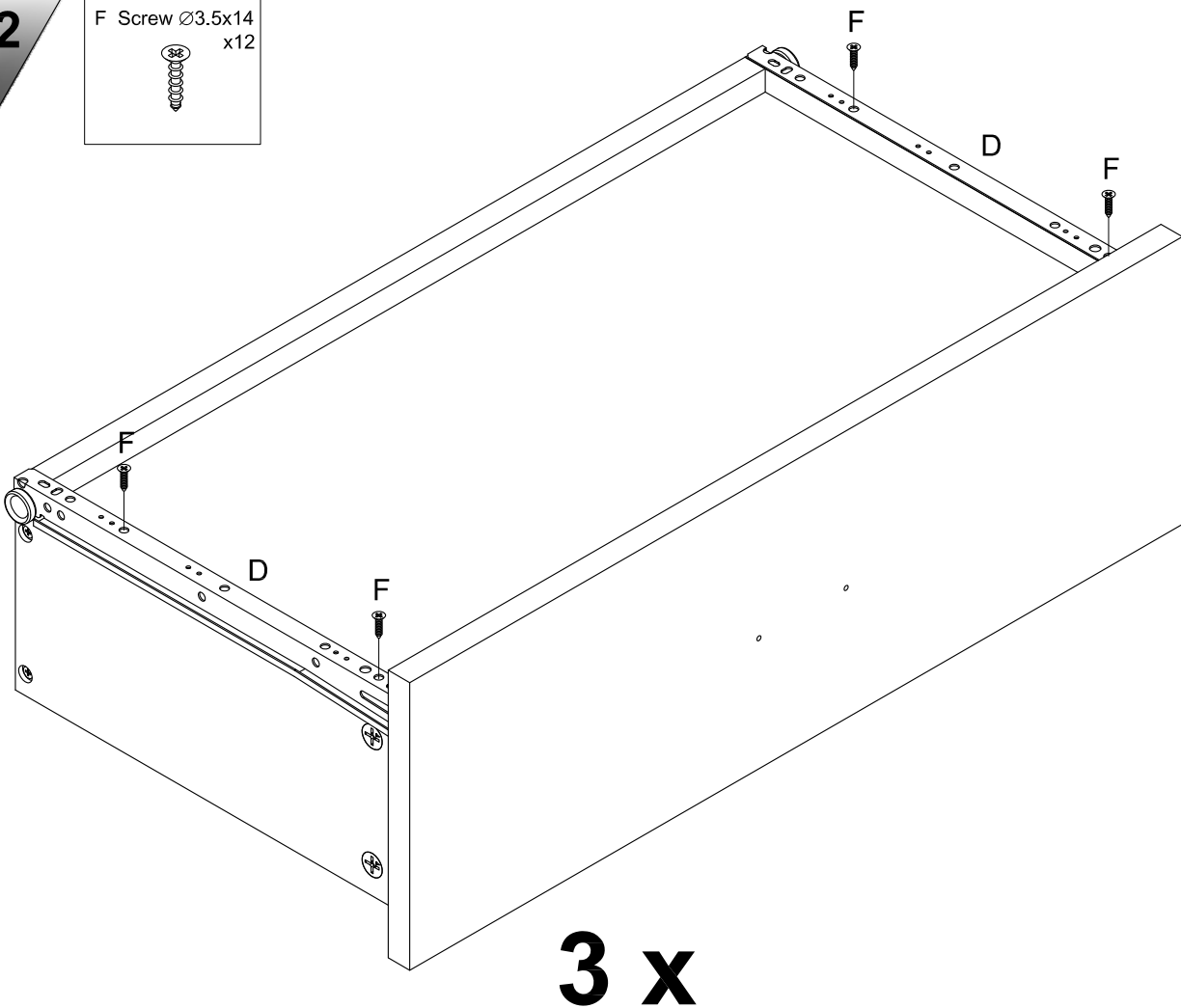
11

B CAM lock x12

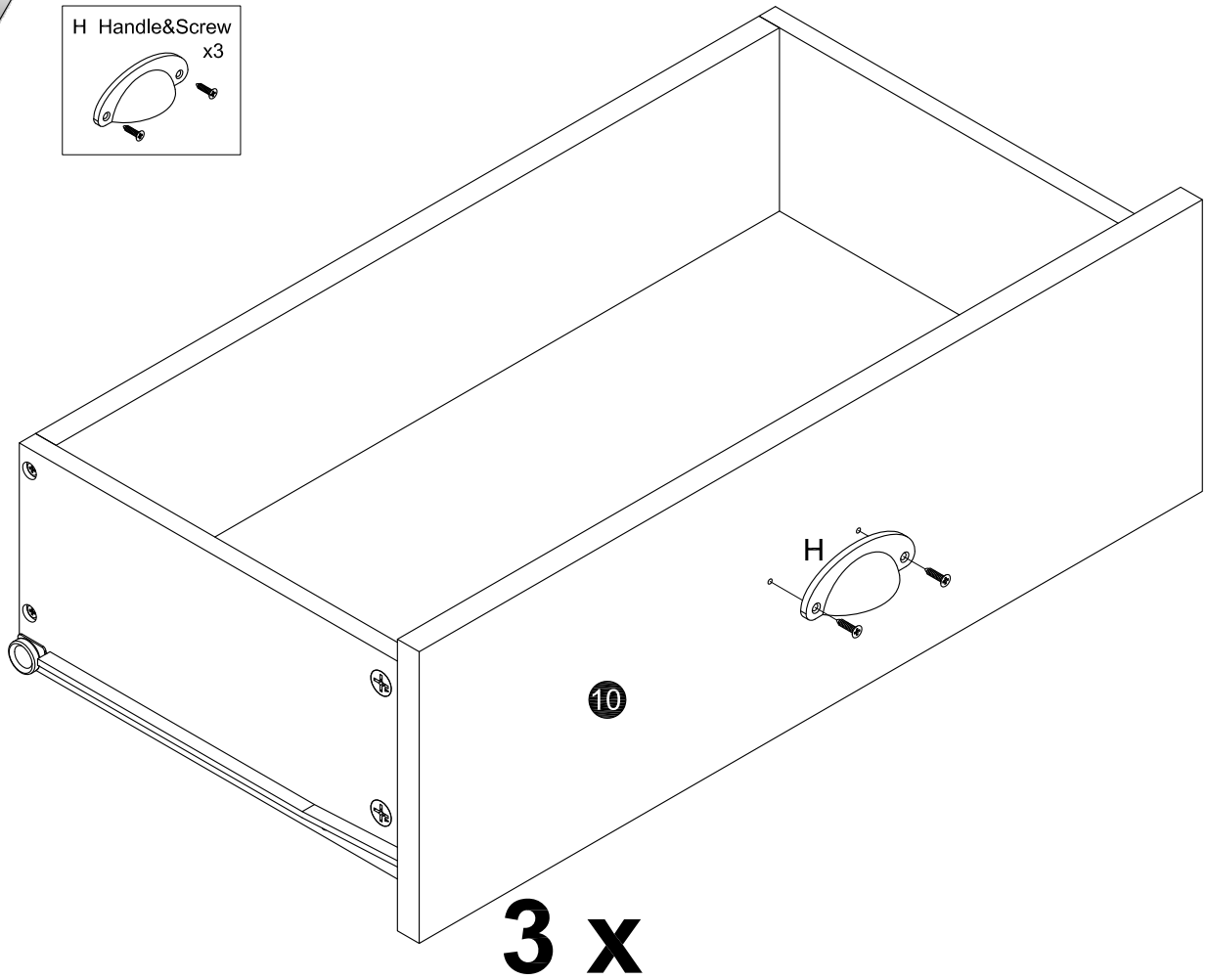
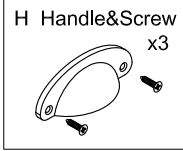


12

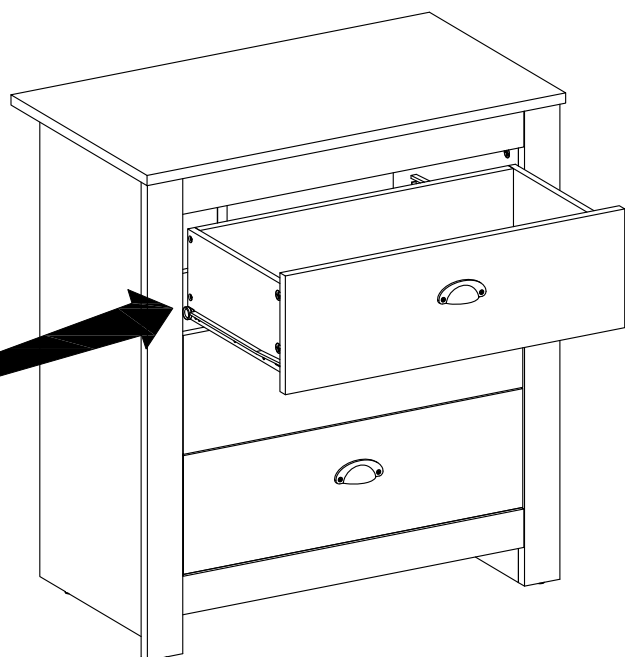
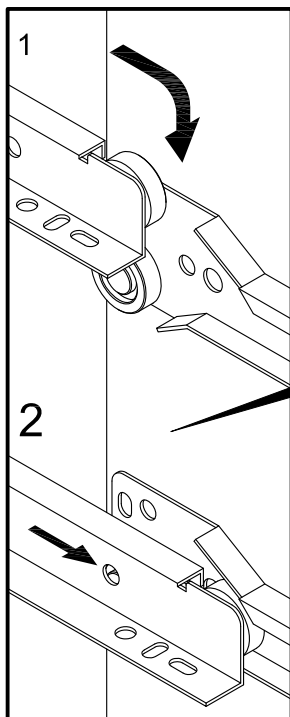
F Screw $\varnothing 3.5 \times 14$
x12



13



14





For assistance with assembly, or to request replacement parts, log onto our website or call Customer Service.

DO NOT RETURN THE PRODUCT TO THE STORE.

Si vous avez besoin d'aide pour le montage, ou pour demander des pièces de rechange, connectez-vous sur notre site Web ou appelez le service à la clientèle.

NE RETOURNEZ PAS LE PRODUIT AU MAGASIN.

Para obtener ayuda sobre el montaje o para solicitar piezas de repuesto, conéctese a nuestra página web o llame a Atención al cliente.

NO DEVUELVA EL PRODUCTO A LA TIENDA.

Wenn Sie Hilfe beim Aufbau oder Ersatzteile benötigen, melden Sie sich auf unserer Webseite an oder rufen Sie unseren Kundenservice an.

GEBEN SIE DAS PRODUKT NICHT IM GESCHÄFT ZURÜCK.

Als u hulp nodig heeft bij de montage of vervangende onderdelen wilt bestellen, kunt u inloggen op onze website of bellen met de klantenservice.

BRENG HET PRODUCT NIET TERUG NAAR DE WINKEL.

Per assistenza al montaggio, o per richiedere pezzi di ricambio, accedi al nostro sito o chiama il servizio clienti.

NON RESTITUIRE IL PRODOTTO AL NEGOZIO.

Para obter ajuda na montagem, ou para solicitar peças de substituição, inicie a sessão no nosso sítio da Internet ou ligue para o Serviço de Apoio ao Cliente.

NÃO DEVOLVA O PRODUTO À LOJA.

US,

UK:
DREAMS LIVING LIMITED.

Spain:

Other European Countries: