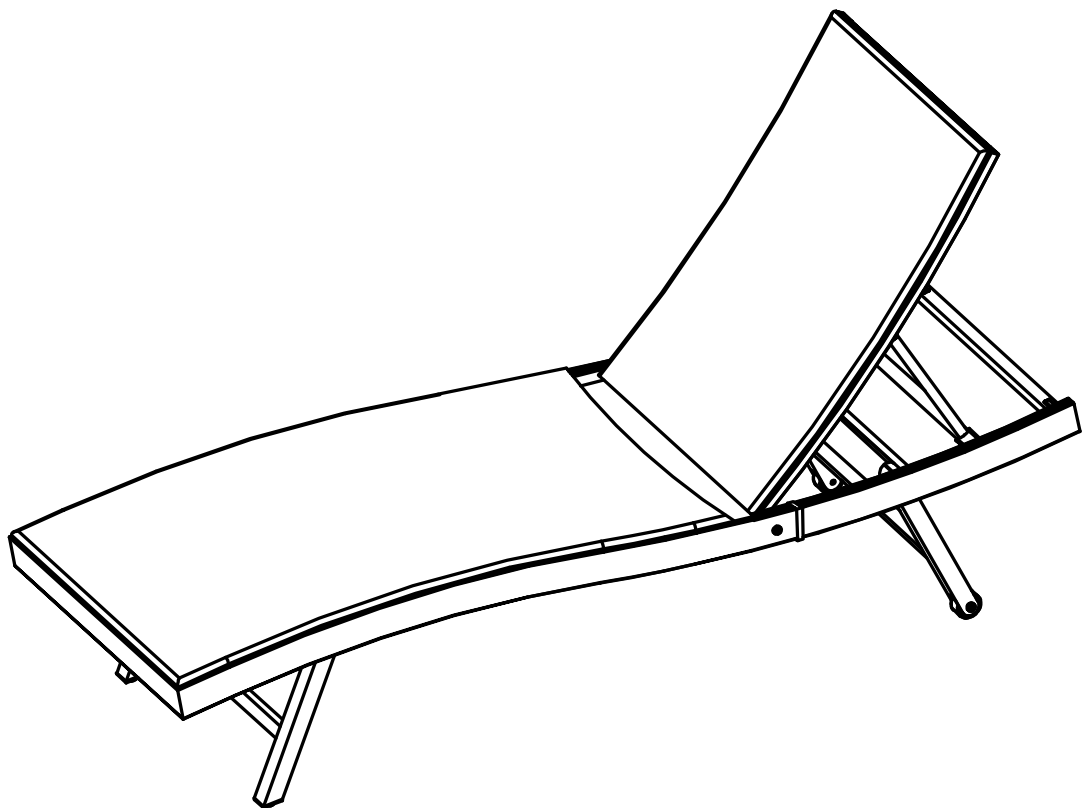


domi
outdoor living

Patio Chaise Lounge 2 PCS

ASSEMBLY MANUAL



MODEL#:LLFT0607

Missing part? Damaged? Contact us via email at

service@domioutdoorliving.com

www.domioutdoorliving.com

© Copyright 2023–2025 domi LLC. All Rights Reserved.

WARNING AND CAUTIONS

Before starting assembly:

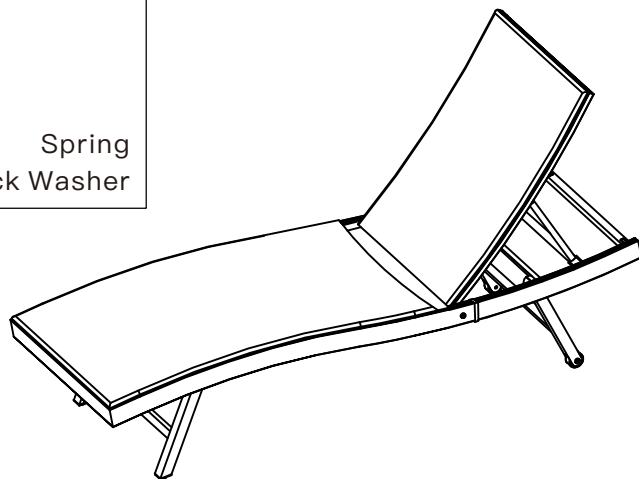
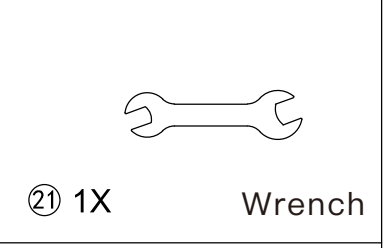
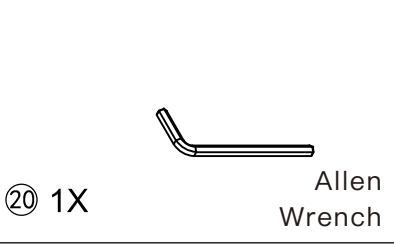
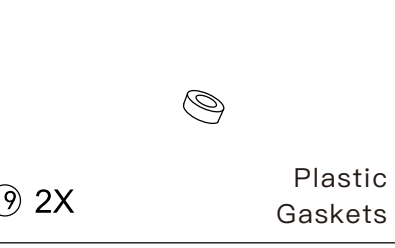
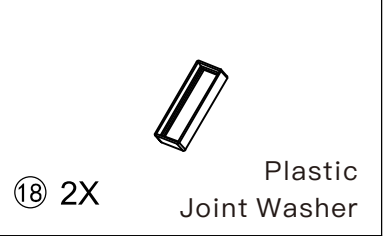
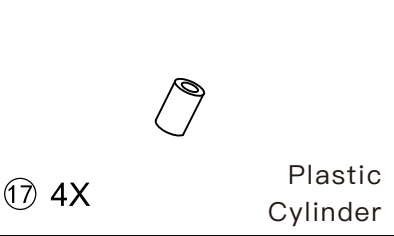
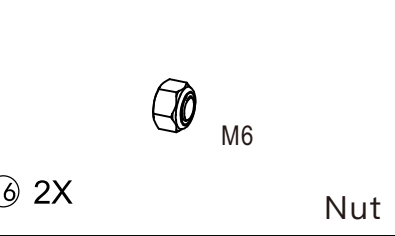
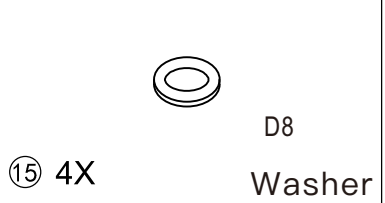
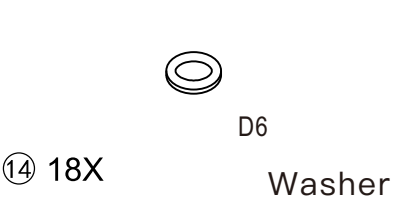
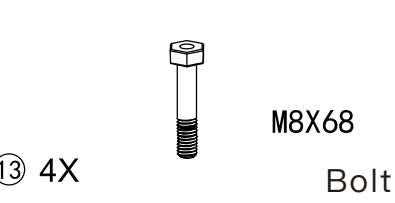
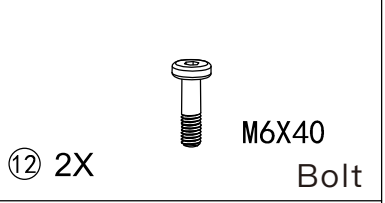
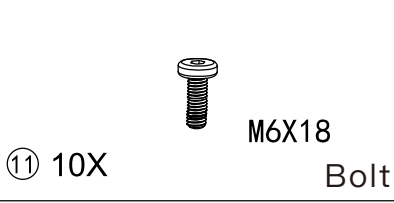
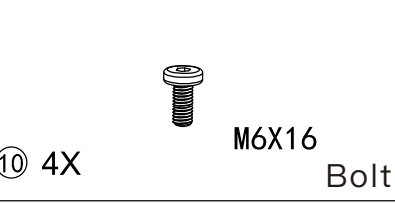
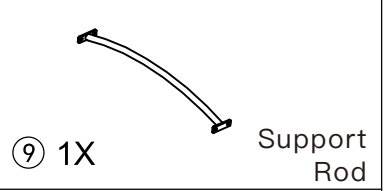
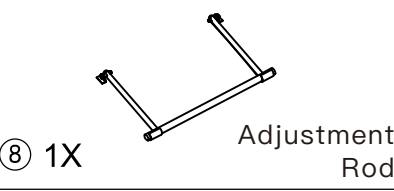
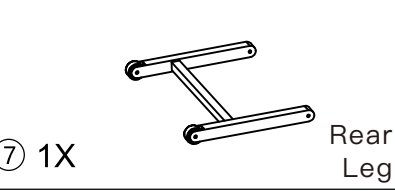
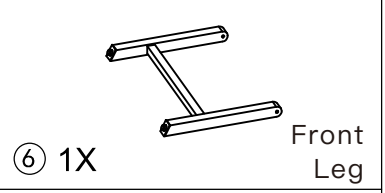
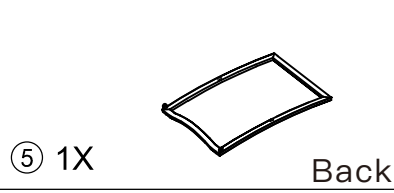
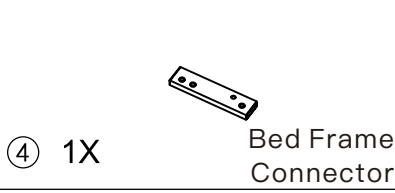
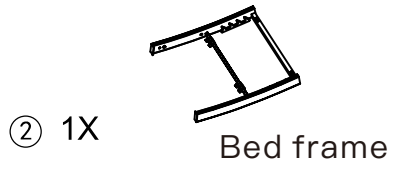
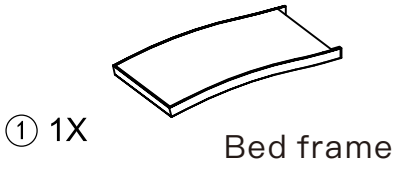
- Read all instructions thoroughly.
Open and check boxes for parts listed.
- If any parts are broken or missing call or email customer service.
- Keep all packaging until you are satisfied with your product.
- Returns are not accepted without original packaging.
- Make sure you have ample space for assembly.

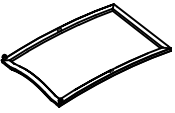
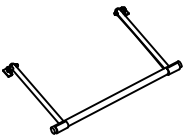


WARNING:

- DO NOT strain yourself. Some items are easier to assemble with the help of another person.
- DO NOT force bolts or nuts. If a bolt becomes stuck, unscrew it and start again.
- DO NOT assemble on an uneven surface to prevent any damage and to ensure proper assembly.

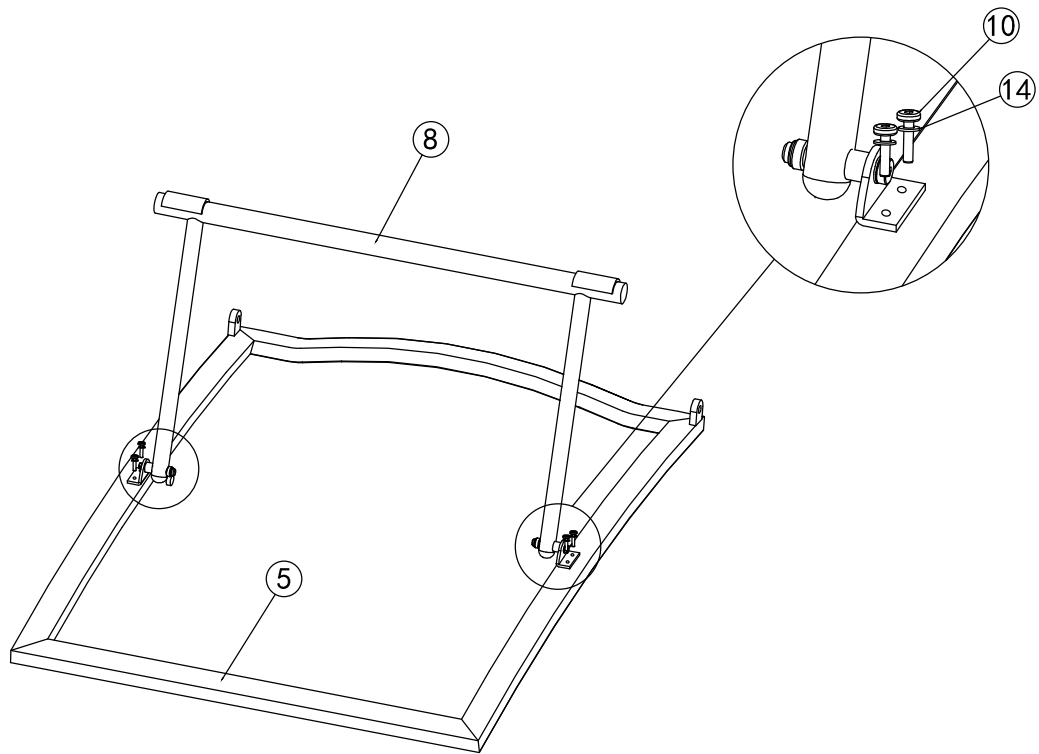
Important:

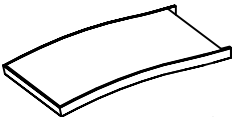
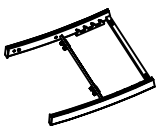
- **DO NOT fully tighten all screws until assembly is complete.**



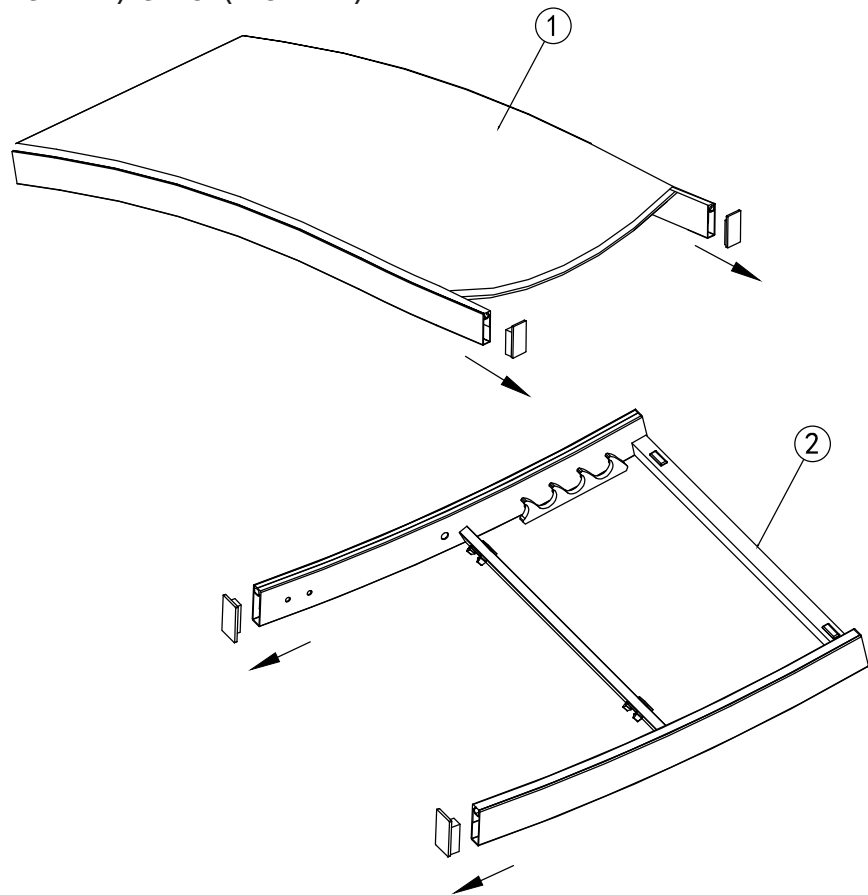
 <p>⑤ 1X</p>
 <p>⑧ 1X</p>
 <p>⑩ M6X16 4X</p>
 <p>⑭ D6 4X</p>

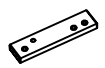





Connecting the Back and Adjustment Rod.



 <p>① 1X</p>
 <p>② 1X</p>

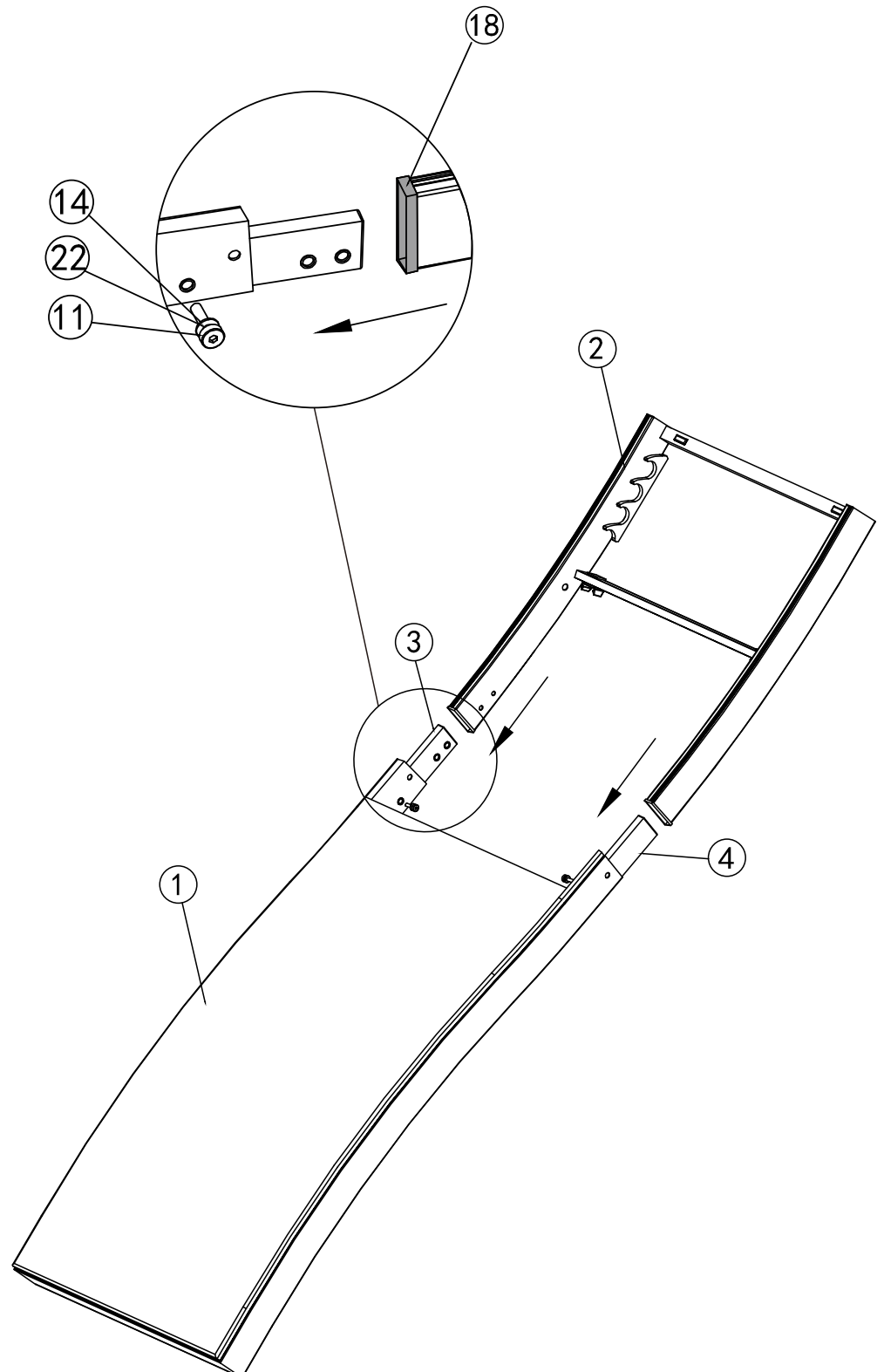
Unplug the plastic plug from the Bed frame (Part 1) and (Part 2).



③	 1X
④	 1X
⑪	 M6X18 2X
⑭	 D6 2X
⑱	 2X
⑳	 2X

Insert Right Connector(Part 3) and Left Connector (Part 4) into Bed frame (Part 1);Align the holes and secure with Washer(14), Spring Lock Washer(22) and Bolt(11);Cover the Plastic Joint Washer (Part 18) on Bed frame (Part 2) ;Insert Bed frame (Part 1) to Bed frame (Part 2).

Remember to cover Part 18 on as shown.





M6X18

①①

4X



D6

①④

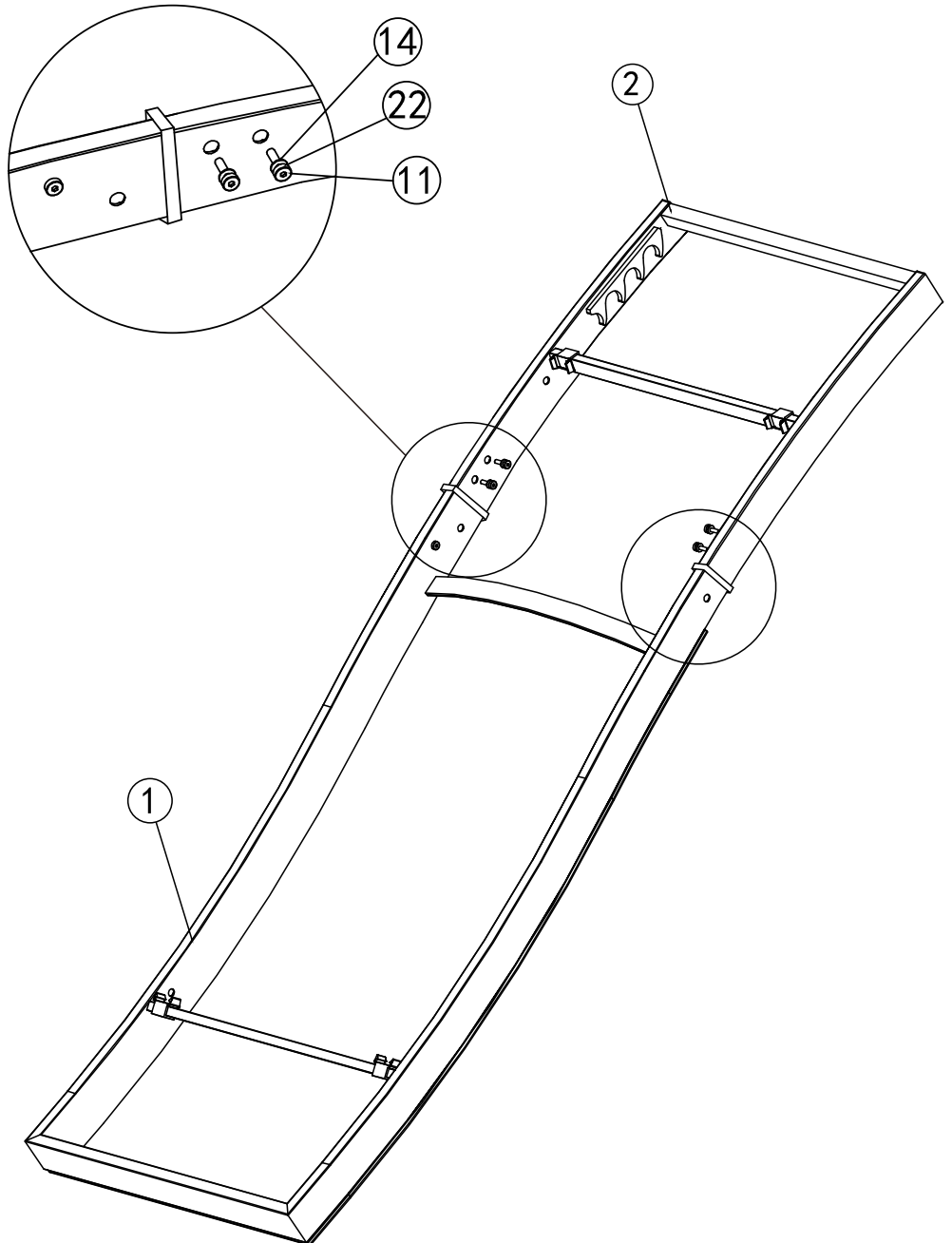
4X



②②

4X

Turn the entire Bed frame over and reinforce it with Washer(14), Spring Lock Washer(22) and Bolt(11).





⑫ 2X



⑭ 4X



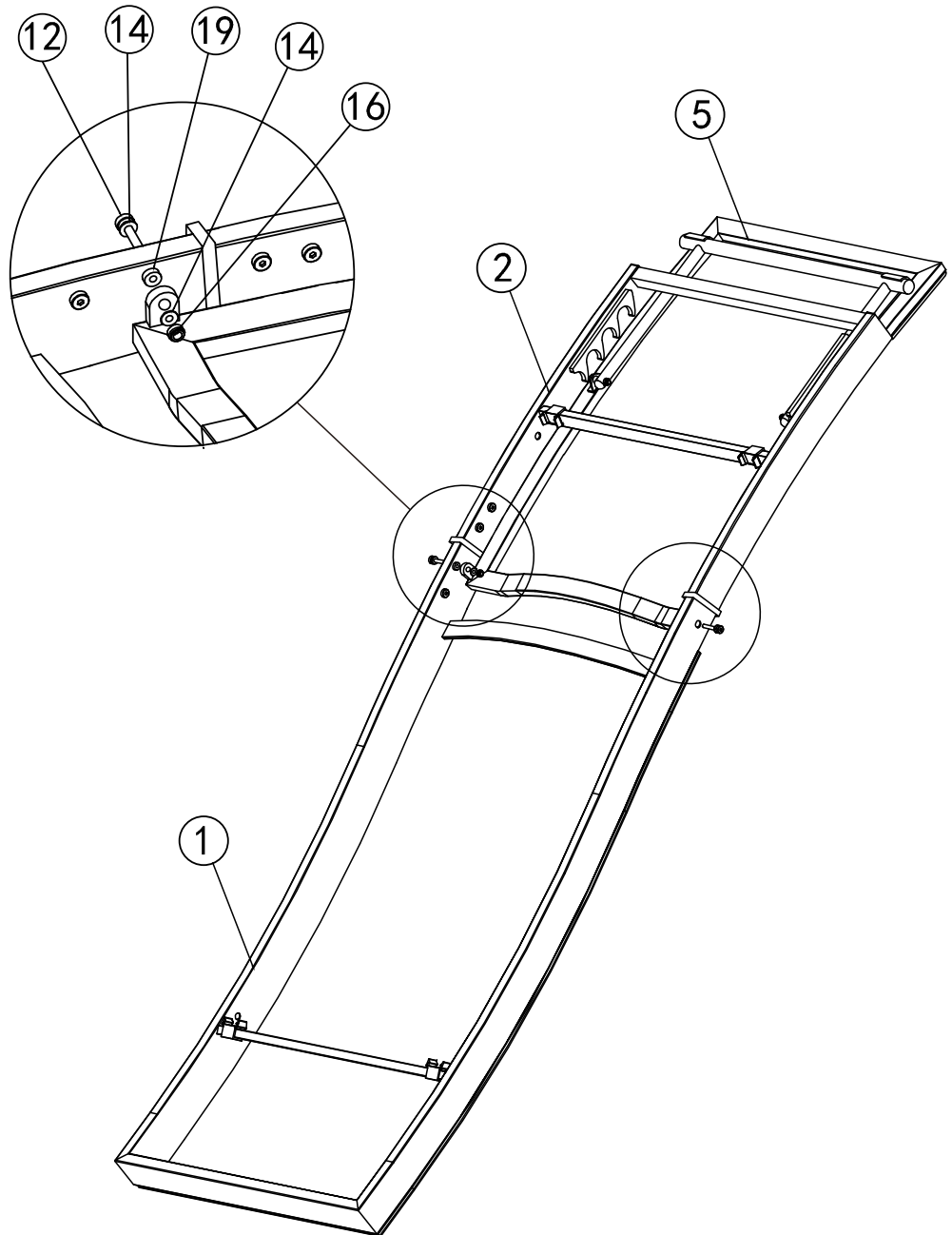
⑯ 2X

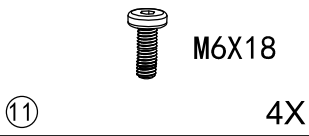
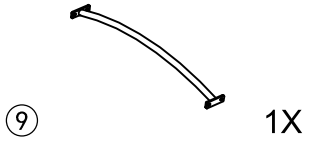


⑰ 2X

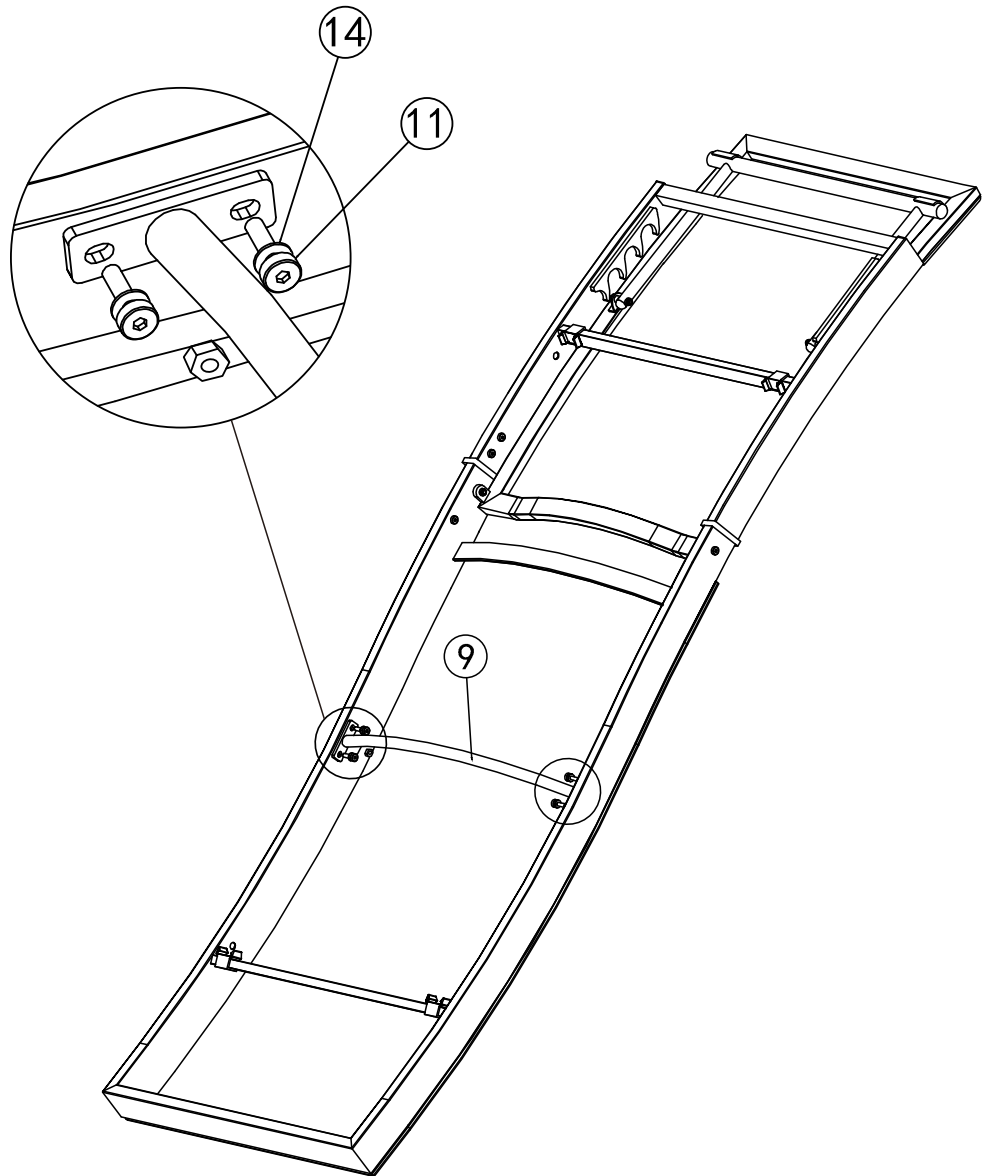
Assemble the Back.

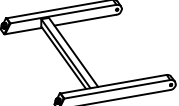
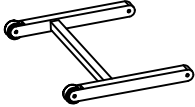
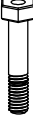


Plastic Gaskets(19) must be installed between the Bed Frame(Part 1) and Back(Part 5) as shown.



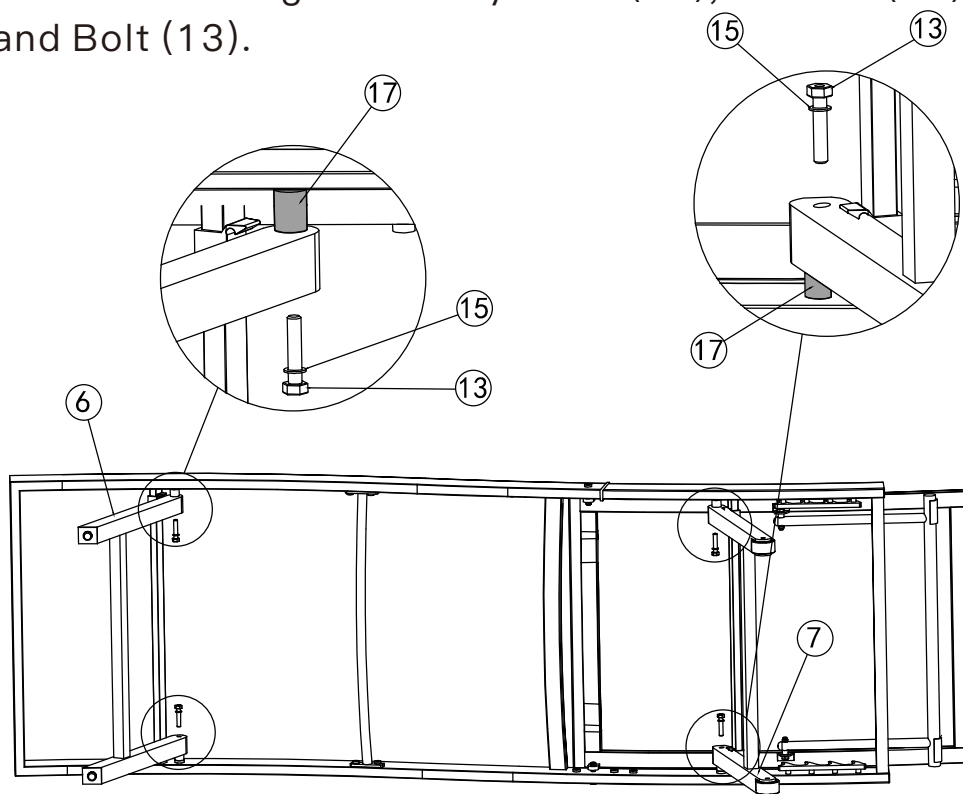


Use Bolt (11) and Washer (14) to connect the Support rod (Part 9) to the entire Bed frame.



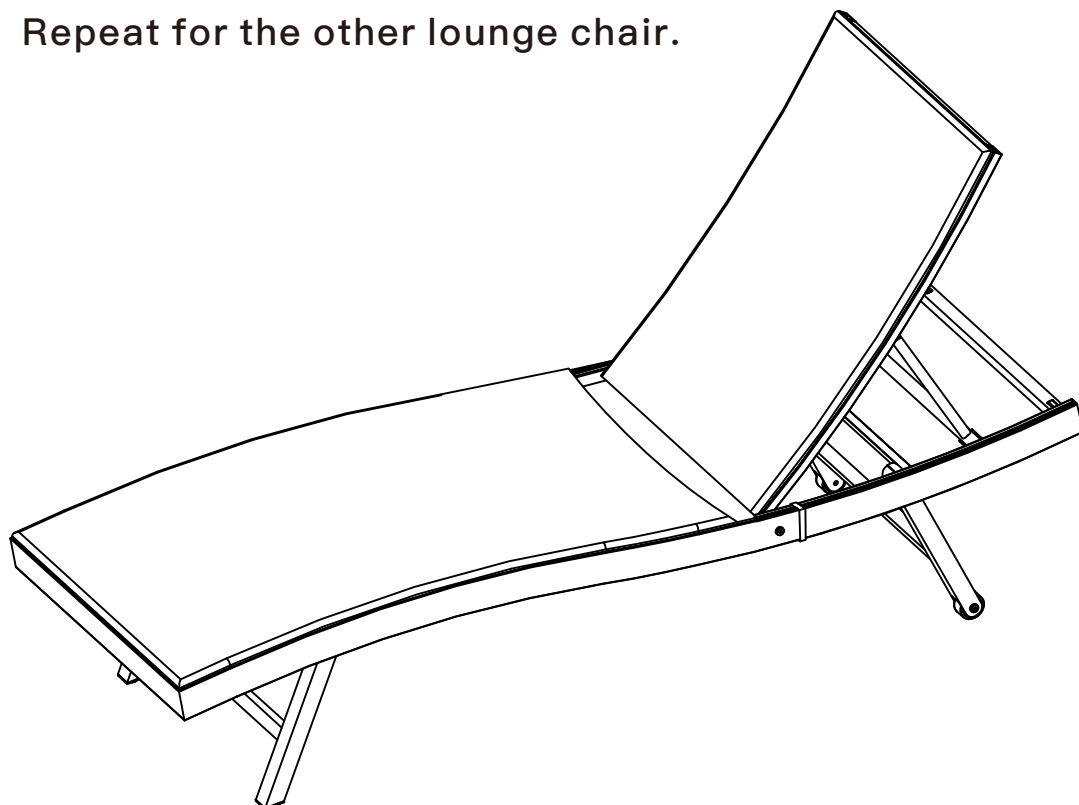
 <p>⑥ 1X</p>
 <p>⑦ 1X</p>
 <p>⑬ M8X68 4X</p>
 <p>⑮ D8 4X</p>
 <p>⑰ 4X</p>

Install Front Leg (Part 6) and Rear Leg (Part 7) to the Bed frame using Plastic Cylinder (17), Washer (15) and Bolt (13).



Check to make sure all screws are fixed tightly before use.

Repeat for the other lounge chair.





Thanks for your purchase.

At domi outdoor living, we believe in our products.

That's why we provide a 12-month warranty and friendly, easy-to-reach after-sales service. So, if you have any questions about our product or assembly, please feel free to contact us. We are here for you.

Support:  

After-sales contact email:

service@domioutdoorliving.com

Business cooperation contact email:

marketing@domioutdoorliving.com

Please have your order ID available if you reach out for support.

If you have damaged parts or product, please send us photos for an immediate response.