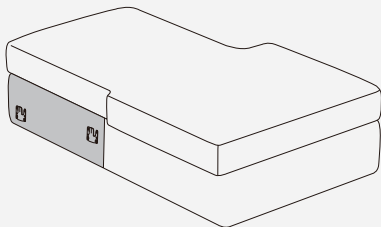


INSTRUCTIONS

Right Storage Modular

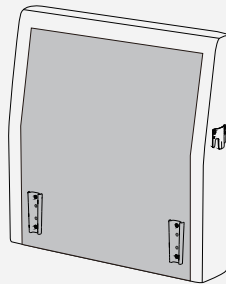
CARTON I PART LIST

R Right large storage Seat Frame



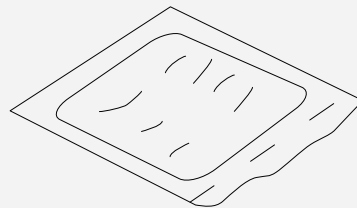
x1

H Single Back Frame



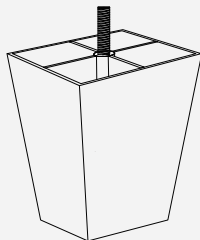
x1

F Back Pillow



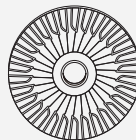
x1

1 Plastic Leg



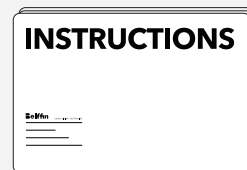
x5

2 Plastic Washer

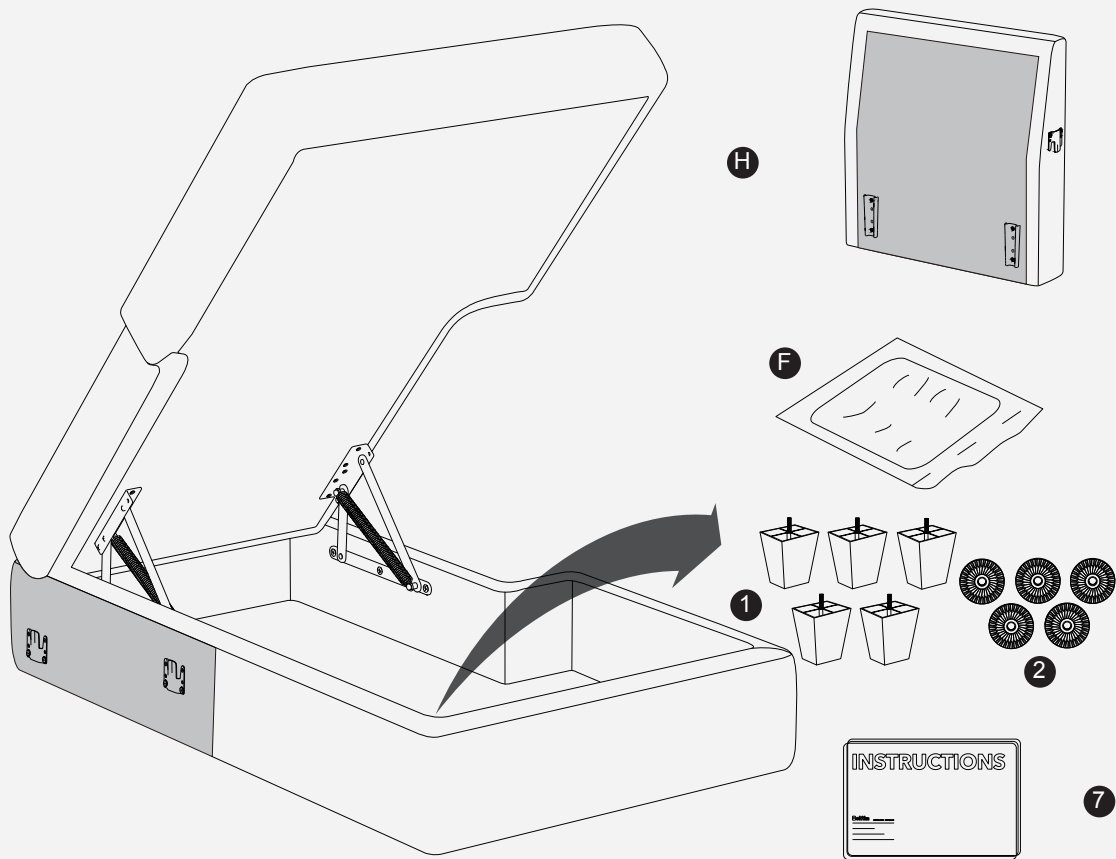


x5

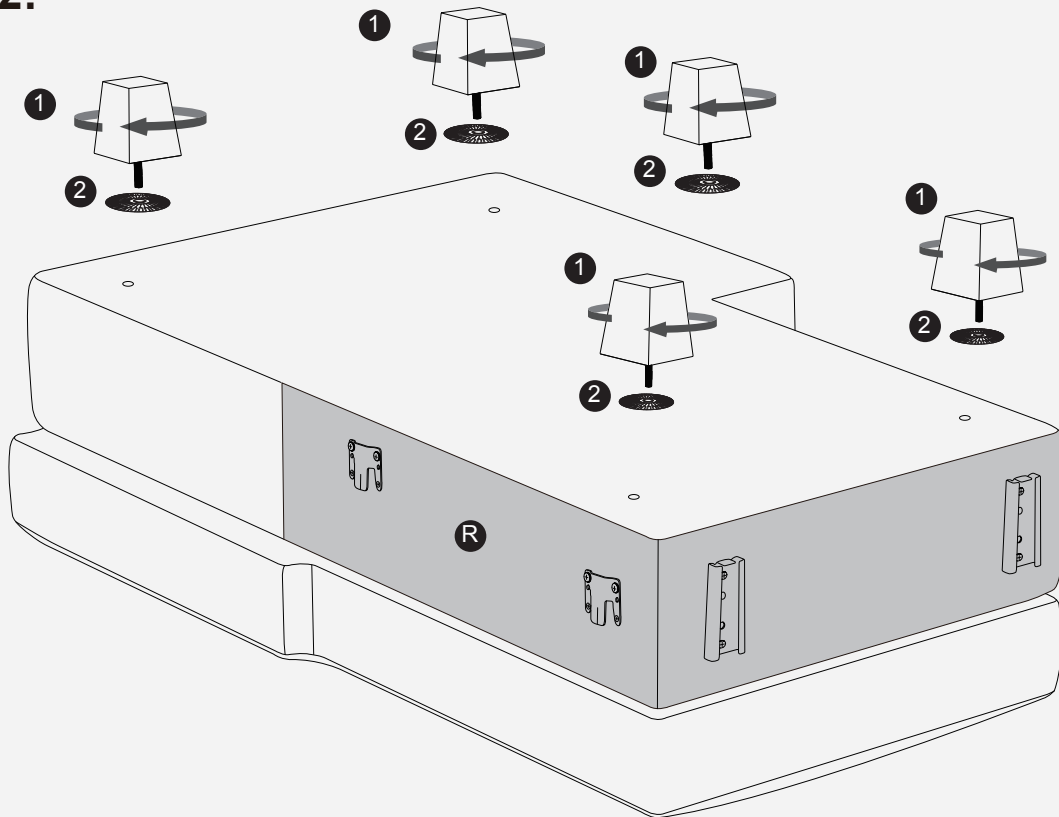
7 Assembly Instructions



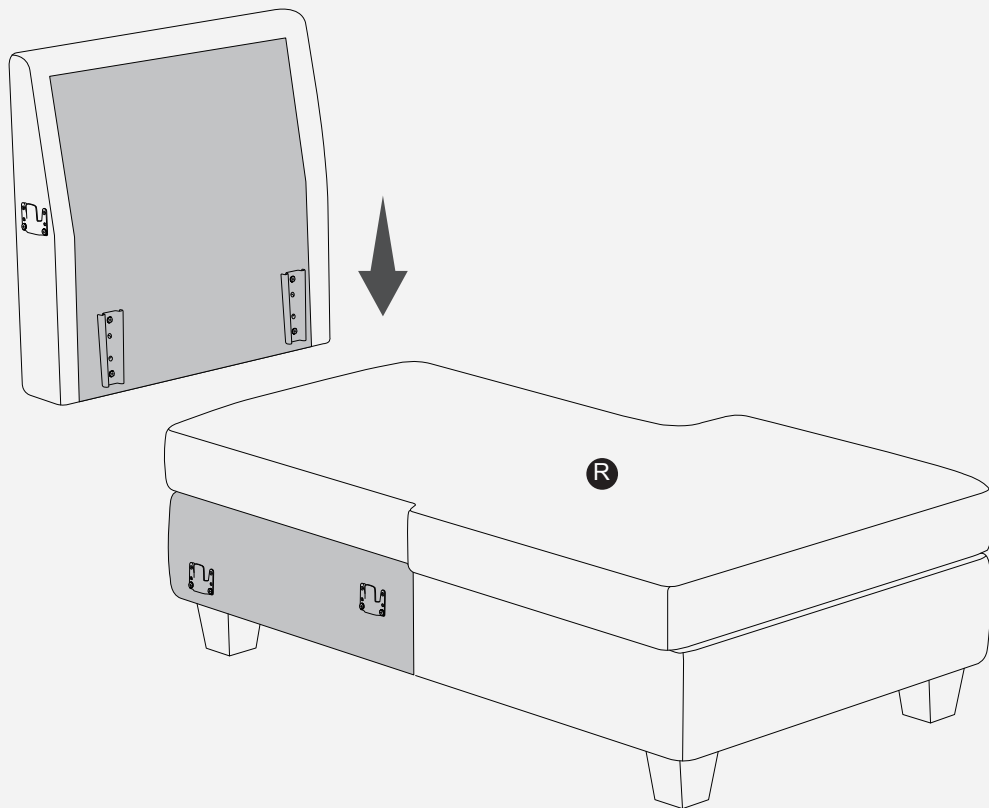
x1



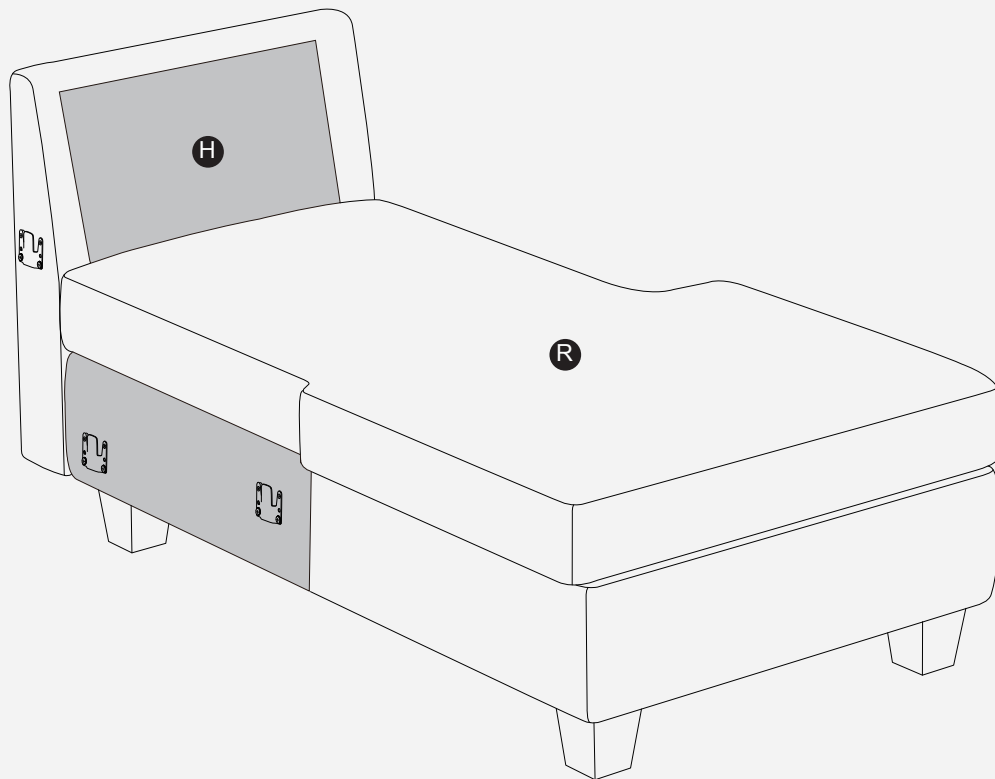
Step2:



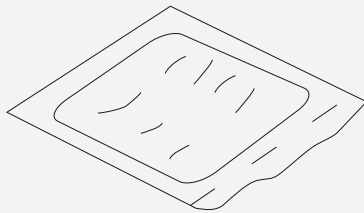
Step3:



Step4:



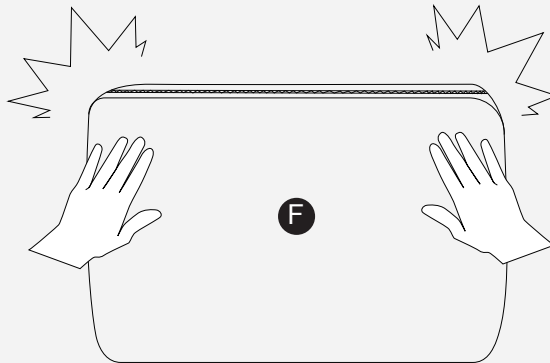
Step5:



F

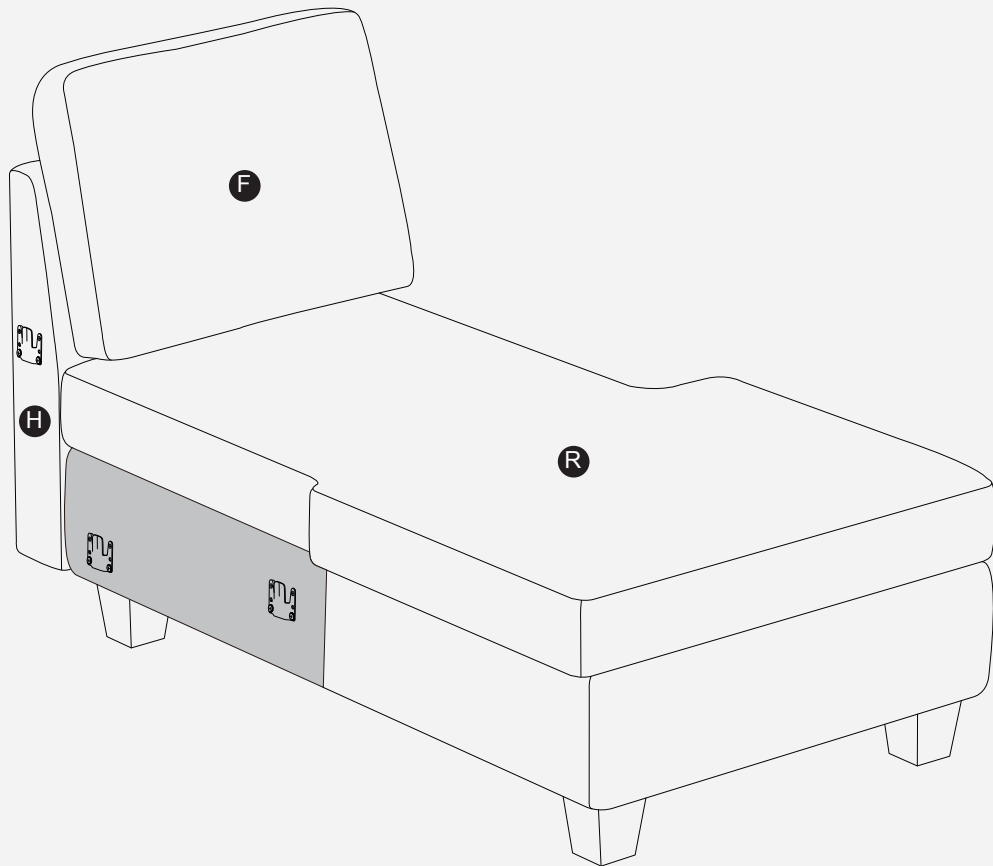


F



F

Step6:



Step7:

