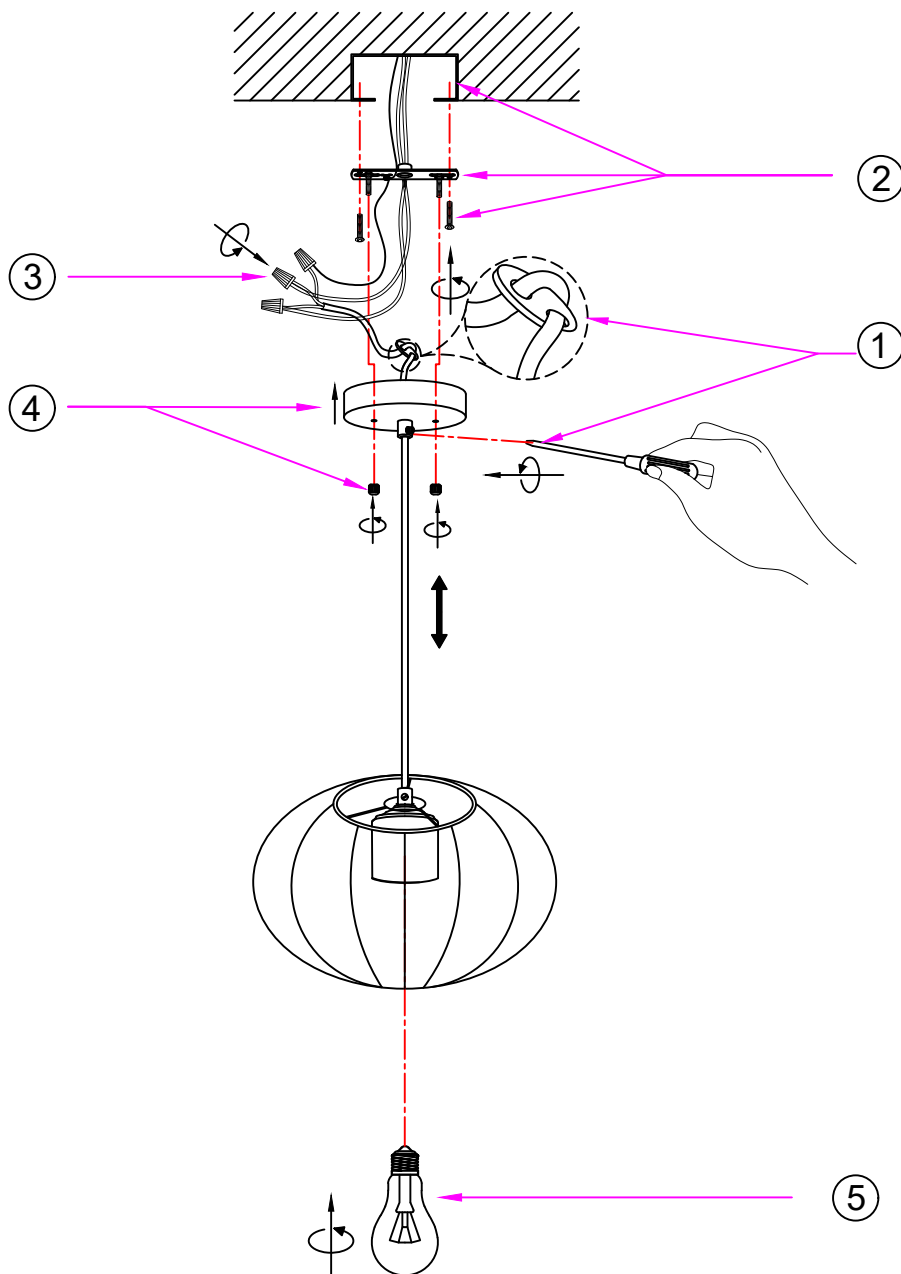


# Assembly & Installation Instructions



## PREPARATION before INSTALLATION:

1. If an existing fixture is being replaced, remove it and note to which wire in the outlet box the original fixture was attached.
2. Before discarding the carton, double-check the packaging to make sure all parts have been found.
3. This fixture was designed to be mounted on an octagon outlet box. The box must be securely mounted to the structure of the building.

## IMPORTANT:

1. **WARNING** - Disconnect power before relamping or wiring the fixture. Turn off the entire electrical circuit to which the lighting fixture is attached.
2. Installation and maintenance of this fixture should be completed by a licensed electrician.
3. Failure to install the fixture correctly could result in serious injury or death.
4. Read all instructions before starting installation.

## INSTALLATION STEPS:

1. Loosen the screws on the ceiling plate to adjust the cord height, slide the figure 8 fastener to the bottom position, then tighten the power cord with the machine meter screw.
2. Secure the mounting bracket to the junction box with the mounting screws.
3. Use the wire cap to tightly connect the wire from the light fixture to the wire in the ceiling.  
Connect the black wire to the black wire (live).  
Connect the white wire to the white wire (neutral).  
Wrap the ground wire around green ground screw.  
Note: Be sure that no wire strands are exposed.
4. Attach ceiling plate to mounting bracket with the knob caps.
5. Install the bulbs (not included).
6. Restore power and check if the bulb works properly.