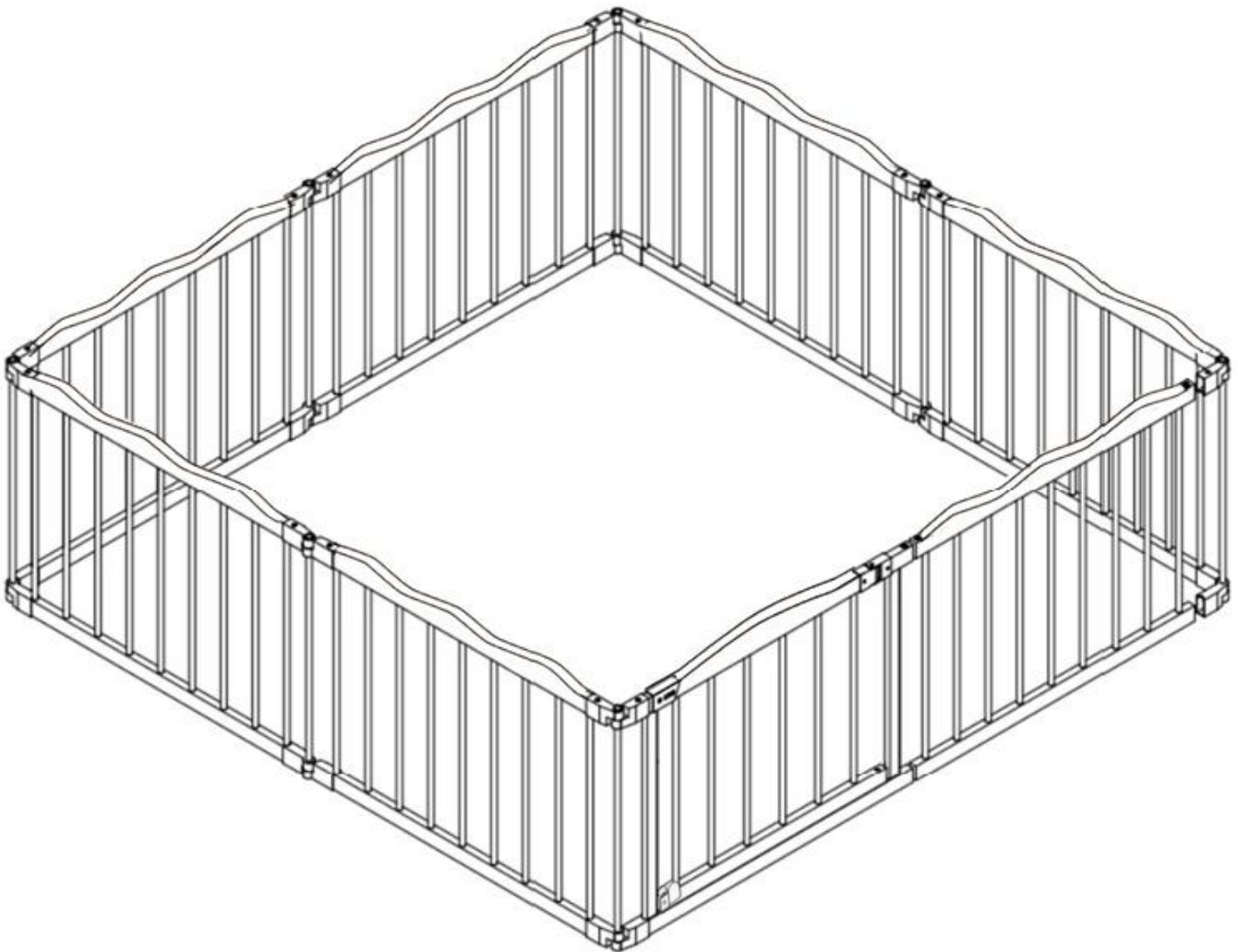


USER MANUAL

GGF Foldable Wooden Playpen

Give your baby a safe space to explore.



This instruction manual applies to the following models:
DK281-WHIE.

Thank you for choosing GGF Wooden playPen! Please read this manual carefully before use to ensure a safe and correct usage. Please feel free to contact us at info@ggfhome.com if anything is needed from GGF Team.



WARNING

Safety Precautions for Wooden Folding Fence

To maintain a safe environment for children and to prevent any accidents, it is crucial to follow these safety precautions when using a wooden fence.

- 1. Adult Supervision:** Always ensure that an adult is present and supervising children when the folding fence is in use. This supervision is necessary during the assembly, use, and disassembly of the fence.
- 2. Proper Assembly:** Carefully follow the provided assembly instructions to ensure the fence is assembled correctly and securely. Incorrect assembly can result in instability and potential collapse of the fence.
- 3. Inspect Before Use:** Conduct a thorough inspection of the fence before each use to check for any signs of damage, wear, or loose parts. If any issues are found, do not use the fence until it is repaired or replaced.
- 4. Avoid Rough Play:** Teach children not to engage in rough play such as climbing, jumping, or pushing against the fence. Such actions can cause the fencing to become unstable and potentially fall over.
- 5. Maintenance:** Regularly maintain the fence according to the care instructions provided. Proper maintenance helps to ensure the fence remains safe and functional.
- 6. Environmental Conditions:** Avoid using the fence in adverse weather conditions like high winds or heavy rain, as these conditions can affect the stability of the fence.
- 7. Keep Away from Edges:** Place the fence away from any edges such as stairs, ledges, or elevated surfaces to prevent children from falling from heights.

8 Panel wooden fence packing list

for 8-Panel wooden fence, compatible with models:
DK281-WHIE.

① Upper Connector * 8



② Lower Connector * 8



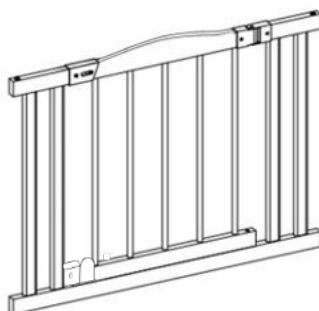
③ Conner Rod * 8



④ Panel * 7



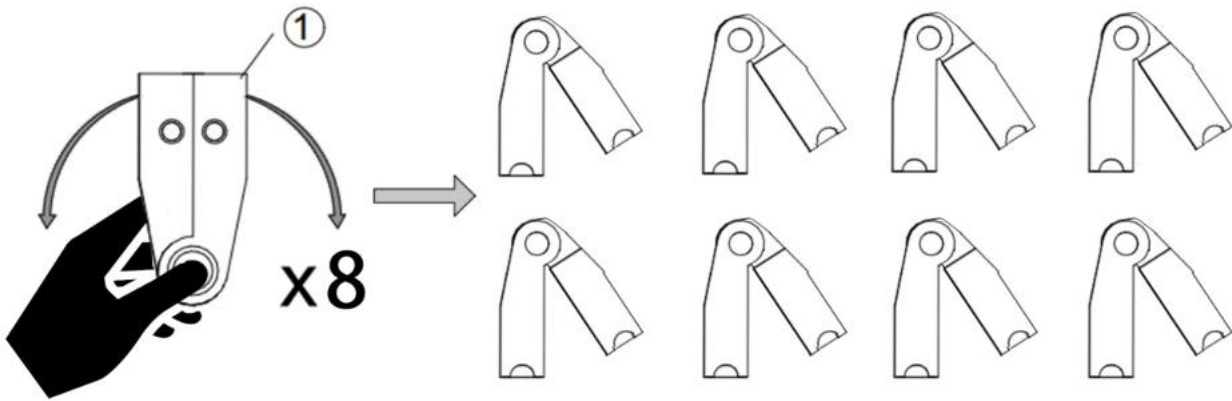
⑤ Door Panel * 1



The upper connectors can lock at specific angles, while the lower connectors cannot. Please pay attention to distinguish their top/bottom positions during assembly.

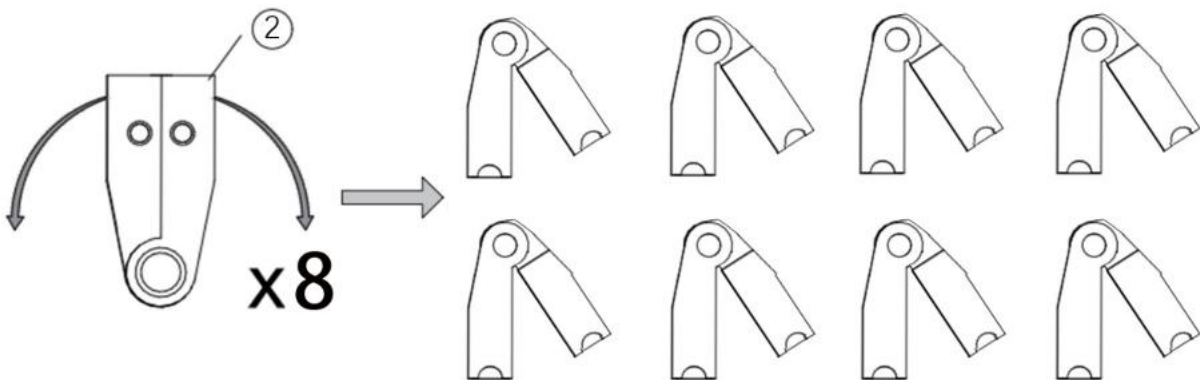
Assembly Steps

STEP 1 Adjust the angle of the upper connector.



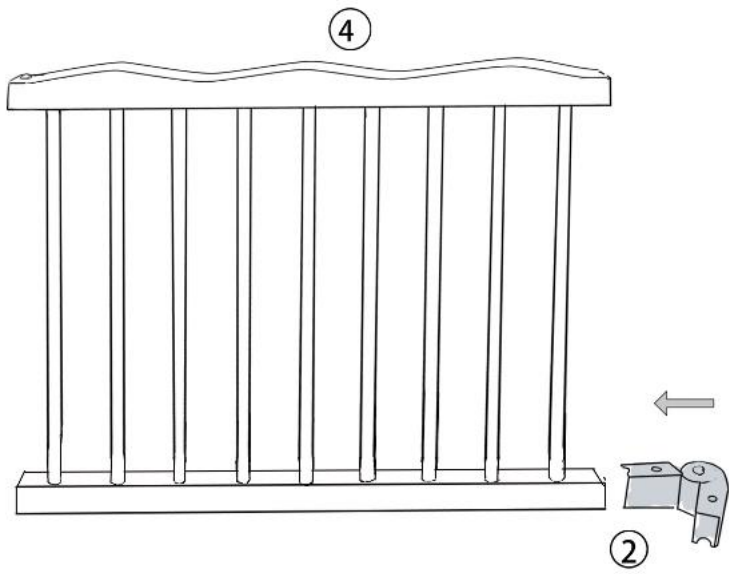
Press the button to adjust the upper connector to the angle shown above.
Set eight of the upper connectors to 30°

STEP 2 Adjust the angle of the Lower connector.

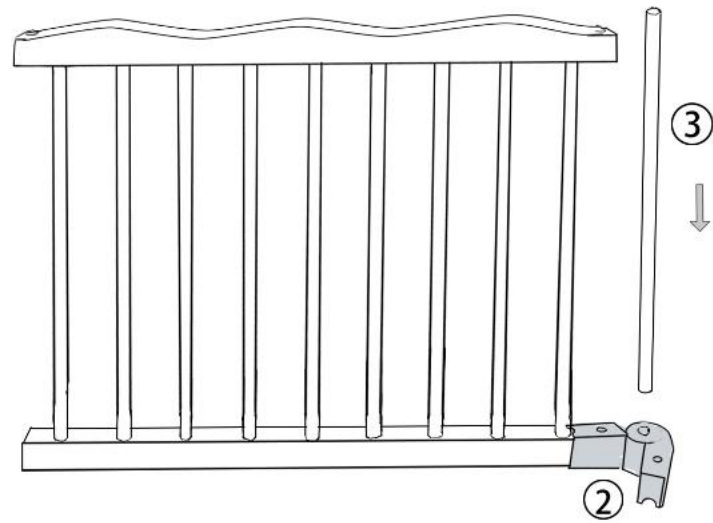


Set eight of the lower connectors to 30°

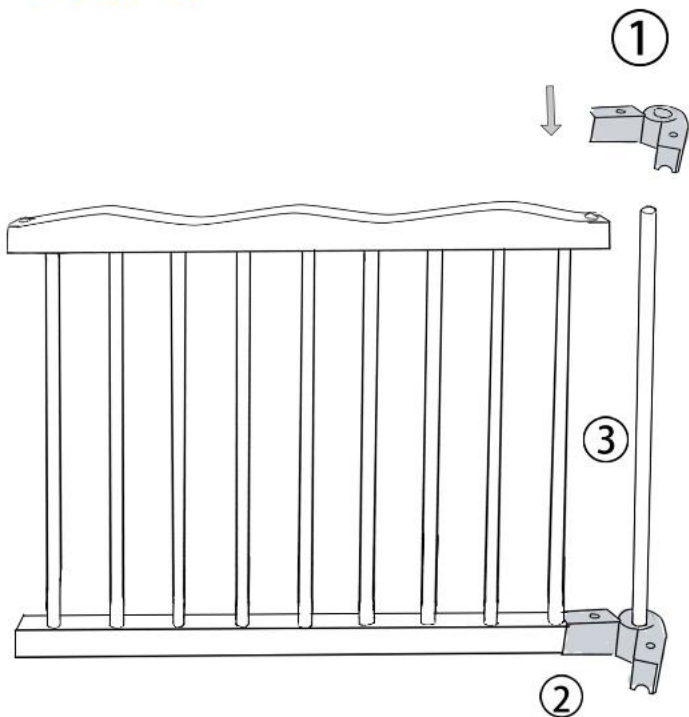
STEP 3



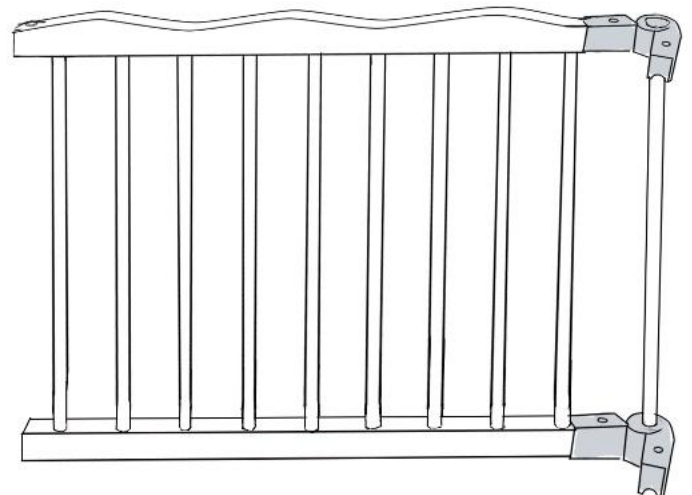
STEP 4



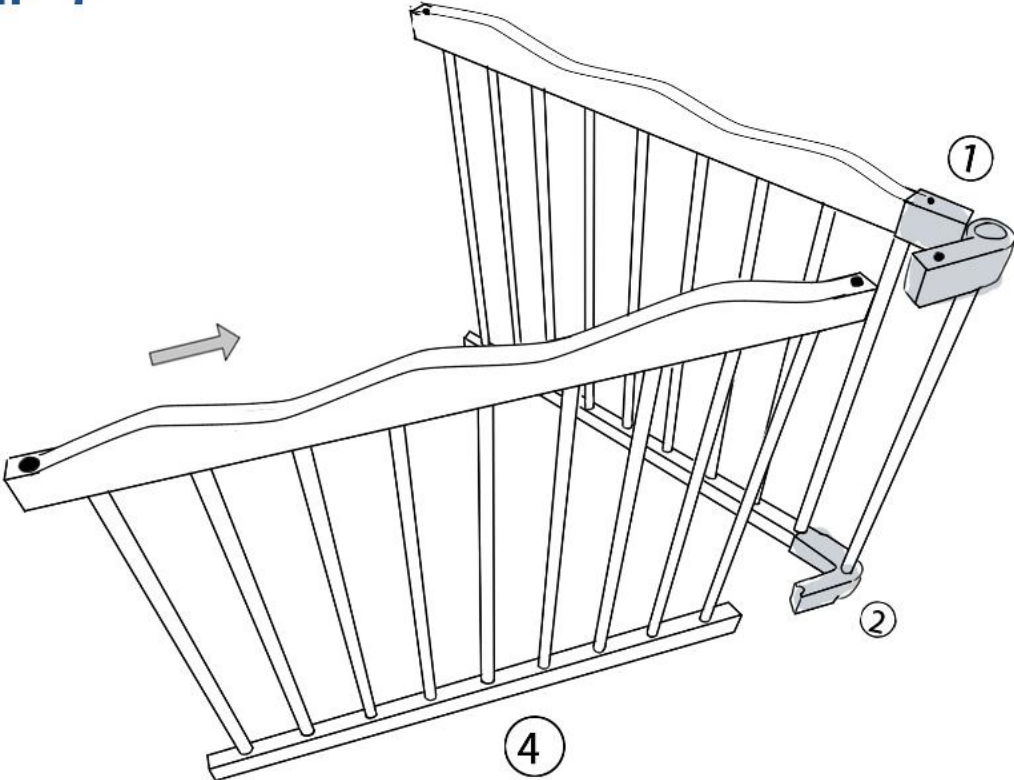
STEP 5



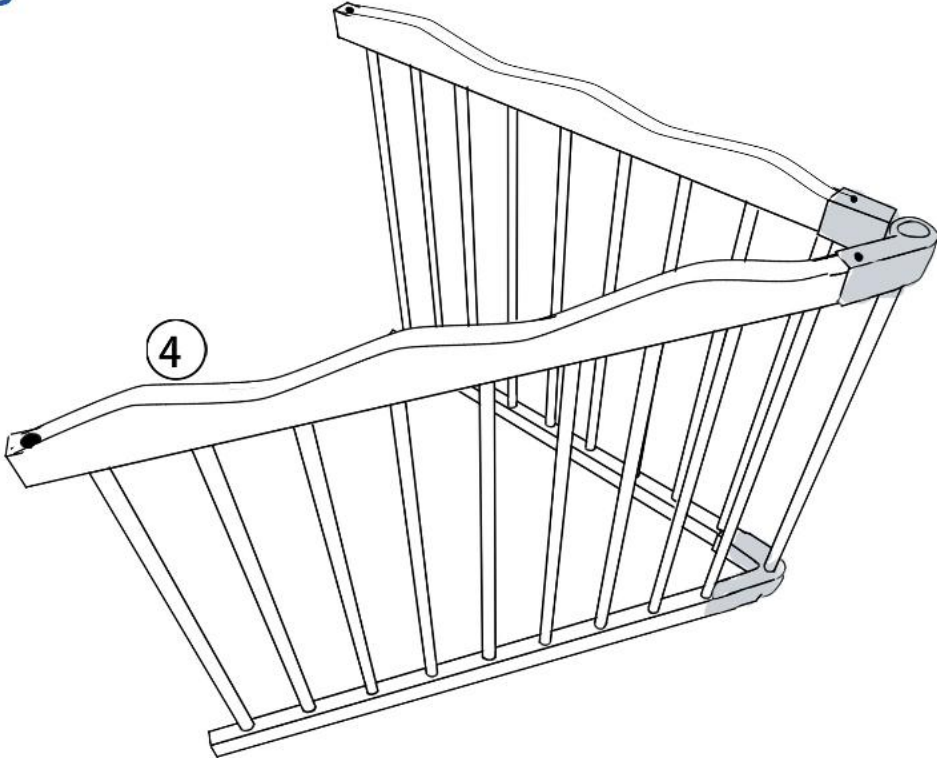
STEP 6



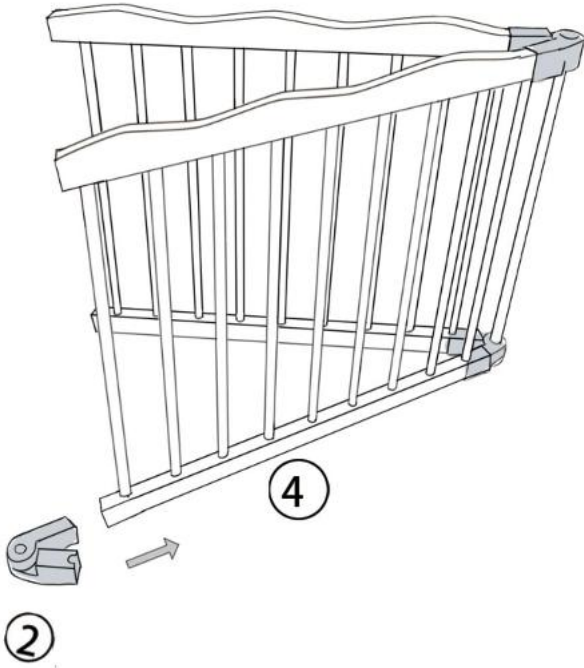
STEP 7



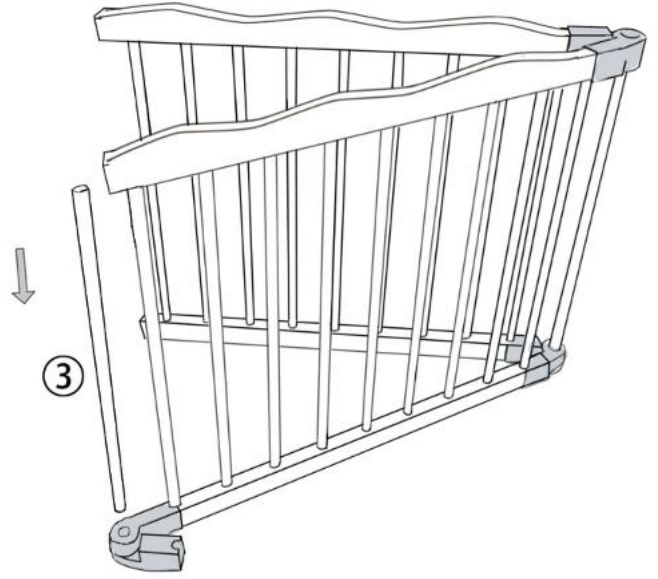
STEP 8



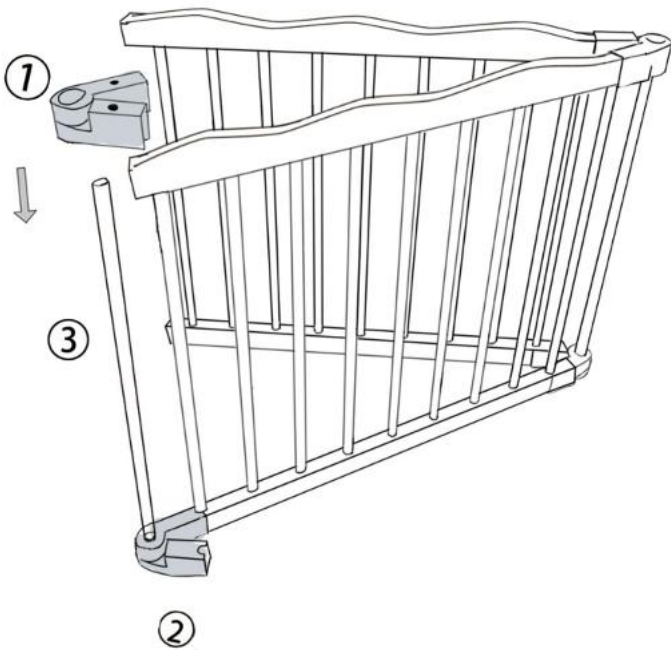
STEP 9



STEP 10



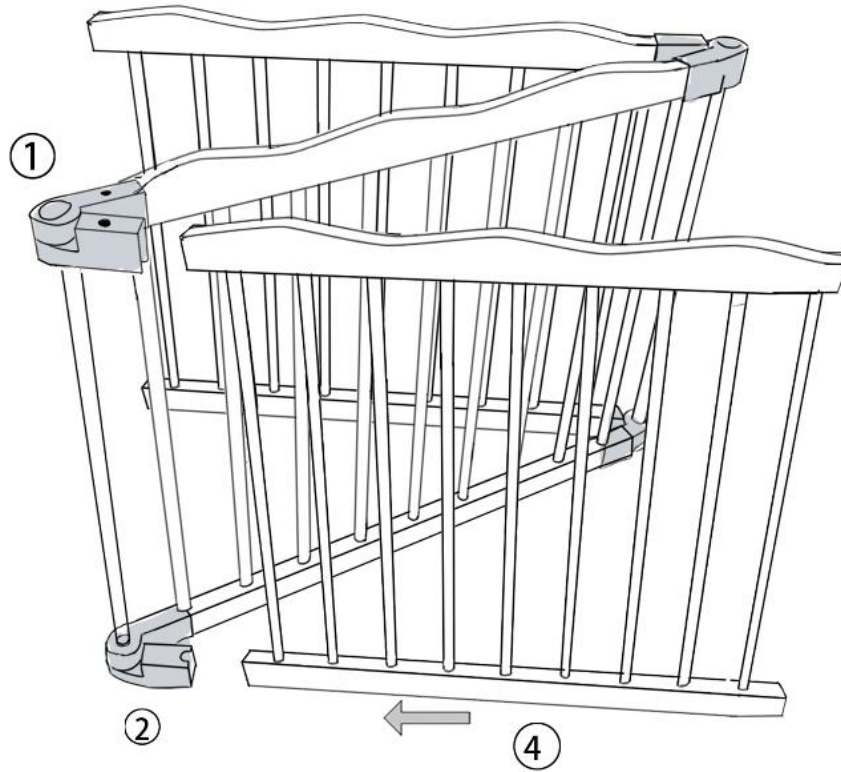
STEP 11



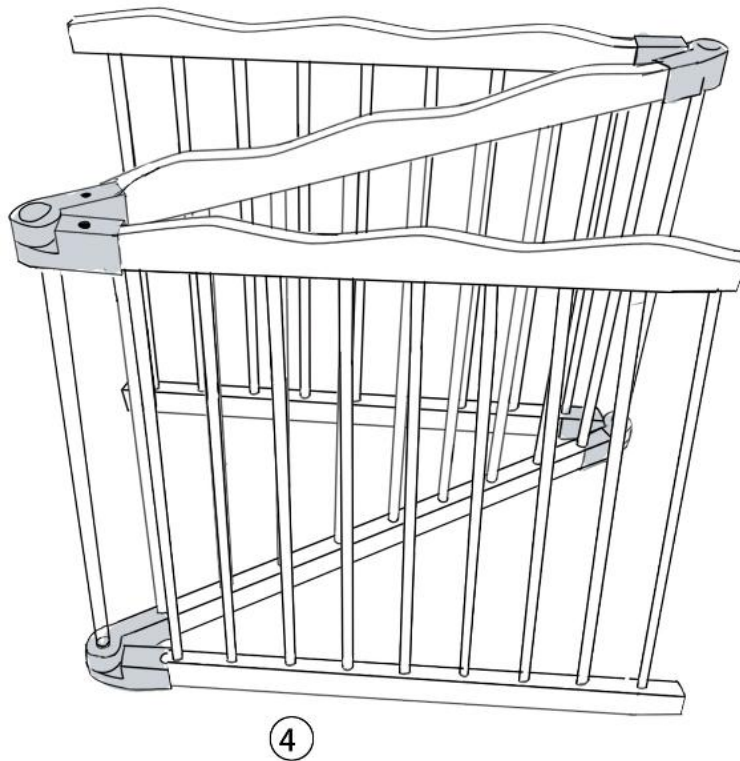
STEP 12



STEP 13

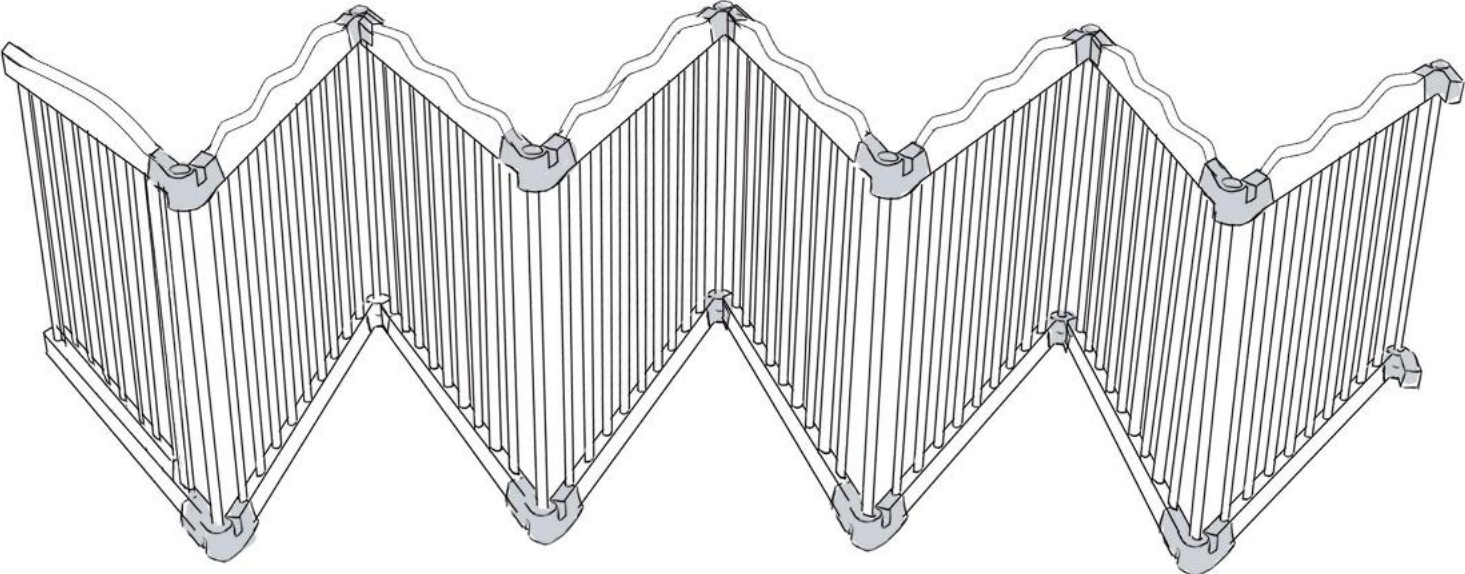


STEP 14



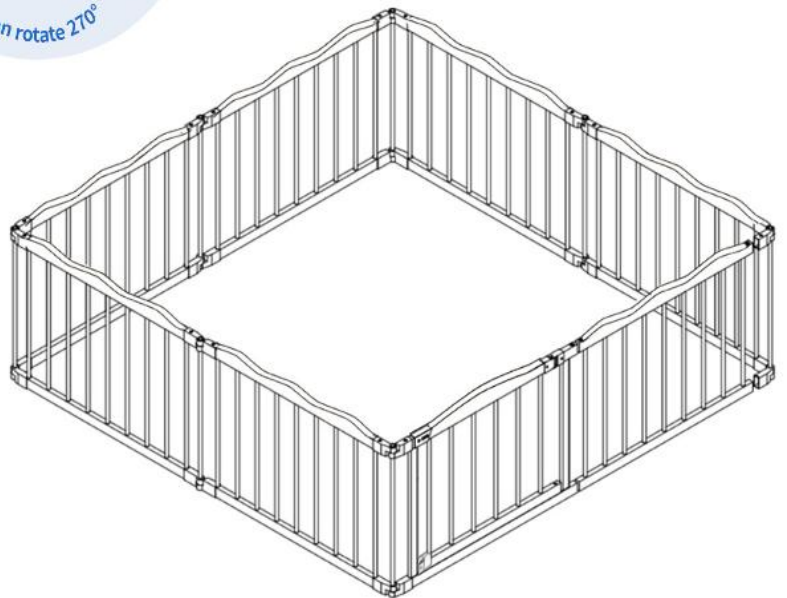
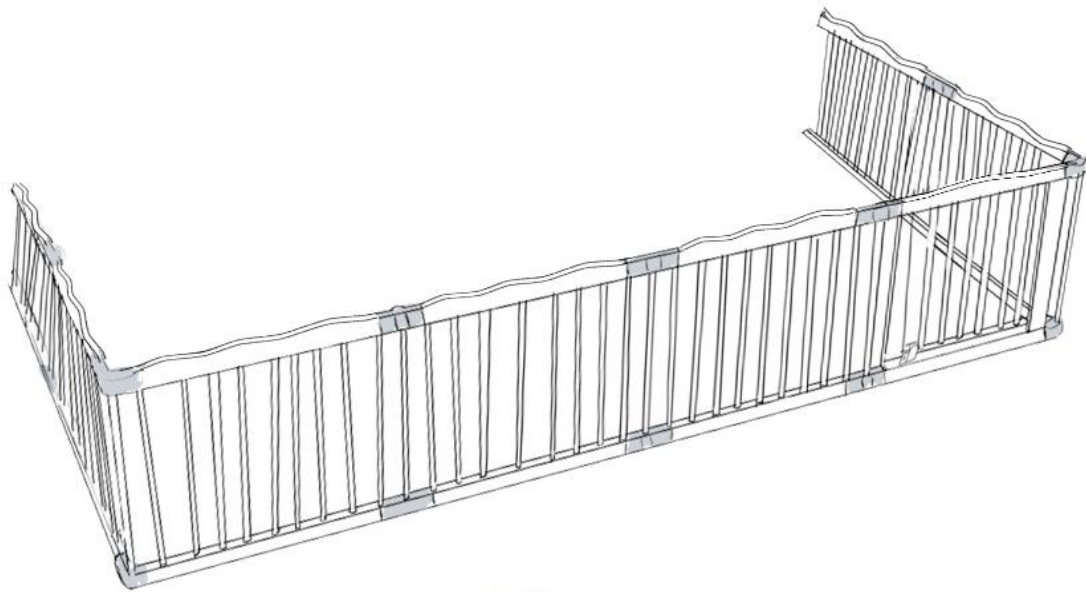
Repeat the above steps until all panels are installed.

STEP 15



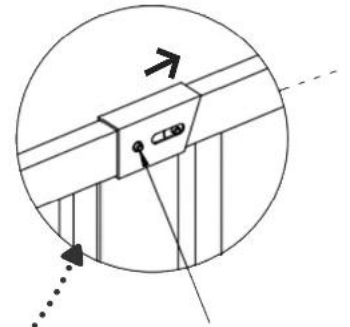
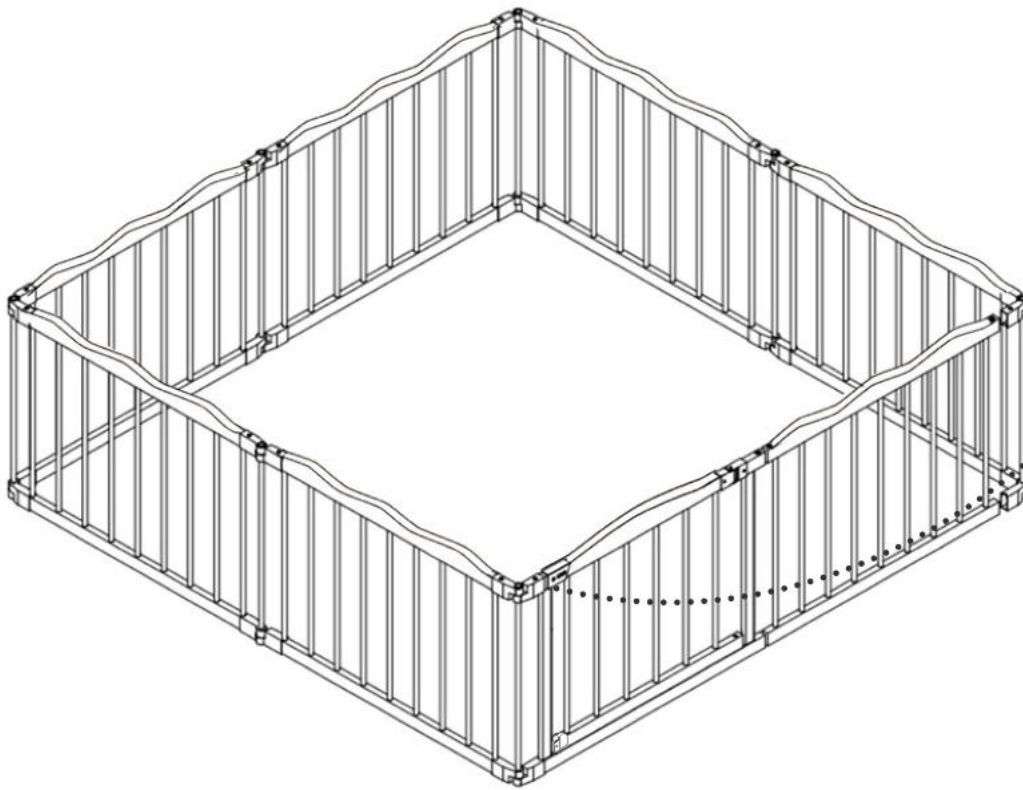
Congratulations! You have completed the entire installation process.

STEP 16

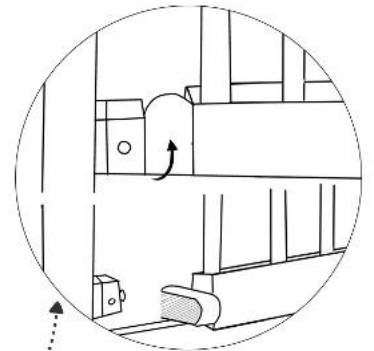
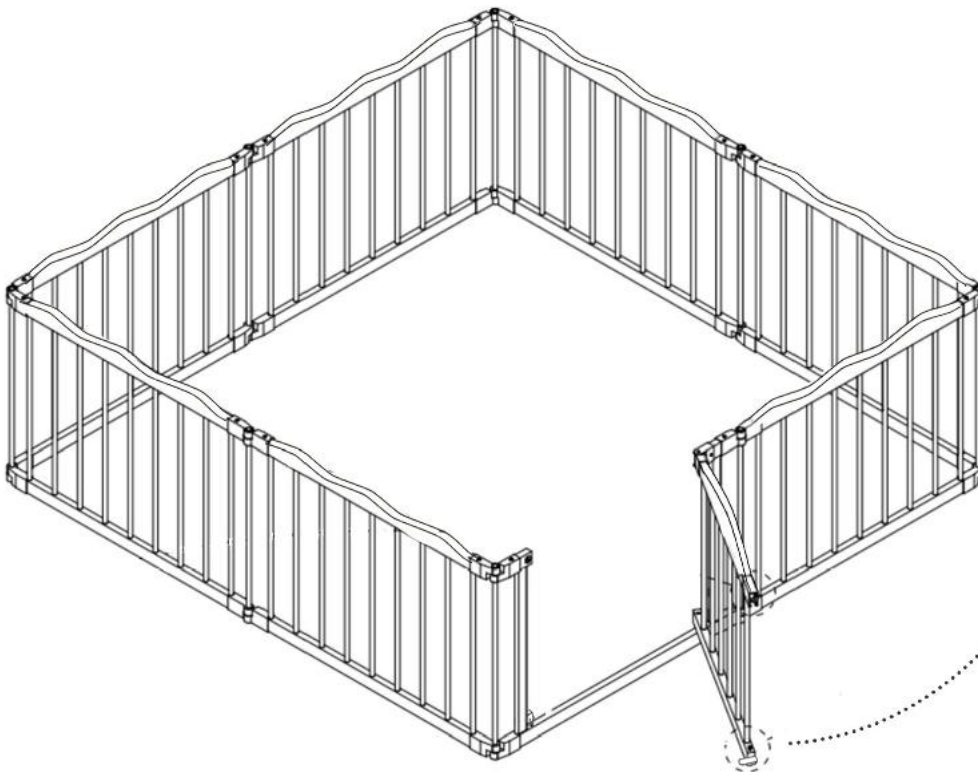


Press the button to adjust the angle and the shape of the fence to fit your room.

STEP 17 How to open the door



① Press the button and slide to the right.



**“ Do you have any problems or missing parts?
Please let us know.
We are here to help you solve problems 24/7. ”**



info@ggffhome.com

Let's keep in touch!

**Your support is a great
encouragement to us.**



GGF

Thanks for choosing us-we're here for you! Got questions or need help? Just reach out - your happiness matters to us!



Scan Here!