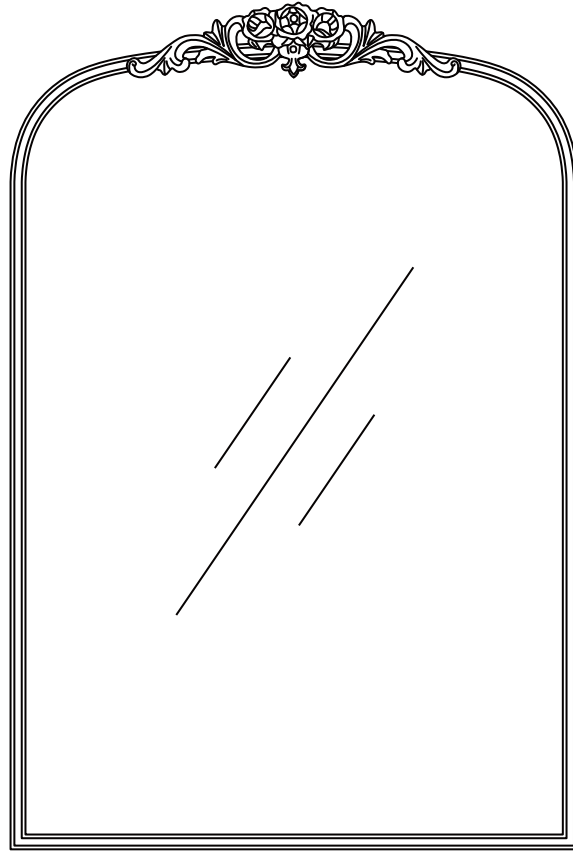


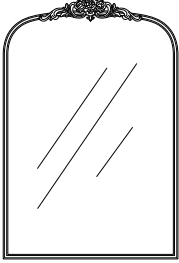


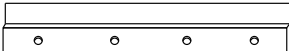
# ASSEMBLY INSTRUCTION



## ABOUT US

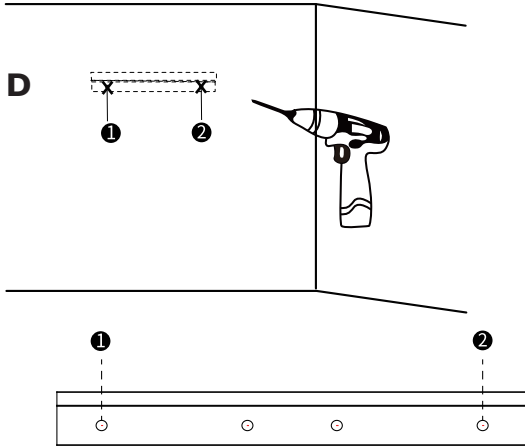
Thank you for shopping with us! We hope that our products have added a touch of brightness to your life. If you need any assistance, please don't hesitate to reach out. Our dedicated team is available 24/7 to ensure your satisfaction.

## ACCESSORIES LIST

Code	Diagram	QTY	Code	Diagram	QTY
A		1pc	B		2pcs
C		2pcs	D		1pc

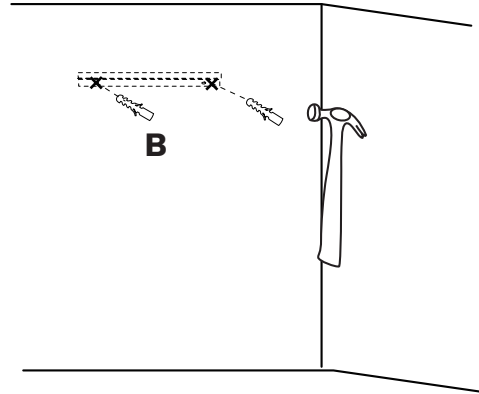
# ASSEMBLY STEPS

## Step 1



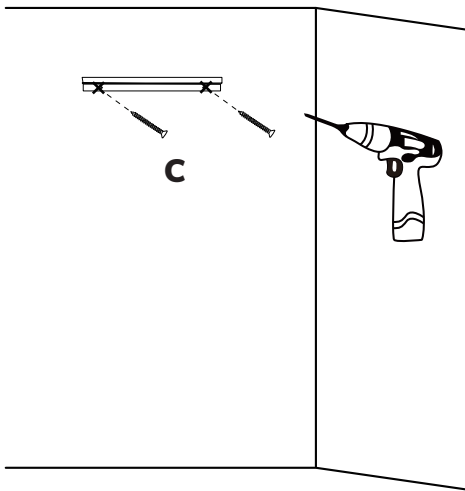
Punch 2 holes in the wall with an electric drill at the proper height.

## Step 2



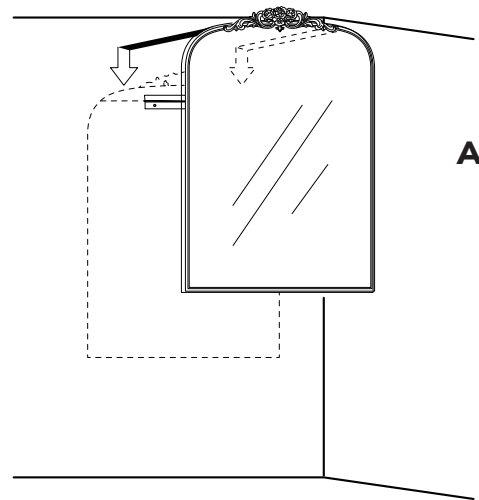
Insert the wall anchors.

## Step 3



Install the screws.

## Step 4



Place the hangers at the back of the mirror over the hanger.