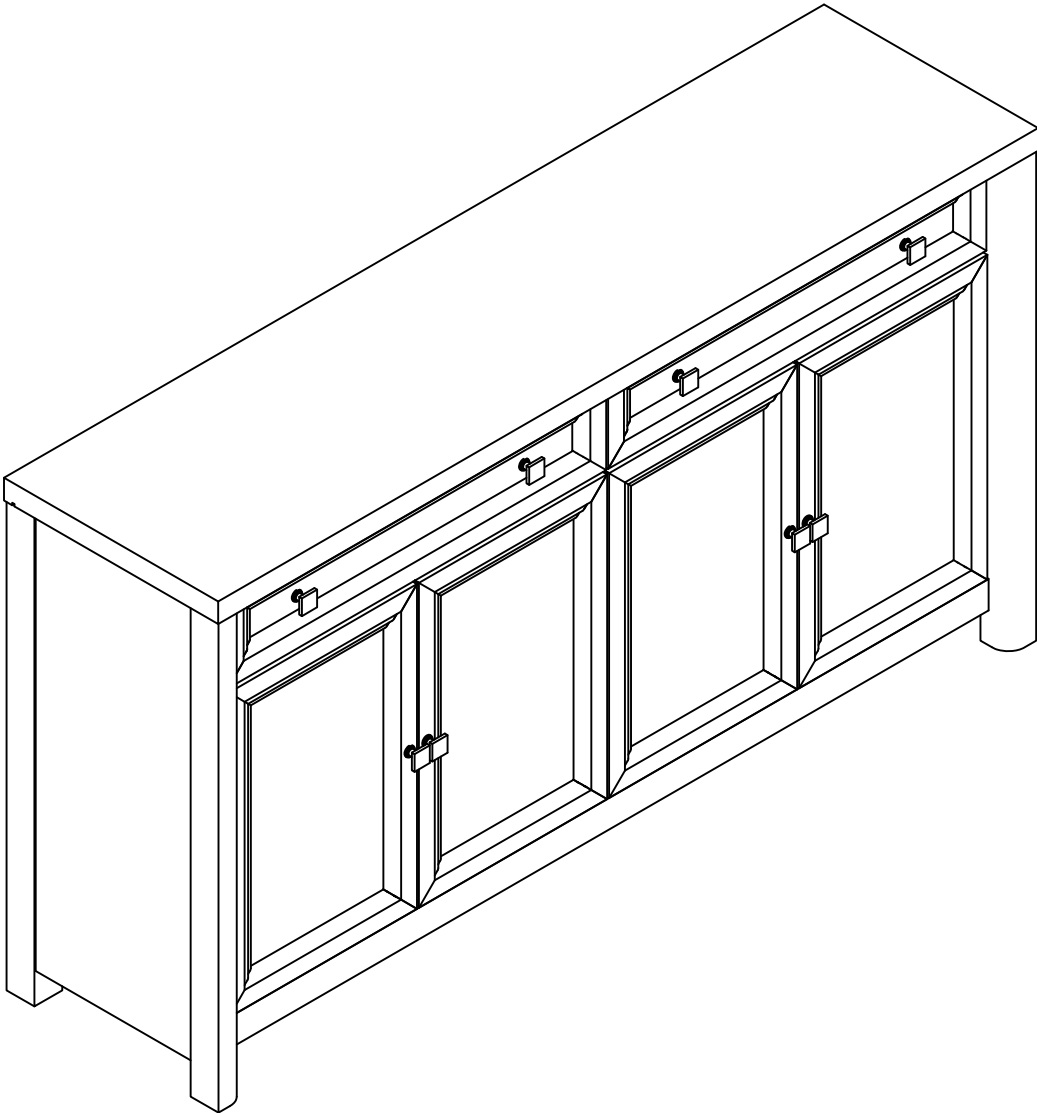


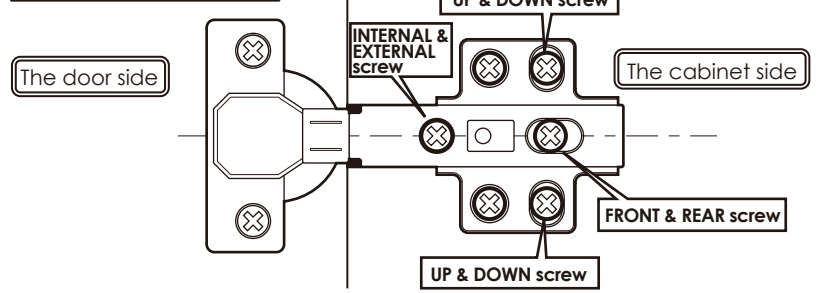
Product Installation Manual



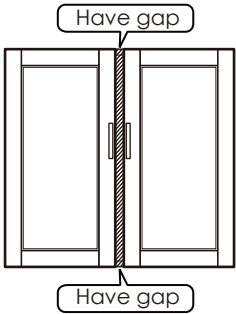
The ways to adjust the door

- Before adjusting the hinge, please check whether the cabinet is skewed.
- If the skew can not be repaired, please remove the anti-tipping device first, then adjust the cabinet to vertical position.
- Please adjust the hinge with the door open.
- Please operate it with more than 2 people, one person holds the door and the other one adjusts the screw.

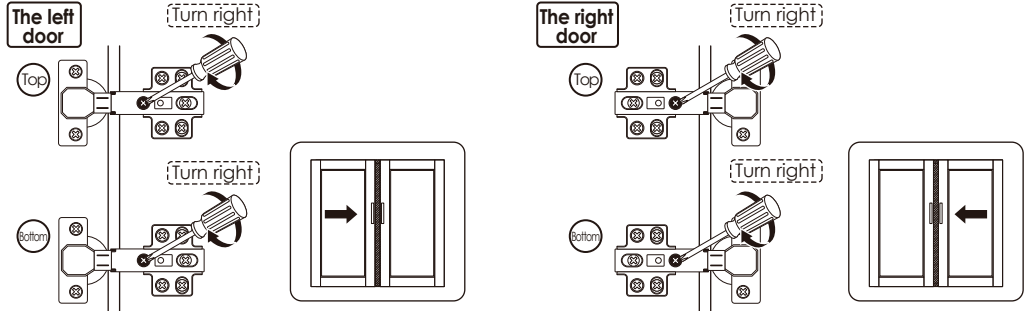
Components Name



Obvious gaps between doors or Doors don't look closed



- 1 Turn "internal & external screw" to the right can make the door approach inside. Please adjust the doors little by little.



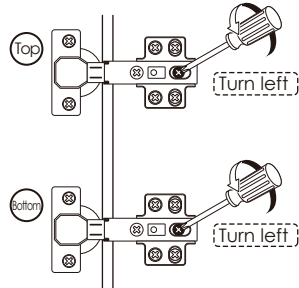
※ If the 2 doors are overlap, please turn the "internal & external screw" to the left.

When door is crooked



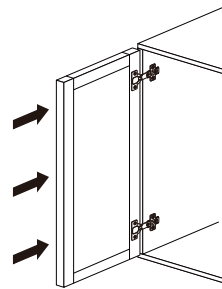
Please take the following steps to adjust first.

- 1 Rotate the "front and rear screws" to the left

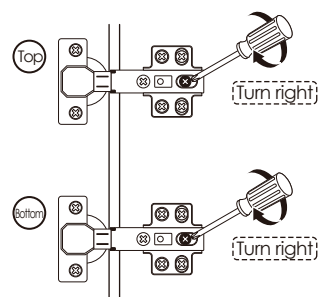


※ After adjusting the "front and rear screw", the door still does not change, please turn the "internal & external screw" to the right slightly.

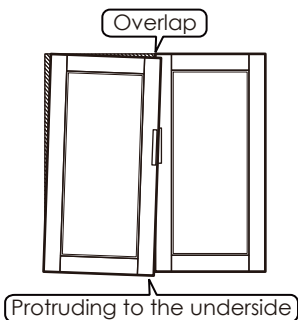
- 2 Push the door to the cabinet



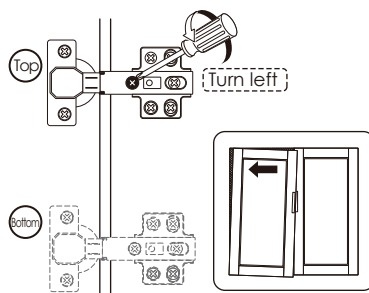
- 3 Rotate the "front and rear screws" to the right



When door is leaning



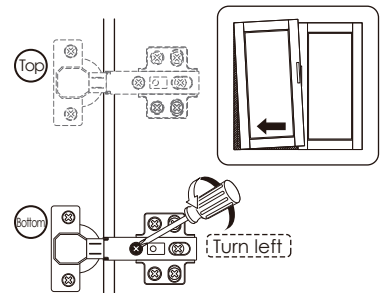
- 1 Turn "internal & external screw" to the left can make the top of the door tilted outward.



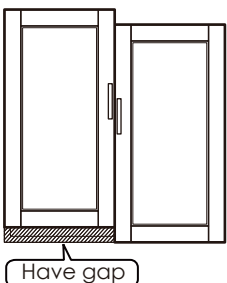
Protruding to the upside



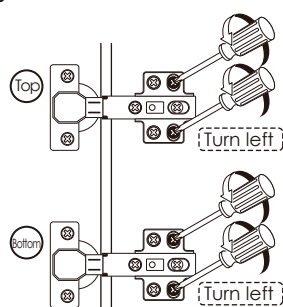
- 1 Turn "internal & external screw" to the left can make the bottom of the door tilted outward.



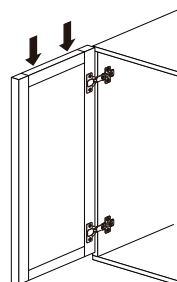
When the door is higher on top



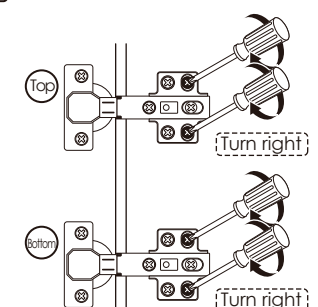
- 1 Turn "up & down screw" to the left



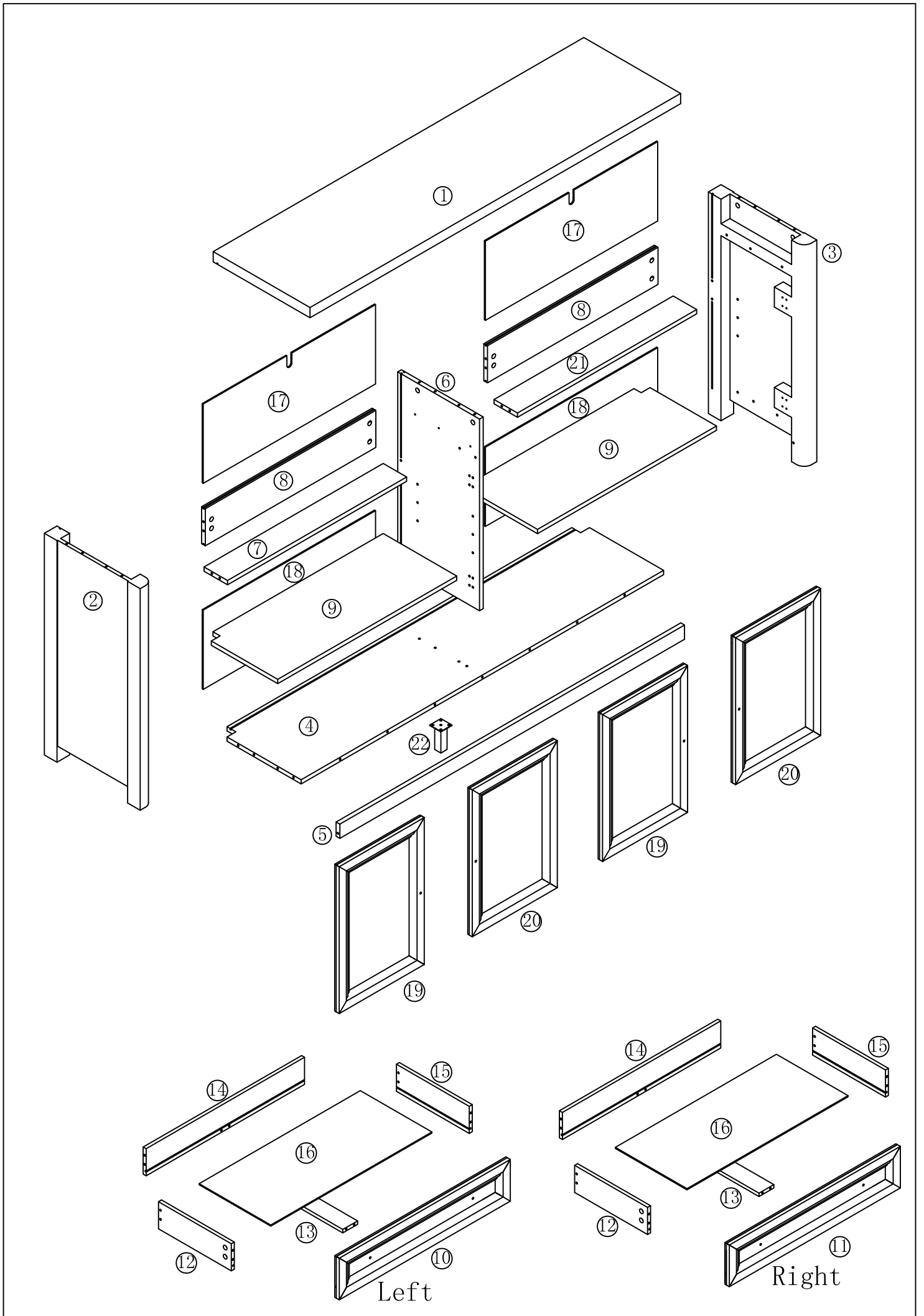
- 2 Lower the door's height so that 2 doors are of the same height.




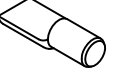
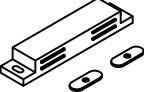

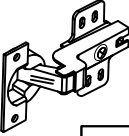
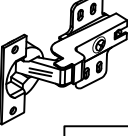

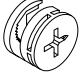

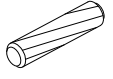
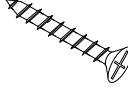

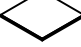
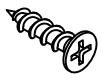
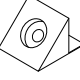


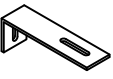

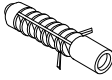


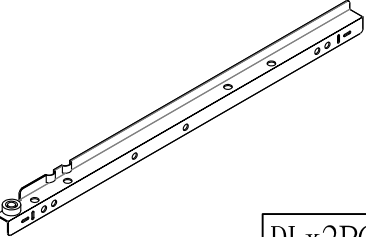
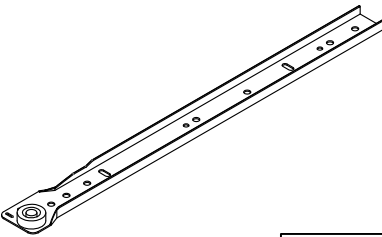
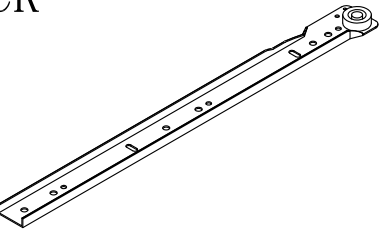
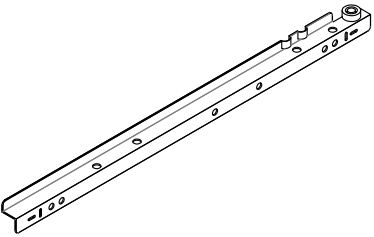


- 3 Turn "up & down screw" to the right

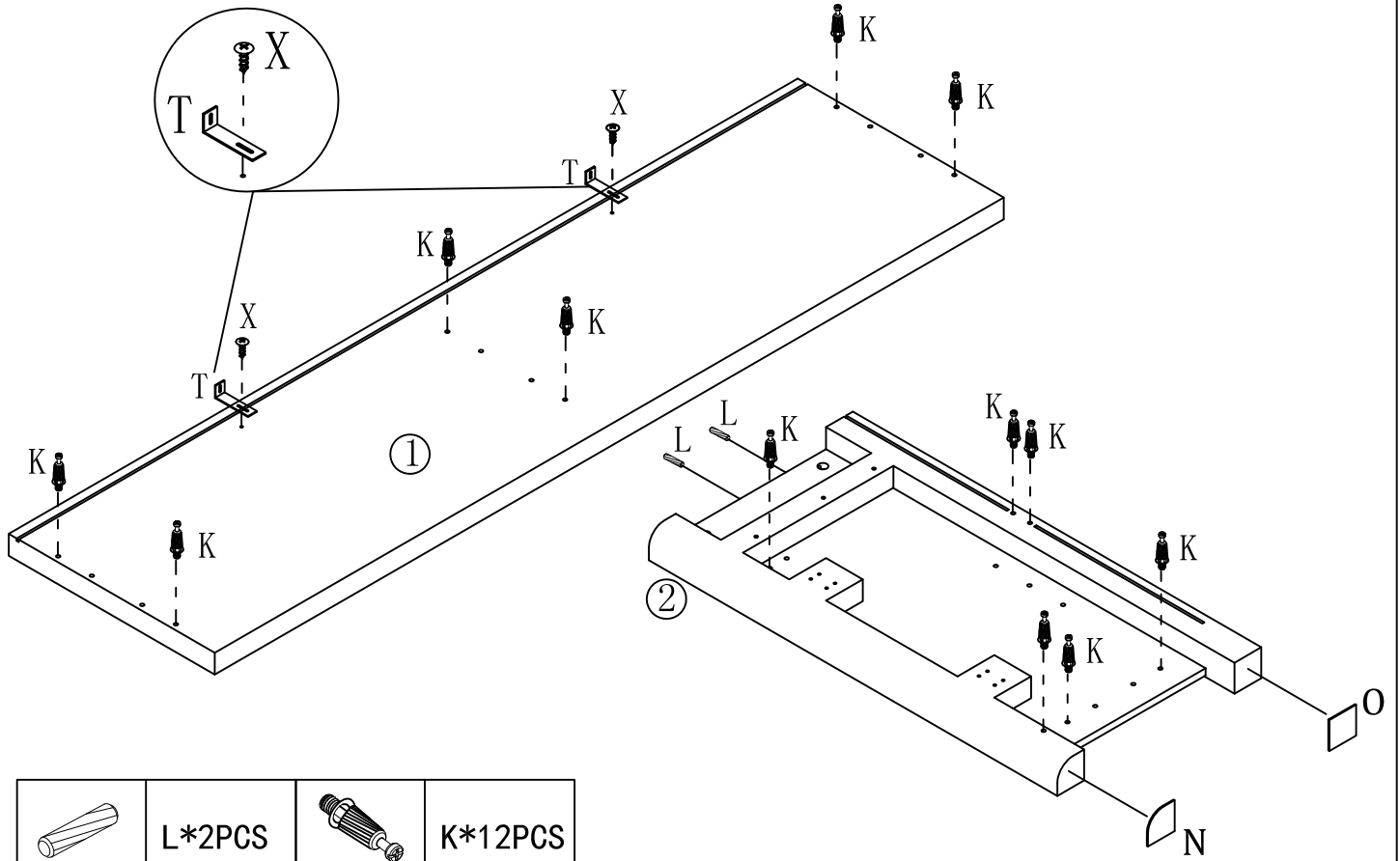


※ If the door is lower on bottom, please lift up the left door slightly on step 2



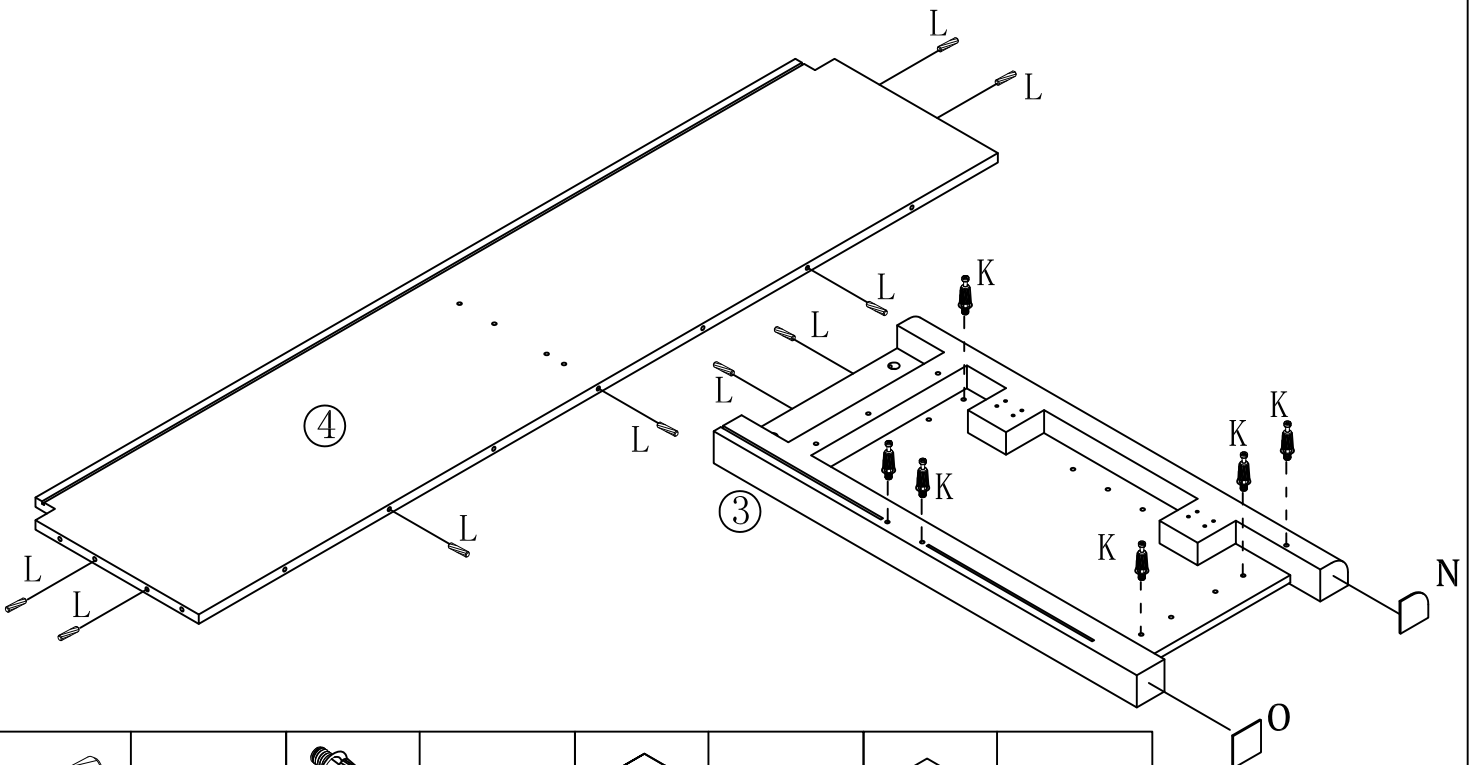
<p>A</p>  <p>8PCS</p>	<p>B</p>  <p>$\phi 4 * 10 \text{MM}$ 4PCS</p>	<p>C</p>  <p>$\phi 4 * 22 \text{MM}$ 4PCS</p>	<p>D</p>  <p>8+1PCS</p>
<p>E</p>  <p>2SETS</p>	<p>F</p>  <p>$\phi 3 * 12 \text{MM}$ 4PCS</p>	<p>G</p>  <p>4PCS</p>	<p>H</p>  <p>4PCS</p>
<p>I</p>  <p>$\phi 4 * 14 \text{MM}$ 48+2PCS</p>	<p>J</p>  <p>38+2PCS</p>	<p>K</p>  <p>38+2PCS</p>	<p>L</p>  <p>$\phi 6 * 30 \text{MM}$ 23+2PCS</p>
<p>M</p>  <p>$\phi 4 * 30 \text{MM}$ 10+1PCS</p>	<p>N</p>  <p>2PCS</p>	<p>O</p>  <p>2PCS</p>	<p>P</p>  <p>$\phi 3.5 * 12 \text{MM}$ 24+2PCS</p>
<p>Q</p>  <p>8+1PCS</p>	<p>R</p>  <p>$\phi 3 * 16 \text{MM}$ 12+1PCS</p>	<p>S</p>  <p>$\phi 4 * 40 \text{MM}$ 2PCS</p>	<p>T</p>  <p>2PCS</p>
<p>U</p>  <p>$\phi 4 * 35 \text{MM}$ 2PCS</p>	<p>W</p>  <p>2PCS</p>	<p>X</p>  <p>$\phi 4 * 15 \text{MM}$ 2PCS</p>	<p>Y</p>  <p>$\phi 4 * 12 \text{MM}$ 4PCS</p>
<p>DL</p>  <p>DLx2PCS</p>		<p>CL</p>  <p>CLx2PCS</p>	
<p>CR</p>  <p>CRx2PCS</p>		<p>DR</p>  <p>DRx2PCS</p>	

STEP 1



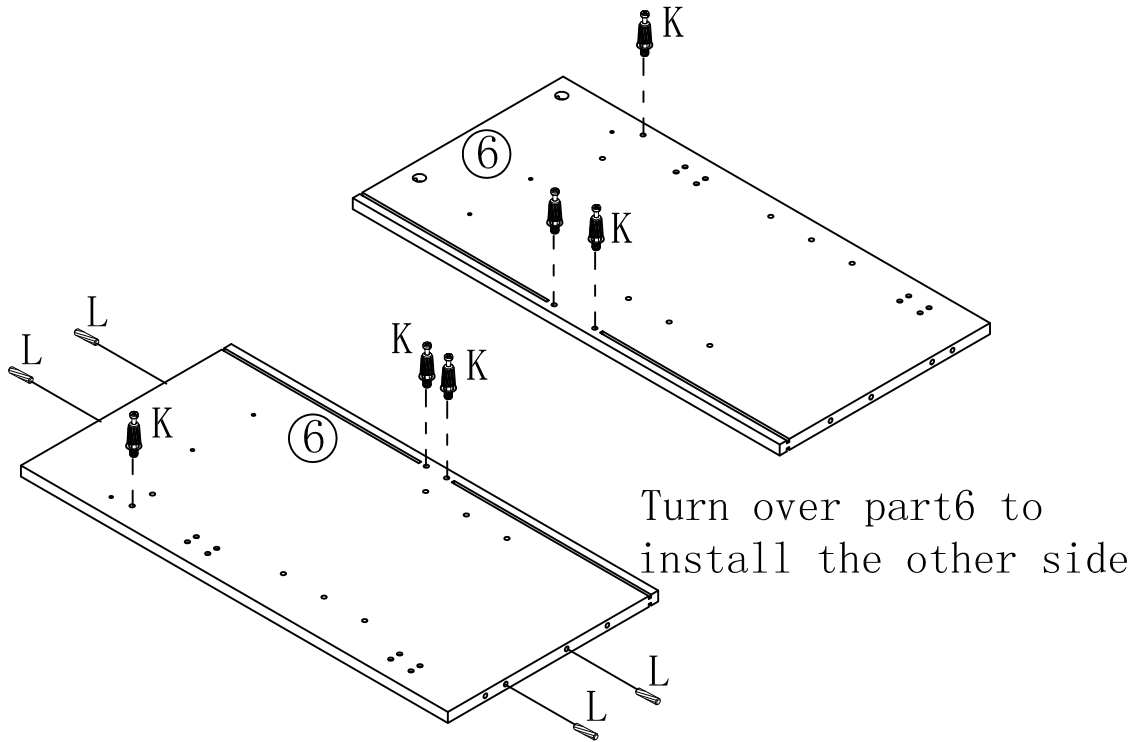
	L*2PCS		K*12PCS
	N*1PCS		O*1PCS
	T*2PCS		X*2PCS

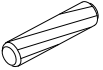

STEP 2



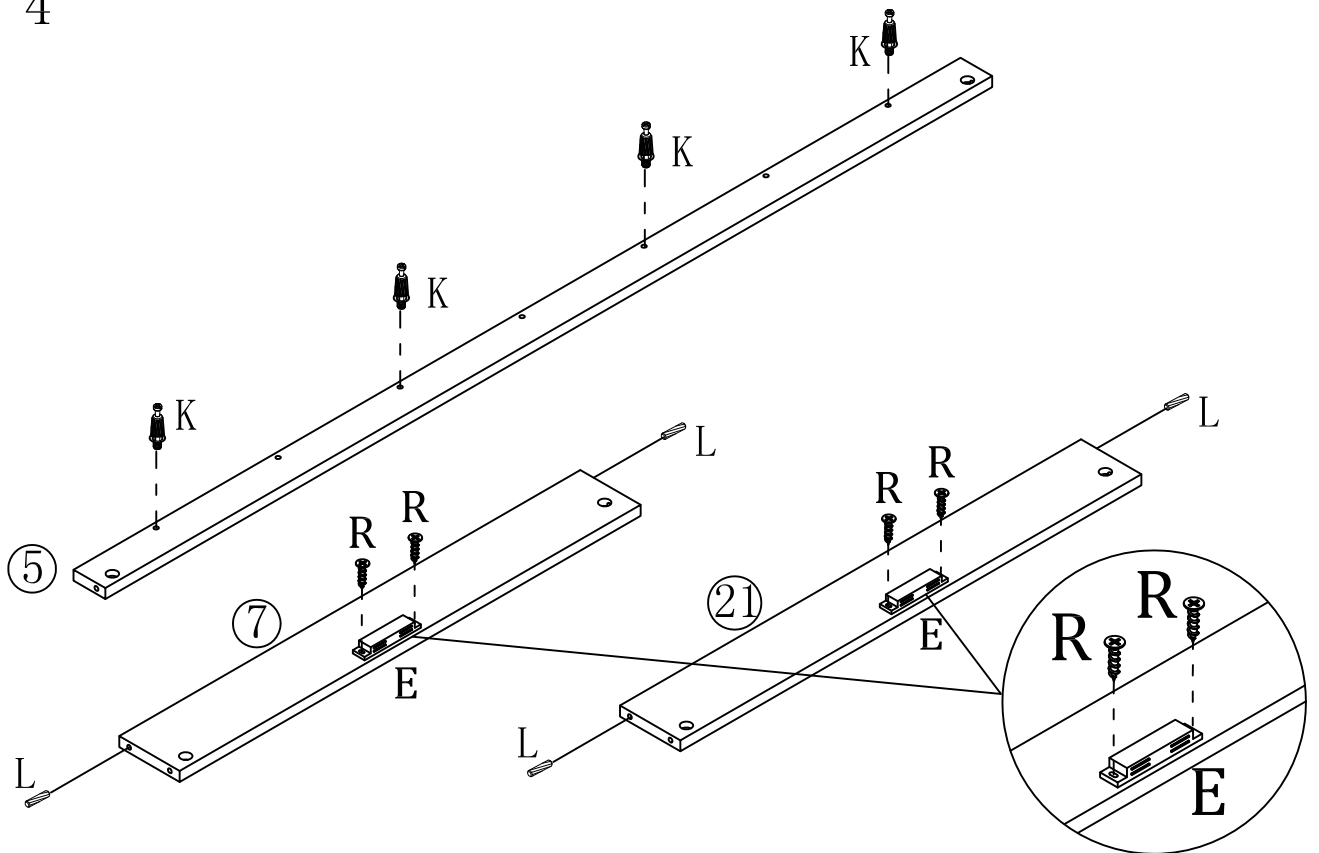
	L*9PCS		K*6PCS		N*1PCS		O*1PCS
--	--------	--	--------	--	--------	--	--------

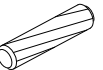
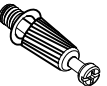
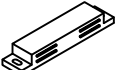

STEP 3



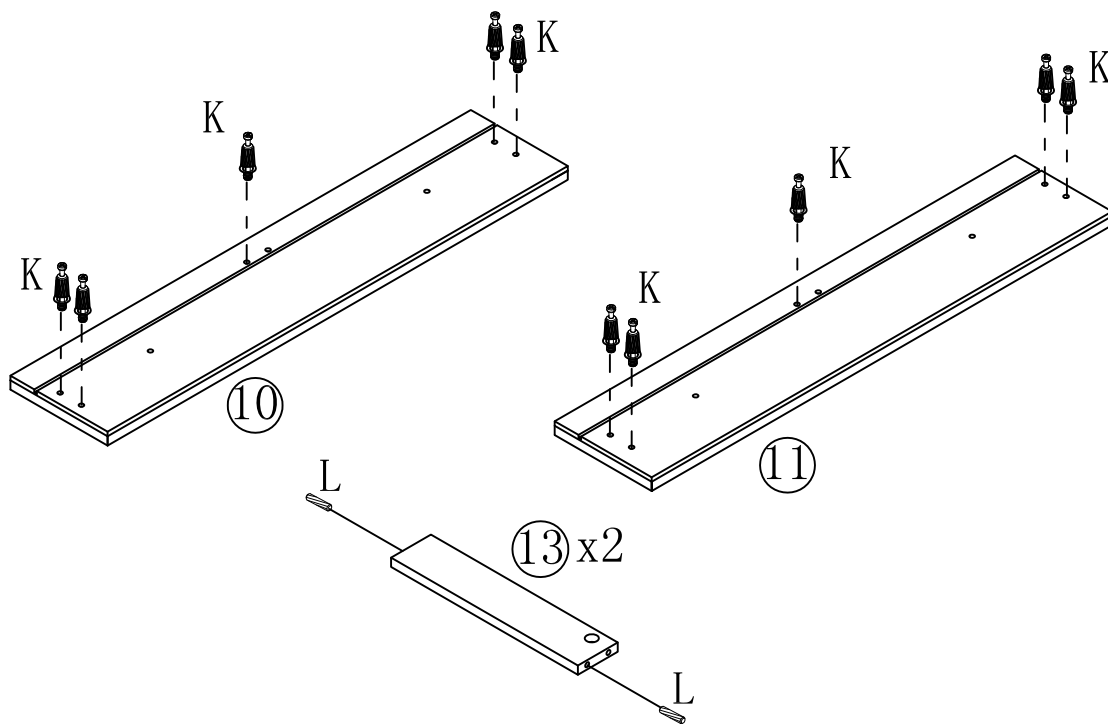
	L*4PCS		K*6PCS
---	--------	--	--------

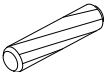
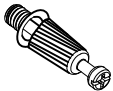
STEP 4



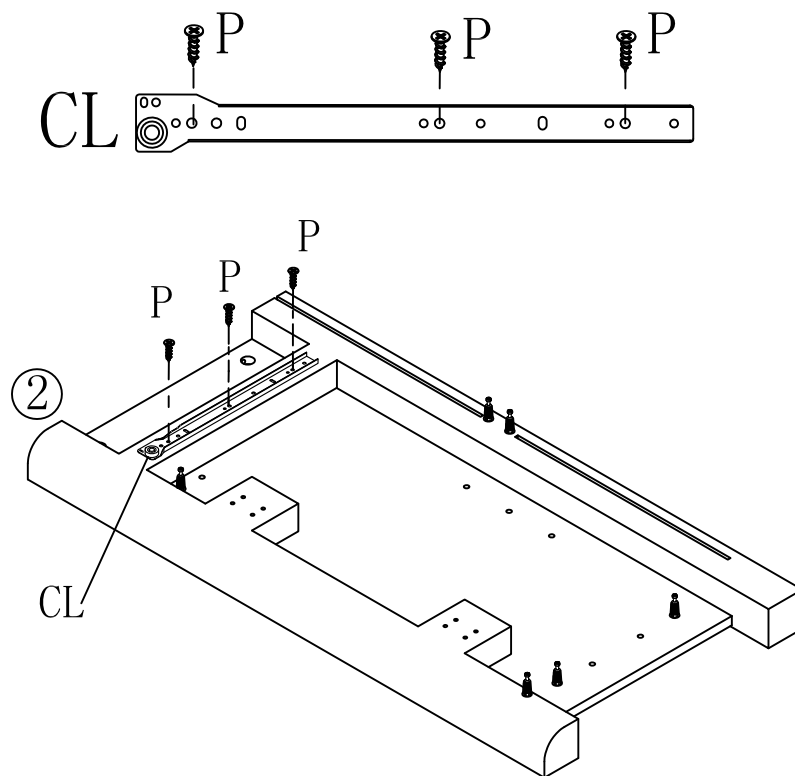
	L*4PCS		K*4PCS		E*2PCS		R*4PCS
--	--------	---	--------	---	--------	---	--------


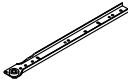
STEP 5



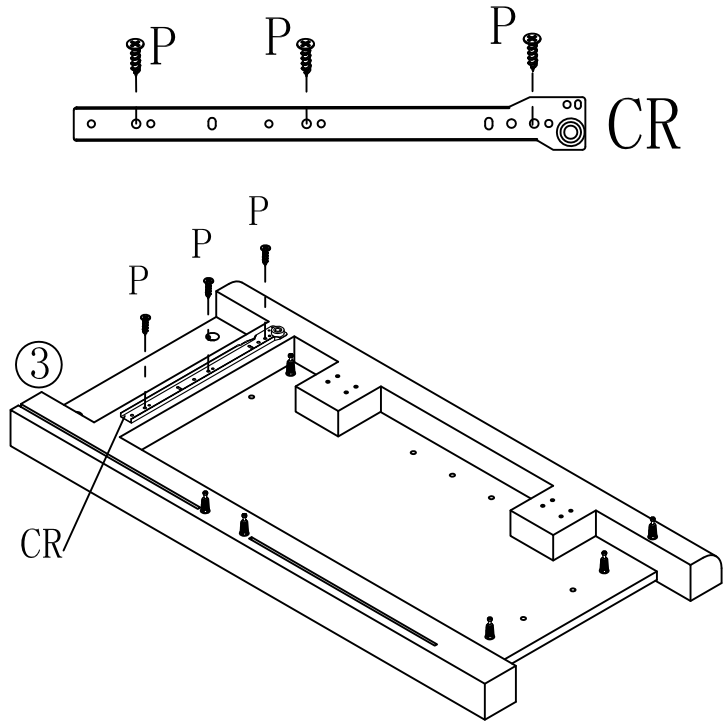
	L*4PCS		K*10PCS
--	--------	--	---------


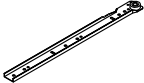
STEP 6



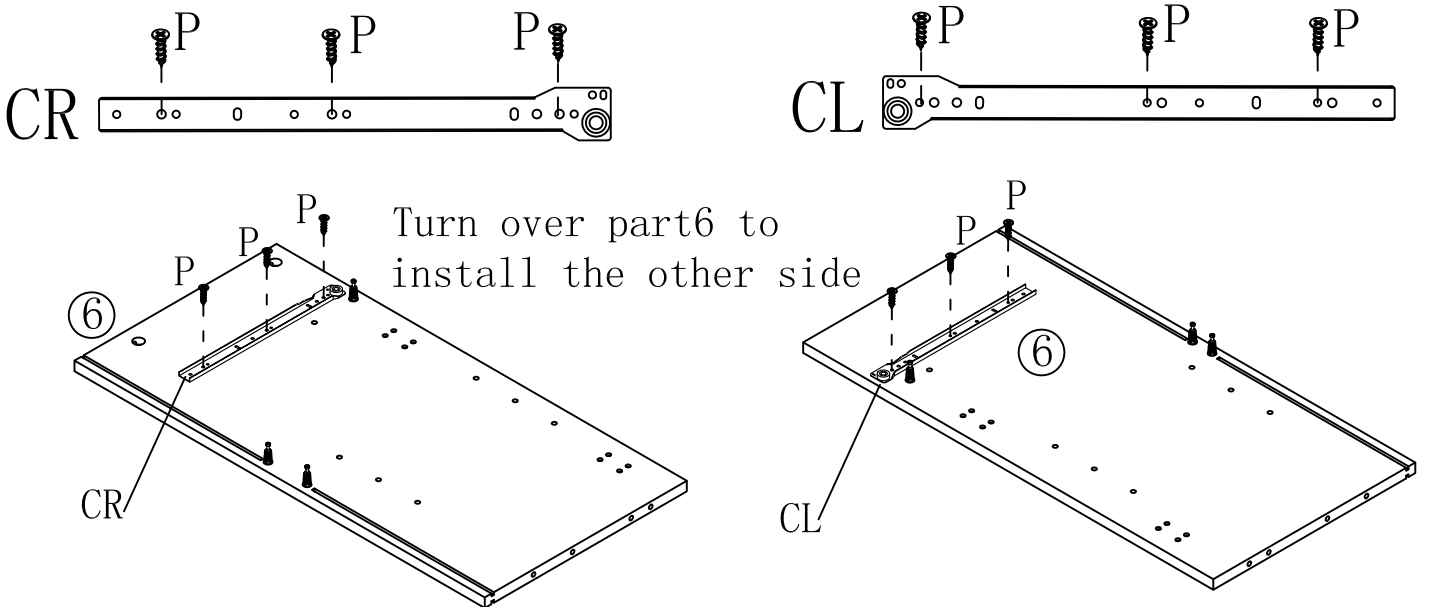
	P*3PCS		CL*1PCS
---	--------	---	---------


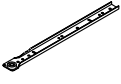
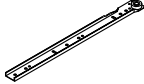
STEP 7



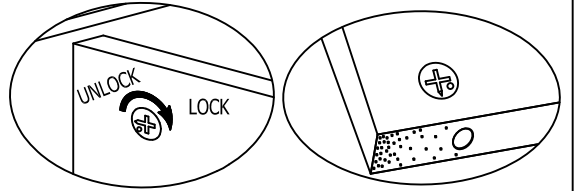
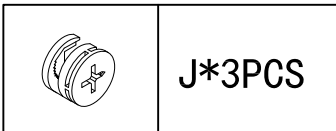
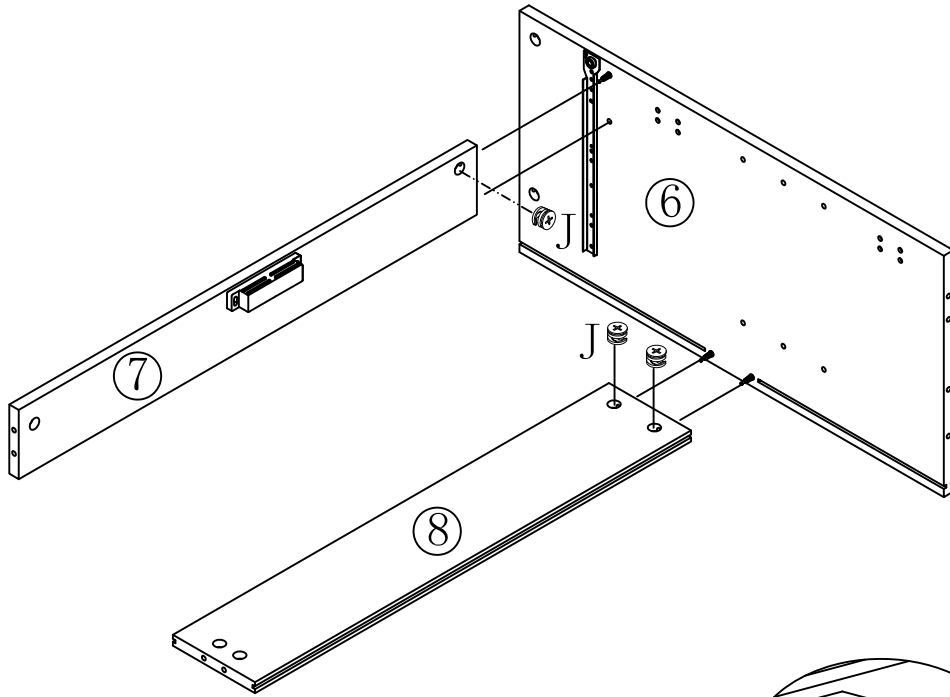
	P*3PCS		CR*1PCS
--	--------	---	---------

STEP 8

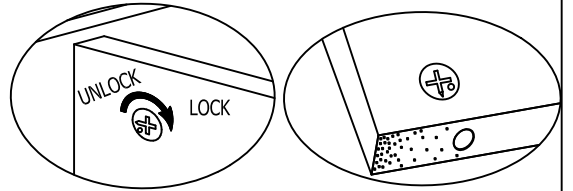
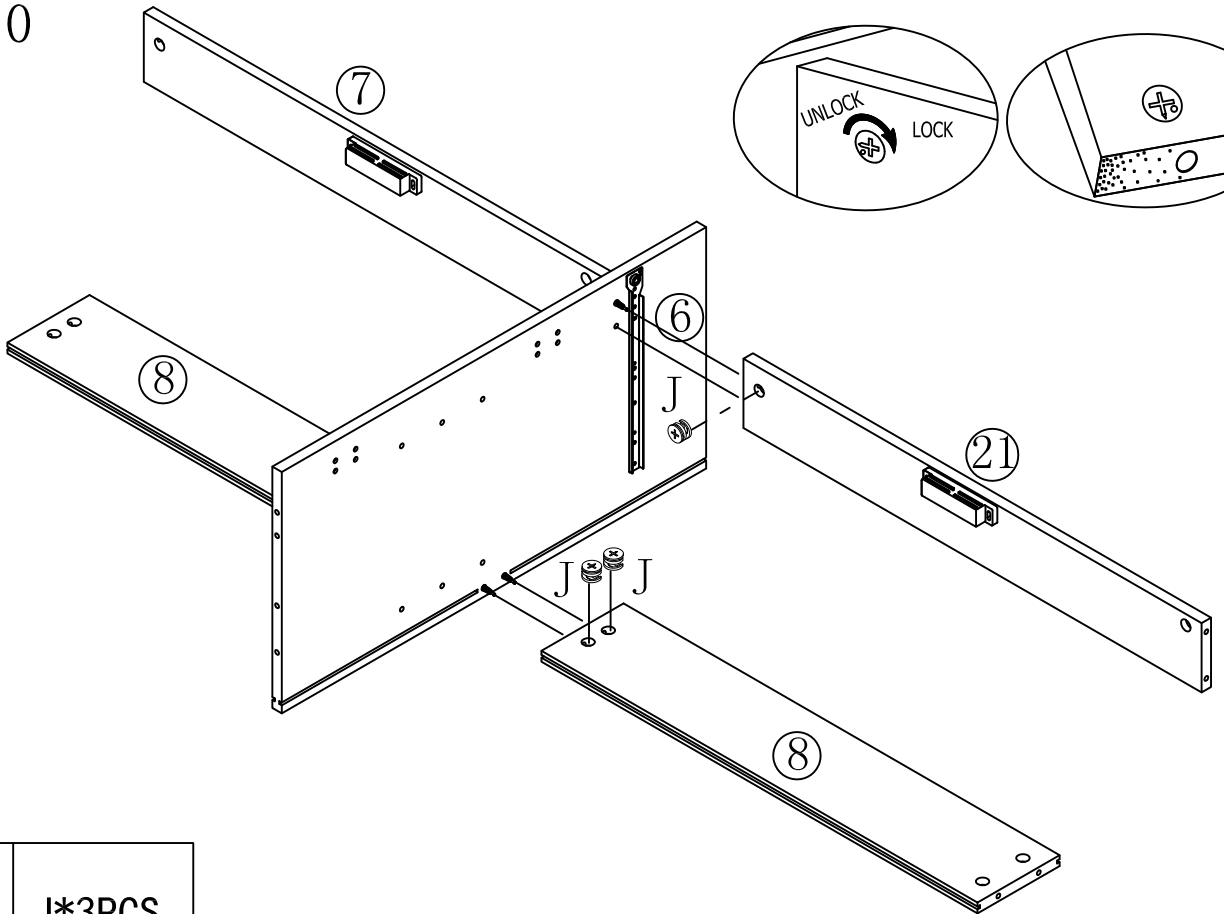


	P*6PCS		CL*1PCS		CR*1PCS
---	--------	---	---------	---	---------

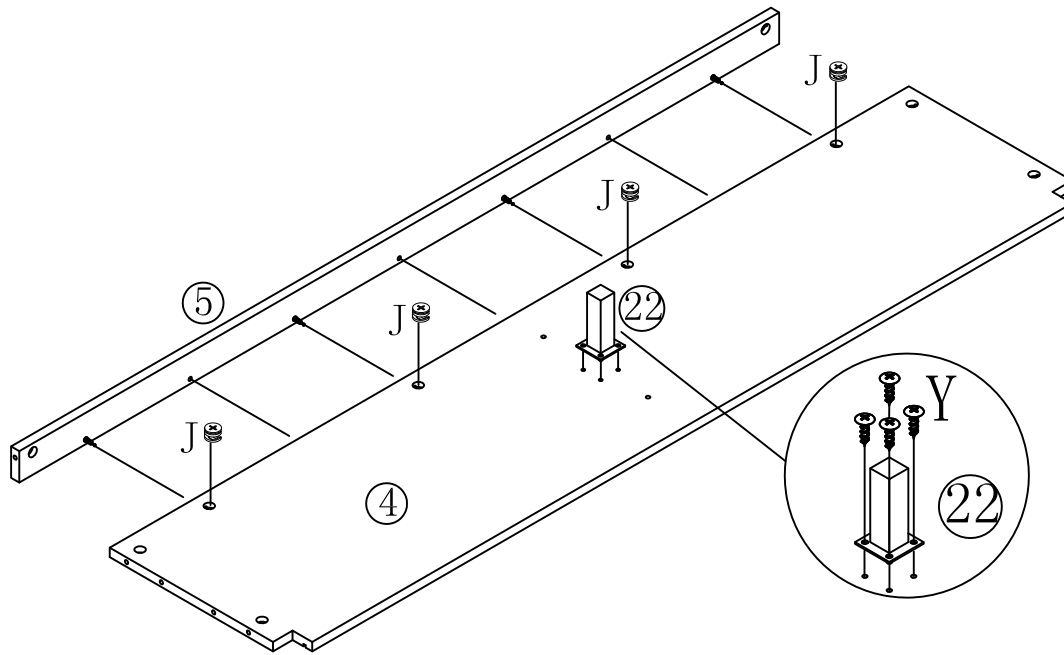
STEP 9

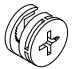



STEP 10

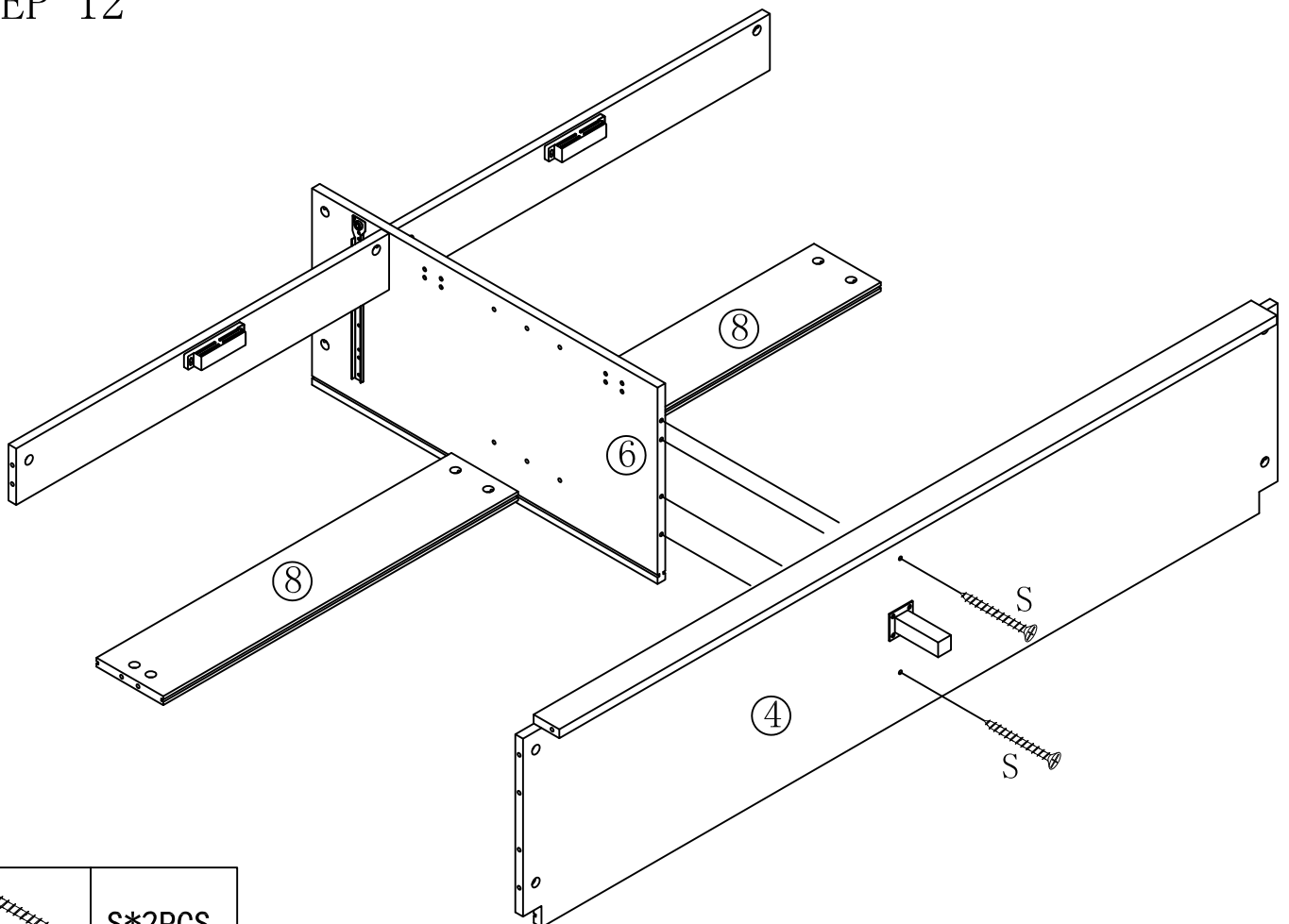


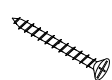
STEP 11



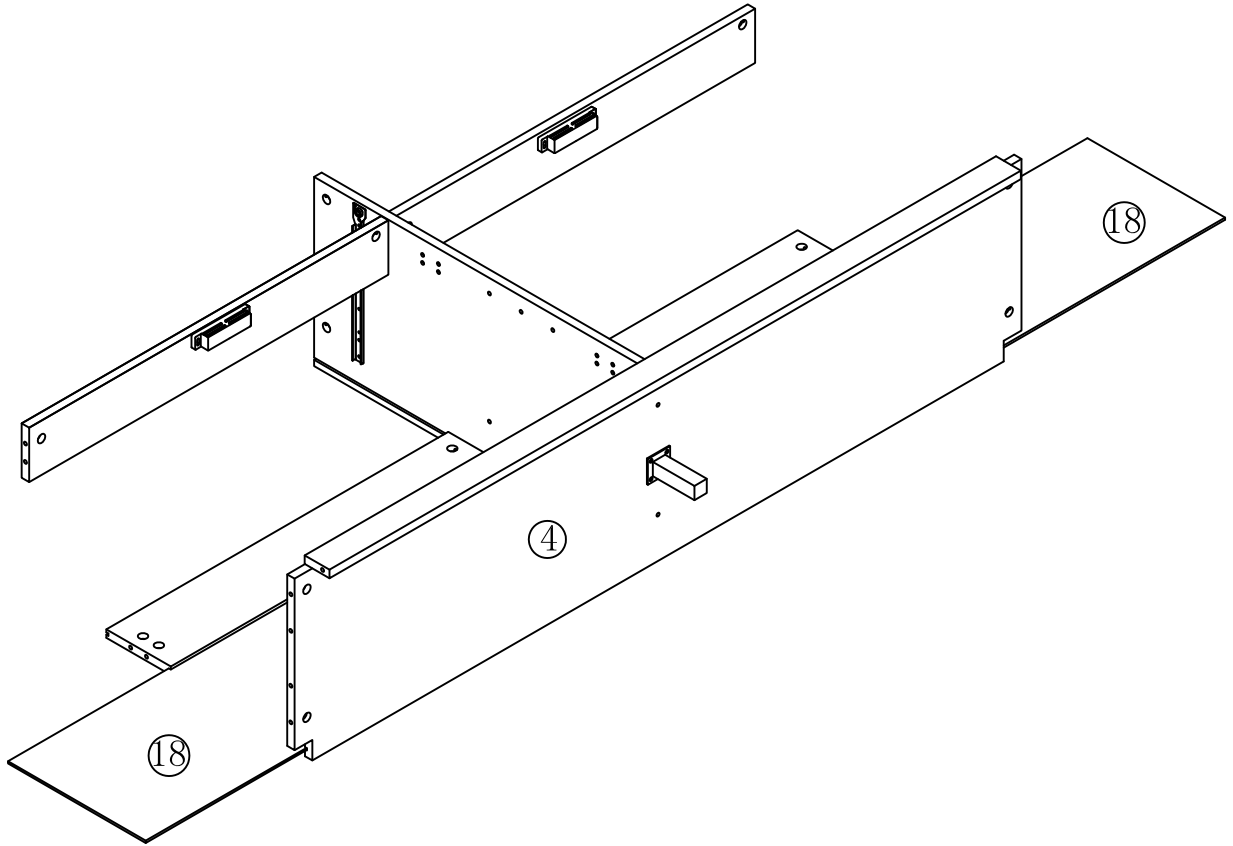
	J*4PCS		Y*4PCS
---	--------	--	--------

STEP 12

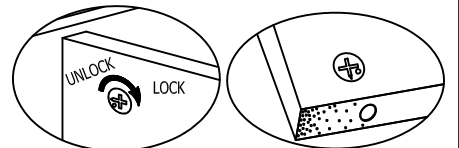
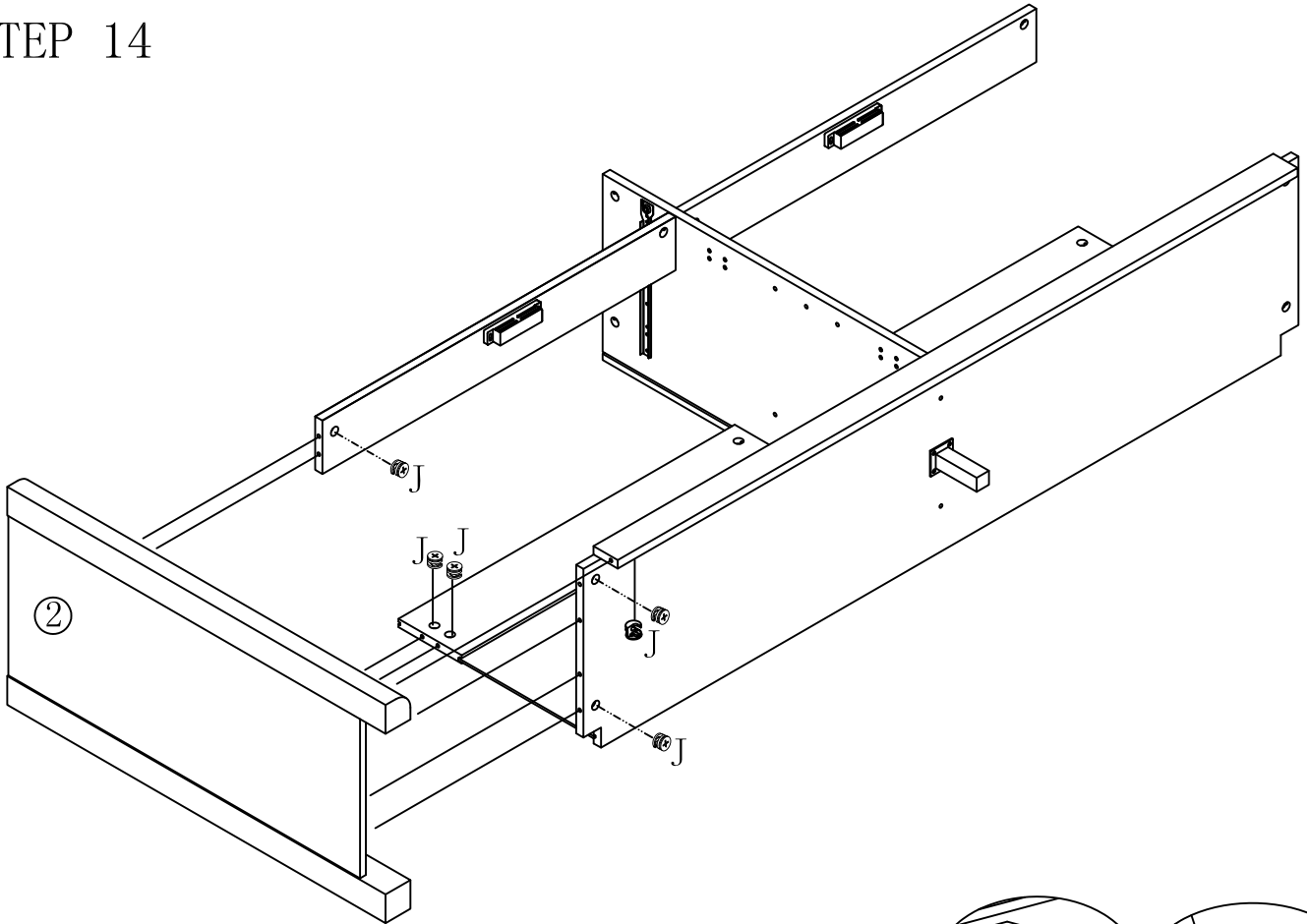


	S*2PCS
--	--------

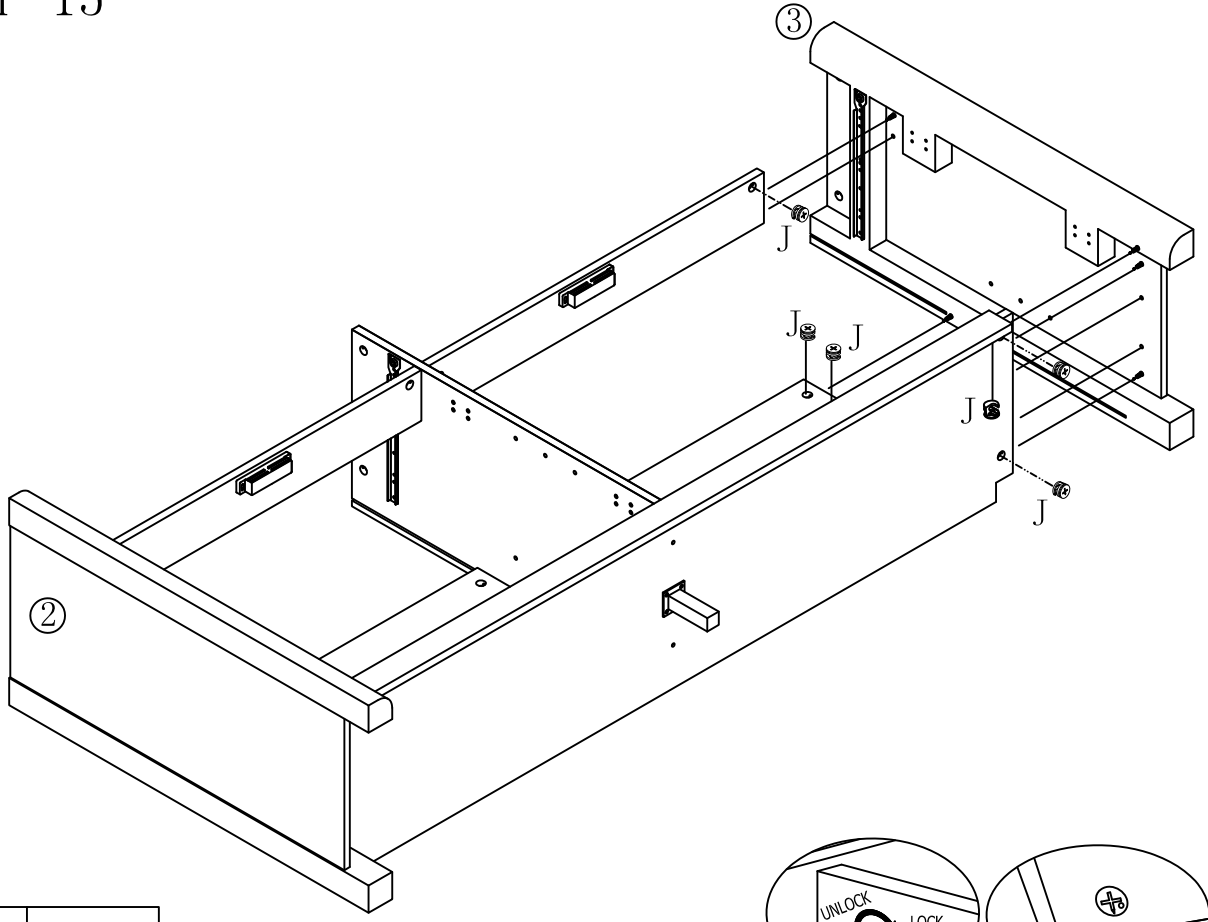
STEP 13




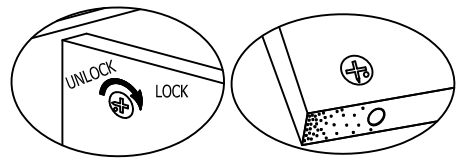
STEP 14



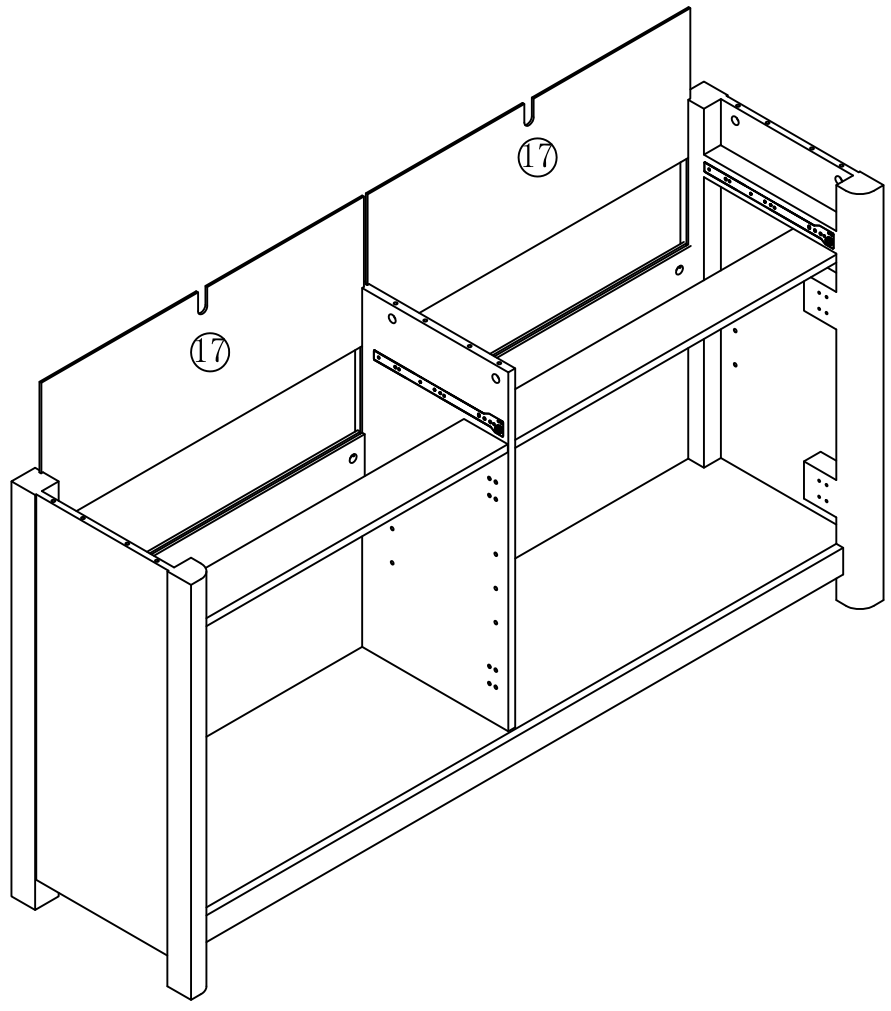
STEP 15



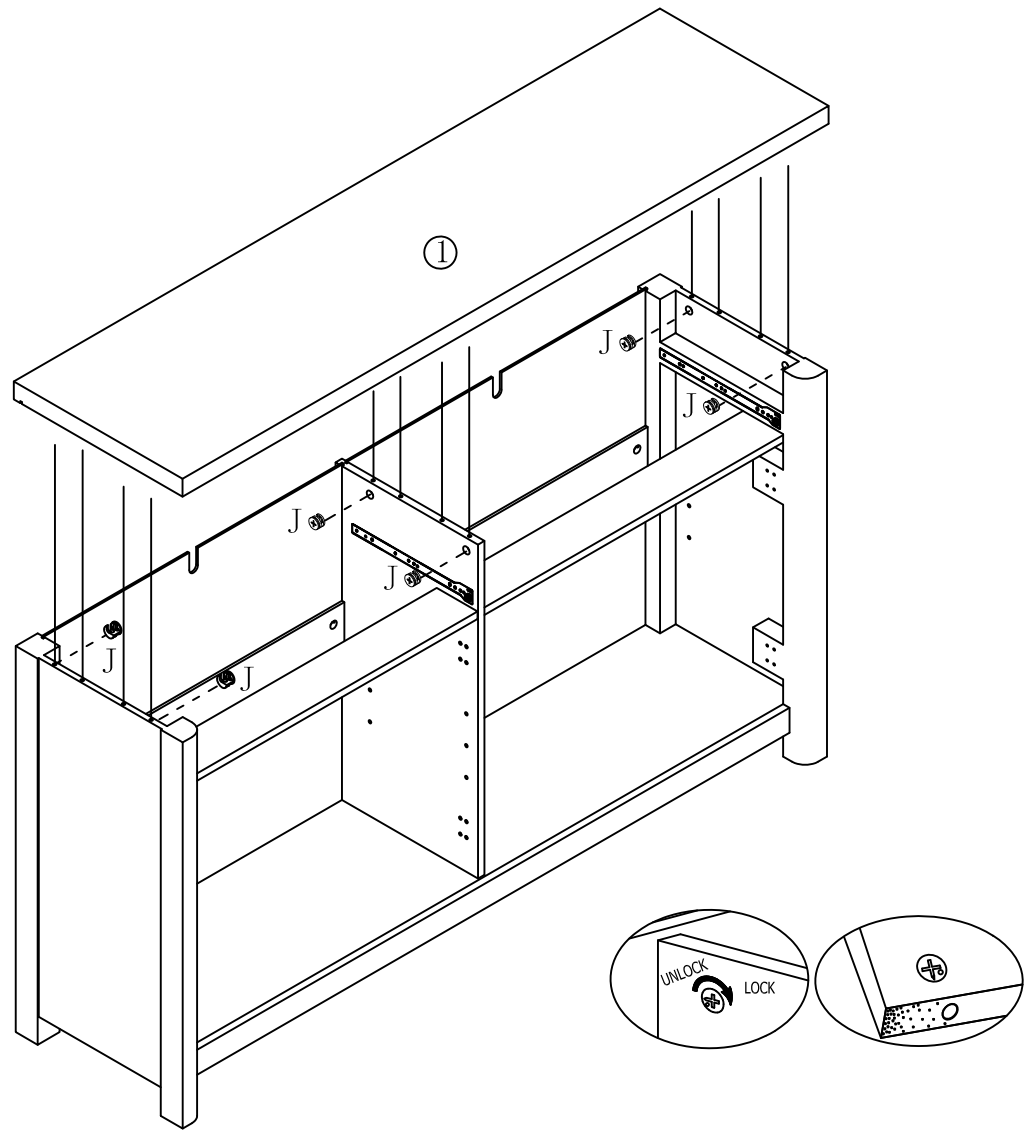
	J*6PCS
---	--------



STEP 16

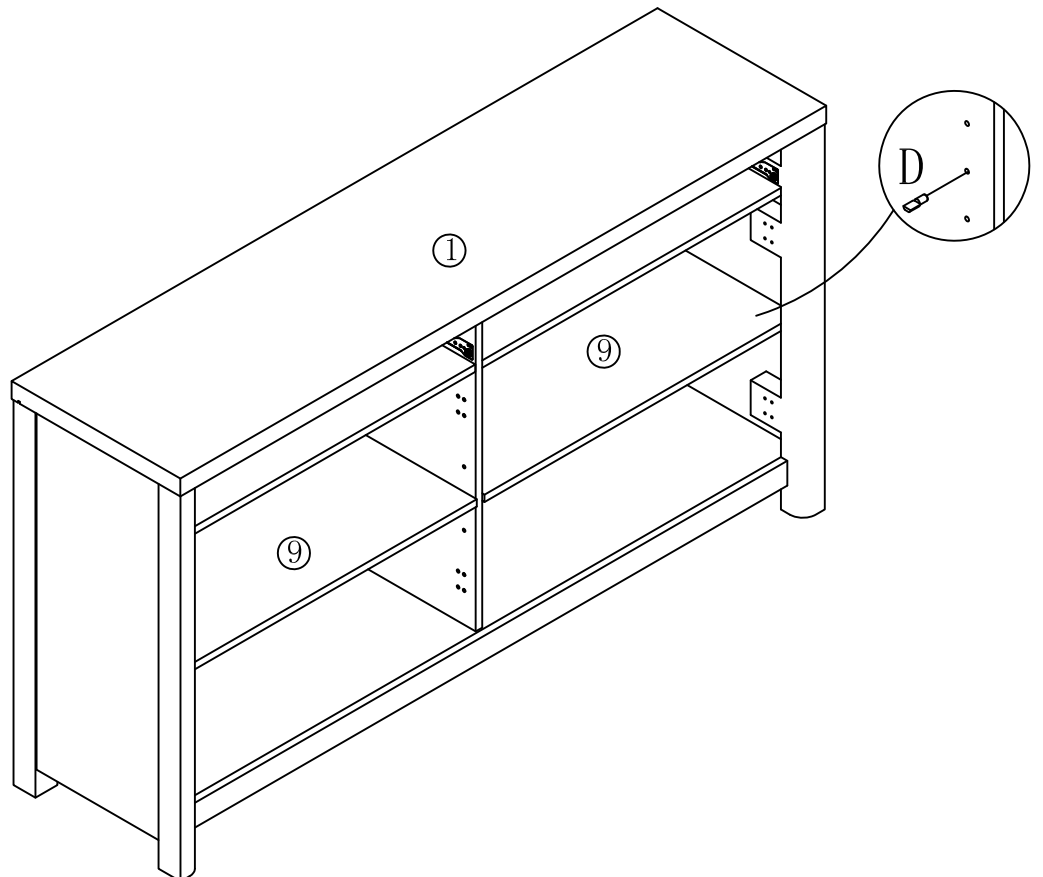



STEP 17



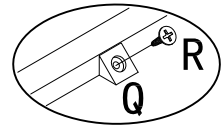
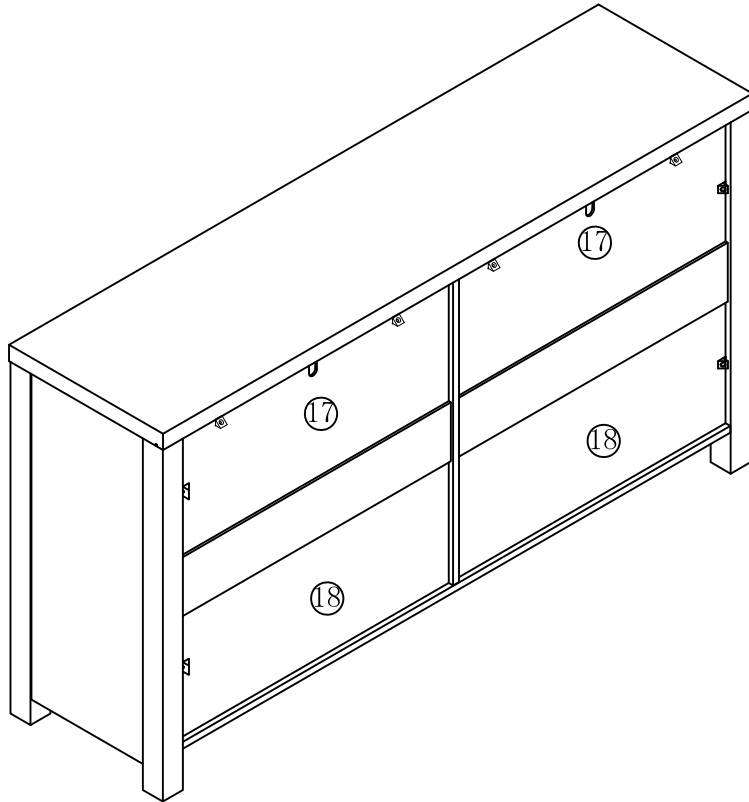
	J*6PCS
---	--------

STEP 18



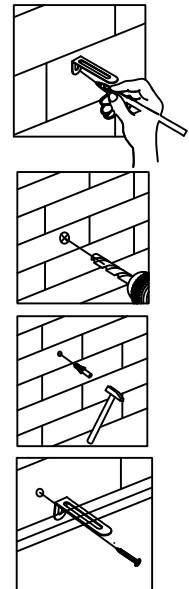
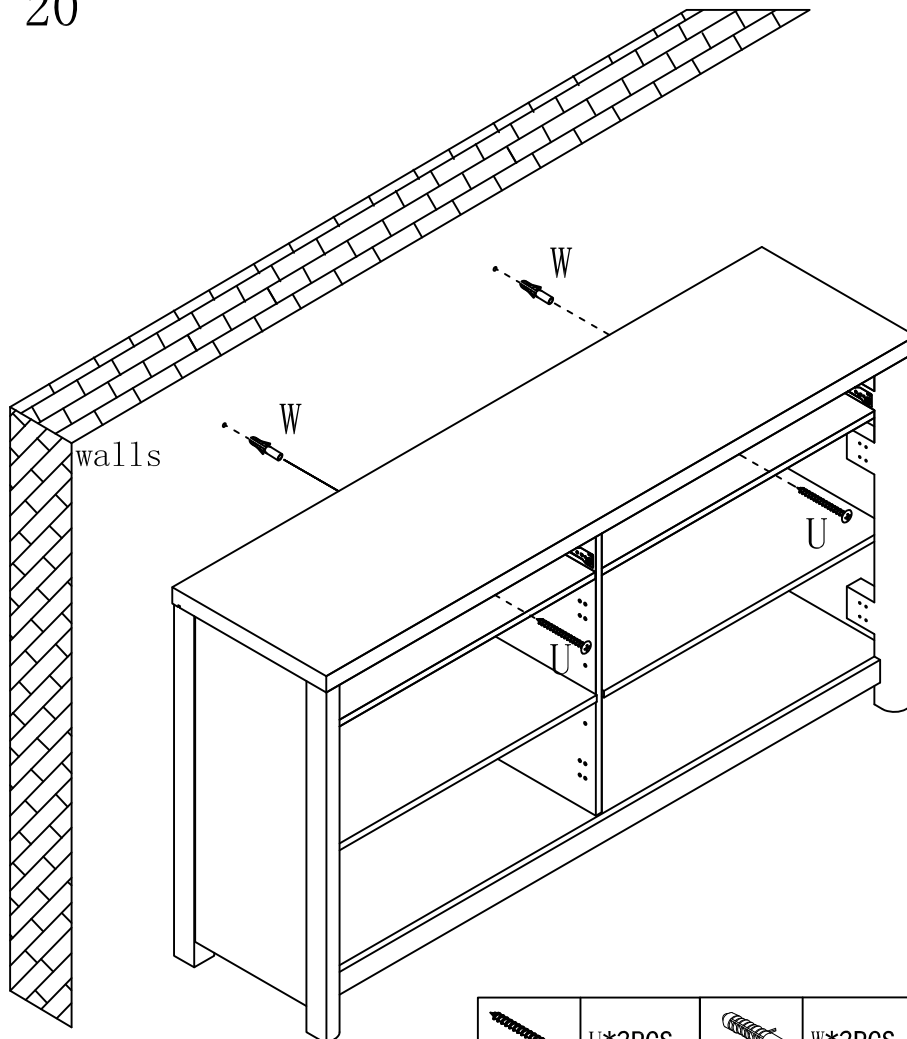
	D*8PCS
---	--------



STEP 19



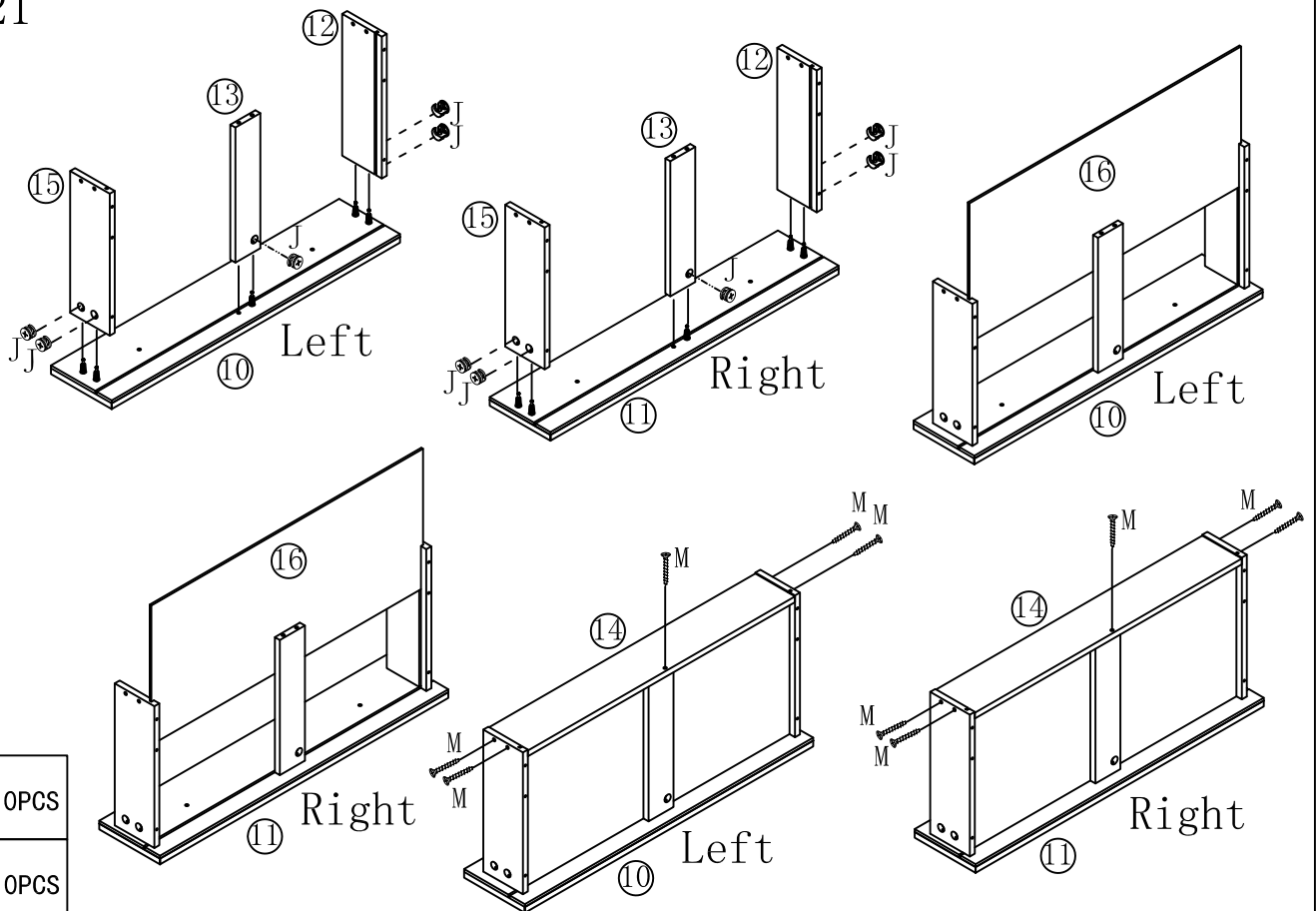
	Q*8PCS		R*8PCS
--	--------	--	--------

STEP 20



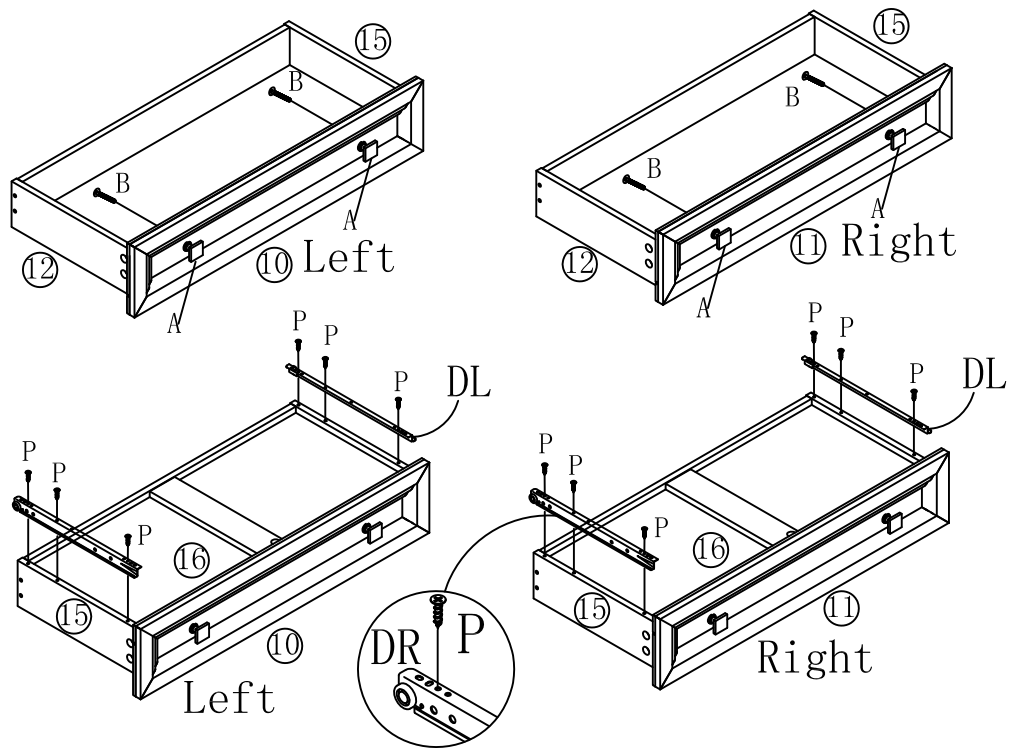
	U*2PCS		W*2PCS
---	--------	--	--------

STEP 21



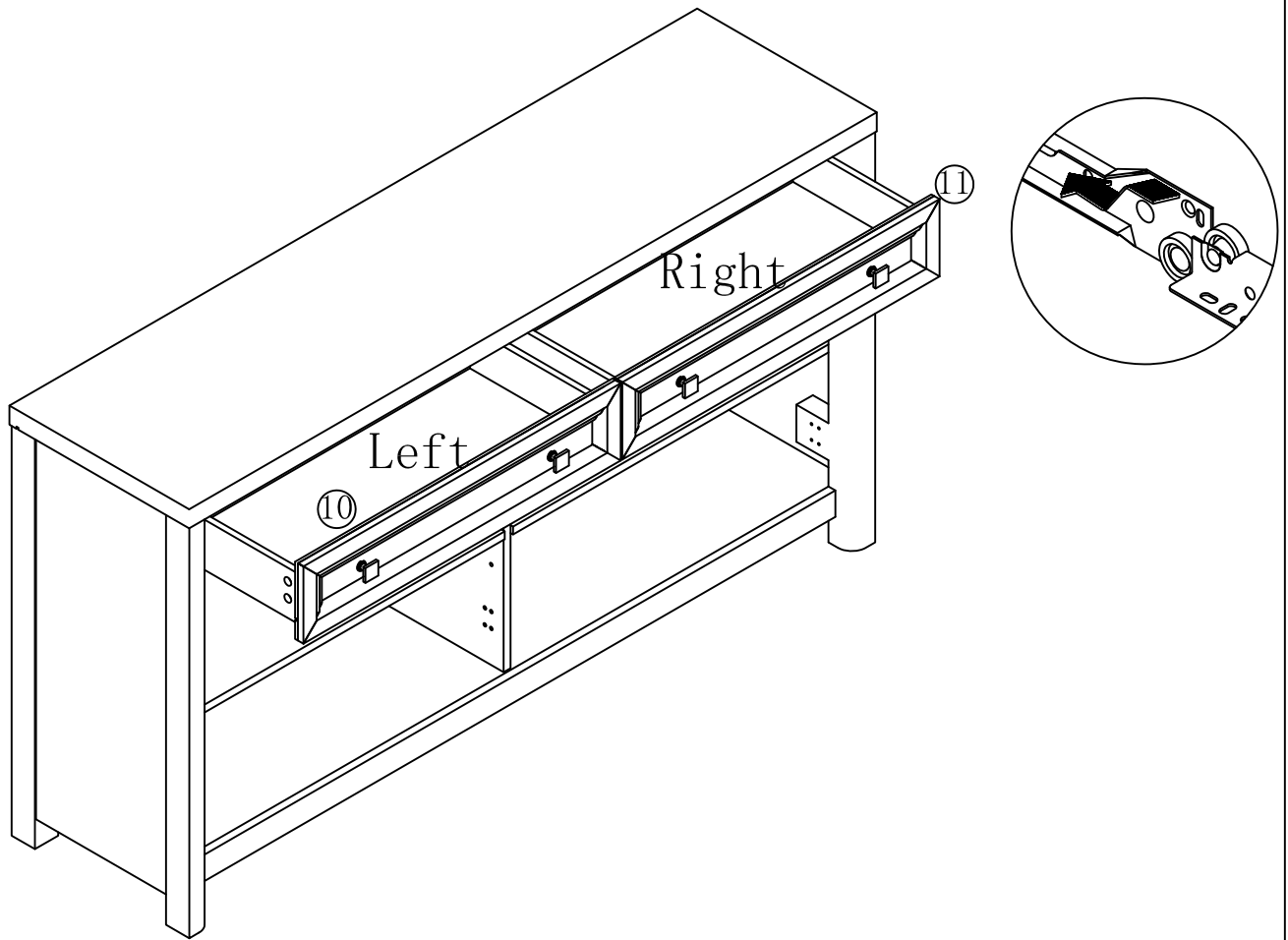
	J*10PCS
	M*10PCS

STEP 22

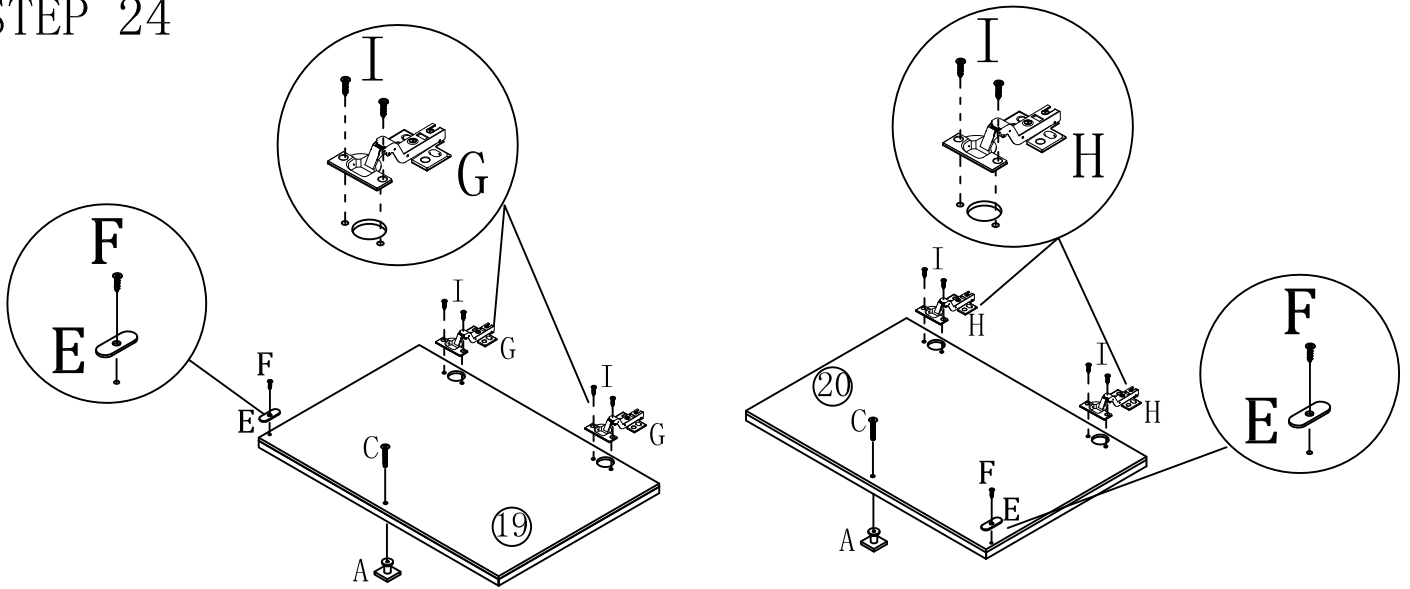






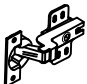
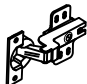

	A*4PCS
	B*4PCS
	P*12PCS
	DL*2PCS
	DR*2PCS

STEP 23

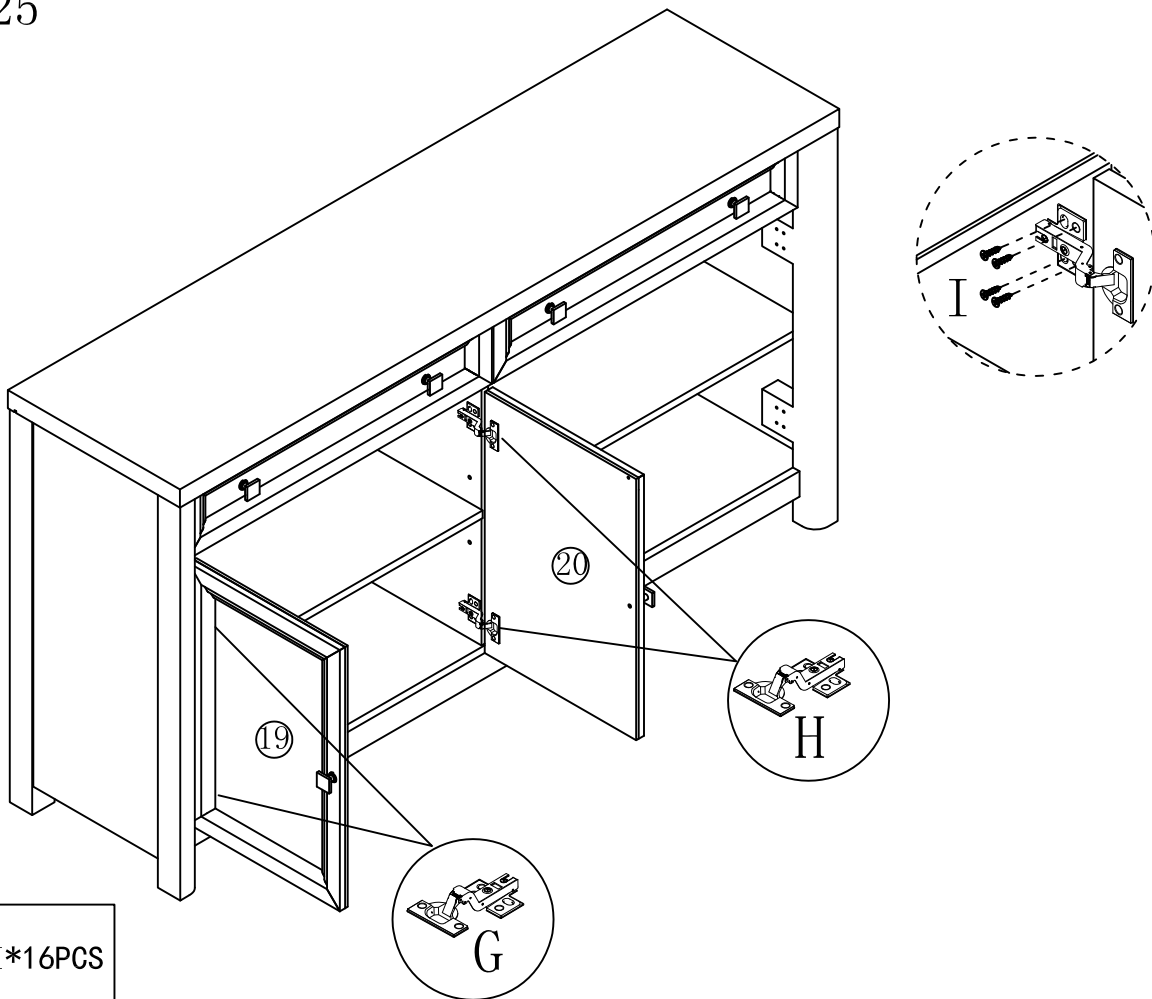


STEP 24

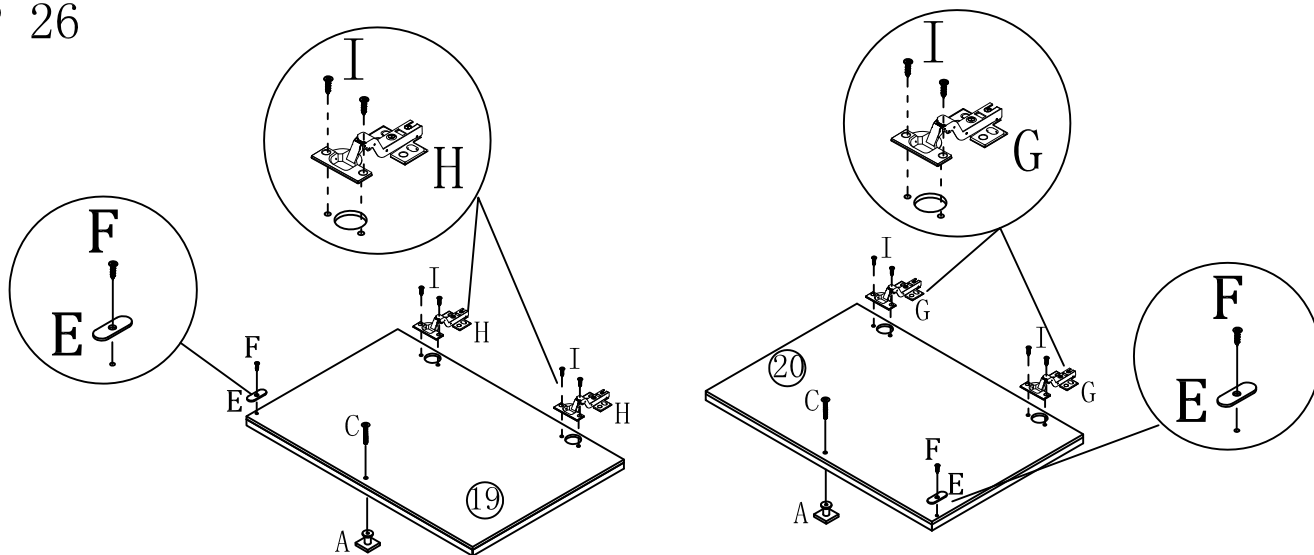






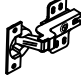


	A*2PCS		C*2PCS		E*2PCS		F*2PCS
	G*2PCS		H*2PCS		I*8PCS		

STEP 25

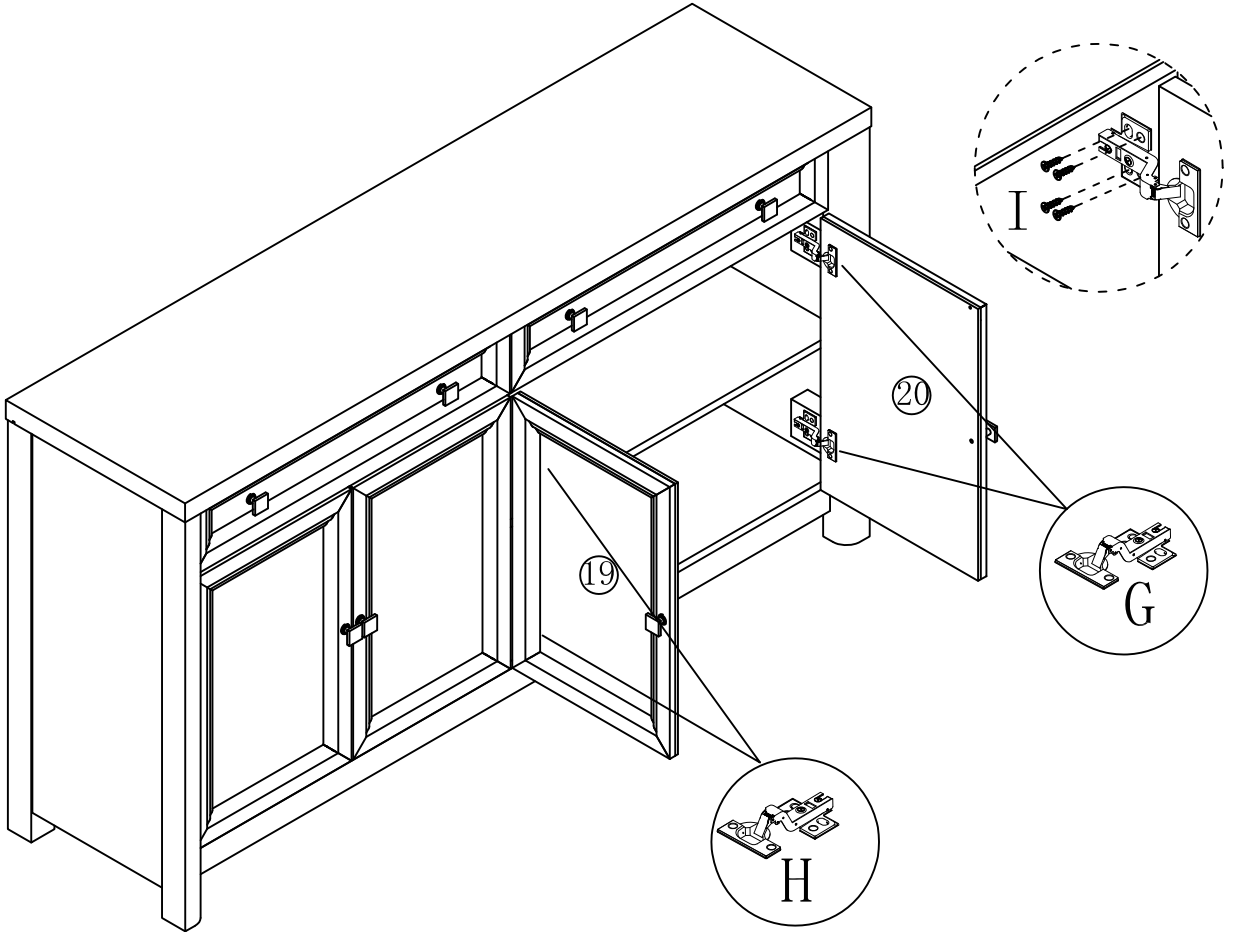



STEP 26



	A*2PCS		C*2PCS		E*2PCS		F*2PCS
	G*2PCS		H*2PCS		I*8PCS		

STEP 27



 I*16PCS

